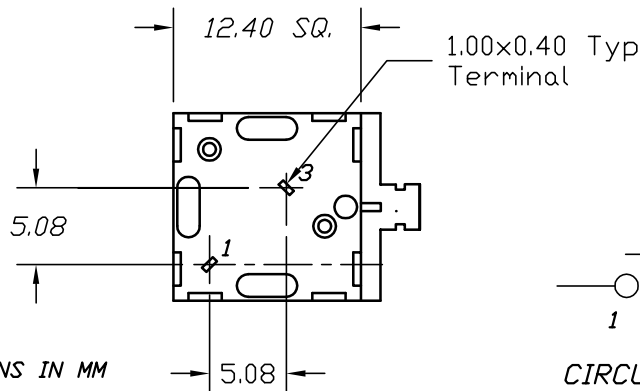
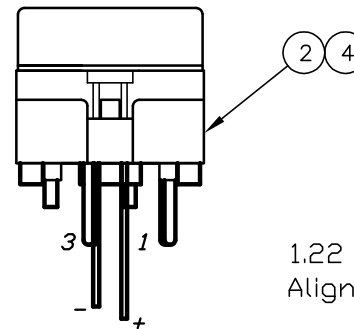
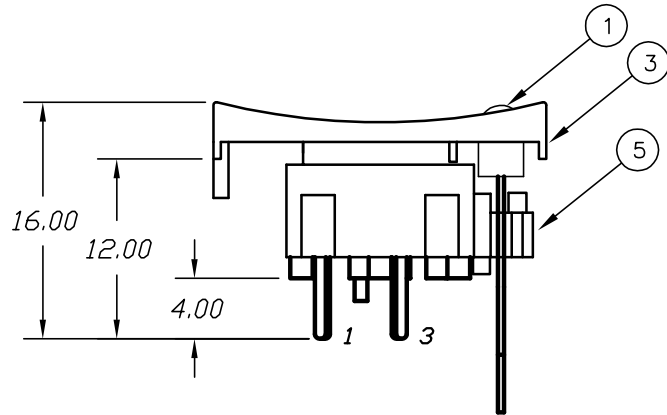
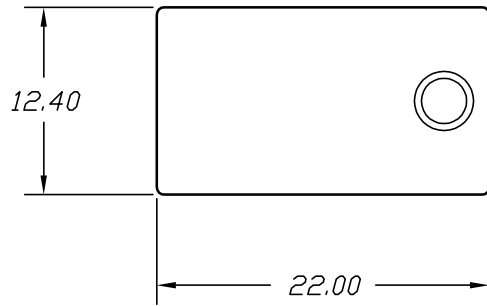
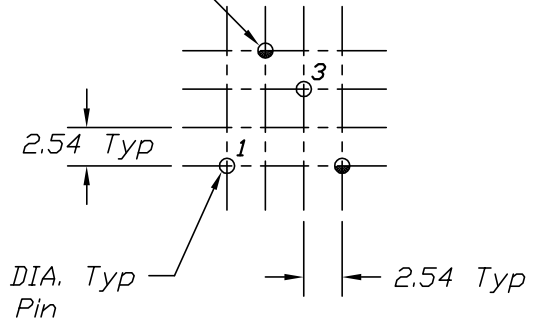


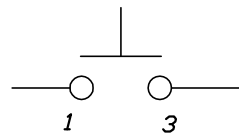
ITEM	QTY.	DWG NO.	PART NO.
1	1	D062004	RED LED
2	1	B01ME11	320 E1-1 BODY
3	1	B042000	320.2 CAP BLK
4	1	B050001	320 E1-1 CONTACT DOME
5	1	B070001	320.2 LED HOLDER



1.22 DIA. Typ.  
Alignment Pin.



RECOMMEND P.C.B LAYOUT



CIRCUIT: SPST  
CONTACT CONFIGURATION

NOTES:

1. ALL DIMENSIONS IN MM
2. TERM. NOS. FOR REF ONLY
3. CONTACT RATING: 25mA/50VDC
4. TRAVEL: .7mm (.028")
5. OPERATING FORCE: 120gf

**E-SWITCH®**

REV.	ECN No.	DESCRIPTION	DATE	CHKD
B	14108	REMOVE TEXT	6/21/04	AR
A	13781	RELEASED FOR PRODUCTION	2/17/04	AR

TITLE				
320.2E11BLKW/REDLED				
SCALE	DATE	DR	DWG	REV
2:1	2/17/04	AR	XB0271A	B

THE INFORMATION CONTAINED IN THIS DOCUMENT IS PROPRIETARY TO E-SWITCH AND IS NOT TO BE COPIED OR TRANSFERRED