

# TEA1716T

## Resonant power supply control IC with PFC

Rev. 3 — 30 November 2012

Product data sheet

### 1. General description

---

The TEA1716T integrates a Power Factor Corrector (PFC) controller and a controller for a Half-Bridge resonant Converter (HBC) in a multi-chip IC. It provides the drive function for the discrete MOSFET in an up-converter and for the two discrete power MOSFETs in a resonant half-bridge configuration.

Efficient PFC operation is achieved by implementing functions for Quasi-Resonant (QR) operation at high-power levels and QR operation with valley skipping at lower power levels. OverCurrent Protection (OCP), OverVoltage Protection (OVP) and demagnetization sensing ensure safe operation under all conditions.

The HBC module is a high-voltage controller for a zero-voltage switching LLC resonant converter. It contains a high-voltage level shift circuit and several protection circuits including OCP, open-loop protection, capacitive mode protection and a general purpose latched protection input.

The high-voltage chip is fabricated using a proprietary high-voltage Bipolar-CMOS-DMOS power logic process enabling efficient direct start-up from the rectified universal mains voltage. The low-voltage Silicon-On-Insulator (SOI) chip is used for accurate, high-speed protection functions and control.

TEA1716T controlled PFC circuit and resonant converter are very flexible. It can be used for a broad range of applications over a wide mains voltage range. Combining PFC and HBC controllers in a single IC makes the TEA1716T ideal for controlling power supplies in LCD and plasma televisions.

Using the TEA1716T highly efficient and reliable power supplies providing from 90 W to 500 W can be designed easily using the TEA1716T, with a minimum of external components.

The integrated Burst mode and power management functionality of TEA1716T enable resonant applications that meet the Energy Using Product Directive (EuP) lot 6 (< 0.5 W in Standby mode).

**Remark:** Unless otherwise stated, all values are typical.



## 2. Features and benefits

---

### 2.1 General features

- Integrated PFC and HBC controllers
- Universal mains supply operation from 70 V to 276 V (AC)
- High level of integration resulting in a low external component count and a cost effective design
- Integrated Burst mode sensing
- Compliant with Energy Using Product Directive (EuP) lot 6
- Enable input to enable only the PFC or both the PFC and HBC controllers
- On-chip high-voltage start-up source
- Stand-alone operation or IC supplied from external DC source

### 2.2 PFC controller features

- Boundary mode operation with on-time control
- Valley/zero-voltage switching for minimum switching losses
- Frequency limiting to reduce switching losses
- Accurate boost voltage regulation
- Burst mode switching with soft-start and soft stop

### 2.3 HBC controller features

- Integrated high-voltage level shifter
- Adjustable minimum and maximum frequency
- Maximum 500 kHz half-bridge switching frequency
- Adaptive non-overlap time
- Burst mode switching

### 2.4 Protection features

- Safe restart mode for system fault conditions
- General latched protection input for output overvoltage protection or external temperature protection
- Protection timer for time-out and restart
- Overtemperature protection
- Soft (re)start for both controllers
- Undervoltage protection for mains (brownout), boost, IC supply and output voltage
- Overcurrent regulation and protection for both controllers
- Accurate overvoltage protection for the boost voltage
- Capacitive mode protection for the HBC controller

### 3. Applications

- LCD television
- Plasma television
- Notebook adapter
- Desktop and all-in-one PCs

### 4. Ordering information

Table 1. Ordering information

Type number	Package		
	Name	Description	Version
TEA1716T/2	SO24	plastic small outline package; 24 leads; body width 7.5 mm	SOT137-1

5. Block diagram

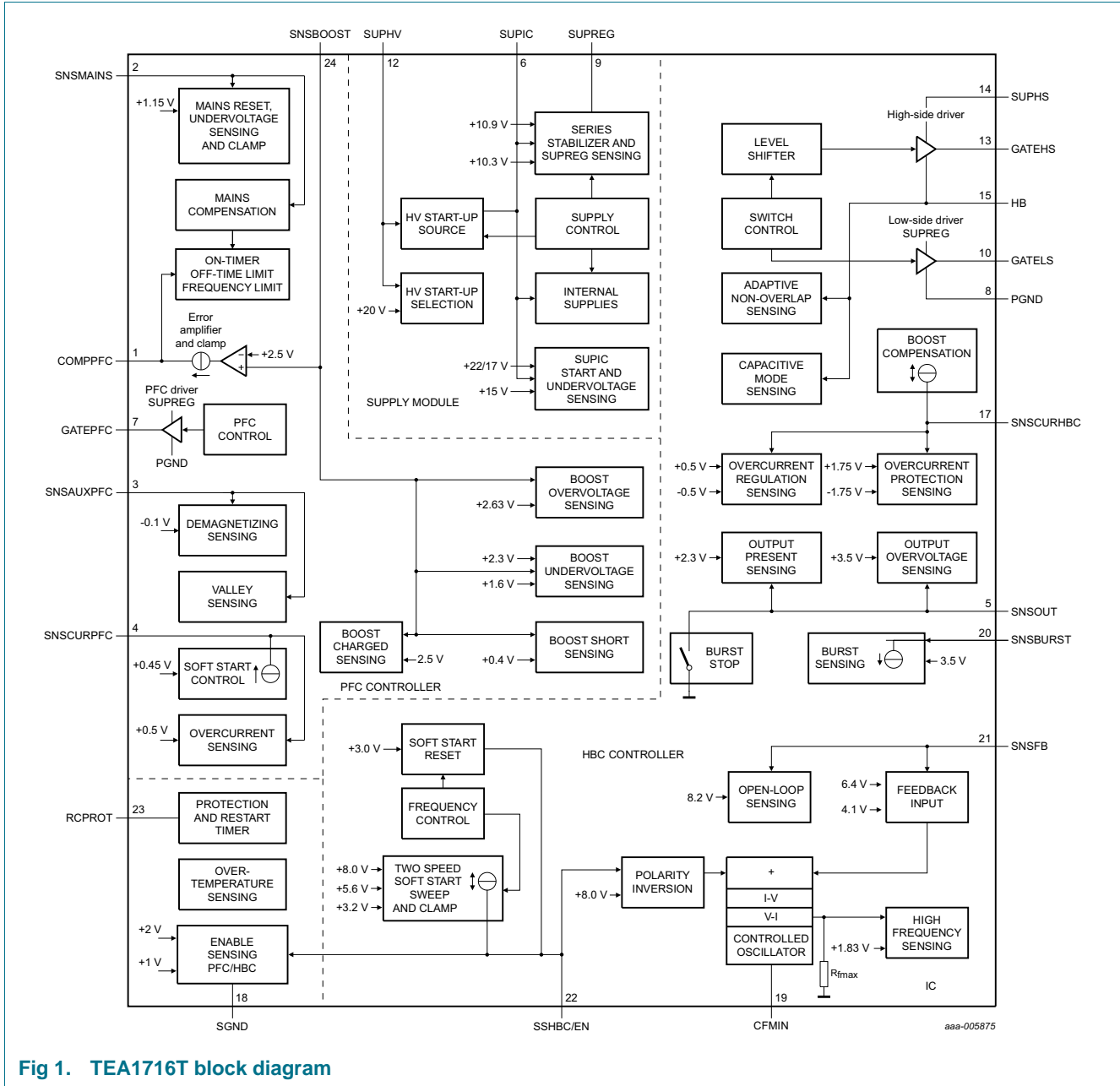


Fig 1. TEA1716T block diagram

## 6. Pinning information

### 6.1 Pinning

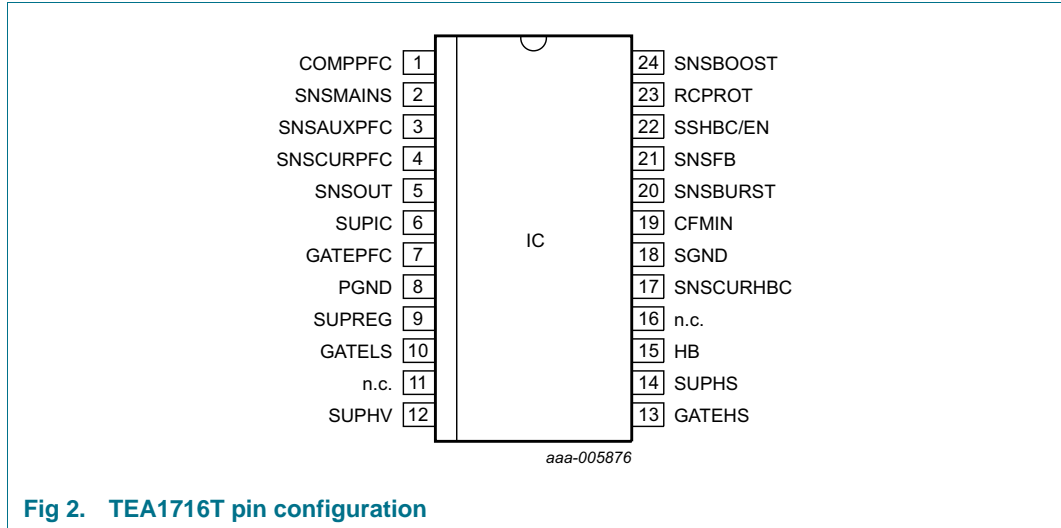


Fig 2. TEA1716T pin configuration

### 6.2 Pin description

Table 2. Pin description

Symbol	Pin	Description
COMPPFC	1	PFC controller frequency compensation; externally connected to filter
SNSMAINS	2	mains voltage sense input; externally connected to resistive divided mains voltage
SNSAUXPFC	3	PFC demagnetization timing sense input; externally connected to auxiliary winding of PFC
SNSCURPFC	4	PFC controller sense input for momentary current and soft-start; externally connected to current sense resistor and soft-start filter
SNSOUT	5	sense input for monitoring the HBC output voltage; externally connected to the auxiliary winding
SUPIC	6	SUPIC input low-voltage and output of internal HV start-up source; externally connected to auxiliary winding of HBC or to external DC supply
GATEPFC	7	PFC MOSFET gate driver output
PGND	8	power ground; HBC low-side and PFC driver reference (ground)
SUPREG	9	regulated SUPREG IC supply; internal regulator output; input for drivers; externally connected to SUPREG buffer capacitor
GATELS	10	HBC low-side MOSFET gate driver output
n.c.	11	not connected; high-voltage spacer.
SUPHV	12	internal HV start-up source source high-voltage supply input; externally connected to boost voltage
GATEHS	13	HBC high-side MOSFET gate driver output
SUPHS	14	high-side driver supply input; externally connected to bootstrap capacitor (C <sub>SUPHS</sub> )

Table 2. Pin description ...continued

Symbol	Pin	Description
HB	15	reference for high-side driver and input for half-bridge slope detection; externally connected to half-bridge node HB between HBC MOSFETs (see <a href="#">Figure 17</a> )
n.c.	16	not connected; high-voltage spacer
SNSCURHBC	17	momentary HBC current sense input; externally connected to resonant current sense resistor
SGND	18	signal ground and IC reference (ground)
CFMIN	19	HBC minimum frequency setting; externally connected to capacitor
SNSBURST	20	burst stop activation sense input; externally connected to resistive divided SNSFB voltage
SNSFB	21	output voltage regulation feedback sense input; externally connected to optocoupler and pull-up resistor
SSHBC/EN	22	HBC soft-start timing of HBC and IC enable input; enables PFC or PFC only or both PFC and HBC controllers; externally connected to soft-start capacitor and enable pull-down signal
RCPROT	23	protection timer setting for time-out and restart; externally connected to resistor and capacitor
SNSBOOST	24	sense input for boost voltage regulation; externally connected to resistive divided boost voltage

## 7. Functional description

### 7.1 Overview of IC modules

The functionality of the TEA1716T can be grouped as follows:

- Supply module:  
Supply management for the IC. Includes the restart and (latched) shutdown states
- Protection and restart timer:  
An externally adjustable timer used for delayed protection and restart timing
- Enable input:  
Control input for enabling and disabling the controllers; when disabled has very low current consumption
- PFC controller:  
Controls and protects the Power Factor (PF) converter. Generates a 400 V (DC) boost voltage from the rectified AC mains input with a high PF
- HBC controller:  
Controls and protects the resonant converter; generates a regulated mains isolated output voltage from the 400 V (DC) boost voltage
- Burst input:  
Control input for Burst mode operation; activates the Burst stop state in which the current consumption is low

[Figure 1](#) shows the block diagram of the TEA1716T. A typical application is illustrated in [Figure 17](#).

## 7.2 Power supply

The TEA1716T contains several supply-related pins SUPIC, SUPREG, SUPHS and SUPHV. These pins are described in [Section 7.2.1](#) to [Section 7.2.4](#).

### 7.2.1 Low-voltage supply input (SUPIC pin)

The SUPIC pin is the main low-voltage supply input to the IC. All internal circuits are supplied from this pin directly or indirectly using the SUPREG pin. The high-voltage circuit, however, is not supplied from the SUPIC pin. The SUPIC pin is connected externally to a buffer capacitor  $C_{SUPIC}$ . This buffer capacitor can be charged in several ways:

- from the internal high-voltage start-up source
- from the HBC transformer auxiliary winding
- from the e switching half-bridge node capacitive supply
- from an external DC supply, for example, a standby supply

The IC starts operating when the voltage on the SUPIC pin reaches the start level, provided the voltage on the SUPREG pin has also reached the start level. The start level depends on the condition of the SUPHV pin:

- High voltage present on the SUPHV pin ( $V_{SUPHV} > V_{det(SUPHV)}$ ).  
In a stand-alone application this is the case because  $C_{SUPIC}$  is initially charged from the HV start-up source. The start level is  $V_{start(hvd)(SUPIC)}$  (20 V). The wide difference between the start and stop ( $V_{uvp(SUPIC)}$ ) levels allows sufficient energy to be drawn from the SUPIC buffer capacitor until the output voltage stabilizes.
- Not connected or no voltage present at SUPHV ( $V_{SUPHV} < V_{det(SUPHV)}$ ).  
When the TEA1716T is supplied from an external DC source, this is the case. The start level is  $V_{start(nohvd)(SUPIC)}$  (15 V). The IC is supplied from the DC supply during start-up. To minimize power dissipation the DC supply to the SUPIC pin must be higher than, but close to  $V_{uvp(SUPIC)}$  (13 V).

The IC stops operating when  $V_{SUPIC} < V_{uvp(SUPIC)}$ . This voltage is the SUPIC pin UnderVoltage Protection (UVP) voltage (UVP-SUPIC; see [Section 7.9](#)). The PFC controller stops switching immediately but the HBC controller continues operating until the low-side MOSFET is active.

The current consumption depends on the state of the IC. The TEA1716T operating states are described in [Section 7.3](#).

- Disabled IC state  
When the IC is disabled using the SSHBC/EN pin, the current consumption ( $I_{dism(SUPIC)}$ ) is very low.
- SUPIC charge, SUPREG charge, Thermal hold, Restart and Protection shutdown states

Only a small section of the IC is active while  $C_{SUPIC}$  and  $C_{SUPREG}$  are charging during a restart sequence before start-up or during shutdown after a protection function has been activated. The PFC and HBC controllers are disabled. Current consumption is limited to  $I_{protm(SUPIC)}$ .

- Boost charge state  
The PFC controller is switching; the HBC controller is off. The current from the high-voltage start-up source is large enough to supply the SUPIC pin (current consumption <  $I_{ch(nom)}(SUPIC)$ ).
- Operational supply state  
Both the PFC and HBC controllers are switching. Current consumption is  $I_{oper}(SUPIC)$ . When the HBC controller is enabled, the switching frequency is high initially and the HBC MOSFET drivers current consumption is dominant. The stored energy in  $C_{SUPIC}$  supplies the initial SUPIC current before the SUPIC supply source takes over.
- Burst stop mode  
Only a small section of the IC is active while  $C_{SUPREG}$  is kept charged and the sensing of the SNSBURST input is active. The PFC and HBC controllers are stopped. Current consumption is limited to  $I_{burstm}(SUPIC)$ .

The SUPIC pin has a low short circuit detection voltage ( $V_{scp}(SUPIC) = 0.65\text{ V}$ ). The current dissipated in the HV start-up source is limited while  $V_{SUPIC} < V_{scp}(SUPIC)$  (see [Section 7.2.4](#)).

### 7.2.2 Regulated supply (SUPREG pin)

The voltage range on the SUPIC pin exceeds that of the external MOSFETs gate voltages. The TEA1716T contains an integrated series stabilizer. The series stabilizer creates an accurate regulated voltage ( $V_{reg}(SUPREG) = 11.3\text{ V}$ ) at the buffer capacitor  $C_{SUPREG}$ . This stabilized voltage is used to:

- Supply the internal PFC driver
- Supply the internal low-side HBC driver
- Supply the internal high-side driver using external components
- As a reference voltage for optional external circuits

The SUPREG series stabilizer is enabled after  $C_{SUPIC}$  has been fully charged. Enabling the stabilizer after charging ensures that any optional external circuitry connected to SUPREG does not dissipate any of the start-up current.

To ensure that the external MOSFETs receive sufficient gate drive current, the voltage on the SUPREG pin must reach  $V_{start}(SUPREG)$ . In addition, the voltage on the SUPIC pin must reach the start level. The IC starts operating when both voltages reach their start levels.

SUPREG is provided with undervoltage protection (UVP-SUPREG; see [Section 7.9](#)). When  $V_{SUPREG} < V_{uvp}(SUPREG)$  (10 V), two events are triggered:

- The IC stops operating to prevent unreliable switching because the gate driver voltage is too low. The PFC controller stops switching immediately, but the HBC controller continues until the low-side stroke is active.
- The maximum current from the internal SUPREG series stabilizer is reduced to  $I_{ch(red)}(SUPREG)$  (5.4 mA). This feature reduces the dissipation in the series stabilizer when an overload occurs at the SUPREG pin while the SUPIC pin is supplied from an external DC supply.



### 7.2.3 High-side driver floating supply (SUPHS pin)

The high-side driver is supplied by an external bootstrap buffer capacitor,  $C_{\text{SUPHS}}$ . The bootstrap capacitor is connected between the high-side reference, the HB pin, and the high-side driver supply input the SUPHS pin.  $C_{\text{SUPHS}}$  is charged from the SUPREG pin using an external diode  $D_{\text{SUPHS}}$ .

Careful selection of the appropriate diode minimizes the voltage drop between SUPREG and SUPHS, especially when large MOSFETs and high switching frequencies are used.

### 7.2.4 High-voltage supply input (SUPHV pin)

In a stand-alone power supply application, the SUPHV pin is connected to the boost voltage. The HV start-up source (which delivers a constant current from SUPHV to SUPIC) charges  $C_{\text{SUPIC}}$  and  $C_{\text{SUPREG}}$  using this pin.

Short circuit protection on the SUPIC pin (SCP-SUPIC; see [Section 7.9](#)) limits dissipation in the HV start-up source when SUPIC is shorted to ground. SCP-SUPIC limits the current on SUPHV to  $I_{\text{red}}(\text{SUPHV})$  when the voltage on SUPIC is less than  $V_{\text{scp}}(\text{SUPIC})$ .

Under normal operating conditions, the voltage on the SUPIC pin exceeds  $V_{\text{scp}}(\text{SUPIC})$  very quickly after start-up and the HV start-up source switches to  $I_{\text{nom}}(\text{SUPHV})$ .

During start-up and restart, the HV start-up source charges  $C_{\text{SUPIC}}$  and regulates the voltage on SUPIC using hysteretic control. The start level has a small amount of hysteresis  $V_{\text{start(hys)}}(\text{SUPIC})$ . The HV start-up source switches off when  $V_{\text{SUPIC}}$  exceeds the start level  $V_{\text{start(hvd)}}(\text{SUPIC})$ . Current consumption through the SUPHV pin ( $I_{\text{tko}}(\text{SUPHV})$ ) is low.

Once start-up is complete and the HBC controller is operating, SUPIC is supplied from the HBC transformer auxiliary winding. In this operational state, the HV start-up source is disabled.

## 7.3 Flow diagram

The operation of the TEA1716T can be divided into a number of states - see [Figure 3](#). The abbreviations used in [Figure 3](#) are explained in [Table 8](#).

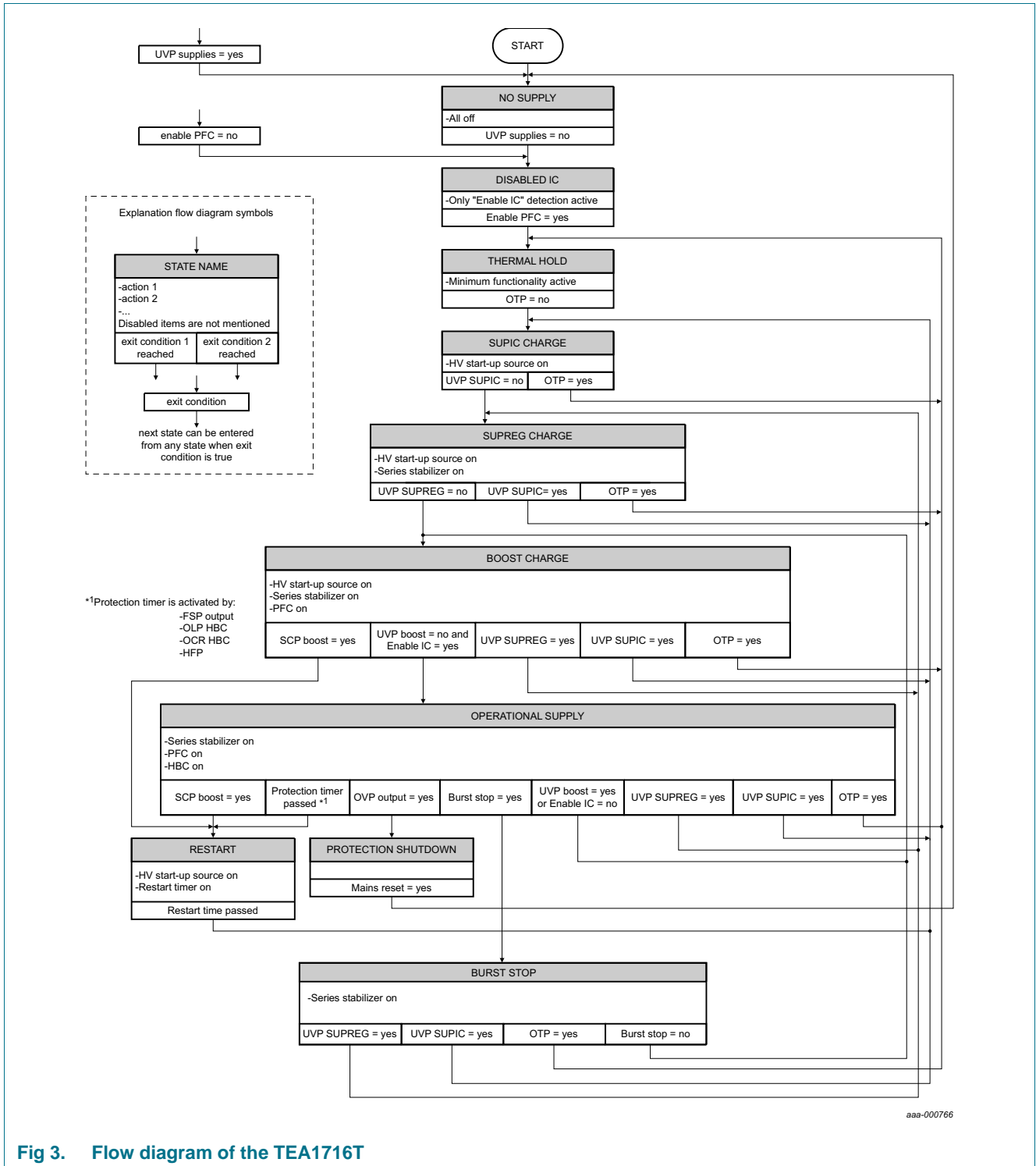


Fig 3. Flow diagram of the TEA1716T

Table 3. Operating states

State	Description
No supply	Supply voltages on SUPIC and SUPHV are too low to provide any functionality. Undervoltage protection (UVP-supplies; see <a href="#">Section 7.9</a> ) is active when $V_{SUPHV} < V_{rst(SUPHV)}$ and $V_{SUPIC} < V_{rst(SUPIC)}$ . The IC is reset.
Disabled IC	IC is disabled because the SSHBC/EN pin is LOW.
Thermal hold	Activated as long as OTP is active. IC is not operating. PFC and HBC controllers are disabled and $C_{SUPIC}$ and $C_{SUPREG}$ are not charged.
SUPIC charge	HV start-up source charges IC supply capacitor ( $C_{SUPIC}$ ). $C_{SUPREG}$ is not charged.
SUPREG charge	Series regulator charges stabilized supply capacitor ( $C_{SUPREG}$ ).
Boost charge	Operational PFC builds up boost voltage.
Operational supply	Output voltage is generated. Both PFC and HBC controllers are fully operational.
Burst stop	Power-saving state for Burst mode operation. PFC and HBC controllers are disabled and $C_{SUPIC}$ is not charged. $C_{SUPREG}$ is charged.
Restart	Activated when a protection function is triggered. Restart timer is activated. During this time, PFC and HBC controllers are disabled and $C_{SUPREG}$ is not charged. $C_{SUPIC}$ is charged.
Protection shut-down	Activated when a protection function is triggered. IC is not operational. PFC and HBC controllers are disabled and $C_{SUPIC}$ and $C_{SUPREG}$ are not charged.

## 7.4 Enable input (SSHBC/EN pin)

The power supply application is disabled by pulling the SSHBC/EN pin LOW.

[Figure 4](#) shows the internal functionality. When a voltage is present on the SUPHV pin or on the SUPIC pin, a current  $I_{pu(EN)}$  (42  $\mu$ A) flows from the SSHBC/EN pin. If the pin is not pulled down, the current increases the voltage up to  $V_{pu(EN)}$  (3 V). Since the voltage is above both  $V_{en(PFC)(EN)}$  (1.2 V) and  $V_{en(IC)(EN)}$  (2.2 V), the IC is enabled.

The IC is disabled when the voltage on the SSHBC/EN pin is pulled down under both  $V_{en(PFC)(EN)}$  and  $V_{en(IC)(EN)}$  via an optocoupler. The optocoupler is driven from the HBC transformer secondary side (see [Figure 4](#)). The PFC controller stops switching immediately, but the HBC controller continues switching until the low-side stroke is active. It is also possible to control the voltage on the SSHBC/EN pin from another circuit on the secondary side via a diode. The external pull-down current must be larger than the internal soft-start charge current  $I_{ss(hf)(SSHBC)}$ .

If the voltage on the SSHBC/EN pin is pulled down under  $V_{en(IC)(EN)}$ , but not under  $V_{en(PFC)(EN)}$ , only the HBC is disabled. This feature is useful when another power converter is connected to the PFC boost voltage.

The low-side power switch of the HBC is on when the HBC is disabled using the SSHBC/EN pin.

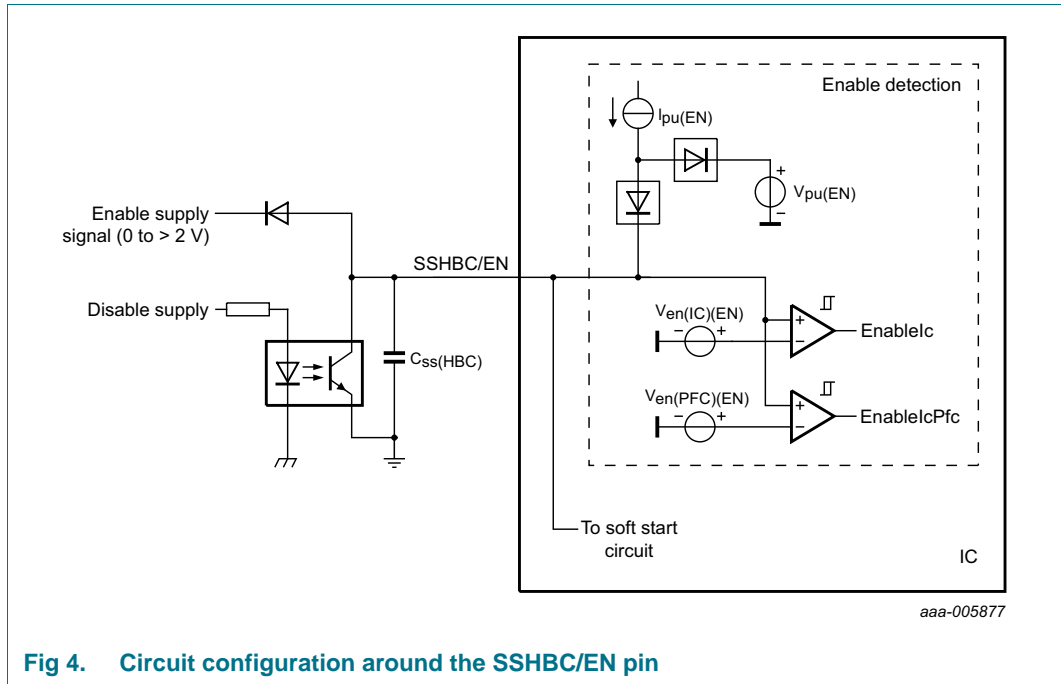


Fig 4. Circuit configuration around the SSHBC/EN pin

## 7.5 IC protection

### 7.5.1 IC restart and shutdown

In addition to the protection functions influencing the PFC and HBC controller operation, several protection functions are provided to disable both controllers. See the protection overview in [Section 7.9](#) for details on which protection functions trigger a restart or protection shutdown.

- Restart
 

When the TEA1716T enters the Restart state, the PFC and HBC controllers are switched off. After a period defined by the Restart timer, the IC automatically restarts following the normal start-up cycle.
- Protection shutdown
 

When the TEA1716T enters the Protection shutdown state, the PFC and HBC controllers are switched off. The Protection shutdown state is latched, so the IC does not automatically start up again. It can be restarted by resetting the Protection shutdown state in one of the following ways:

  - Lowering  $V_{SUPIC}$  and  $V_{SUPHV}$  below their respective reset levels,  $V_{rst(SUPIC)}$  and  $V_{rst(SUPHV)}$
  - Using a fast shutdown reset (see [Section 7.5.3](#)).
  - Using the enable pin (see [Section 7.4](#))
- Thermal hold
 

In the Thermal hold state, the PFC and HBC controllers are switched off. The Thermal hold state remains active until the IC junction temperature drops to approximately 10 °C below  $T_{otp}$  (see [Section 7.5.6](#)).

7.5.2 Protection and restart timer

The TEA1716T contains a programmable timer which can be used for timing several protection functions. The timer can be used in two ways as a protection timer and as a restart timer. The timing of the timers is set independently using an external resistor  $R_{prot}$  and capacitor  $C_{prot}$  connected to the RCPROT pin.

7.5.2.1 Protection timer

Certain error conditions are allowed to persist for a time period before protective action is must be taken. The protection timer defines the protection period (how long the error can persist before the protection function is triggered). The protection functions that use the protection timer are found in the protection overview in [Section 7.9](#).

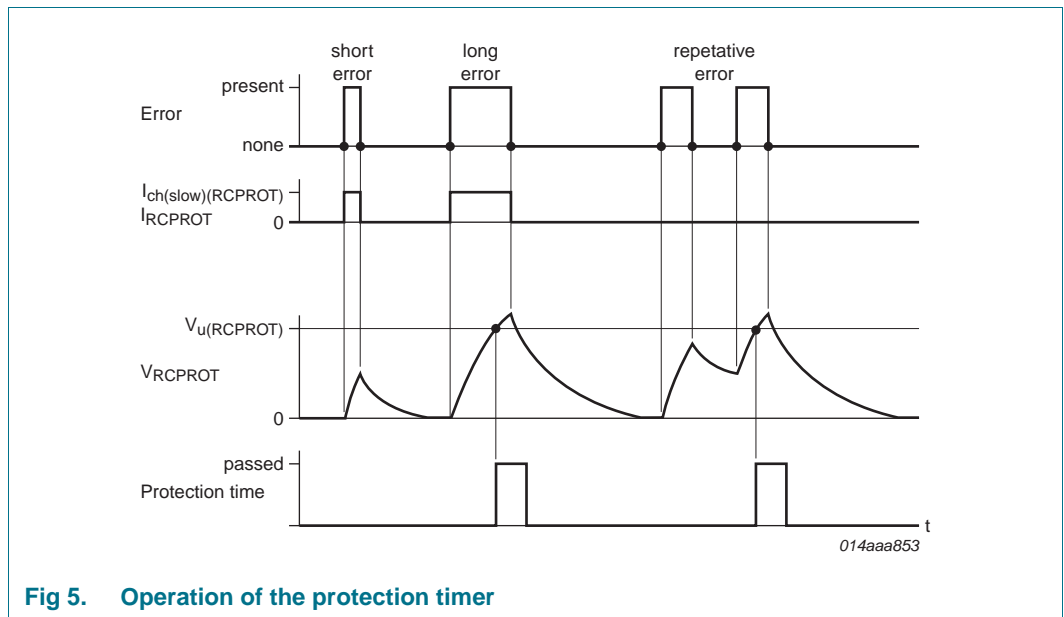


Fig 5. Operation of the protection timer

Figure 5 shows the operation of the protection timer. When an error condition occurs, a fixed current  $I_{ch(slow)(RCPROT)}$  ( $100 \mu A$ ) flows from the RCPROT pin and charges  $C_{prot}$ .  $R_{prot}$  causes the voltage to increase exponentially. The protection time elapses when the voltage on the RCPROT pin reaches the upper switching level  $V_{u(RCPROT)}$  (4 V). When the protection time has elapsed, the appropriate protective action is taken and  $C_{prot}$  is discharged.

If the error condition is removed before the voltage on the RCPROT pin reaches  $V_{u(RCPROT)}$ ,  $C_{prot}$  is discharged using  $R_{prot}$  and no action is taken.

An external circuit to force a restart can increase the RCPROT voltage to exceed  $V_{u(RCPROT)}$ .

7.5.2.2 Restart timer

The IC must be disabled for a time period on certain error conditions. Particularly when the error condition causes components to overheat. In such cases, the IC is disabled to allow the power supply to cool down, before restarting automatically. The restart timer determines the restart time. The restart timer is active in the Restart state. The protection functions which trigger a restart are found in the protection overview in [Section 7.9](#).

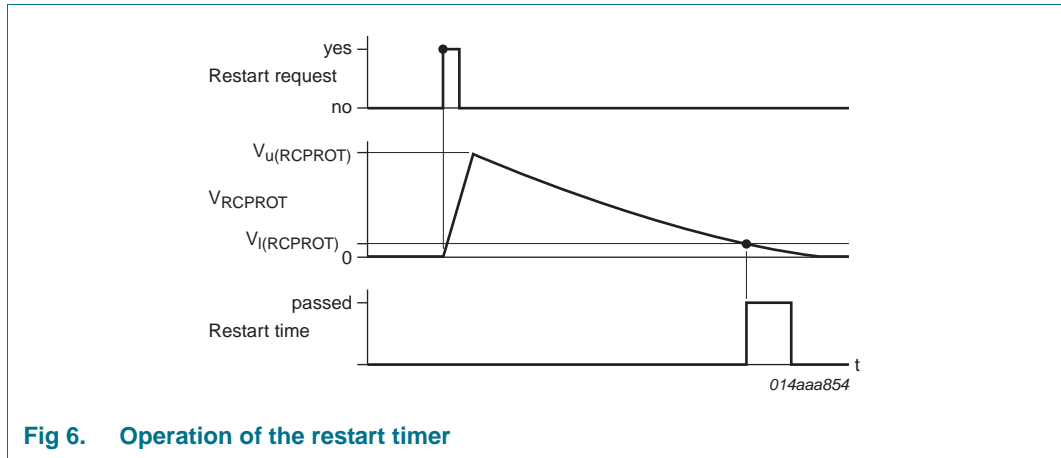


Fig 6. Operation of the restart timer

Figure 6 shows the operation of the restart timer. Normally  $C_{prot}$  is discharged to 0 V. When a restart is requested,  $C_{prot}$  is quickly charged to the upper switching level  $V_{u(RCPROT)}$ . Then the RCPROT pin becomes high ohmic and  $C_{prot}$  discharges through  $R_{prot}$ . The restart time has elapsed when  $V_{RCPROT}$  reaches the lower switching level  $V_{l(RCPROT)}$  (0.5 V). The IC restarts and  $C_{prot}$  is discharged.

**7.5.3 Fast shutdown reset (SNSMAINS pin)**

The latched Protection shutdown state is reset when  $V_{SUPIC}$  and  $V_{SUPHV}$  drop below their respective reset levels,  $V_{rst(SUPIC)}$  and  $V_{rst(SUPHV)}$ . Typically, the PFC boost capacitor,  $C_{boost}$ , must discharge before  $V_{SUPIC}$  and  $V_{SUPHV}$  drop below their reset levels. Discharging  $C_{boost}$  can take a long time.

Fast shutdown reset causes a faster reset. When the mains supply is interrupted, the voltage on the SNSMAINS pin falls. When  $V_{SNSMAINS}$  falls below  $V_{rst(SNSMAINS)}$  and then increases again by a hysteresis value, the IC leaves the Protection shutdown state. The boost capacitor  $C_{boost}$  does not require discharging to trigger a new start-up.

The Protection shutdown state can also be ended by pulling down the enable input (the SSHBC/EN pin).

**7.5.4 Output overvoltage protection (SNSOUT pin)**

The TEA1716T outputs are provided with overvoltage protection (OVP-output; see Section 7.9). The output voltage is measured using the resonant transformer auxiliary winding. The voltage is sensed on the SNSOUT pin using an external rectifier and resistive divider. An overvoltage is detected when the SNSOUT voltage exceeds  $V_{ovp(SNSOUT)}$  (3.5 V). When an overvoltage is detected, the TEA1716T enters the Protection shutdown state.

Additional external protection circuits, such as an external OTP circuit, can be connected to this pin. Connect them to the SNSOUT pin using a diode to ensure that an error condition triggers an OVP event.

**7.5.5 Output failed start protection, FSP-output (SNSOUT pin)**

The TEA1716T outputs are provided with failed start protection (FSP output; see Section 7.9). During start-up, the output voltage is less than  $V_{fsp(SNSOUT)}$  for a time. This voltage drop is not considered an error condition if it does not last longer than expected. The protection timer is started when  $V_{SNSOUT} < V_{fsp(SNSOUT)}$  for this reason.

Under normal conditions, the output voltage is present before the protection time is expired and no protective action is taken. The Restart state is activated if the FSP output event is still active when the protection time has expired.

### 7.5.6 OverTemperature Protection (OTP)

Accurate internal overtemperature protection is provided in the TEA1716T. When the junction temperature exceeds the overtemperature protection activation temperature,  $T_{otp}$  ( $T_{otp} = 150\text{ °C}$ ), the IC enters the Thermal hold state. The TEA1716T exits the Thermal hold state when the temperature falls again to approximately  $T_{otp} - 10\text{ °C}$ .

## 7.6 Burst mode operation (SNSBURST pin)

The HBC and PFC controllers can be operated in Burst mode. In Burst mode, the controllers are on for a period, then off for a period. Burst mode operation increases efficiency under low-load conditions.

The voltage on the SNSBURST pin defines the transition from Operational supply state (= burst-on period) to Burst stop state (= burst-off period) and back).

The voltage on the SNSFB pin represents the level of power that is converted. The voltage on the SNSBURST pin can be related to the SNSFB pin using an external resistor divider. The SNSBURST pin has an internal switching level  $V_{burst(SNSBURST)}$  (3.5 V) and a fixed hysteresis  $V_{burst(hys)(SNSBURST)}$  (24 mV). In addition, a switched current flowing into the SNSBURST pin,  $I_{burst(hys)(SNSBURST)}$  (3  $\mu\text{A}$ ) and the resistance of the external divider determine the effective hysteresis. The current flows when the SNSBURST voltage is less than  $V_{burst(SNSBURST)}$ .

The PFC and HBC controller operation is suspended when the voltage on the SNSBURST pin falls under  $V_{burst(SNSBURST)}$ . The PFC continues as long as the boost voltage is still below the regulation level. Then it stops with a soft-stop. The HBC stops almost directly when the GATELS pin becomes active. The Burst stop state is entered when both PFC and HBC have stopped switching. In the Burst stop state, the current consumption of the IC is low and the SNSOUT pin is pulled low. The SNSOUT signal can be used for additional functionality in the application.

When the voltage on SNSBURST increases to exceed  $V_{burst(SNSBURST)} + V_{burst(hys)(SNSBURST)}$ , the TEA1716T leaves the Burst stop state and enters the Operational supply state. The PFC starts its operation with a soft-start. The HBC resumes without a soft-start sequence.

Burst mode operation is not enabled until the SNSOUT pin has reached the  $V_{fsp(SNSOUT)}$  level once to avoid unwanted activation of the burst mode during start-up.

## 7.7 PFC controller

The PFC controller converts the rectified universal mains voltage into an accurately regulated boost voltage of 400 V (DC). It operates in Quasi-Resonant (QR) mode or Discontinuous Conducting Mode (DCM) and is controlled using an on-time control system. The resulting mains harmonic current emissions of a typical application can meet the class-D MHR requirements.

The PFC controller uses valley switching to minimize losses. A primary stroke is only started once the previous secondary stroke ends and the voltage across the PFC MOSFET reaches a minimum value.

### 7.7.1 PFC gate driver (GATEPFC pin)

The circuit driving the gate of the power MOSFET has a high current sourcing capability  $I_{\text{source(GATEPFC)}}$  of 0.6 A. It also has a high current sink capability  $I_{\text{sink(GATEPFC)}}$  of 1.2 A. The source and sink capabilities enable fast switch-on and switch-off to ensure efficient operation. The driver is supplied from the regulated SUPREG supply.

### 7.7.2 PFC on-time control

The PFC operates under on-time control. The following determine the PFC MOSFET on-time:

- The error amplifier and the loop compensation using the voltage on the COMPPFC pin  
At  $V_{\text{ton(COMPPFC)zero}}$  (3.5 V), the on-time is reduced to zero. At  $V_{\text{ton(COMPPFC)max}}$  the on-time is at a maximum
- Mains compensation using the voltage on the SNSMAINS pin

#### 7.7.2.1 PFC error amplifier (COMPPFC and SNSBOOST pins)

The boost voltage is divided using a high-ohmic resistive divider. It is supplied to the SNSBOOST pin. The transconductance error amplifier, which compares the SNSBOOST voltage with an accurate trimmed reference voltage  $V_{\text{reg(SNSBOOST)}}$ , is connected to this pin. The external loop compensation network on the COMPPFC pin filters the output current. In a typical application, a resistor and two capacitors set the regulation loop bandwidth.

The transconductance of the error amplifier is not constant, which improves the start-up behavior and transient response. The transconductance significantly increases when the SNSBOOST voltage is more than 80 mV above or below the reference voltage. The result is a higher output current to the COMPPFC pin. [Figure 7](#) shows the behavior of the transconductance amplifier.



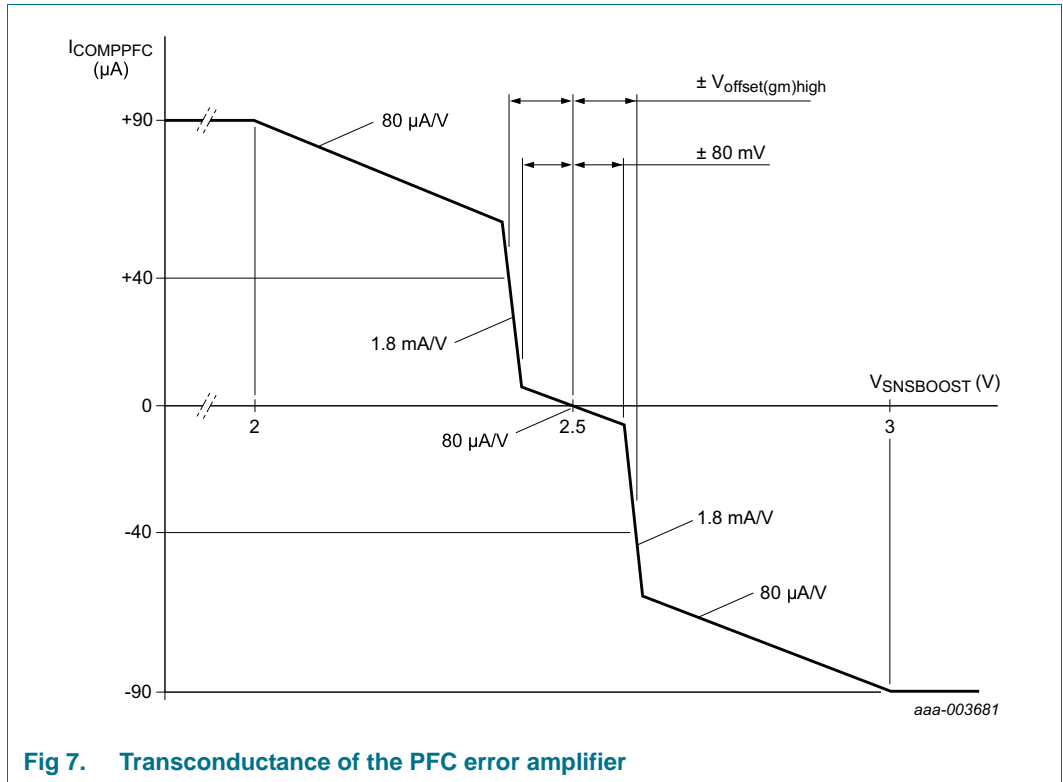


Fig 7. Transconductance of the PFC error amplifier

The COMP\_PFC voltage is clamped at a maximum of  $V_{clamp(COMP\_PFC)}$ . This clamp avoids a long recovery time if the boost voltage exceeds the regulation level for a period.

7.7.2.2 PFC mains compensation (SNSMAINS pin)

The mathematical equation for the transfer function of a power factor corrector contains the square of the mains input voltage. In a typical application, this results in a low bandwidth for low mains input voltages. At high mains input voltages the MHR requirements are hard to meet.

The TEA1716T contains a correction circuit to compensate for this effect. The average mains voltage is measured using the SNSMAINS pin. The information is supplied to an internal compensation circuit.

Figure 8 shows the relationship between the SNSMAINS voltage, the COMP\_PFC voltage, and the on-time. It is possible to keep the regulation loop bandwidth constant over the full mains input range using this compensation. This feature provides a fast transient response on load steps, while still meeting the class-D MHR requirements.

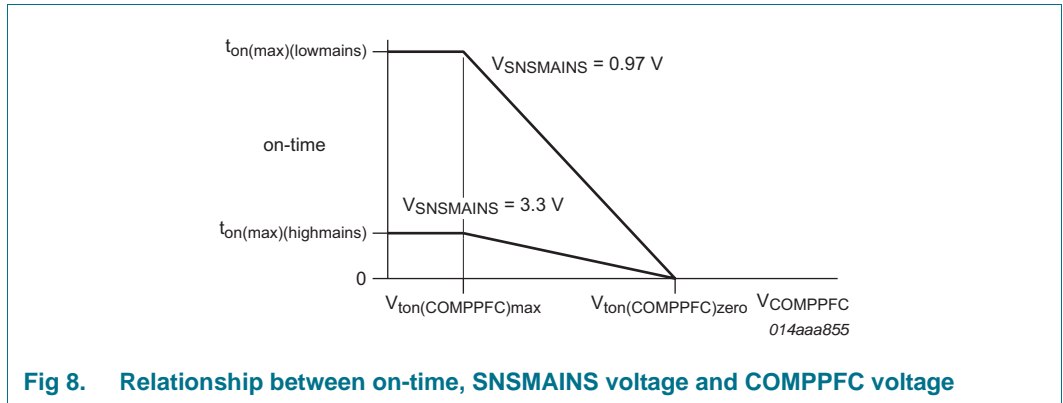


Fig 8. Relationship between on-time, SNSMAINS voltage and COMPPFC voltage

7.7.3 PFC demagnetization sensing (SNSAUXPFC pin)

The voltage on the SNSAUXPFC pin is used to detect transformer demagnetization. During the secondary stroke, the transformer is magnetized and current flows in the boost output. During this time,  $V_{SNSAUXPFC} < V_{demag(SNSAUXPFC)}$  (–100 mV) and the PFC MOSFET remains switched off.

After some time, the transformer becomes demagnetized and current stops flowing in the boost output. From that moment,  $V_{SNSAUXPFC} > V_{demag(SNSAUXPFC)}$  and valley detection is started. The MOSFET remains off.

To ensure that switching continues under all circumstances, the MOSFET is forced to switch on if the magnetizing of the transformer ( $V_{SNSAUXPFC} < V_{demag(SNSAUXPFC)}$ ) is not detected within  $t_{to(mag)}$  (50 μs) after the GATEPFC pin goes LOW.

connect a 5 kΩ series resistor to this pin to protect the internal circuitry, against for example lightning. Place the resistor close to the IC on the PCB to prevent incorrect switching due to external disturbances.

7.7.4 PFC valley sensing (SNSAUXPFC pin)

If the voltage at the MOSFET drain is at its minimum (valley switching), the PFC MOSFET is switched on for the next stroke. This action reduces switching losses and EMI (see [Figure 9](#)).

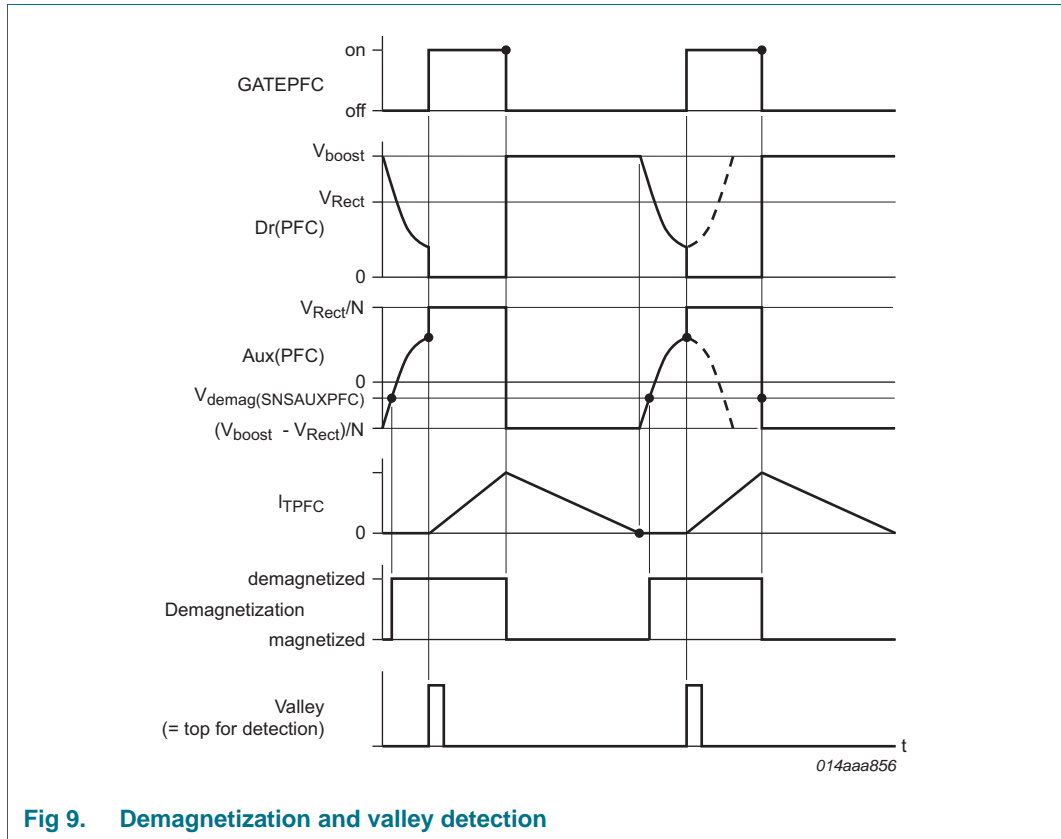


Fig 9. Demagnetization and valley detection

The valley sensing block connected to the SNSAUXPFC pin detects the valleys. This block measures the PFC transformer auxiliary winding voltage, which is a reduced and inverted copy of the MOSFET drain voltage. When a valley of the drain voltage (= top at SNSAUXPFC voltage) is detected, the MOSFET is switched on.

If a top is not detected on the SNSAUXPFC pin (= a valley at the drain) within  $t_{to(vrec)}$  (4  $\mu$ s) after demagnetization is detected, the MOSFET is forced to switch on.

### 7.7.5 PFC frequency and off-time limiting

The switching frequency is limited to  $f_{max(PFC)}$  for transformer optimization and to minimize switching losses. If the frequency for quasi-resonant operation exceeds  $f_{max(PFC)}$ , the system switches to DCM. The PFC MOSFET is switched on when the drain-source voltage is at a minimum (valley switching).

The minimum off-time is limited at  $t_{off(PFC)min}$  to ensure correct control of the PFC MOSFET under all circumstances.

### 7.7.6 PFC soft-start and soft-stop (SNSCURPFC pin)

The PFC controller features a soft-start function. The function slowly increases the primary peak current during start-up. The soft-stop function slowly decreases the transformer peak current before operations are halted. These functions prevent transformer rattle at start-up or during burst mode operation.

Connecting a resistor  $R_{ss(PFC)}$  and capacitor  $C_{ss(PFC)}$  between the SNSCURPFC pin and the current sense resistor  $R_{cur(PFC)}$  achieves this. During start-up, an internal current source,  $I_{ch(ss)(PFC)}$ , charges the capacitor to  $V_{SNSCURPFC} = I_{ch(ss)(PFC)} \times R_{ss(PFC)}$ .

The voltage is limited to the maximum PFC soft-start clamp voltage,  $V_{clamp(ss)PFC}$ . The additional voltage across the charged capacitor reduces the peak current. After start-up, the internal current source is switched-off, capacitor  $C_{ss(PFC)}$  discharges across  $R_{ss(PFC)}$  and the peak current increases.

The start level and the time constant of the rising primary current can be adjusted externally by changing the values of  $R_{ss(PFC)}$  and  $C_{ss(PFC)}$ .

$$I_{Cur(PFC)(pk)} = \frac{V_{ocr(PFC)} - (I_{ch(ss)(PFC)} \times R_{ss(PFC)})}{R_{cur(PFC)}}$$

$$\tau = R_{ss(PFC)} \times C_{ss(PFC)}$$

Switching on the internal current source  $I_{ch(ss)(PFC)}$  starts a soft-stop.  $I_{ch(ss)(PFC)}$  charges  $C_{ss(PFC)}$ . The increasing capacitor voltage decreases the peak current. The charge current flows when the voltage on the SNSCURPFC pin is less than the maximum PFC soft-start voltage (0.5 V). If  $V_{SNSCURPFC}$  exceeds the maximum PFC soft-start voltage, the soft-start current source starts limiting the charge current. To determine accurately if the capacitor is charged, the voltage is only measured during the PFC power switch off-time. The PFC operation is stopped when  $V_{SNSCURPFC} > V_{stop(ss)(PFC)}$ .

In the Burst stop state with the PFC not operating, the SNSCURPFC pin is kept at the maximum PFC soft-start voltage, enabling an immediate start of the soft-start sequence when the PFC must operate after the Burst stop state.

### 7.7.7 PFC overcurrent regulation, OCR-PFC (SNSCURPFC pin)

The maximum peak current is limited cycle-by-cycle by sensing the voltage across an external sense resistor ( $R_{cur(PFC)}$ ) connected to the source of the external MOSFET. The voltage is measured via the SNSCURPFC pin and is limited to  $V_{ocr(PFC)}$ .

A voltage peak appears on  $V_{SNSCURPFC}$  when the PFC MOSFET is switched on due to the discharging of the drain capacitance. The leading-edge blanking time ( $t_{leb(PFC)}$ ) ensures that the overcurrent sensing block does not react to this transitory peak.

### 7.7.8 PFC mains undervoltage protection/brownout protection, UVP-mains (SNSMAINS pin)

The voltage on the SNSMAINS pin is continuously sensed to prevent the PFC trying to operate at very low mains input voltages. PFC switching stops when  $V_{SNSMAINS} < V_{uvp(SNSMAINS)}$ . Mains undervoltage protection is also called brownout protection.

$V_{SNSMAINS}$  is clamped to a minimum value of  $V_{pu(SNSMAINS)}$  for fast restart as soon as the mains input voltage recovers after a mains-dropout. The PFC starts or restarts when  $V_{SNSMAINS}$  exceeds the start level  $V_{start(SNSMAINS)}$ .

### 7.7.9 PFC boost overvoltage protection, OVP-boost (SNSBOOST pin)

An overvoltage protection circuit has been built in to prevent boost overvoltage during load steps and mains transients. Switching of the power factor correction circuit is inhibited when the voltage on the SNSBOOST pin  $> V_{ovp(SNSBOOST)}$ .

PFC switching resumes when  $V_{SNSBOOST} < V_{ovp(SNSBOOST)}$  again.

Overvoltage protection is also triggered when an open circuit at the resistor connected between the SNSBOOST pin and ground.

### 7.7.10 PFC short circuit/open-loop protection, SCP/OLP-PFC (SNSBOOST pin)

The PFC circuit does not start switching until the voltage on the SNSBOOST pin exceeds  $V_{scp(SNSBOOST)}$ . This acts as short circuit protection for the boost voltage (SCP-boost).

The SNSBOOST pin draws a small input current  $I_{prot(SNSBOOST)}$ . If this pin gets disconnected, the residual current pulls down  $V_{SNSBOOST}$ , triggering short circuit protection (SCP-boost). This combination creates an open-loop protection (OLP-PFC).

## 7.8 HBC controller

The HBC controller converts the 400 V boost voltage from the PFC into one or more regulated DC output voltages and drives two external MOSFETs in a half-bridge configuration connected to a transformer. The transformer forms the resonant circuit in combination with the resonant capacitor and the load at the output. The transformer has a leakage inductance and a magnetizing inductance. The regulation is realized using frequency control.

### 7.8.1 HBC high-side and low-side driver (GATEHS and GATELS pins)

Both drivers have an identical driving capability. The output of each driver is connected to the equivalent gate of an external high-voltage power MOSFET.

The low-side driver is referenced to the PGND pin and is supplied from the SUPREG pin.

The high-side driver is floating. The reference for the high-side driver is the HB pin, connected to the midpoint of the external half-bridge. The high-side driver is supplied from the SUPHS pin which is connected to the external bootstrap capacitor  $C_{SUPHS}$ . When the low-side MOSFET is on, the bootstrap capacitor is charged from the SUPREG pin using the external diode  $D_{SUPHS}$ .

### 7.8.2 HBC boost undervoltage protection, UVP-boost (SNSBOOST pin)

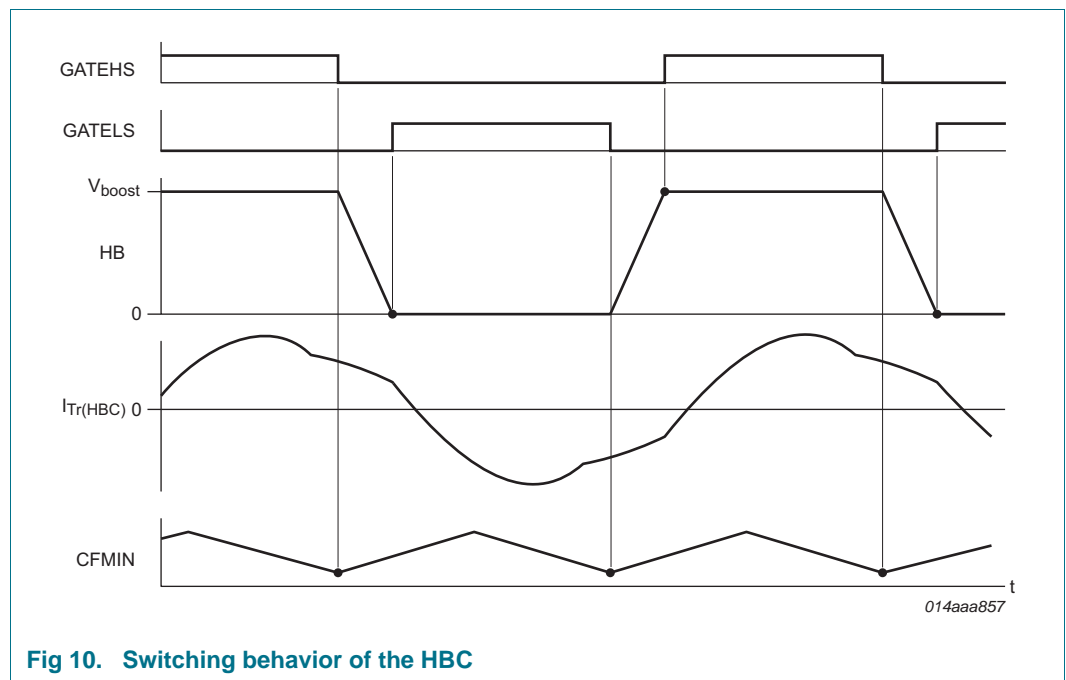
The voltage on the SNSBOOST pin is sensed continuously to prevent the HBC controller trying to operate at very low boost input voltages. When  $V_{SNSBOOST} < V_{uvp(SNSBOOST)}$ , HBC switching stops the next time the GATELS pin goes HIGH. HBC switching resumes when  $V_{SNSBOOST} > V_{start(SNSBOOST)}$ .

**7.8.3 HBC switch control**

HBC switch control determines when the MOSFETs switch on and off. It uses the output from several other blocks.

- A divider is used for alternate switching of the high and low-side MOSFETs for each oscillator cycle. The oscillator frequency is twice the half-bridge frequency.
- The controlled oscillator determines the switch-off point.
- Adaptive non-overlap time sensing determines the switch-on point. This function is the adaptive non-overlap time.
- Several protection circuits and the state of the SSHBC/EN input specify if the resonant converter is allowed to start switching.
- At start-up pin GATELS is HIGH. Node HB is pulled to ground and the bootstrap capacitor  $C_{SUPHS}$  is charged.
- During the burst off-time, both GATELS and GATEHS are LOW. The disabled MOSFETs prevent the discharge of the resonant tank.

Figure 10 provides an overview of typical switching behavior.



**Fig 10. Switching behavior of the HBC**

**7.8.4 HBC Adaptive Non-Overlap (ANO) time function (HB pin)**

**7.8.4.1 Inductive mode (normal operation)**

The high efficiency characteristic of a resonant converter is the result of Zero-Voltage Switching (ZVS) of the power MOSFETs. ZVS is also called soft switching. To allow soft switching, a small non-overlap time is required between the high-side on-times and low-side MOSFETs. During this non-overlap time, the primary resonant current charges or discharges the half-bridge capacitance between ground and the boost voltage.

After the charge or discharge cycles, the body diode of the MOSFET starts conducting. Because the voltage across the MOSFET is zero, there are no switching losses when the MOSFET is switched on. This operating mode is called inductive mode. In inductive mode the switching frequency is above the resonance frequency and the resonant tank has an inductive impedance.

The HB transition time depends on resonant current amplitude when switching starts. There is a complex relationship between this amplitude, the frequency, the boost voltage and the output voltage. Ideally, the IC switches on the MOSFET when the HB transition is complete. If it waits any longer, the HP voltage can swing back, especially at high output loads. The advanced adaptive non-overlap time makes it unnecessary to choose a fixed dead time (which is always a compromise). This saves on external components.

Adaptive non-overlap time sensing measures the HB slope after one MOSFET has been switched off. Normally, the HB slope starts immediately (the voltage starts rising or falling). Once the transition at the HB node is complete, the slope ends (the voltage stops rising/falling). This slope end is detected by the ANO time sensor and the other MOSFET is switched on. In this way, the non-overlap time is automatically optimized even when the HB transition cannot be fully completed, which minimizes losses.

Figure 11 illustrates the operation of the adaptive non-overlap time function in Inductive mode.

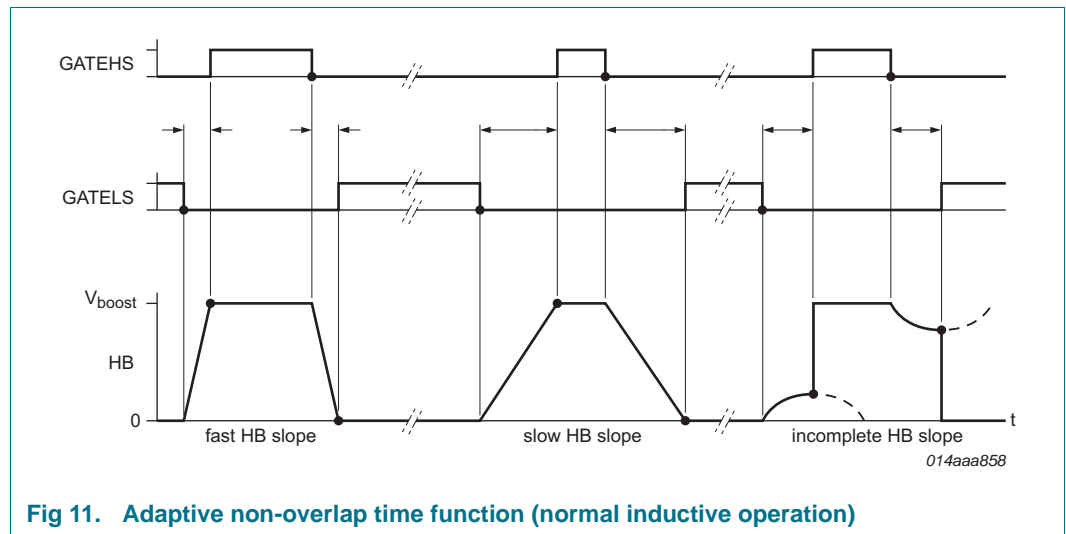


Fig 11. Adaptive non-overlap time function (normal inductive operation)

The non-overlap time depends on the HB slope but it has upper and lower limits.

An integrated minimum non-overlap time ( $t_{no(min)}$ ) prevents cross conduction occurring under any circumstances.

The maximum non-overlap time is limited to the oscillator charge time. If the HB slope is longer than the oscillator charge time ( $1/4$  of HB switching period), the MOSFET is forced to switch on. In this case, the MOSFET is not soft switching. This limitation ensures that, the MOSFET on-time is at least  $1/4$  of the HB switching period.

7.8.4.2 Capacitive mode

The statements in [Section 7.8.4.1](#) are true for normal operation with a switching frequency higher than the resonance frequency. When an error condition occurs (for example output short, load pulse too high) the switching frequency is lower than the resonance frequency. The resonant tank then has a capacitive impedance. In Capacitive mode, the HB slope does not start after the MOSFET switches off. Switching on the other MOSFET is not recommended in this situation. The absence of soft switching increases dissipation in the MOSFETs. In Capacitive mode, the body diode in the switched off MOSFET can start conducting. Switching on the other MOSFET at this instant can result in the immediate destruction of the MOSFETs.

The advanced adaptive non-overlap time of the TEA1716T always waits until the slope at the half-bridge node starts. It guarantees safe switching of the MOSFETs in all circumstances. [Figure 12](#) shows the adaptive non-overlap time function operation in Capacitive mode.

In Capacitive mode, half the resonance period can elapse before the resonant current changes back to the correct polarity and starts charging the half-bridge node. The oscillator is slowed down until the half-bridge slope starts to allow this relatively long waiting time. See [Section 7.8.5](#) for more details on the oscillator.

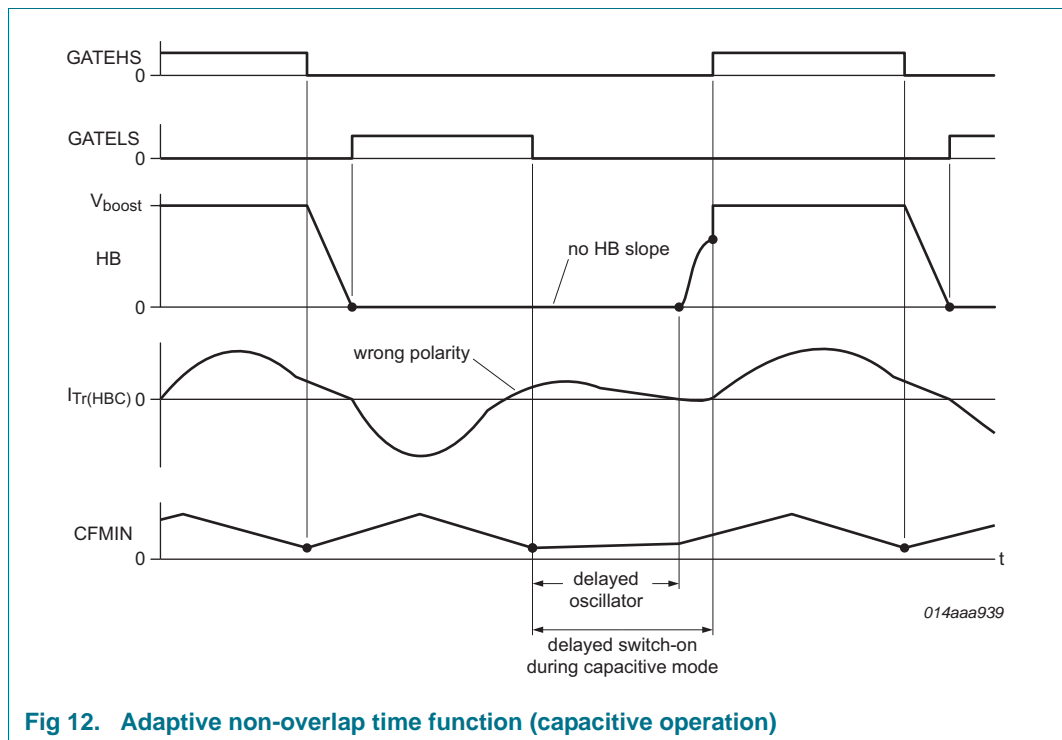


Fig 12. Adaptive non-overlap time function (capacitive operation)

The MOSFET is forced to switch on when the half-bridge slope fails to start and the oscillator voltage reaches  $V_{u(CFMIN)}$ .

The switching frequency is increased to eliminate the problems associated with Capacitive mode operation (see [Section 7.8.11](#)).



7.8.5 HBC slope controlled oscillator (pin CFMIN)

The slope-controlled oscillator determines the half-bridge switching frequency. The oscillator generates a triangular waveform between  $V_{u(CFMIN)}$  and  $V_{l(CFMIN)}$  at the external capacitor  $C_{fmin}$ .

Figure 13 shows how the frequency is determined.

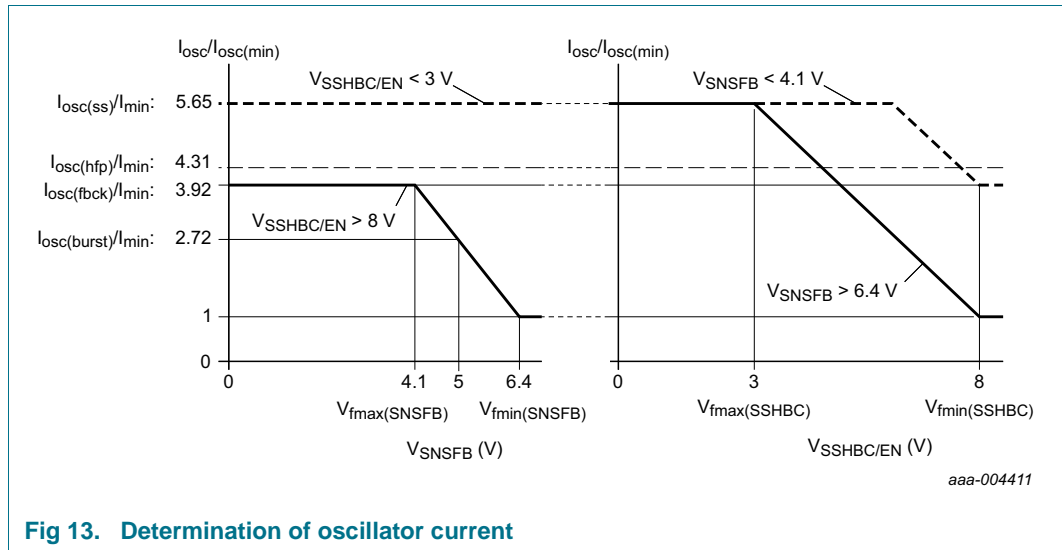


Fig 13. Determination of oscillator current

Two external components determine the frequency range:

- Capacitor  $C_{fmin}$  connected between the CFMIN pin and ground sets the minimum frequency in combination with an internally trimmed current source  $I_{osc(min)}$
- Internal resistor  $R_{fmax}$  sets the frequency range and thus the maximum frequency. Resistor  $R_{fmax}$  has a fixed value (18 kΩ typical)

The oscillator frequency depends on the charge and discharge currents of  $C_{fmin}$ . The charge and discharge current contains a fixed component,  $I_{osc(min)}$ , which determines the minimum frequency. In addition, it contains a variable component that is 4.9 times greater than the current flowing through resistor  $R_{fmax}$ :

- The voltage across resistor  $R_{fmax}$  is  $V_{fmin(RFMAX)}$  (0 V) at the minimum frequency
- The voltage across resistor  $R_{fmax}$  is  $V_{fmax(fb)(RFMAX)}$  (1.5 V) at the maximum feedback frequency
- The voltage across resistor  $R_{fmax}$  is  $V_{fmax(ss)(RFMAX)}$  (2.5 V) at the maximum soft-start frequency

The maximum frequency of the oscillator is internally limited. The HB frequency is limited to  $f_{limit(HB)}$  (minimum 500 kHz).

The half-bridge slope controls the oscillator. The oscillator charge current is initially set to a low value  $I_{osc(red)}$  (30 μA). When the start of the half-bridge slope is detected, the charge current is increased to its normal value. This feature is used in combination with the adaptive non-overlap time function as described in Section 7.8.4.2 and Figure 12.

The length of time the oscillator current is low is negligible under normal operating conditions because the half-bridge slope normally starts directly after the MOSFET is switched off.

### 7.8.6 HBC feedback input (SNSFB pin)

In a typical power supply application, the output voltage is compared and amplified on the secondary side. The error amplifier output is transferred to the primary side using an optocoupler. The optocoupler can be connected directly to the SNSFB pin. The current setting of the optocoupler can be selected using the external pull-up resistor.

The SNSFB pin is a voltage input. At an SNSFB voltage of  $V_{fmin(SNSFB)}$  (6.4 V) the frequency is at a minimum. The maximum frequency is reached at  $V_{fmax(SNSFB)}$  (4.1 V). The maximum frequency that can be reached using the SNSFB pin is lower (70 %) than the maximum frequency that can be reached using the SSHBC/EN pin.

### 7.8.7 HBC open-loop protection, OLP-HBC (SNSFB pin)

Under normal operating conditions, the optocoupler current is between  $I_{fmin(SNSFB)}$  and  $I_{fmax(SNSFB)}$  and pulls down the voltage at the SNSFB pin. Due to an error in the feedback loop, the current can be less than  $I_{fmin(SNSFB)}$  with the HBC controller delivering maximum output power.

The HBC controller features Open-Loop Protection (OLP), which monitors the SNSFB voltage. When  $V_{SNSFB}$  exceeds  $V_{olp(SNSFB)}$ , the protection timer is started. The Restart state is activated if the OLP condition is still present after the protection time has elapsed.

### 7.8.8 HBC soft-start (pin SSHBC/EN)

The relationship between switching frequency and output current is not constant. It depends strongly on the output voltage and the boost voltage. This relationship can be complex. The TEA1716T contains a soft-start function to ensure that the resonant converter starts or restarts with safe currents. This soft-start function forces a start at such a high frequency that the currents are acceptable under all conditions. The soft-start then slowly decreases the frequency. Normally, output voltage regulation takes over frequency control before soft-start reaches its minimum frequency. Limiting the output current during start-up also limits the rate at which the output voltage rises and prevents an overshoot.

Soft-start utilizes the voltage on the SSHBC/EN pin. The external capacitor  $C_{ss(HBC)}$  sets the timing of the soft-start. The SSHBC/EN pin is also used as an enable input. Soft-start voltage levels are above the enable voltage thresholds.

#### 7.8.8.1 Soft-start voltage levels

[Figure 13](#) shows the relationship between the soft-start voltage on pin SSHBC/EN and the oscillator current.

At initial start-up,  $V_{SSHBC/EN} < V_{fmax(SSHBC)}$  (3.2 V), which corresponds with the maximum frequency. During start-up,  $C_{SSHBC}$  is charged,  $V_{SSHBC/EN}$  rises and the frequency decreases. The contribution of the soft-start function is zero when  $V_{SSHBC/EN} > V_{fmin(SSHBC)}$  (8.0 V).

$V_{SSHBC/EN}$  is clamped at a maximum of  $V_{clamp(SSHBC)}$  (8.4 V) (frequency is at a minimum) and at a minimum ( $\approx 3$  V). Below  $V_{fmax(SSHBC)}$  (maximum frequency), the discharge current is reduced to a maximum frequency soft-start current of 5  $\mu$ A. The voltage is clamped at a minimum of  $V_{pu(EN)}$  (3 V). Both clamp levels are just outside the operating

area between  $V_{fmax(SSHBC)}$  and  $V_{fmin(SSHBC)}$ . The margins avoid frequency disturbance during normal output voltage regulation, but ensure that overcurrent regulation can respond quickly.

### 7.8.8.2 Soft-start charge and discharge

At initial start-up, the soft-start capacitor  $C_{ss(HBC)}$  is charged to obtain a decreasing frequency sweep from the maximum to the operating frequency. The soft-start functionality is used to soft-start the resonant converter and for regulation purposes (such as overcurrent regulation).  $C_{ss(HBC)}$  can therefore be charged or discharged. A continuous alternation between charging and discharging occurs during overcurrent regulation. In this way  $V_{SSHBC/EN}$  can be regulated, overruling the signal from the feedback input.

The charge and discharge current can have a high value,  $I_{ss(hf)(SSHBC)}$  (160  $\mu$ A), resulting in fast charging and discharging. Or it can have a low value,  $I_{ss(lf)(SSHBC)}$  (40  $\mu$ A), resulting in a slow charging and discharging. This two-speed soft-start sweep allows a combination of a short start-up time for the resonant converter and stable regulation loops (such as overcurrent regulation).

The fast charge and discharge is used for the upper frequency range where  $V_{SSHBC/EN} < V_{ss(hf-lf)(SSHBC)}$  (5.6 V). In the upper frequency range, the currents in the converter do not react strongly to frequency variations.

The slow charge and discharge is used for the lower frequency range where  $V_{SSHBC/EN} > V_{ss(hf-lf)(SSHBC)}$  (5.6 V). In the lower frequency range, the currents in the converter react strongly to frequency variations.

[Section 7.8.10.2](#) describes how the two-speed soft-start function is used for overcurrent regulation.

The soft-start capacitor is not charged or discharged during non-operation time in Burst mode. The soft-start voltage does not change during this time.

### 7.8.8.3 Soft-start reset

Some protection functions, such as overcurrent protection, require fast correction of the operating frequency set point, but do not require switching to stop. See [Section 7.9](#) for details on which protection functions use this step to the maximum frequency. The TEA1716T has a special fast soft-start reset feature for the HBC controller that forces an immediate step to maximum frequency. Soft-start reset is also used when the HBC controller is enabled using the SSHBC/EN pin or after a restart to ensure a safe start at maximum frequency. Soft-start reset is not used when the operation was stopped in Burst mode.

When a protection function is activated, the oscillator control input is disconnected from the soft-start capacitor,  $C_{ss(HBC)}$ , which is connected between the SSHBC/EN pin and ground. The switching frequency is immediately set to a maximum. Setting the switching frequency to a maximum restores safe switching operation in most cases. At the same time, the capacitor is discharged to the maximum frequency level,  $V_{fmax(SSHBC)}$ . Once  $V_{SSHBC/EN}$  has reached this level, the oscillator control input is connected to the pin again and the normal soft-start sweep follows. [Figure 14](#) shows the soft-start reset and the two-speed frequency sweep downwards.

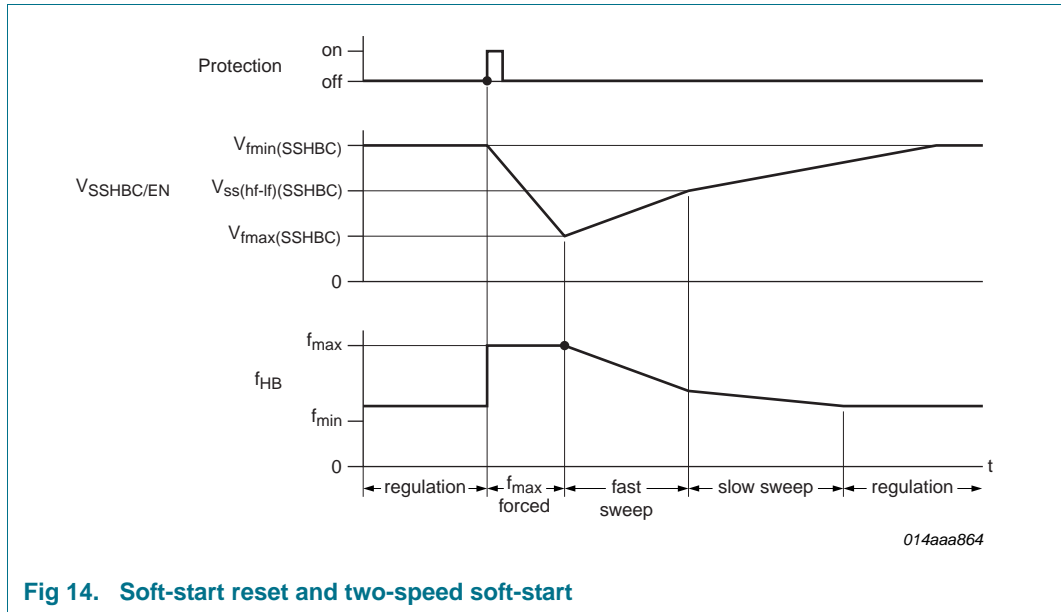


Fig 14. Soft-start reset and two-speed soft-start

**7.8.9 HBC high-frequency protection, HFP-HBC**

Normally the converter does not operate continuously at maximum frequency because it sweeps down to much lower values. Certain error conditions, such as a disconnected transformer, can cause the converter to operate continuously at maximum frequency. If zero-voltage switching conditions are no longer present, the MOSFETs can overheat. The TEA1716T features High-Frequency Protection (HFP) for the HBC controller to protect it from being damaged in such circumstances.

HFP senses the voltage across the internal resistor  $R_{fmax}$ . This voltage indicates the current frequency. When the frequency is higher than 75 % of the soft-start frequency range, the protection timer is started. The 75 % level corresponds to an  $R_{fmax}$  voltage of  $V_{hfp}(RFMAX)$  (4.31 V).

**7.8.10 HBC overcurrent regulation and protection, OCR and OCP (SNSCURHBC pin)**

The HBC controller is protected against overcurrent in two ways:

- OverCurrent Regulation (OCR) which increases the frequency slowly; the protection timer is also started.
- OverCurrent Protection (OCP) which steps to maximum frequency.

A boost voltage compensation function is used to reduce the variation in the output current protection level.

**7.8.10.1 Boost voltage compensation**

The primary current, also known as the resonant current, is sensed using the SNSCURHBC pin. It senses the momentary voltage across an external current sense resistor  $R_{cur}(HBC)$ . The use of the momentary current signal allows for fast overcurrent protection and simplifies the stabilizing of overcurrent regulation. The OCR and OCP comparators compare  $V_{SNSCURHBC}$  with the maximum positive and negative values.

The primary current is higher when the boost voltage is low for the same output power. Boost compensation is included to reduce the dependency of the protected output current level on the boost voltage. The boost compensation sources and sinks a current from the SNSCURHBC pin. This current creates a voltage drop across the series resistor  $R_{curcmp}$ .

The amplitude of the current is linearly dependent on the boost voltage. At nominal boost voltage, the current is zero and the voltage  $V_{Cur(HBC)}$  across the current sense resistor is also present on the SNSCURHBC pin. At the UVP-boost start level  $V_{uvp(SNSBOOST)}$ , the current is at a maximum. The current sink or source direction depends on the active gate signal. The voltage drop created across  $R_{curcmp}$  reduces the amplitude at the pin. This reduction in amplitude results in a higher effective current protection level. The  $R_{curcmp}$  value sets the amount of compensation. Figure 15 shows how the boost compensation works for an artificial current signal. The sinking compensation current only flows when  $V_{SNSCURHBC}$  is positive because of the circuit implementation.

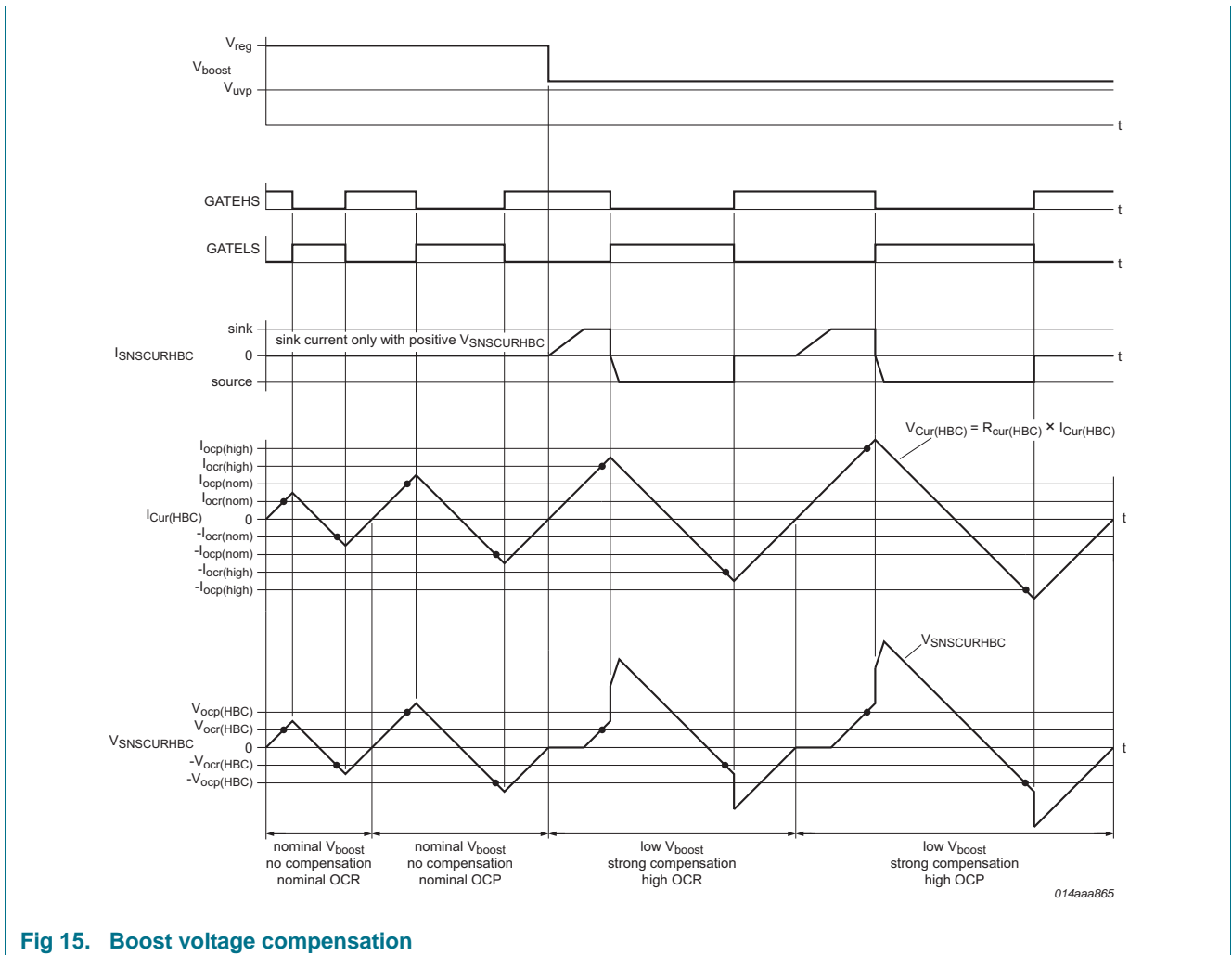


Fig 15. Boost voltage compensation

7.8.10.2 OverCurrent Regulation (OCR-HBC)

The lowest comparator levels at the SNSCURHBC pin  $V_{ocr(HBC)}$  ( $-0.5\text{ V}$  and  $+0.5\text{ V}$ ), relate to the overcurrent regulation voltage. There are comparators for both the positive and negative polarities. The positive comparator is active during the high-side on-time and

the following high-side to low-side non-overlap time. The negative comparator is active during the remaining time. If either level is exceeded, the frequency is slowly increased. Discharging the soft-start capacitor achieves this.

Each time the OCR level is exceeded, the event is latched until the next stroke and the soft-start discharge current is enabled. When both the positive and negative OCR levels are exceeded, the soft-start discharge current flows continuously.

Overcurrent regulation is very effective at limiting the output current during start-up. A smaller soft-start capacitor is used to achieve a faster start-up. Using a smaller capacitor can result in an output current that is too high at times. However, the OCR function slows down the frequency sweep when required to keep the output current within the specified limits. [Figure 16](#) shows the operation of the OCR during output voltage start-up.

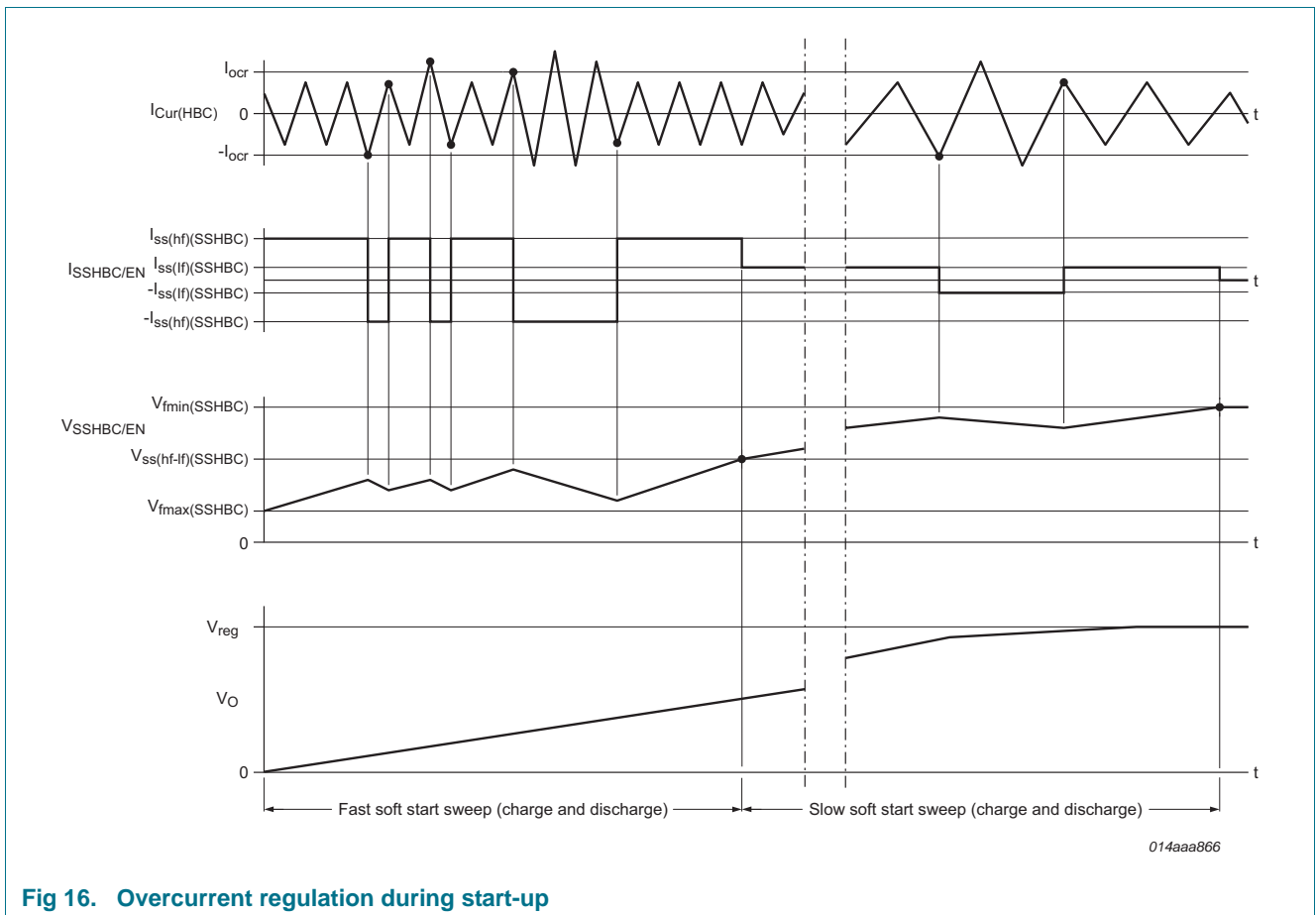


Fig 16. Overcurrent regulation during start-up

The protection timer is also started. The Restart state is activated when the OCR-HBC condition is still present after the protection time has elapsed.

7.8.10.3 OverCurrent Protection (OCP-HBC)

Under normal operating conditions, OCR is able to ensure the current remains below the specified maximum values. However, in the event of certain error conditions occur, however, it is not fast enough to limit the current. OCP is implemented to protect against those error conditions. The OCP level  $V_{ocp(HBC)}$  (-1.75 V and +1.75 V), is higher than the OCR level  $V_{ocr(HBC)}$ .

When the OCP level is reached, the frequency immediately jumps to the maximum value using the soft-start reset, then a normal sweep down.

### 7.8.11 HBC capacitive mode regulation, CMR (HB pin)

The MOSFETs in the half-bridge drive the resonant circuit. Depending on the output load, the output voltage and the switching frequency this resonant circuit can have an inductive or a capacitive impedance. Inductive impedance is preferred because it facilitates efficient zero-voltage switching.

Harmful switching in Capacitive mode is avoided using the adaptive non-overlap time function (see [Section 7.8.4.2](#)). An extra action is performed which results in Capacitive Mode Regulation (CMR). CMR causes the half-bridge circuit to return to Inductive mode from Capacitive mode.

Capacitive mode is detected when the HB slope does not start within  $t_{to(cmr)}$  after the MOSFETs have switched off. Detection of Capacitive mode increases the switching frequency. This increase is caused by discharging the soft-start capacitor with a relatively high current  $I_{cmr(hf)(SSHBC)}$  immediately after  $t_{to(cmr)}$  expires until the half-bridge slope starts. The frequency increase regulates the HBC to the border between capacitive and inductive mode.

## 7.9 Protection functions overview

Table 4. Overview protections

Protected part	Symbol	Protection	Affected	Action	Description
IC	UVP-SUPIC	Undervoltage protection SUPIC	IC	disable	<a href="#">Section 7.2.1</a>
IC	UVP-SUPREG	Undervoltage protection SUPREG	IC	disable	<a href="#">Section 7.2.2</a>
IC	UVP-supplies	Undervoltage protection supplies	IC	disable and reset	<a href="#">Section 7.3</a>
IC	SCP-SUPIC	Short circuit protection SUPIC	IC	low HV start-up current	<a href="#">Section 7.2.4</a>
IC	OVP-output	Overvoltage protection output	IC	shut-down	<a href="#">Section 7.5.4</a>
IC	FSP-output	Failed start protection output	IC	restart after protection time	<a href="#">Section 7.5.5</a>
IC	OTP	Overtemperature protection	IC	disable	<a href="#">Section 7.5.6</a>
PFC	OCR-PFC	Overcurrent regulation PFC	PFC	switch off cycle-by-cycle	<a href="#">Section 7.7.7</a>
PFC	UVP-mains	Undervoltage protection mains	PFC	suspend switching	<a href="#">Section 7.7.8</a>
PFC	OVP-boost	Overvoltage protection boost	PFC	suspend switching	<a href="#">Section 7.7.9</a>
PFC	SCP-boost	Short circuit protection boost	IC	restart	<a href="#">Section 7.7.10</a>
PFC	OLP-PFC	Open-loop protection PFC	IC	restart	<a href="#">Section 7.7.10</a>
HBC	UVP-boost	Undervoltage protection boost	HBC	disable	<a href="#">Section 7.8.2</a>
HBC	OLP-HBC	Open-loop protection HBC	IC	restart after protection time	<a href="#">Section 7.8.7</a>
HBC	HFP-HBC	High-frequency protection HBC	IC	restart after protection time	<a href="#">Section 7.8.9</a>
HBC	OCR-HBC	Overcurrent regulation HBC	HBC IC	increase frequency restart after protection time	<a href="#">Section 7.8.10.2</a>
HBC	OCP-HBC	Overcurrent protection HBC	HBC	step to maximum frequency	<a href="#">Section 7.8.10.3</a>
HBC	CMR	Capacitive mode regulation	HBC	increase frequency	<a href="#">Section 7.8.11</a>
HBC	ANO	Adaptive non-overlap	HBC	prevent hazardous switching	<a href="#">Section 7.8.4</a>

## 8. Limiting values

**Table 5. Limiting values**

In accordance with the Absolute Maximum Rating System (IEC 60134).; All voltages are measured with respect to the SGND pin; Currents are positive when flowing into the IC; The voltage ratings are valid provided other ratings are not violated; Current ratings are valid provided the maximum power rating is not violated.

Symbol	Parameter	Conditions	Min	Max	Unit
<b>Voltages</b>					
V <sub>SUPHV</sub>	voltage on pin SUPHV	continuous	-0.4	+630	V
V <sub>SUPHS</sub>	voltage on pin SUPHS	DC	-0.4	+570	V
		t < 0.5 s	-0.4	+630	V
		referenced to the HB pin	-0.4	+14	V
V <sub>SUPIC</sub>	voltage on pin SUPIC		-0.4	+38	V
V <sub>SNSAUXPFC</sub>	voltage on pin SNSAUXPFC		-25	+25	V
V <sub>SUPREG</sub>	voltage on pin SUPREG		-0.4	+12	V
V <sub>SNSOUT</sub>	voltage on pin SNSOUT		-0.4	+12	V
V <sub>RCPROT</sub>	voltage on pin RCPROT		-0.4	+12	V
V <sub>SNSFB</sub>	voltage on pin SNSFB		-0.4	+12	V
V <sub>SSHBC/EN</sub>	voltage on pin SSHBC/EN		-0.4	+12	V
V <sub>SNSBURST</sub>	voltage on pin SNSBURST		-0.4	+12	V
V <sub>GATEHS</sub>	voltage on pin GATEHS		[1] -0.4	V <sub>SUPHS</sub> + 0.4	V
V <sub>GATELS</sub>	voltage on pin GATELS		[1] -0.4	V <sub>SUPREG</sub> + 0.4	V
V <sub>GATEPFC</sub>	voltage on pin GATEPFC		[1] -0.4	V <sub>SUPREG</sub> + 0.4	V
V <sub>SNSCURHBC</sub>	voltage on pin SNSCURHBC		-5	+5	V
V <sub>SNSBOOST</sub>	voltage on pin SNSBOOST		-0.4	+12	V
V <sub>SNSMAINS</sub>	voltage on pin SNSMAINS		-0.4	+12	V
V <sub>SNSCURPFC</sub>	voltage on pin SNSCURPFC	current limited	-0.4	+5	V
V <sub>COMPFC</sub>	voltage on pin COMPPFC		-0.4	+5	V
V <sub>CFMIN</sub>	voltage on pin CFMIN		-0.4	+5	V
V <sub>PGND</sub>	voltage on pin PGND		-1	+1	V
<b>Currents</b>					
I <sub>GATEPFC</sub>	current into pin GATEPFC	duty cycle < 10 %	-0.8	+2	A
I <sub>SNSCURPFC</sub>	current into pin SNSCURPFC		-1	+10	mA
<b>General</b>					
P <sub>tot</sub>	total power dissipation	T <sub>amb</sub> < 75 °C	-	0.8	W
T <sub>stg</sub>	storage temperature		-55	+150	°C
T <sub>j</sub>	junction temperature		-40	+150	°C



**Table 5.** Limiting values ...continued

In accordance with the Absolute Maximum Rating System (IEC 60134).; All voltages are measured with respect to the SGND pin; Currents are positive when flowing into the IC; The voltage ratings are valid provided other ratings are not violated; Current ratings are valid provided the maximum power rating is not violated.

Symbol	Parameter	Conditions	Min	Max	Unit
<b>ESD</b>					
V <sub>ESD</sub>	electrostatic discharge voltage	Human body model			
		Pin 12 (SUPHV)	[2] -	1500	V
		Pin 13,14,15 (HS driver)	[2] -	1000	V
		other pins	[2] -	2000	V
		Machine model			
		All pins	[3] -	200	V
		Charged device model			
All pins	-	500	V		

[1] Exceeding this rating for short peak currents ( $t < 10 \mu\text{s}$ ) is allowed.

[2] Equivalent to discharging a 100 pF capacitor through a 1.5 k $\Omega$  series resistor.

[3] Equivalent to discharging a 200 pF capacitor through a 0.75  $\mu\text{H}$  coil and a 10  $\Omega$  resistor.

## 9. Thermal characteristics

**Table 6.** Thermal characteristics

Symbol	Parameter	Conditions	Typ	Unit
R <sub>th(j-a)</sub>	thermal resistance from junction to ambient	in free air; JEDEC single layer test board	90	K/W

## 10. Characteristics

**Table 7.** Characteristics

$T_{amb} = 25 \text{ }^\circ\text{C}$ ;  $V_{SUPIC} = 20 \text{ V}$ ;  $V_{SUPHV} > 40 \text{ V}$ ; all voltages are measured with respect to SGND; currents are positive when flowing into the IC; unless otherwise specified

Symbol	Parameter	Conditions	Min	Typ	Max	Unit
<b>High-voltage start-up source (pin SUPHV)</b>						
I <sub>dism(SUPHV)</sub>	disable mode current on pin SUPHV	Disabled IC state	-	140	-	$\mu\text{A}$
I <sub>red(SUPHV)</sub>	reduced current on pin SUPHV	$V_{SUPIC} < V_{scp(SUPIC)}$	-	1.2	-	mA
I <sub>nom(SUPHV)</sub>	nominal current on pin SUPHV	$V_{SUPIC} < V_{start(hvd)(SUPIC)}$	4.3	5.1	-	mA
I <sub>tko(SUPHV)</sub>	takeover current on pin SUPHV	$V_{SUPIC} > V_{start(hvd)(SUPIC)}$	-	7	-	$\mu\text{A}$
V <sub>det(SUPHV)</sub>	detection voltage on pin SUPHV		-	-	25	V
V <sub>rst(SUPHV)</sub>	reset voltage on pin SUPHV	$V_{SUPIC} < V_{rst(SUPIC)}$	-	7	-	V

**Table 7. Characteristics ...continued**

$T_{amb} = 25\text{ °C}$ ;  $V_{SUPIC} = 20\text{ V}$ ;  $V_{SUPHV} > 40\text{ V}$ ; all voltages are measured with respect to SGND; currents are positive when flowing into the IC; unless otherwise specified

Symbol	Parameter	Conditions	Min	Typ	Max	Unit	
<b>Low-voltage IC supply (pin SUPIC)</b>							
$V_{start(hvd)}(SUPIC)$	start voltage with high voltage detected	$V_{SUPHV} > V_{det}(SUPHV)$	19	20	21	V	
$V_{start(nohvd)}(SUPIC)$	start voltage with no high voltage detected	$V_{SUPHV} < V_{det}(SUPHV)$ or open	14.1	15	15.9	V	
$V_{start(hys)}(SUPIC)$	hysteresis of start voltage on pin SUPIC		-	0.3	-	V	
$V_{uvp}(SUPIC)$	undervoltage protection voltage on pin SUPIC		12.3	13	13.7	V	
$V_{rst}(SUPIC)$	reset voltage on pin SUPIC	$V_{SUPHV} < V_{rst}(SUPHV)$	-	7	-	V	
$V_{scp}(SUPIC)$	short-circuit protection voltage on pin SUPIC		0.55	0.65	0.75	V	
$I_{ch(red)}(SUPIC)$	reduced charge current on pin SUPIC	$V_{SUPIC} < V_{scp}(SUPIC)$	-	-0.95	-	mA	
$I_{ch(nom)}(SUPIC)$	nominal charge current on pin SUPIC		-	-4.8	-4.0	mA	
$I_{dism}(SUPIC)$	current on pin SUPIC in disabled mode	Disabled IC state	-	0.22	0.29	mA	
$I_{protm}(SUPIC)$	current on pin SUPIC in protection mode	SUPIC charge, SUPREG charge; Restart or Shutdown state	-	0.4	-	mA	
$I_{oper}(SUPIC)$	current on pin SUPIC in operating mode	Operational supply state; Driver pins open.	-	3.2	3.7	mA	
$I_{burstm}(SUPIC)$	burst mode current on pin SUPIC	Burst stop state	-	0.6	0.75	mA	
<b>Regulated supply (pin SUPREG)</b>							
$V_{reg}(SUPREG)$	regulation voltage on pin SUPREG	$I_{SUPREG} = -1\text{ mA to }-40\text{ mA}$	[1]	11.0	11.3	11.6	V
$V_{start}(SUPREG)$	start voltage on pin SUPREG		[1]	-	10.7	-	V
$V_{uvp}(SUPREG)$	undervoltage protection voltage on pin SUPREG		[1]	-	10	10.4	V
$I_{ch}(SUPREG)_{max}$	maximum charge current on pin SUPREG	$V_{SUPREG} > V_{uvp}(SUPREG)$	-40	-100	-	mA	
$I_{ch(red)}(SUPREG)$	reduced charge current on pin SUPREG	$V_{SUPREG} < V_{uvp}(SUPREG)$ ; $T = 25\text{ °C}$ .	-	-5.5	-	mA	
		$T = 140\text{ °C}$	-	-	-2.5	mA	
<b>Enable input (pin SSHBC/EN)</b>							
$V_{en(PFC)}(EN)$	PFC enable voltage on pin EN	PFC only	[2]	0.8	1.2	1.4	V
$V_{en(IC)}(EN)$	IC enable voltage on pin EN	PFC + HBC	[2]	1.8	2.2	2.4	V
$I_{pu}(EN)$	pull-up current on pin EN	$V_{SSHBC/EN} = 2.5\text{ V}$	-	-42	-	μA	
$V_{pu}(EN)$	pull-up voltage on pin EN		-	3.0	-	V	

**Table 7. Characteristics ...continued**

$T_{amb} = 25\text{ °C}$ ;  $V_{SUPIC} = 20\text{ V}$ ;  $V_{SUPHV} > 40\text{ V}$ ; all voltages are measured with respect to SGND; currents are positive when flowing into the IC; unless otherwise specified

Symbol	Parameter	Conditions	Min	Typ	Max	Unit
<b>Fast shut-down reset (pin SNSMAINS)</b>						
$V_{rst}(SNSMAINS)$	reset voltage on pin SNSMAINS		[2] -	0.8	-	V
<b>Protection and restart timer (pin RCPROT)</b>						
$V_{u}(RCPROT)$	upper voltage on pin RCPROT		3.8	4.0	4.2	V
$V_{l}(RCPROT)$	lower voltage on pin RCPROT		0.4	0.5	0.6	V
$I_{ch}(fast)(RCPROT)$	fast-charge current on pin RCPROT		-	-2.2	-	mA
$I_{ch}(slow)(RCPROT)$	slow-charge current on pin RCPROT		-120	-100	-80	$\mu\text{A}$
<b>Output voltage protection sensing, OVP/FSP output (pin SNSOUT)</b>						
$V_{ovp}(SNSOUT)$	overvoltage protection voltage on pin SNSOUT		[2] 3.40	3.50	3.60	V
$V_{fsp}(SNSOUT)$	failed start protection voltage on pin SNSOUT		[2] 2.35	2.5	2.65	V
$I_{pu}(SNSOUT)$	pull-up current on pin SNSOUT		-	75	-	nA
<b>Overtemperature protection</b>						
$T_{otp}$	overtemperature protection trip		[2] 130	150	160	$^{\circ}\text{C}$
<b>Burst mode activation (pin SNSBURST)</b>						
$V_{burst}(SNSBURST)$	burst mode voltage on pin SNSBURST	Burst stop state activation	3.42	3.5	3.58	V
$V_{burst}(hys)SNSBURST$	burst mode hysteresis voltage on pin SNSBURST		-	23	-	mV
$I_{burst}(hys)SNSBURST$	burst mode hysteresis current on pin SNSBURST	$V_{SNSBURST} < V_{burst}(SNSBURST)$	2.5	3	3.5	$\mu\text{A}$
$R_{pd}(SNSOUT)$	pull-down resistance on pin SNSOUT	Burst stop state	-	400	-	$\Omega$
<b>PFC driver (pin GATEPFC)</b>						
$I_{source}(GATEPFC)$	source current on pin GATEPFC	$V_{GATEPFC} = 2\text{ V}$	-	-0.6	-	A
$I_{sink}(GATEPFC)$	sink current on pin GATEPFC	$V_{GATEPFC} = 2\text{ V}$	-	0.6	-	A
		$V_{GATEPFC} = 10\text{ V}$	-	1.4	-	A
<b>PFC on-timer (pin COMPPFC)</b>						
$V_{ton}(COMPPFC)_{zero}$	zero on-time voltage on pin COMPPFC		-	3.5	-	V
$V_{ton}(COMPPFC)_{max}$	maximum on-time voltage on pin COMPPFC		-	1.25	-	V
$f_{max}(PFC)$	PFC maximum frequency		100	125	150	kHz

**Table 7. Characteristics ...continued**

$T_{amb} = 25\text{ }^{\circ}\text{C}$ ;  $V_{SUPIC} = 20\text{ V}$ ;  $V_{SUPHV} > 40\text{ V}$ ; all voltages are measured with respect to SGND; currents are positive when flowing into the IC; unless otherwise specified

Symbol	Parameter	Conditions	Min	Typ	Max	Unit	
$t_{off(PFC)min}$	minimum PFC off-time		-	1.4	-	$\mu\text{s}$	
<b>PFC error amplifier (pins SNSBOOST and COMPPFC)</b>							
$V_{reg(SNSBOOST)}$	regulation voltage on pin SNSBOOST	$I_{COMPPFC} = 0$	2.475	2.500	2.525	V	
$g_m$	transconductance	$V_{SNSBOOST}$ to $I_{COMPPFC}$ ; $ V_{SNSBOOST} - V_{reg(SNSBOOST)}  < 40\text{ mV}$	-	80	-	$\mu\text{A/V}$	
$I_{sink(COMPPFC)}$	sink current on pin COMPPFC	$V_{SNSBOOST} = 2.0\text{ V}$	-	90	-	$\mu\text{A}$	
$I_{source(COMPPFC)}$	source current on pin COMPPFC	$V_{SNSBOOST} = 3.3\text{ V}$	-	-90	-	$\mu\text{A}$	
$V_{offset(gm)high}$	high-transconductance offset voltage	pin SNSBOOST; $I_{COMPPFC} = -40\text{ }\mu\text{A}$	-	100	-	mV	
		$I_{COMPPFC} = +40\text{ }\mu\text{A}$	-	-100	-	mV	
$V_{clamp(COMPPFC)}$	clamp voltage on pin COMPPFC		[3]	4	-	V	
<b>PFC mains compensation (pin SNSMAINS)</b>							
$t_{on(max)}$	maximum on-time	high mains; $V_{SNSMAINS} = 3.3\text{ V}$	3.5	4.7	5.9	$\mu\text{s}$	
		low mains; $V_{SNSMAINS} = 0.97\text{ V}$	29	44	59	$\mu\text{s}$	
$V_{mvc(SNSMAINS)max}$	maximum mains voltage compensation voltage on pin SNSMAINS		4.0	-	-	V	
<b>PFC demagnetization sensing (pin SNSAUXPFC)</b>							
$V_{demag(SNSAUXPFC)}$	demagnetization voltage on pin SNSAUXPFC		-150	-100	-50	mV	
$t_{to(mag)}$	magnetization time-out time		40	50	60	$\mu\text{s}$	
$I_{prot(SNSAUXPFC)}$	protection current on pin SNSAUXPFC	$V_{SNSAUXPFC} = 50\text{ mV}$	-75	-33	-	nA	
<b>PFC valley sensing (pin SNSAUXPFC)</b>							
$(dV/dt)_{vrec(min)}$	minimum valley recognition rate of voltage change		-	-	1.7	$\text{V}/\mu\text{s}$	
$t_{slope(vrec)min}$	minimum valley recognition slope time	$V_{SNSAUXPFC} = 1\text{ V (p-p)}$	[4]	-	-	300	ns
		demagnetization to $\Delta V/\Delta t = 0$	[5]	-	-	50	ns
$t_{d(val-dem)max}$	maximum valley-to-demagnetization delay time		-	200	-	ns	
$t_{to(vrec)}$	valley recognition time-out time		3	4	6	$\mu\text{s}$	
<b>PFC soft-start (pin SNSCURPFC)</b>							
$I_{ch(ss)(PFC)}$	PFC soft-start charge current		-	-60	-	$\mu\text{A}$	
$V_{clamp(ss)(PFC)}$	PFC soft-start clamp voltage		[1]	0.44	0.50	0.56	V

**Table 7. Characteristics ...continued**

$T_{amb} = 25\text{ }^{\circ}\text{C}$ ;  $V_{SUPIC} = 20\text{ V}$ ;  $V_{SUPHV} > 40\text{ V}$ ; all voltages are measured with respect to SGND; currents are positive when flowing into the IC; unless otherwise specified

Symbol	Parameter	Conditions	Min	Typ	Max	Unit
$V_{stop(ss)(PFC)}$	PFC soft-start stop voltage		[1] -	0.45	-	V
$R_{ss(PFC)}$	PFC soft-start resistor		12	-	-	k $\Omega$
<b>PFC overcurrent sensing (pin SNSCURPFC)</b>						
$V_{ocr(PFC)}$	PFC overcurrent regulation voltage	$dV/dt = 50\text{ mV}/\mu\text{s}$	0.49	0.52	0.55	V
		$dV/dt = 200\text{ mV}/\mu\text{s}$	0.51	0.54	0.57	V
$t_{leb(PFC)}$	PFC leading edge blanking time		250	310	370	ns
$I_{prot(SNSCURPFC)}$	protection current on pin SNSCURPFC		-50	-33	-	nA
<b>PFC mains voltage sensing and clamp (pin SNSMAINS)</b>						
$V_{start(SNSMAINS)}$	start voltage on pin SNSMAINS		[1] 1.11	1.15	1.19	V
$V_{uvp(SNSMAINS)}$	undervoltage protection voltage on pin SNSMAINS		[1] 0.84	0.89	0.94	V
$V_{pu(SNSMAINS)}$	pull-up voltage on pin SNSMAINS	UVP-mains active	[1] -	1.05	-	V
$I_{pu(SNSMAINS)}$	maximum clamp current	UVP-mains active	-	-42	-35	$\mu\text{A}$
$I_{prot(SNSMAINS)}$	Protection current on pin SNSMAINS	$V_{SNSMAINS} > V_{uvp(SNSMAINS)}$	-	33	100	nA
<b>PFC boost voltage protection sensing, SCP/UVP/OVP boost (pin SNSBOOST)</b>						
$V_{scp(SNSBOOST)}$	short circuit protection voltage on pin SNSBOOST		0.35	0.40	0.45	V
$V_{start(SNSBOOST)}$	start voltage on pin SNSBOOST		-	2.30	2.40	V
$V_{uvp(SNSBOOST)}$	undervoltage protection voltage on pin SNSBOOST		1.50	1.60	-	V
$V_{ovp(SNSBOOST)}$	overvoltage protection voltage on pin SNSBOOST		2.59	2.63	2.67	V
$I_{prot(SNSBOOST)}$	protection current on pin SNSBOOST	$V_{SNSBOOST} = 2.4\text{ V}$	-	45	100	nA
<b>HBC high-side and low-side driver (pin GATEHS and GATELS)</b>						
$I_{source(GATEHS)}$	source current on pin GATEHS	$V_{GATEHS} - V_{HB} = 4\text{ V}$	-	-310	-	mA
$I_{source(GATELS)}$	source current on pin GATELS	$V_{GATELS} - V_{PGND} = 4\text{ V}$	-	-310	-	mA
$I_{sink(GATEHS)}$	sink current on pin GATEHS	$V_{GATEHS} - V_{HB} = 2\text{ V}$ ;	-	560	-	mA
		$V_{GATEHS} - V_{HB} = 11\text{ V}$	-	1.9	-	A
$I_{sink(GATELS)}$	sink current on pin GATELS	$V_{GATELS} - V_{PGND} = 2\text{ V}$	-	560	-	mA
		$V_{GATELS} - V_{PGND} = 11\text{ V}$	-	1.9	-	A

**Table 7. Characteristics ...continued**

$T_{amb} = 25\text{ }^{\circ}\text{C}$ ;  $V_{SUPIC} = 20\text{ V}$ ;  $V_{SUPHV} > 40\text{ V}$ ; all voltages are measured with respect to SGND; currents are positive when flowing into the IC; unless otherwise specified

Symbol	Parameter	Conditions	Min	Typ	Max	Unit
$V_{rst(SUPHS)}$	reset voltage on pin SUPHS		-	4.5	-	V
$I_{q(SUPHS)}$	quiescent current on pin SUPHS	$V_{SUPHS} - V_{HB} = 11\text{ V}$	-	37	-	$\mu\text{A}$
<b>HBC adaptive non-overlap time (pin HB)</b>						
$(dV/dt)_{ano(min)}$	minimum adaptive non-overlap time rate of voltage change		-	-	120	$\text{V}/\mu\text{s}$
$t_{no(min)}$	minimum non-overlap time		-	-	160	ns
<b>HBC current controlled oscillator (pin CFMIN)</b>						
$f_{min(HB)}$	minimum frequency on pin HB	$C_{fmin} = 390\text{ pF}$ ; $V_{SSHBC/EN} > V_{fmin(SSHBC)}$ $V_{SNSFB} > V_{fmin(SNSFB)}$	40	45	50	kHz
$I_{osc(min)}$	minimum oscillator current	charge and discharge	138	153	168	$\mu\text{A}$
$I_{osc(burst)}/I_{min}$	burst oscillator current to minimum current ratio	$V_{SNSFB} = 5\text{ V}$ ; $I_{min} = I_{osc(min)} = 153\text{ }\mu\text{A}$	2.50	2.72	2.93	-
$I_{osc(fbck)}/I_{min}$	feedback oscillator current to minimum current ratio	$V_{SNSFB} < V_{fmax(SNSFB)}$ ; $I_{min} = I_{osc(min)} = 153\text{ }\mu\text{A}$ ; maximum oscillator feedback current	3.53	3.92	4.31	-
$I_{osc(ss)}/I_{min}$	soft-start oscillator current to minimum current ratio	$V_{SSHBC/EN} < V_{fmax(SSHBC)}$ ; $I_{min} = I_{osc(min)} = 153\text{ }\mu\text{A}$ ; maximum oscillator soft-start current	4.54	5.65	6.77	-
$I_{osc(red)}$	reduced oscillator current	Slowed-down oscillator	-	-30	-	$\mu\text{A}$
$f_{limit(HB)}$	limit frequency on pin HB	$C_{fmin} = 20\text{ pF}$	500	670	-	kHz
$V_{u(CFMIN)}$	upper voltage on pin CFMIN		2.85	3.0	3.15	V
$V_{l(CFMIN)}$	lower voltage on pin CFMIN		0.9	1.0	1.1	V
<b>HBC feedback input (pin SNSFB)</b>						
$V_{olp(SNSFB)}$	open-loop protection voltage on pin SNSFB		<a href="#">2</a> 7.7	8.2	8.5	V
$V_{fmin(SNSFB)}$	minimum frequency voltage on pin SNSFB		6.1	6.4	6.9	V
$V_{fmax(SNSFB)}$	maximum frequency voltage on pin SNSFB	$V_{SSHBC/EN} > V_{fmin(SSHBC)}$	3.9	4.1	4.3	V
<b>HBC soft-start (pin SSHBC/EN)</b>						
$V_{fmax(SSHBC)}$	maximum frequency voltage on pin SSHBC		-	3.2	-	V
$V_{fmin(SSHBC)}$	minimum frequency voltage on pin SSHBC	$V_{SNSFB} > V_{fmin(SNSFB)}$	7.7	8.0	8.3	V
$V_{clamp(SSHBC)}$	clamp voltage on pin SSHBC		-	8.4	-	V

**Table 7. Characteristics ...continued**

$T_{amb} = 25\text{ °C}$ ;  $V_{SUPIC} = 20\text{ V}$ ;  $V_{SUPHV} > 40\text{ V}$ ; all voltages are measured with respect to SGND; currents are positive when flowing into the IC; unless otherwise specified

Symbol	Parameter	Conditions	Min	Typ	Max	Unit
$V_{ss(hf-lf)}(SSHBC)$	high-low frequency soft-start voltage on pin SSHBC		[2] -	5.6	-	V
$I_{ss(hf)}(SSHBC)$	high-frequency soft start current on pin SSHBC	$V_{SSHBC} < V_{ss(lf-hf)}(SSHBC)$				
		charge current	-	-160	-	$\mu\text{A}$
		discharge current	-	+160	-	$\mu\text{A}$
$I_{ss(lf)}(SSHBC)$	low-frequency soft start current on pin SSHBC	$V_{SSHBC} > V_{ss(lf-hf)}(SSHBC)$				
		charge current	-	-40	-	$\mu\text{A}$
		discharge current	-	+40	-	$\mu\text{A}$
$I_{cmr(hf)}(SSHBC)$	high frequency CMR current on pin SSHBC	$V_{SSHBC} < V_{ss(lf-hf)}(SSHBC)$ discharge only	-	1800	-	$\mu\text{A}$
$I_{cmr(lf)}(SSHBC)$	low frequency CMR current on pin SSHBC	$V_{SSHBC} > V_{ss(lf-hf)}(SSHBC)$ discharge only	-	440	-	$\mu\text{A}$
<b>HBC high frequency sensing, HFP-HBC (pin CFMIN)</b>						
$I_{osc(hfp)}/I_{min}$	high-frequency protection oscillator current to minimum current ratio	$I_{min} = I_{osc(min)} = 153\text{ }\mu\text{A}$	3.89	4.31	4.73	
<b>HBC overcurrent sensing, OCR/OCP-HBC (pin SNSCURHBC)</b>						
$V_{ocr}(HBC)$	HBC overcurrent regulation voltage	positive level; HS on + HS-LS non-overlap time	+0.45	+0.50	+0.55	V
		negative level; LS on + LS-HS non-overlap time	-0.55	-0.50	-0.45	V
$V_{ocp}(HBC)$	HBC overcurrent protection voltage	positive level; HS on + HS-LS non-overlap time	+1.6	+1.75	+1.9	V
		negative level; LS on + LS-HS non-overlap time	-1.9	-1.75	-1.6	V
$I_{bstc}(SNSCURHBC)_{max}$	maximum boost compensation current on pin SNSCURHBC	$V_{SNSBOOST} = 1.8\text{ V}$				
		source current; $V_{SNSCURHBC} = -0.5\text{ V}$	-	-175	-	$\mu\text{A}$
		sink current; $V_{SNSCURHBC} = 0.5\text{ V}$	-	175	-	$\mu\text{A}$
<b>HBC Capacitive Mode Protection (CMP) (pin HB)</b>						
$t_{to}(cmr)$	time-out capacitive mode regulation		-	690	-	ns

- [1] The marked levels on this pin are correlated. The voltage difference between the levels has much less spread than the absolute value of the levels themselves.
- [2] Switching level has some hysteresis. The hysteresis falls within the limits.
- [3] For a typical application with a compensation network on the COMPPFC pin, like the example in [Figure 17](#).
- [4] Minimum required voltage change time for valley recognition on the SNSAUXPFC pin.
- [5] Minimum time required between demagnetization detection and  $\Delta V/\Delta t = 0$  on the SNSAUXPFC pin.

### 11. Application information

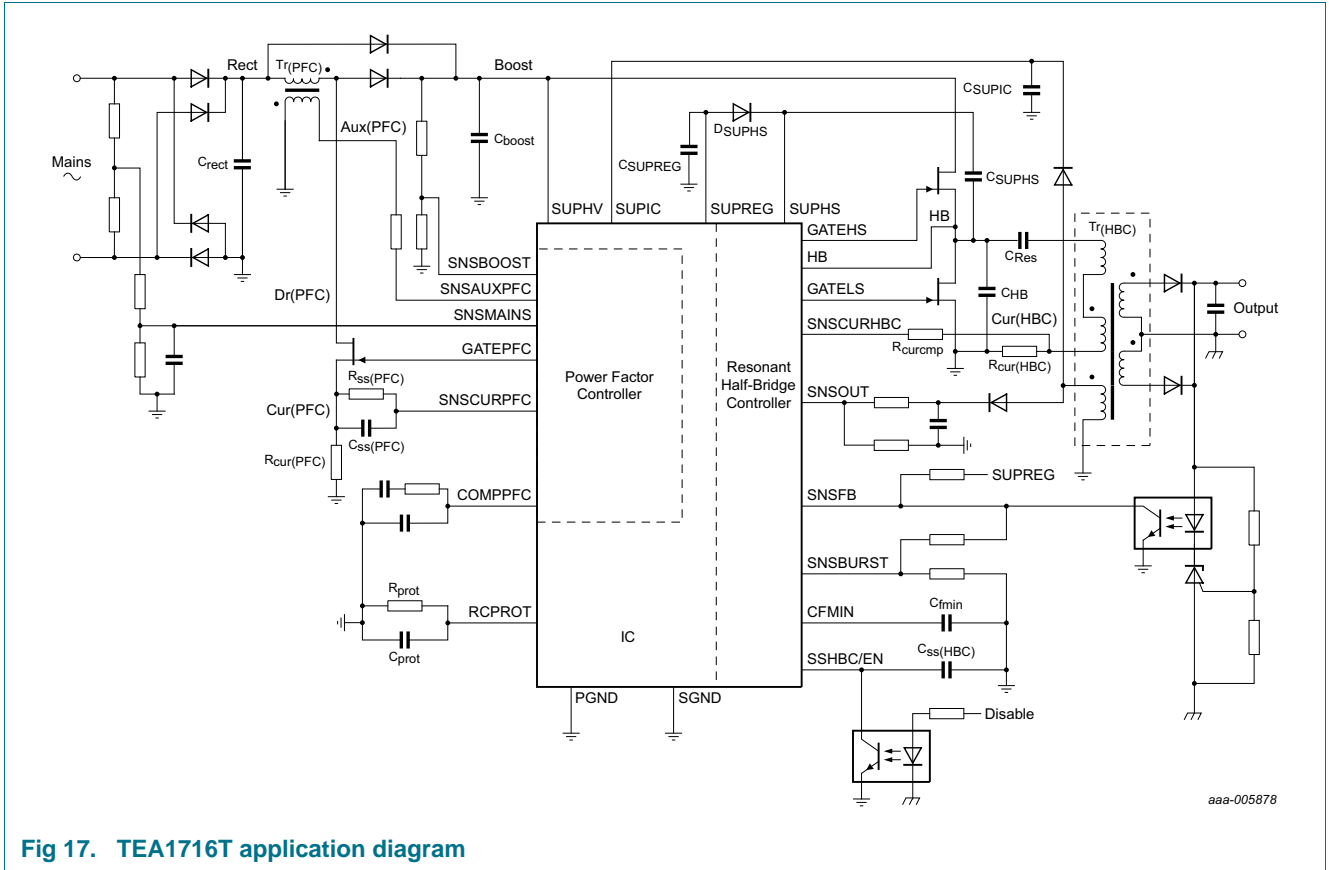


Fig 17. TEA1716T application diagram



12. Package outline

SO24: plastic small outline package; 24 leads; body width 7.5 mm

SOT137-1

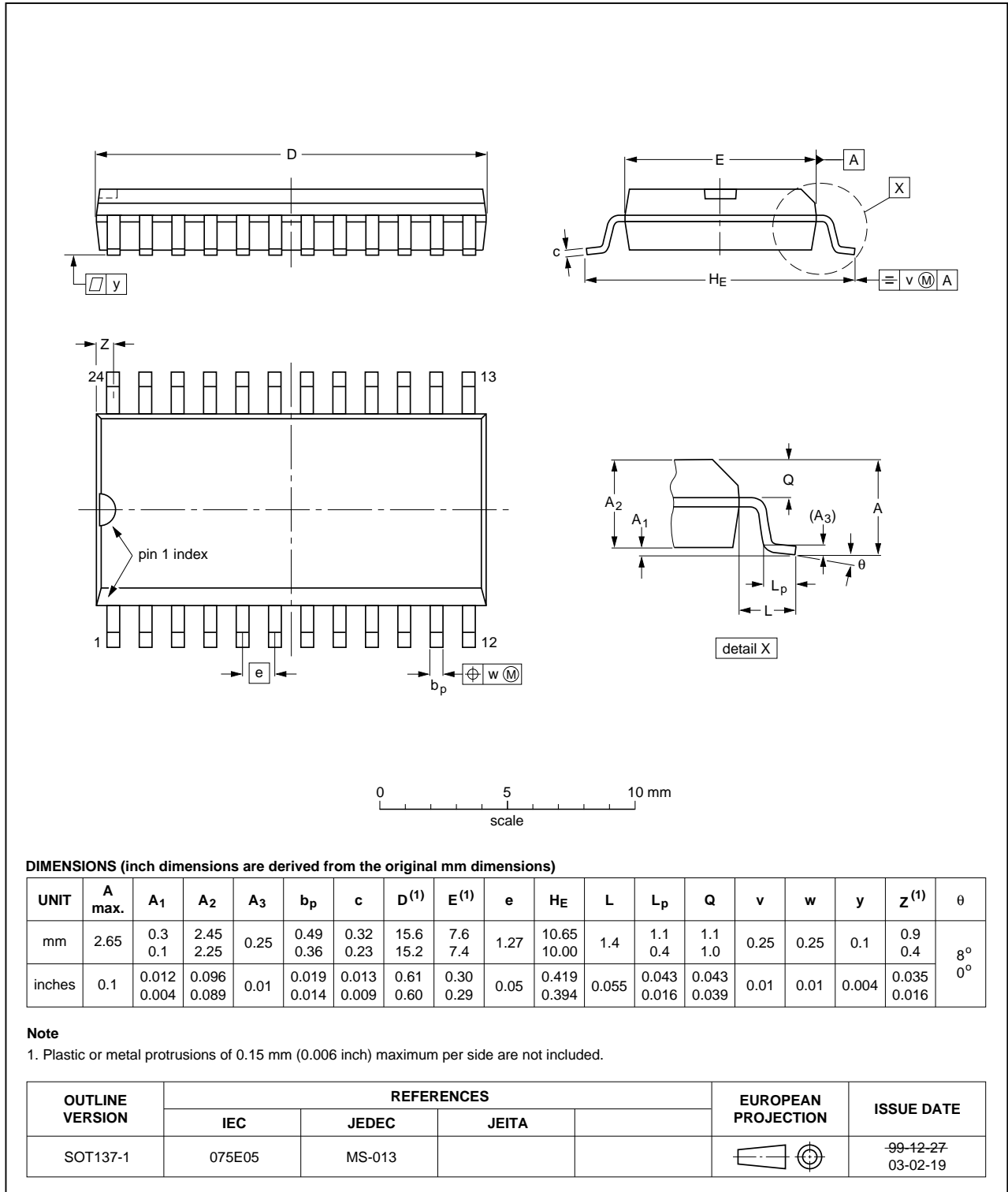


Fig 18. Package outline SOT137 (SO24)

## 13. Abbreviations

**Table 8. Abbreviations**

<b>Acronym</b>	<b>Description</b>
ANO	Adaptive Non-Overlap
CMOS	Complementary Metal-Oxide-Semiconductor'
CMR	Capacitive Mode Regulation
DMOS	Double-diffused Metal-Oxide-Semiconductor
EMI	ElectroMagnetic Interference
FSP	Failed Start Protection
HBC	Half-Bridge Converter or Controller. Resonant converter which generates the regulated output voltage.
HFP	High-Frequency Protection
HV	High-voltage
OCP	OverCurrent Protection
OCR	OverCurrent Regulation
OLP	Open-Loop Protection
OTP	OverTemperature Protection
OVP	OverVoltage Protection
PFC	Power Factor Converter or Controller. Converter which performs the power factor correction.
UVP	UnderVoltage Protection
SCP	Short-Circuit Protection

## 14. Revision history

Table 9. Revision history

Document ID	Release date	Data sheet status	Change notice	Supersedes
TEA1716T v.3	20121130	Product data sheet	-	TEA1716T v.2
Modifications:	• Text and drawings updated throughout entire data sheet.			
TEA1716T v.2	20120821	Product data sheet	-	TEA1716T v.1
TEA1716T v.1	20120127	Objective data sheet	-	-

## 15. Legal information

### 15.1 Data sheet status

Document status <sup>[1][2]</sup>	Product status <sup>[3]</sup>	Definition
Objective [short] data sheet	Development	This document contains data from the objective specification for product development.
Preliminary [short] data sheet	Qualification	This document contains data from the preliminary specification.
Product [short] data sheet	Production	This document contains the product specification.

[1] Please consult the most recently issued document before initiating or completing a design.

[2] The term 'short data sheet' is explained in section "Definitions".

[3] The product status of device(s) described in this document may have changed since this document was published and may differ in case of multiple devices. The latest product status information is available on the Internet at URL <http://www.nxp.com>.

### 15.2 Definitions

**Draft** — The document is a draft version only. The content is still under internal review and subject to formal approval, which may result in modifications or additions. NXP Semiconductors does not give any representations or warranties as to the accuracy or completeness of information included herein and shall have no liability for the consequences of use of such information.

**Short data sheet** — A short data sheet is an extract from a full data sheet with the same product type number(s) and title. A short data sheet is intended for quick reference only and should not be relied upon to contain detailed and full information. For detailed and full information see the relevant full data sheet, which is available on request via the local NXP Semiconductors sales office. In case of any inconsistency or conflict with the short data sheet, the full data sheet shall prevail.

**Product specification** — The information and data provided in a Product data sheet shall define the specification of the product as agreed between NXP Semiconductors and its customer, unless NXP Semiconductors and customer have explicitly agreed otherwise in writing. In no event however, shall an agreement be valid in which the NXP Semiconductors product is deemed to offer functions and qualities beyond those described in the Product data sheet.

### 15.3 Disclaimers

**Limited warranty and liability** — Information in this document is believed to be accurate and reliable. However, NXP Semiconductors does not give any representations or warranties, expressed or implied, as to the accuracy or completeness of such information and shall have no liability for the consequences of use of such information. NXP Semiconductors takes no responsibility for the content in this document if provided by an information source outside of NXP Semiconductors.

In no event shall NXP Semiconductors be liable for any indirect, incidental, punitive, special or consequential damages (including - without limitation - lost profits, lost savings, business interruption, costs related to the removal or replacement of any products or rework charges) whether or not such damages are based on tort (including negligence), warranty, breach of contract or any other legal theory.

Notwithstanding any damages that customer might incur for any reason whatsoever, NXP Semiconductors' aggregate and cumulative liability towards customer for the products described herein shall be limited in accordance with the *Terms and conditions of commercial sale* of NXP Semiconductors.

**Right to make changes** — NXP Semiconductors reserves the right to make changes to information published in this document, including without limitation specifications and product descriptions, at any time and without notice. This document supersedes and replaces all information supplied prior to the publication hereof.

**Suitability for use** — NXP Semiconductors products are not designed, authorized or warranted to be suitable for use in life support, life-critical or safety-critical systems or equipment, nor in applications where failure or malfunction of an NXP Semiconductors product can reasonably be expected to result in personal injury, death or severe property or environmental damage. NXP Semiconductors and its suppliers accept no liability for inclusion and/or use of NXP Semiconductors products in such equipment or applications and therefore such inclusion and/or use is at the customer's own risk.

**Applications** — Applications that are described herein for any of these products are for illustrative purposes only. NXP Semiconductors makes no representation or warranty that such applications will be suitable for the specified use without further testing or modification.

Customers are responsible for the design and operation of their applications and products using NXP Semiconductors products, and NXP Semiconductors accepts no liability for any assistance with applications or customer product design. It is customer's sole responsibility to determine whether the NXP Semiconductors product is suitable and fit for the customer's applications and products planned, as well as for the planned application and use of customer's third party customer(s). Customers should provide appropriate design and operating safeguards to minimize the risks associated with their applications and products.

NXP Semiconductors does not accept any liability related to any default, damage, costs or problem which is based on any weakness or default in the customer's applications or products, or the application or use by customer's third party customer(s). Customer is responsible for doing all necessary testing for the customer's applications and products using NXP Semiconductors products in order to avoid a default of the applications and the products or of the application or use by customer's third party customer(s). NXP does not accept any liability in this respect.

**Limiting values** — Stress above one or more limiting values (as defined in the Absolute Maximum Ratings System of IEC 60134) will cause permanent damage to the device. Limiting values are stress ratings only and (proper) operation of the device at these or any other conditions above those given in the Recommended operating conditions section (if present) or the Characteristics sections of this document is not warranted. Constant or repeated exposure to limiting values will permanently and irreversibly affect the quality and reliability of the device.

**Terms and conditions of commercial sale** — NXP Semiconductors products are sold subject to the general terms and conditions of commercial sale, as published at <http://www.nxp.com/profile/terms>, unless otherwise agreed in a valid written individual agreement. In case an individual agreement is concluded only the terms and conditions of the respective agreement shall apply. NXP Semiconductors hereby expressly objects to applying the customer's general terms and conditions with regard to the purchase of NXP Semiconductors products by customer.

**No offer to sell or license** — Nothing in this document may be interpreted or construed as an offer to sell products that is open for acceptance or the grant, conveyance or implication of any license under any copyrights, patents or other industrial or intellectual property rights.

**Export control** — This document as well as the item(s) described herein may be subject to export control regulations. Export might require a prior authorization from competent authorities.

**Non-automotive qualified products** — Unless this data sheet expressly states that this specific NXP Semiconductors product is automotive qualified, the product is not suitable for automotive use. It is neither qualified nor tested in accordance with automotive testing or application requirements. NXP Semiconductors accepts no liability for inclusion and/or use of non-automotive qualified products in automotive equipment or applications.

In the event that customer uses the product for design-in and use in automotive applications to automotive specifications and standards, customer (a) shall use the product without NXP Semiconductors' warranty of the

product for such automotive applications, use and specifications, and (b) whenever customer uses the product for automotive applications beyond NXP Semiconductors' specifications such use shall be solely at customer's own risk, and (c) customer fully indemnifies NXP Semiconductors for any liability, damages or failed product claims resulting from customer design and use of the product for automotive applications beyond NXP Semiconductors' standard warranty and NXP Semiconductors' product specifications.

## 15.4 Trademarks

Notice: All referenced brands, product names, service names and trademarks are the property of their respective owners.

## 16. Contact information

For more information, please visit: <http://www.nxp.com>

For sales office addresses, please send an email to: [salesaddresses@nxp.com](mailto:salesaddresses@nxp.com)

## 17. Contents

<b>1</b>	<b>General description</b> . . . . .	<b>1</b>	7.7.2.2	PFC mains compensation (SNSMAINS pin) . . . . .	17
<b>2</b>	<b>Features and benefits</b> . . . . .	<b>2</b>	7.7.3	PFC demagnetization sensing (SNSAUXPFC pin) . . . . .	18
2.1	General features . . . . .	2	7.7.4	PFC valley sensing (SNSAUXPFC pin) . . . . .	18
2.2	PFC controller features . . . . .	2	7.7.5	PFC frequency and off-time limiting . . . . .	19
2.3	HBC controller features . . . . .	2	7.7.6	PFC soft-start and soft-stop (SNSCURPFC pin) . . . . .	19
2.4	Protection features . . . . .	2	7.7.7	PFC overcurrent regulation, OCR-PFC (SNSCURPFC pin) . . . . .	20
<b>3</b>	<b>Applications</b> . . . . .	<b>3</b>	7.7.8	PFC mains undervoltage protection/brownout protection, UVP-mains (SNSMAINS pin) . . . . .	20
<b>4</b>	<b>Ordering information</b> . . . . .	<b>3</b>	7.7.9	PFC boost overvoltage protection, OVP-boost (SNSBOOST pin) . . . . .	21
<b>5</b>	<b>Block diagram</b> . . . . .	<b>4</b>	7.7.10	PFC short circuit/open-loop protection, SCP/OLP-PFC (SNSBOOST pin) . . . . .	21
<b>6</b>	<b>Pinning information</b> . . . . .	<b>5</b>	7.8	HBC controller . . . . .	21
6.1	Pinning . . . . .	5	7.8.1	HBC high-side and low-side driver (GATEHS and GATELS pins) . . . . .	21
6.2	Pin description . . . . .	5	7.8.2	HBC boost undervoltage protection, UVP-boost (SNSBOOST pin) . . . . .	21
<b>7</b>	<b>Functional description</b> . . . . .	<b>6</b>	7.8.3	HBC switch control . . . . .	22
7.1	Overview of IC modules . . . . .	6	7.8.4	HBC Adaptive Non-Overlap (ANO) time function (HB pin) . . . . .	22
7.2	Power supply . . . . .	7	7.8.4.1	Inductive mode (normal operation) . . . . .	22
7.2.1	Low-voltage supply input (SUPIC pin) . . . . .	7	7.8.4.2	Capacitive mode . . . . .	24
7.2.2	Regulated supply (SUPREG pin) . . . . .	8	7.8.5	HBC slope controlled oscillator (pin CFMIN) . . . . .	25
7.2.3	High-side driver floating supply (SUPHS pin) . . . . .	9	7.8.6	HBC feedback input (SNSFB pin) . . . . .	26
7.2.4	High-voltage supply input (SUPHV pin) . . . . .	9	7.8.7	HBC open-loop protection, OLP-HBC (SNSFB pin) . . . . .	26
7.3	Flow diagram . . . . .	9	7.8.8	HBC soft-start (pin SSHBC/EN) . . . . .	26
7.4	Enable input (SSHBC/EN pin) . . . . .	11	7.8.8.1	Soft-start voltage levels . . . . .	26
7.5	IC protection . . . . .	12	7.8.8.2	Soft-start charge and discharge . . . . .	27
7.5.1	IC restart and shutdown . . . . .	12	7.8.8.3	Soft-start reset . . . . .	27
7.5.2	Protection and restart timer . . . . .	13	7.8.9	HBC high-frequency protection, HFP-HBC . . . . .	28
7.5.2.1	Protection timer . . . . .	13	7.8.10	HBC overcurrent regulation and protection, OCR and OCP (SNSCURHBC pin) . . . . .	28
7.5.2.2	Restart timer . . . . .	13	7.8.10.1	Boost voltage compensation . . . . .	28
7.5.3	Fast shutdown reset (SNSMAINS pin) . . . . .	14	7.8.10.2	OverCurrent Regulation (OCR-HBC) . . . . .	29
7.5.4	Output overvoltage protection (SNSOUT pin) . . . . .	14	7.8.10.3	OverCurrent Protection (OCP-HBC) . . . . .	30
7.5.5	Output failed start protection, FSP-output (SNSOUT pin) . . . . .	14	7.8.11	HBC capacitive mode regulation, CMR (HB pin) . . . . .	31
7.5.6	OverTemperature Protection (OTP) . . . . .	15	7.9	Protection functions overview . . . . .	31
7.6	Burst mode operation (SNSBURST pin) . . . . .	15			
7.7	PFC controller . . . . .	15			
7.7.1	PFC gate driver (GATEPFC pin) . . . . .	16			
7.7.2	PFC on-time control . . . . .	16			
7.7.2.1	PFC error amplifier (COMPPFC and SNSBOOST pins) . . . . .	16			

continued >>

8 Limiting values..... 32  
9 Thermal characteristics ..... 33  
10 Characteristics..... 33  
11 Application information..... 40  
12 Package outline ..... 41  
13 Abbreviations..... 42  
14 Revision history..... 43  
15 Legal information..... 44  
15.1 Data sheet status ..... 44  
15.2 Definitions..... 44  
15.3 Disclaimers..... 44  
15.4 Trademarks..... 45  
16 Contact information..... 45  
17 Contents ..... 46

---

Please be aware that important notices concerning this document and the product(s) described herein, have been included in section 'Legal information'.

---

© NXP B.V. 2012.

All rights reserved.

For more information, please visit: <http://www.nxp.com>

For sales office addresses, please send an email to: [salesaddresses@nxp.com](mailto:salesaddresses@nxp.com)

Date of release: 30 November 2012

Document identifier: TEA1716T