

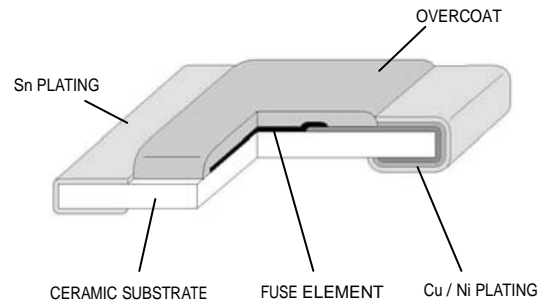
Description

- Fast acting for excessive current
- Compatible with reflow and wave solder
- Rugged ceramic and glass construction
- Excellent environmental performance
- RoHS Compliant ,Lead Free & Halogen Free material

Applications

- Telecommunication: PDA / DSL/ Cell Phones
- Computers: LCD Panel / Printers/ Laptop/ Servers
- Consumer Electronics: DVD player / MP3 MP4 Player

S0603F Series



Chip Fuse

Environmental Data

- Life Test: MIL-STD-202, Method 108A
- Humidity Bias: MIL-STD-202 , Method 103
- Moisture Resistance Test: MIL-STD-202, Method 106G
- Thermal Shock: MIL-STD-202, Method 107G
- Terminal Strength: AEC-Q200-006
- Board Flex: AEC-Q200-005 Appendix 2 Note: 1mm (Min)
- Vibration: MIL-STD-202, Method 204D
- Mechanical Shock:MIL-STD-202,Method 213B
- Solderability: MIL-STD-202 Method 208H
- Resistance to Solder Heat: MIL-STD-202,Method 210A

Electrical Characteristics

Ampere Rating	% of Amp Rating	Opening Time
250mA-6A	100%	4 Hours Minimum
250mA-6A	250%	5 Seconds Maximum

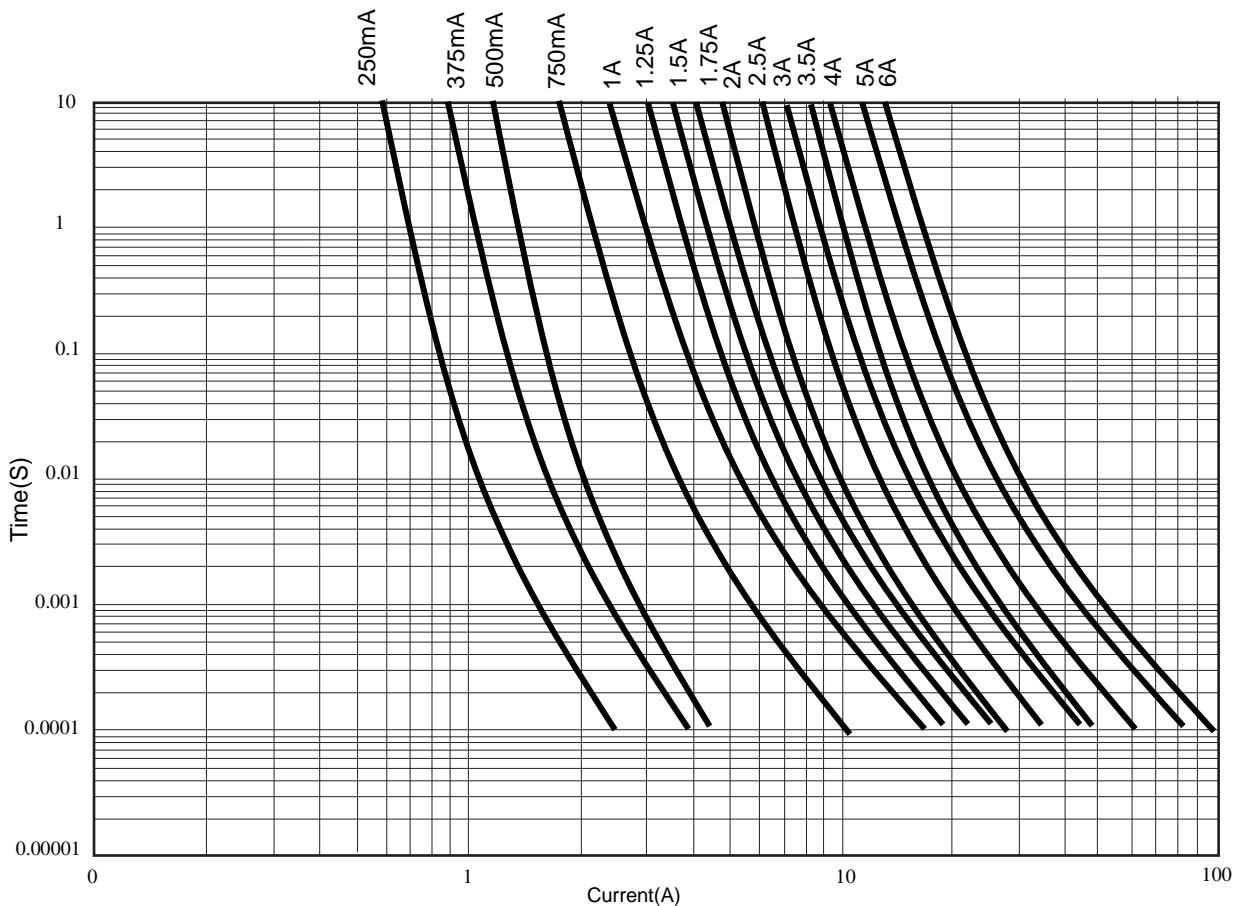
Electrical Specifications								
Product Code	Current Rating	Voltage Rating		Interrupting Rating*	Resistance (ohms)** Typ.	Typical Melt I ² t *** DC (A ² s)	Typical Voltage Drop (V)****	Alpha Code Marking *****
		AC	DC	AC/DC				
S0603F250	250mA	32V	32V	50A	5.1	0.0004	1.3	D
S0603F375	375mA	32V	32V	50A	2.4	0.0009	0.93	E
S0603F500	500mA	32V	32V	50A	1.1	0.0018	0.66	F

S0603F750	750mA	32V	32V	50A	0.7	0.0070	0.58	G
S0603F1	1A	32V	32V	50A	0.23	0.015	0.25	H
S0603F1.25	1.25A	32V	32V	35A	0.165	0.022	0.19	J
S0603F1.5	1.5A	32V	32V	35A	0.125	0.032	0.18	K
S0603F1.75	1.75A	32V	32V	35A	0.08	0.048	0.17	M
S0603F2	2A	32V	32V	35A	0.063	0.052	0.17	N
S0603F2.5	2.5A	32V	32V	35A	0.04	0.061	0.13	O
S0603F3	3A	32V	32V	35A	0.028	0.070	0.12	P
S0603F3.5	3.5A	32V	32V	35A	0.022	0.122	0.11	R
S0603F4	4A	32V	32V	35A	0.018	0.220	0.11	S
S0603F5	5A	32V	32V	35A	0.011	0.680	0.11	T
S0603F6	6A	32V	32V	35A	0.008	0.920	0.10	Y

*AC Interrupting Rating (Measured at rated voltage with a unity power factor); DC interrupting rating (Measured at rated voltage, time constant of less than 50 microseconds, battery source) **DC Cold Resistance (Measured at 10% of rated current) *** Typical Melting I2t (Measured with a battery bank at rated DC voltage, 10x-rated current, not to exceed IR, time constant of calibrated circuit less than 50 microseconds) (4A, 5A&6A measured at interrupting rating) **** Typical Voltage drop (measured at rated current after temperature stabilizes) Device designed to carry rated current for four hours minimum. An operating current of 75% or less of rated current is recommended, with further derating required at elevated ambient temperatures.

Chip Fuse

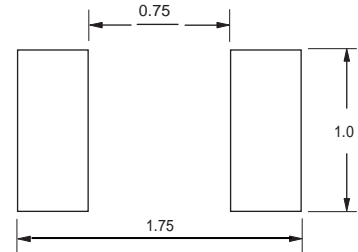
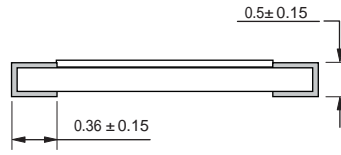
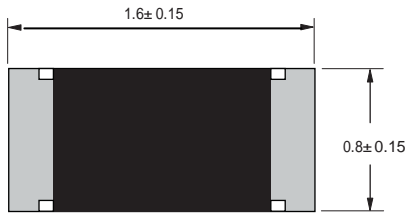
Typical Performance Curves



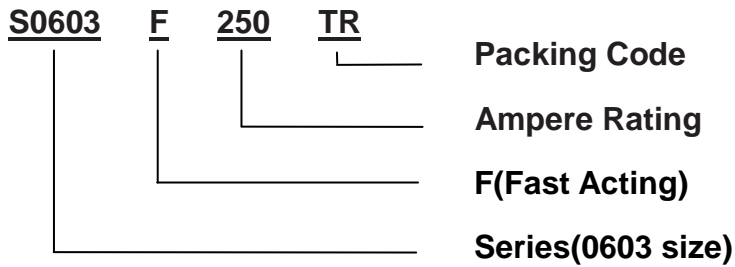
Product Dimension

Recommended Pad Layout

DIMENSIONS:mm



Part Number System



Specify Packaging and product code (i.e. S0603F250-TR)

Note: TR: 5,000 pieces of fuses on 8mm tape-and-reel on a 7 inch (178mm) reel per EIA Standard 481

Revision history

Date	Revision	Description of changes
31-July-2011	A	First issue

CAUTION / WARNING

- Information in this document is believed to be accurate and reliable. However, GOOD-ARK does not give any representations or warranties, expressed or implied, as to the accuracy or completeness of such information and shall have no liability for the consequences of use of such information.
- Users should independently evaluate the suitability of and test each product selected for their own applications, and GOOD-ARK assumes no liability whatsoever relating to the choice, selection or use of the GOOD-ARK products and services described herein.
- GOOD-ARK reserves the right to change or update, without notice, any information contained in this publication; to change, without notice, the design, construction, processing, or specification of any product; and to discontinue or limit production or distribution of any product.
- Information in this document supersedes and replaces all information previously supplied.
- Products are not designed, authorized or warranted to be suitable for use in medical, military, aircraft, space or life support equipment, nor in applications where failure or malfunction of an GOOD-ARK product can reasonably be expected to result in personal injury, death or severe property or environmental damage. GOOD-ARK accepts no liability for inclusion and/or use of GOOD-ARK products in such equipment or applications and therefore such inclusion and/or use are at the customer's own risk.
- This document as well as the item(s) described herein may be subject to export control regulations. Export might require a prior authorization from national authorities.

Specifications are subject to change without notice

© Copyright 2005, GOOD-ARK Electronics



® is a registered trademark of GOOD-ARK Electronics

All rights reserved