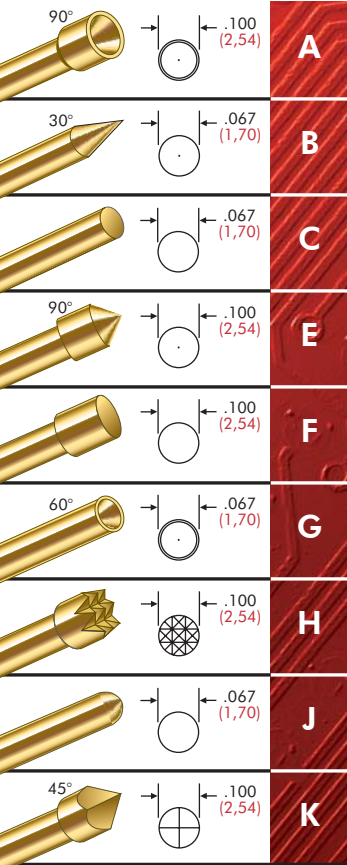


# Series S SIZE 3 .125 CENTERS

## BEcu PLUNGERS



## PROBE SPECIFICATIONS

Minimum Centers: .125 (3,18)  
 Current Rating: 5 amps continuous  
 Spring Force: 4.0, or 7.0 oz. @ .170 (4,32) travel  
 Contact Resistance: <20 mΩ  
 Working Travel: .170 (4,32)

Rated Force oz (gms)	Preload oz (gms)
4.0 (113)	1.8 (51)
7.0 (198)	2.9 (82)

## RECEPTACLE SPECIFICATIONS

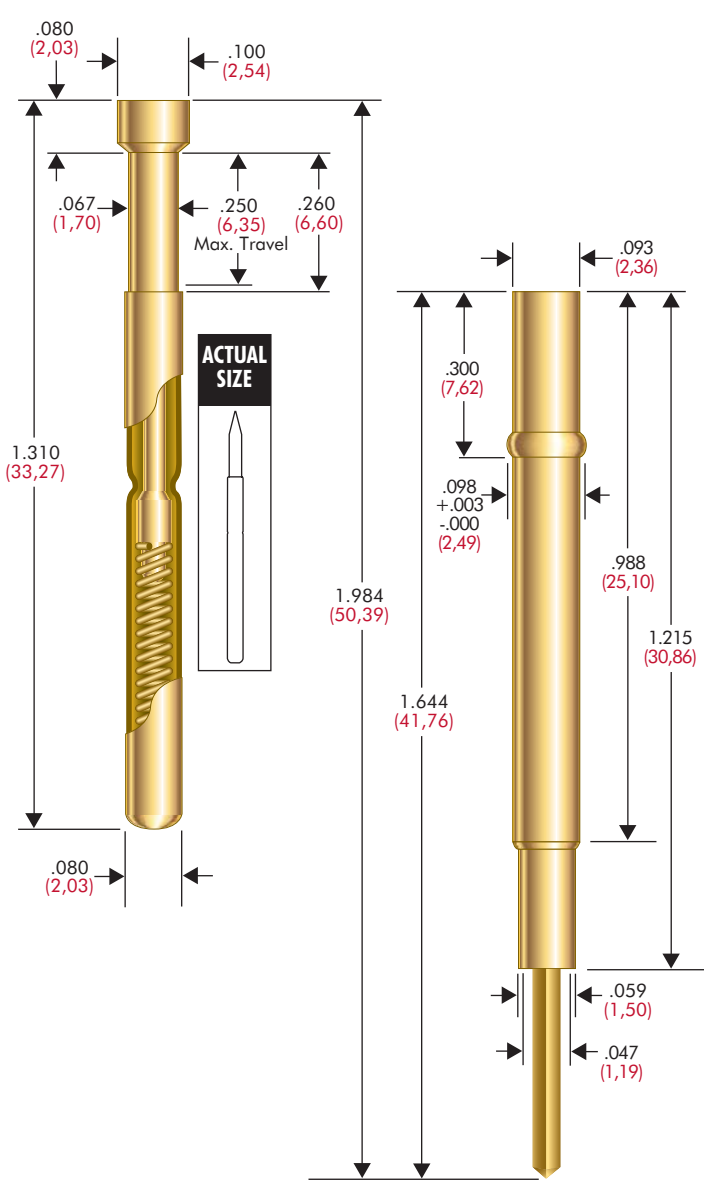
Connections:  
 R-3-CR: Crimp  
 R-3-SC: Solder Cup  
 R-3-WW: Wire Wrap, .025 (0,64) square post, .429 (10,90) length

**Recommended Wire:**  
 22-26 gage  
**Drill Size:** #41  
**Mounting Hole Size:**  
 .094/.096 (2,39/2,44)

## MATERIALS

Barrel: Nickel/silver, gold plated  
 Spring: Stainless steel, gold plated  
 Plunger: Full-hard beryllium copper, gold plated over nickel or optional Duralloy™  
 Receptacle: Nickel/silver, gold plated, gold plated post

## S 3 PROBE AND RECEPTACLE



## HOW TO ORDER: SPRING CONTACT PROBE RECEPTACLE

<b>S</b>	<b>3</b>	<b>A</b>	<b>4</b>	<b>G</b>	<b>R</b>	<b>3</b>	<b>WW</b>	<b>429</b>	
SERIES	SIZE	TIP STYLE	SPRING FORCE	PLATING OPTIONS	SERIES	SIZE	TERMINATION	POST LENGTH	
<b>SPRING FORCE:</b> 4.0 oz. @ .170 (4,32) travel 7.0 oz. @ .170 (4,32) travel				<b>PLATING OPTIONS:</b> G: Gold Plated Plunger D: Duralloy™ Plated Plunger				<b>TERMINATIONS:</b> CR: Crimp SC: Solder Cup WW: Wire Wrap	
<b>CRIMPING PLIERS:</b> CP3 <b>INSERTION TOOL:</b> RT3									

View updates of this information at <http://www.idinet.com>

Specifications subject to change without notice. Dimensions in inches (millimeters)