



样品承认书

Sample Approval Sheet

产品类别(product type):SMD		
产品名称(product name): 0805blue		
产品编号(Part No.): WEJT81BC-D76		
样品编号(Sample No.):		
承认书编号(Acknowledgement Numbers):		
签核 (Signatures)		
核准(Approved)	审核(Checked)	制定(Drawn)

客户 (Customer)		
公司名称(Corporation):		
物料编码(material No.):		
物料名称(Part No.):		
客户确认 (Customer Signatures)		

地址: 深圳市光明新区公明街道玉律社区第六工业区 21 栋

Factory Add:21st Bld yulv 6th industrial Park,Gen yu Road gongming New District,Shenzhen, Guang Dong China

电话(tel): 0755-29785600 29785800 传真(fax): 0755-29785100 联系人(contact person):

网址(web site): www.wej.cn

邮箱(mail): sale@yongerjia.com



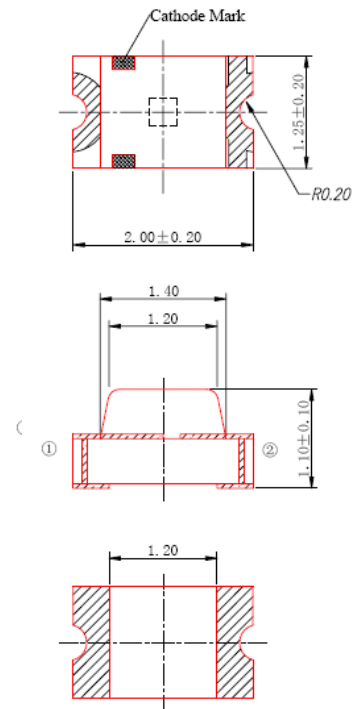
Features

- ※ High intensity
- ※ Reliable and rugged
- ※ Low current requirement
- ※ IC compatible

Description

The Blue Lamps are made
With InGaN/Sapphire chip and Water
clear epoxy resin

Package Dimensions



Notes:

1. All dimensions in mm tolerance is ± 0.25 mm unless otherwise noted.
2. All dimensions are in mm



Selection Guide

Part No. (产品型号)	Emitted Color (发光颜色)	Resin color (胶体颜色)	Viewing Angle(1) (发光角度) 2θ1/2
WEJT81BC-D76	blue	Water Clear	120

Notes:

1. θ1/2 is the angle from optical centerline where the luminous intensity is 1/2 of the optical peak value.

Absolute Maximum Ratings(Ta=25°C)

Parameter	Symbol	Rating	Unit
Power Dissipation	PD	120	mW
Forward Current (DC)	IF	30	mA
Peak Forward Current(Pulse width ≤0.1msec duty ≤1/10)	IFP	100	mA
Reverse Voltage	VR	5.0	V
Electro-Static-Discharge	ESD	200	V
Operation Temperature Range	Topr	-25to+85	°C
Storage Temperature Range	Tstg	-40to+100	°C
Lead Soldering Temperature(1.6mm from body) for 5 seconds		260	°C

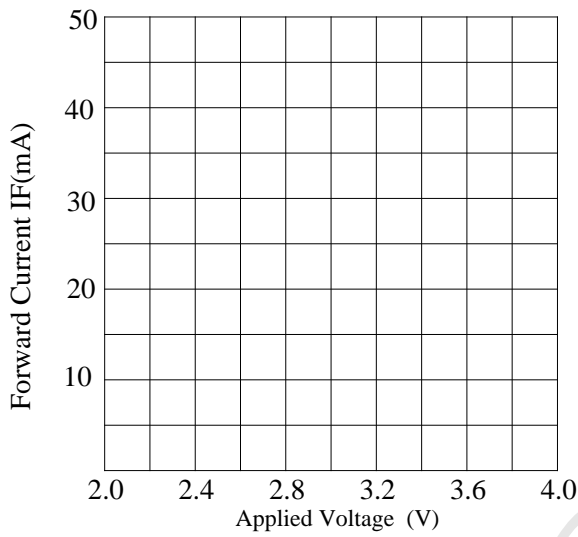
Typical Electrical and Optical Characteristics(Ta=25°C)

Parameter	Symbol	Condition	Min.	Typ.	Max.	Unit
Luminous Intensity	Iv	If=20mA	55	100		mcd
Forward Voltage	Vf	If=20mA		3.2	4.0	v
Peak Wavelength	λ P	If=20mA		470		
Dominant Wavelength	λ D	If=20mA		468		
Reverse Current	Ir	Vr=5v			50	uA
Viewing Angle	2 θ 1/2	If=20mA		120		deg
Spectrum Line Half width	Δ λ	If=20mA		26		nm

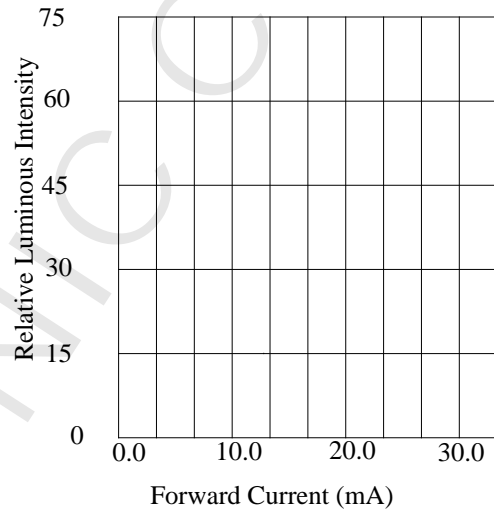




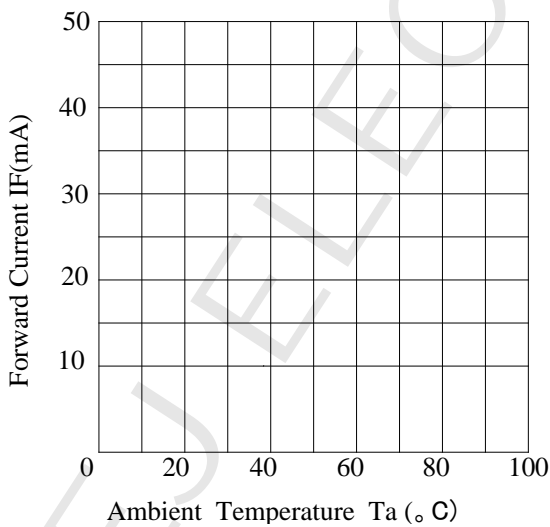
Typical Electrical / Optical Characteristics Curves



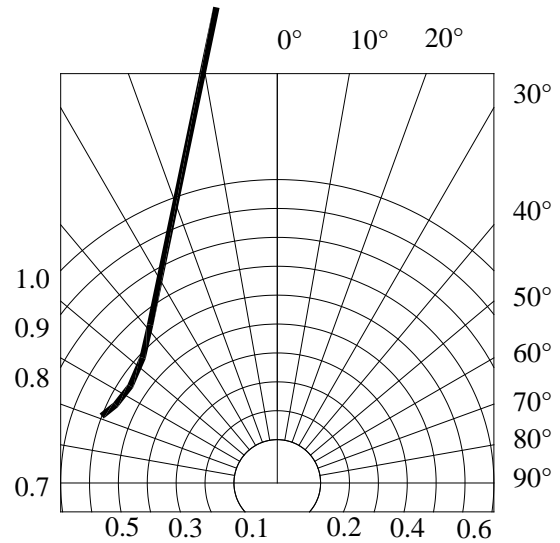
FORWARD CURRENT VS. APPLIED VOLTAGE



FORWARD CURRENT VS. LUMINOUS INTENSITY



AMBIENT TEMPERA TURE VS. FORWARD CURRENT



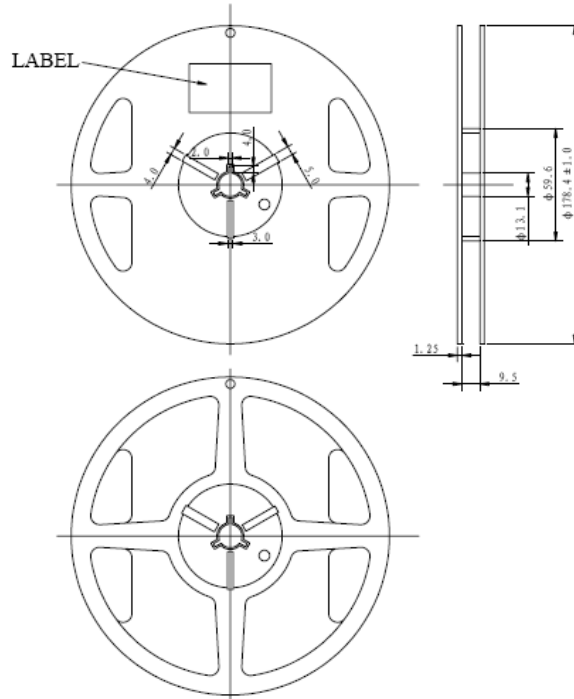
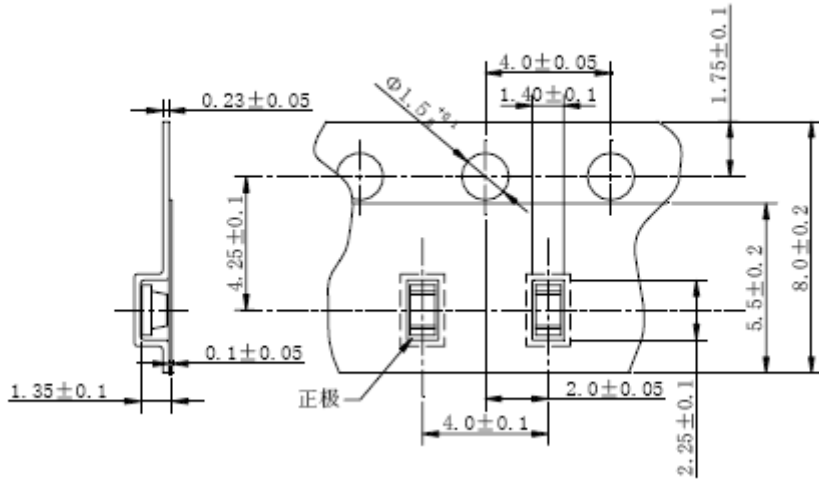
RADIATION DIAGRAM



深圳市永而佳电子有限公司

WINNERJOIN WEJ ECELTRONIC CO., LTD

SMD





Precaution in use

Storage

Recommended storage environment

Temperature: 5°C-30°C(41F~86F)

Humidity: 60%RH Max

Use within 3days after opening of sealed vapor/ESD barrier bags.

Fold the opened bag firmly and keep in dry environment.

Soldering

Reflow Soldering			Hand Soldering	
Pre-heat Pre-heat time Peak temperature Soldering time Condition	Lead Soldering	Lead-free Solder	Temperature Soldering time	350°C Max 3see Max (onetime only)
	120~150°C	180~200°C		
	120see Max	120see Max		
	240°CMax	260°CMax		
	10see Max	10seeMax		
	Refer to	Refer to		
Temperature-profile1	Temperature-profile1			

After reflow soldering rapid cooling should be avoided.

Temperature –profile(Surface of circuit board)

Use the conditions shown to the under figure.

