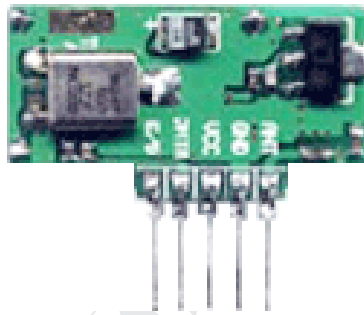

Wireless Hi Power Transmitter Module (RF FSK)

**Version History**

Version	Date	Changes
V1.01	Jul.3, 2002	1 st . Edition

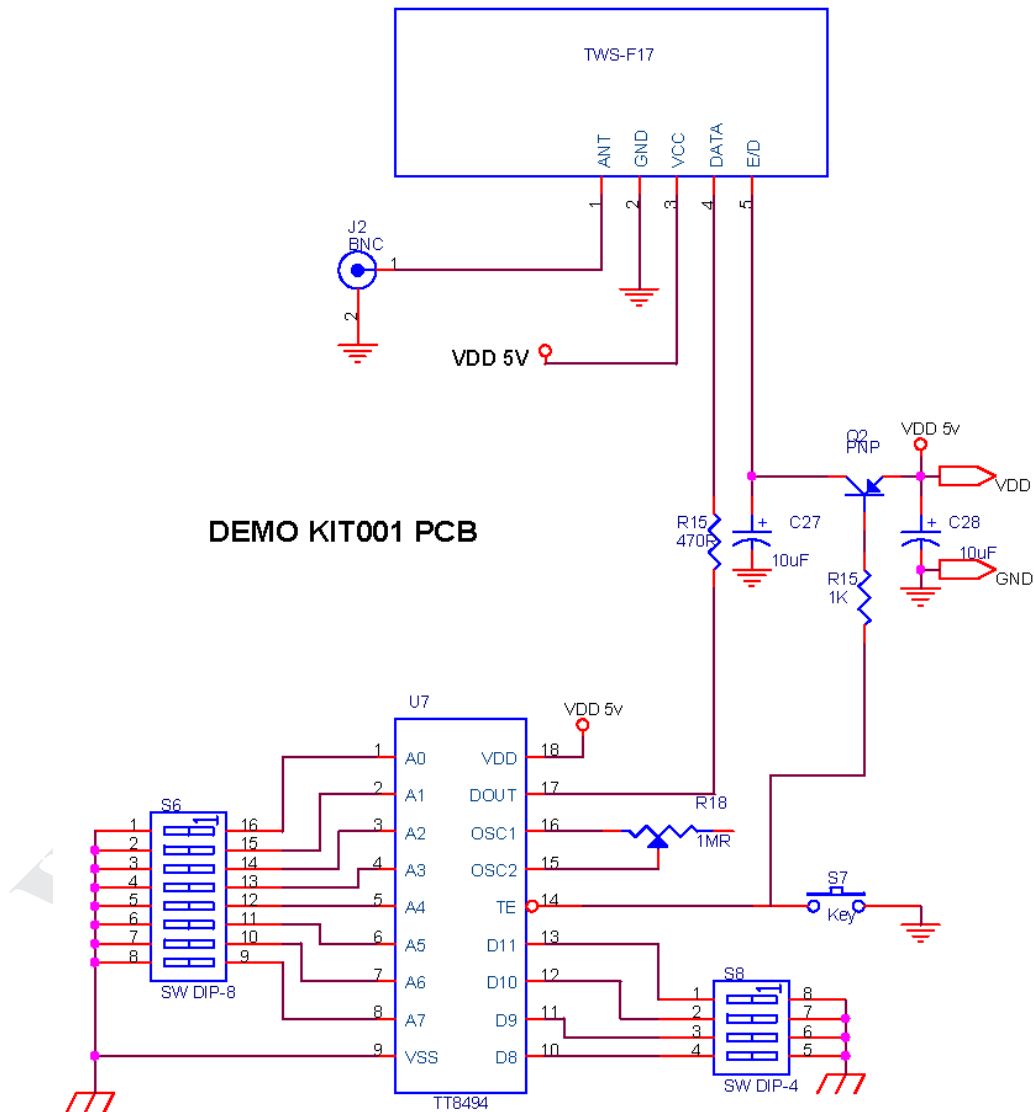
Spec

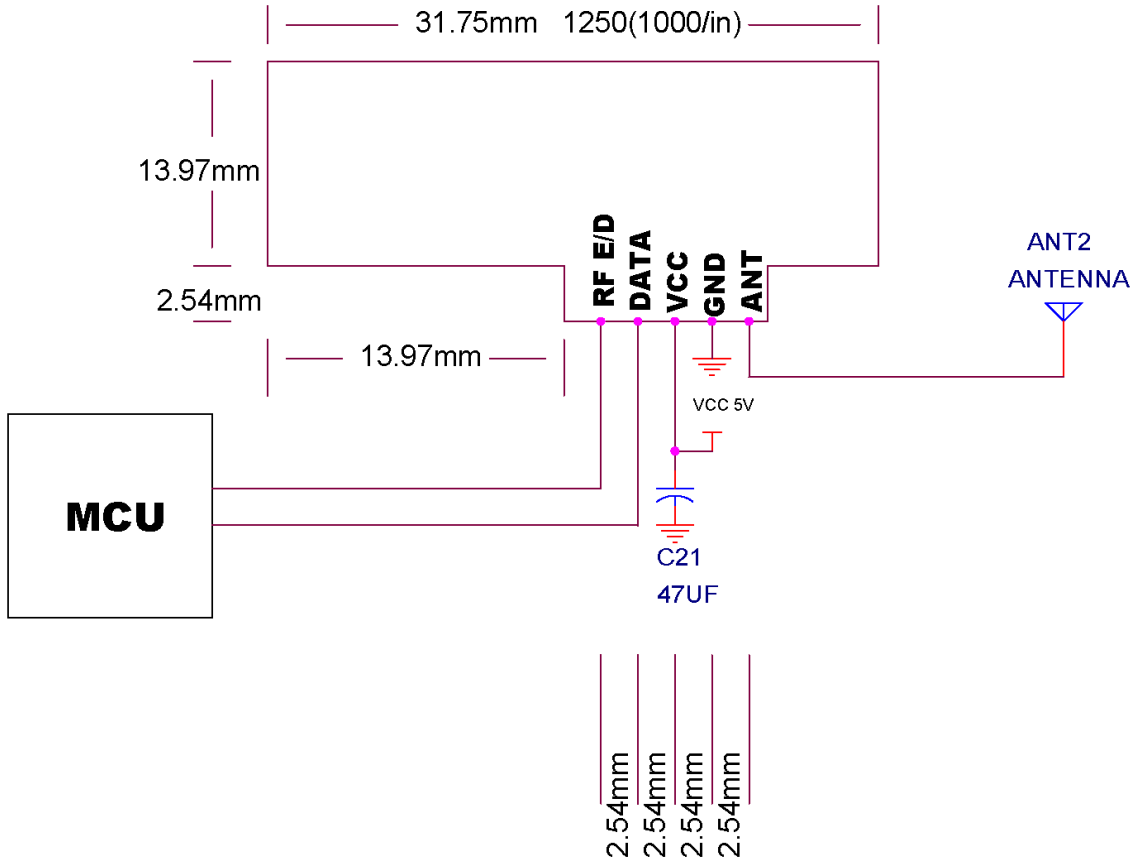
- Frequency : 149~170MHz
- Modulate Mode : FSK
- Circuit Shape : LC
- Working Voltage : 3~5V
- Distance : 1500M
- Supply Current : 150mA
- Output Power : 1W

Demo Circuit

TWS-F17

接腳圖





WEI
Do Not