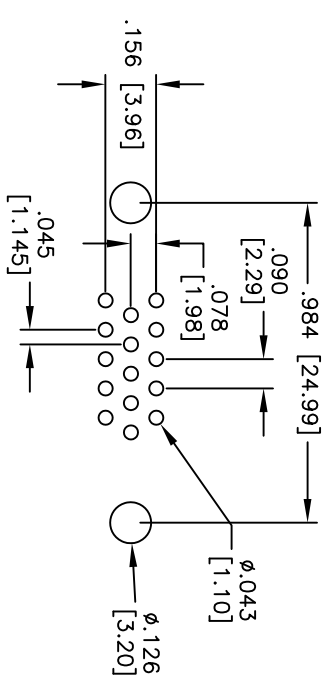
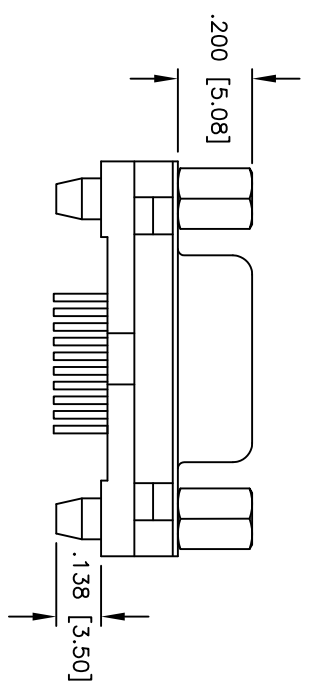
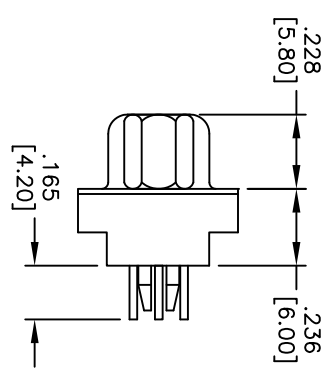
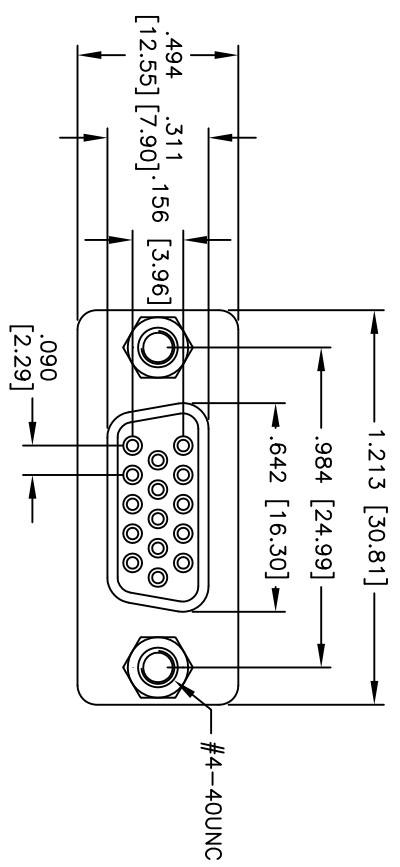


Rev	AWO #	Description	Date	Appr
-		RELEASED	10/01/09	

APPROVED: _____
 DATE: _____ TITLE: _____



RECOMMENDED PCB LAYOUT

SPECIFICATIONS:

- Material: PBT, glass reinforced, rated UL 94V-0
- Insulator color: Black
- Contacts: Brass
- Shell: Cold Roller Steel, Nickel plated
- Grounding screw torque: Brass, Tin plated over Nickel underplating
- Plating: Gold flash over Nickel underplate overall

Electrical:
 Current rating: 3 Amps max
 Contact resistance: 25 mohms max
 Insulation resistance: 500 Mohms min
 Dielectric withstanding voltage: 1,000 VAC for 1 minute

Temperature Rating:
 Operating temperature: -55°C to +105°C

Environmental:
 Lead free, RoHS compliant

Recommended soldering temp: 235°C for 5 seconds



ADAM TECH

909 Rahway Avenue, Union, NJ 07083
 Phone: 908-687-5000 Fax: 908-687-5710

TITLE: D-SUB, FEMALE, HIGH DENSITY, STRAIGHT RIVETED #4-40 JACKSCREWS W/ BOARDLOCK

UNLESS OTHERWISE SPECIFIED ALL DIMENSIONS ARE INCHES [MM] TOLERANCES: EXCEPT AS NOTED		DRAWN: DY		DATE: 10/01/09	
.X	± .10	ØX	± .10		
.XX	± .020	ØXX	± .015		
.XXX	± .015	ØXXX	± .010		
APPROVALS:		DATE:			
CHECKED		SIZE	PART NO.	REV.	
APPROVED		X	HD15-SA-M2-BL-US		
REF: S0027T		SCALE:	NTS	SHEET	1 OF 1