

CT875FUF Series

From 0.47 mH to 6.8 mH



CHARACTERISTICS

- Description:** SMD (unshielded) power inductor.
- Applications:** Ideal for a variety EL lamp inverter inductor applications.
- Operating Temperature:** -30° to +100°C
- Inductance Tolerance:** ±20%
- Testing:** Inductance is tested on an HP4285A at 100KHz, 0.25V.
- Packaging:** Tape & Reel.
- Note:** The part temperature (ambient+temp. rise) should not exceed 100°C under worst case operating conditions. Circuit design, component placement, PWB trace size and thickness, airflow and other cooling provisions all affect the part temperature. Part temperature should be verified in the end application.
- Marking:** Parts are marked with inductance code.
- Miscellaneous:** **RoHS Compliant.**
- Additional Information:** Additional electrical & physical information available upon request.
- Samples available. See website for ordering information.**

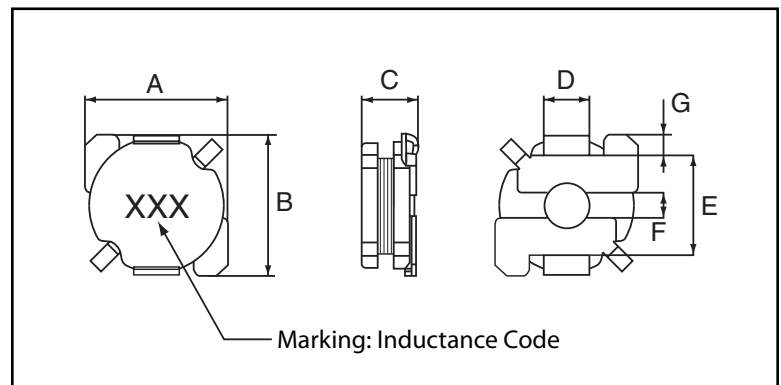
SPECIFICATIONS

Parts are available in ±20% inductance tolerance only.
 Irms: DC current that will cause an approximate ΔT of 40°C
 Isat: DC current that will cause L0 to drop approximately 10%

Part Number	Inductance (mH)	L Test Freq. (KHz)	DCR Max. (Ω)	Irms Typ. (A)	Isat Typ. (A)
CT875FUF-471M	0.47	100	8.1	0.14	0.14
CT875FUF-561M	0.56	100	11	0.125	0.125
CT875FUF-681M	0.68	100	13	0.115	0.115
CT875FUF-821M	0.82	100	18	0.12	0.105
CT875FUF-102M	1.0	100	20	0.095	0.095
CT875FUF-122M	1.2	100	22	0.088	0.088
CT875FUF-152M	1.5	100	27	0.083	0.083
CT875FUF-182M	1.8	100	33	0.074	0.074
CT875FUF-222M	2.2	100	39	0.064	0.064
CT875FUF-272M	2.7	100	45	0.061	0.061
CT875FUF-332M	3.3	100	62	0.050	0.050
CT875FUF-392M	3.9	100	71	0.050	0.050
CT875FUF-472M	4.7	100	96	0.042	0.042
CT875FUF-562M	5.6	100	110	0.040	0.040
CT875FUF-682M	6.8	100	130	0.037	0.037

PHYSICAL DIMENSIONS

Size	A Max.	B Max.	C Max.	D Typ.	E Typ.	F Typ.	G
mm	5.2	5.2	2.2	1.6	3.6	0.8	0.7±0.15
inches	0.205	0.205	0.087	0.063	0.142	0.031	0.027±0.006



PAD LAYOUT

