

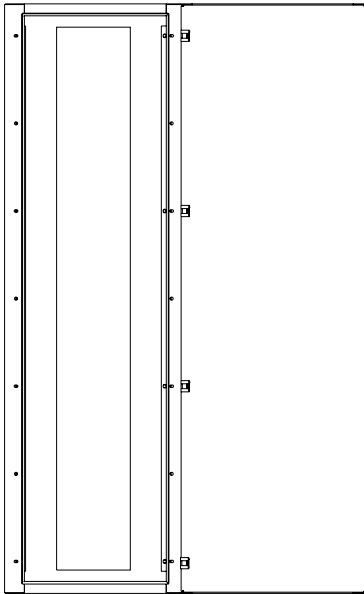


PART No. 2CLD86036

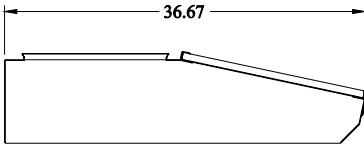
for more information visit
www.hammfg.com

Data subject to change without notice

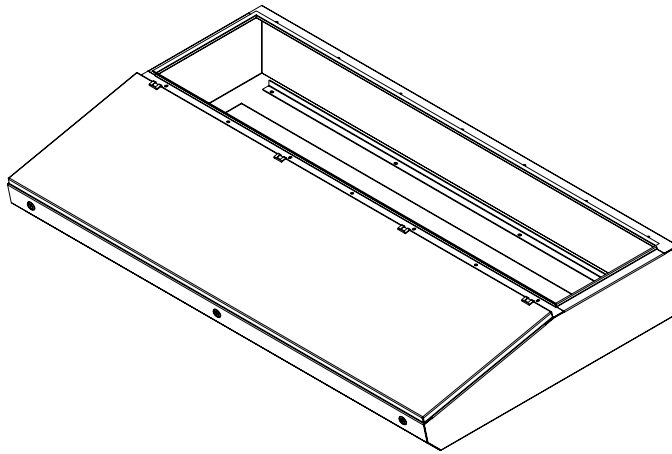
Isometric drawing Not to Scale



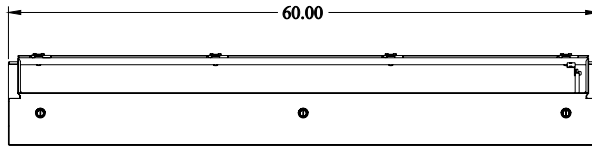
TOP VIEW



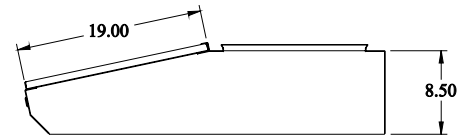
LEFT SIDE VIEW



ISOMETRIC VIEW



FRONT VIEW



RIGHT SIDE VIEW