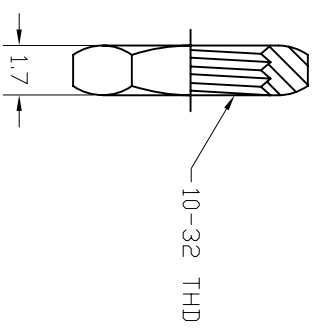
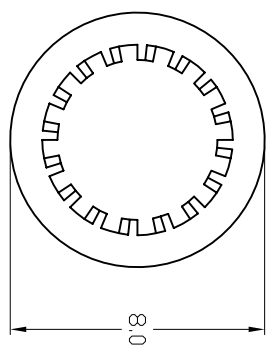
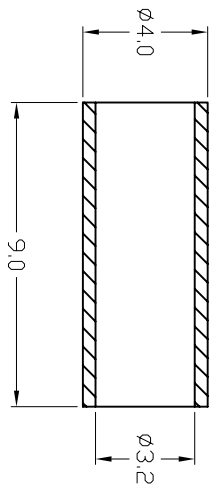
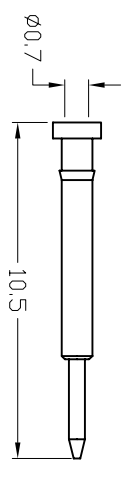
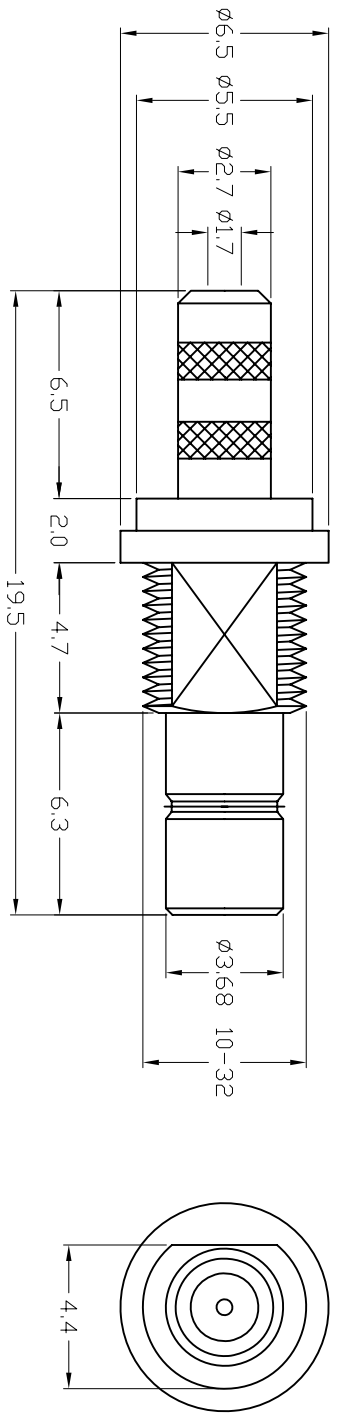


Rev	AWO #	Description	Date	Appr
-		RELEASED	7/14/06	

APPROVED: \_\_\_\_\_  
 DATE: \_\_\_\_\_ TITLE: \_\_\_\_\_



NO	DESCRIPTION	MATERIAL	FINISH	QTY
6	WASHER	BRASS	GOLD	1
5	NUT	BRASS	GOLD	1
4	FERRULE	BRASS	GOLD	1
3	DIELECTRIC	TEFLON	NONE	1
2	PIN	BRASS	GOLD	1
1	BODY	BRASS	GOLD	1

SPECIFICATIONS:  
 Environmental:  
 Lead free, RoHS compliant.



UNLESS OTHERWISE SPECIFIED  
 ALL DIMENSIONS ARE MM [INCHES]  
 TOLERANCES: EXCEPT AS NOTED  
 INCHES ± .10 ØXX ± .015  
 .XX ± .020 Holes ± .010  
 .XXX ± .015 ØXXX ± .010

**ADAM TECH**

909 Rahway Avenue, Union, NJ 07083  
 Phone: 908-687-5000 Fax: 908-687-0214

TITLE: RF CONNECTOR, TYPE SMB FEMALE,  
 BULKHEAD CRIMP, 50 OHM,

APPROVALS	DATE
DRAWN	SLS
CHECKED	
APPROVED	

SIZE	PART NO.	REV.
X	RF3-13-T-02-50-G	-
REF:	SCALE: NTS	SHEET 1 OF 1

6 5 4 3 2 1