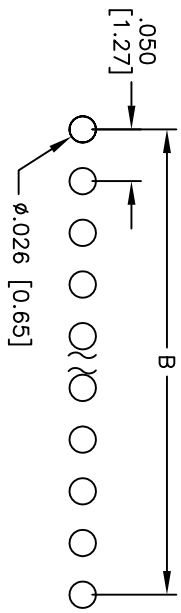
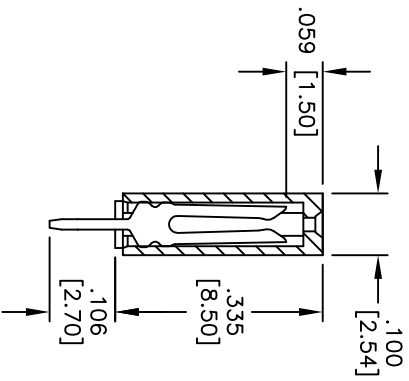
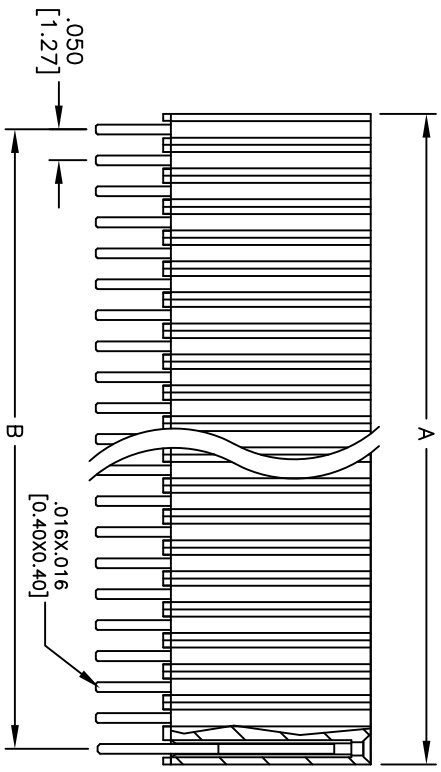


Rev	AWO #	Description	Date	Appr
-		RELEASED	11/14/08	

APPROVED: \_\_\_\_\_  
 DATE: \_\_\_\_\_ TITLE: \_\_\_\_\_



RECOMMENDED PCB LAYOUT



**SPECIFICATIONS:**

Material: Insulator: LCP, UL 94V-0  
 Insulator color: Black  
 Contacts: Phosphor Bronze  
 Plating: Gold flash over Nickel underplate overall.  
 Electrical: Current rating: 1 Amps max.  
 Contact resistance: 20 mohms max. initial  
 Insulation resistance: 1,000 Mohms min.  
 Dielectric withstanding voltage: 300 VAC for 1 minute  
 Temperature Rating: Operating temperature: -40°C to +105°C  
 Environmental: Lead free, RoHS compliant  
 Recommended soldering temp: 260°C for 5 seconds

Positions: 02 thru 35  
 A = .050 [1.27] x No. of Positions  
 B = .050 [1.27] x No. of Spaces

**ADAM TECH**

909 Railway Avenue, Union, NJ 07083  
 Phone: 908-687-5000 Fax: 908-687-5710

TITLE: .050 [1.27] SINGLE ROW RECEPTACLE STRIP  
 .335 [8.50] HEIGHT, GOLD PLATED

UNLESS OTHERWISE SPECIFIED ALL DIMENSIONS ARE INCHES [MM]	
TOLERANCES: EXCEPT AS NOTED	
INCHES	HOLDS
.X ± .10	ØXX ± .10
.XX ± .020	ØXXX ± .015
.XXX ± .015	ØXXX ± .010
APPROVALS	DATE
DRAWN	DY
CHECKED	
APPROVED	
	11/14/08

SIZE	PART NO.	REV.
X	HRS-1A-XX-GA-HT	
REF: S00032T	SCALE: NTS	SHEET 1 OF 1

