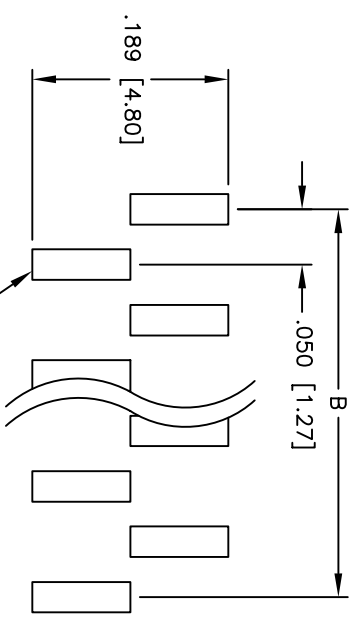
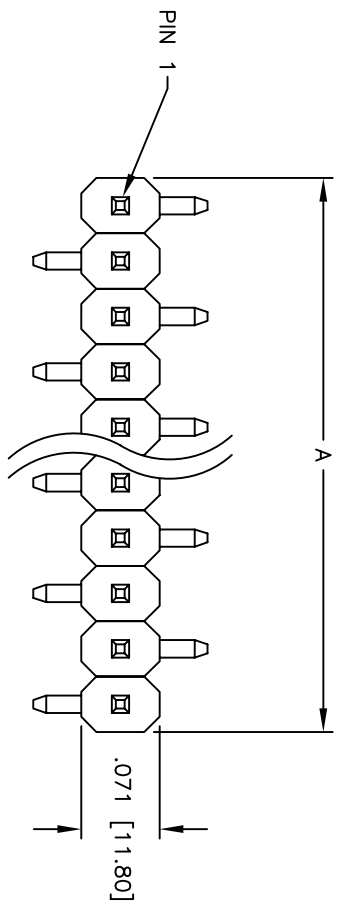
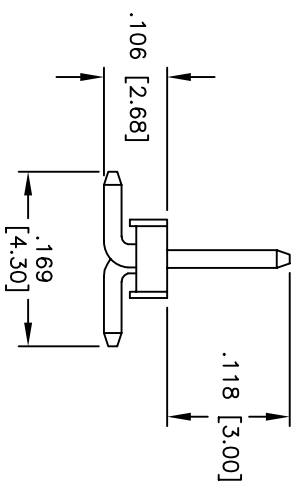
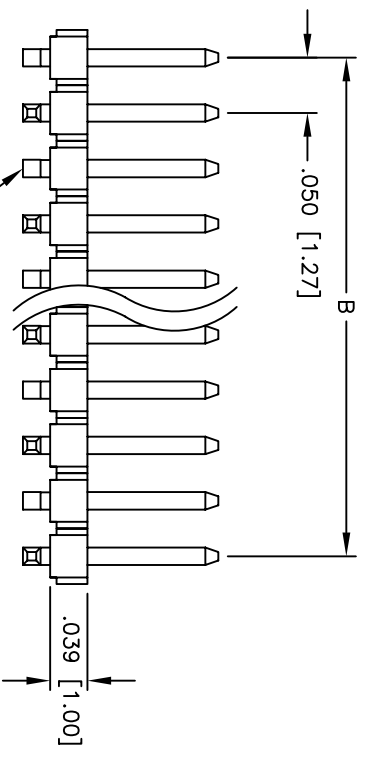


Rev	AWO #	Description	Date	Appr
-		RELEASED	10/15/08	

APPROVED: _____
 DATE: _____ TITLE: _____



PCB LAYOUT



SPECIFICATIONS:
 Material: Nylon 6T, rated UL 94V-0
 Insulator color: Black
 Contacts: Brass
 Plating: Tin over Copper underplate on SMT tails
 Gold flash over Nickel underplate on contact area.

Electrical:
 Operating voltage: 250 VAC max.
 Current rating: 1 Amp max.
 Contact resistance: 20 mohms max. initial
 Insulation resistance: 5,000 Mohms min.
 Dielectric withstanding voltage: 1,000 VAC for 1 minute
 Temperature Rating:
 Operating temperature: -40°C to +105°C

Environmental:
 Lead free, RoHS compliant
 Recommended soldering temp: 260°C for 5 seconds



Positions: 01 thru 32
 A = .050 [1.27] x No. of Positions Per Row
 B = .050 [1.27] x No. of Spaces

UNLESS OTHERWISE SPECIFIED ALL DIMENSIONS ARE IN INCHES [MM]	
TOLERANCES: EXCEPT AS NOTED	
INCHES	HOLDS
.X ± .10	ØXX ± .10
.XX ± .020	ØXXX ± .015
.XXX ± .015	ØXXXX ± .010
APPROVALS	DATE
DRAWN	SS
CHECKED	
APPROVED	

ADAM TECH
 909 Railway Avenue, Union, NJ 07083
 Phone: 908-687-5000 Fax: 908-687-5710

TITLE: .050 [1.27] SINGLE ROW PIN HEADER, SMT

SIZE	PART NO.	REV.
X	HPH1-A-XX-SGA-SMT-A	-
REF:	SCALE: NTS	SHEET 1 OF 1