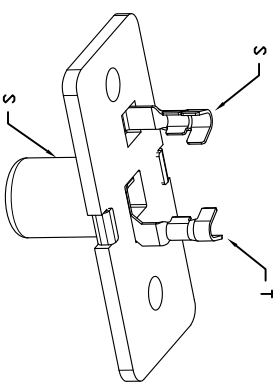
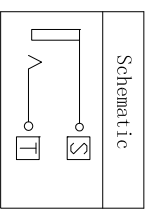
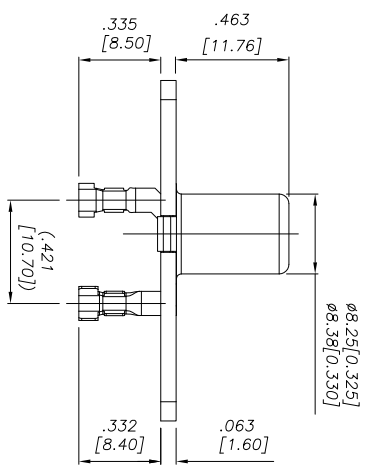
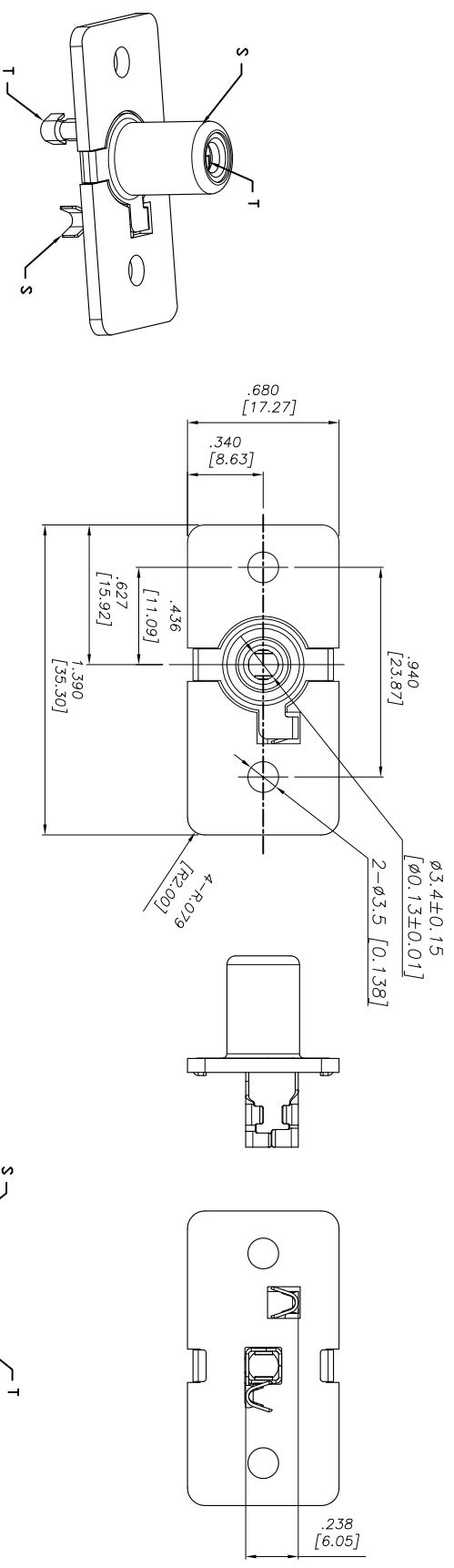


APPROVED: _____ TITLE: _____
 DATE: _____

Rev	AWO #	Description	Date	Appr
-	8155	RELEASED	7/21/09	
A	8155	UPDATED DIA & CHGD INSULATION RES	7/29/09	
B	8155	HOLE DIA .013 WAS .014	7/30/09	
C	8155	REVISED SPEC.	9/25/09	



SPECIFICATIONS:

Material:
 Body: PA9T, UL 94V-0, color Black
 Washer: PBT, UL 94V-0, color White
 Outer contact: Brass, Tin plating.
 Center contact: Phosphor Bronze, Nickel plating

Electrical:
 Voltage Rating: 30V DC
 Current Rating: 1A
 Contact resistance: 30 mohms max.
 Insulation resistance: 100 Mohms min @250V DC
 Dielectric withstanding voltage: 500 VAC for 1 minute

Mechanical:
 Life: 1000 Cycles
 Insertion / Withdrawal: 3-30N
 Recommended wire size: 22 - 24 Awg

Environmental:
 Temperature rating:
 Operating temperature: -40°C to +175°C
 Recommended soldering temp: 260°C for 5 sec.
 Lead free, RoHS compliant.

UNLESS OTHERWISE SPECIFIED
 ALL DIMENSIONS ARE INCHES [MM]
 TOLERANCES: EXCEPT AS NOTED

INCHES	HOLDS
.X ± .10	ØX ± .10
.XX ± .020	ØXX ± .015
.XXX ± .015	ØXXX ± .010

APPROVALS: _____ DATE: _____

DRAWN: SS 7/21/09
 CHECKED: _____
 APPROVED: _____

ADAM TECH
 909 Railway Avenue, Union, NJ 07083
 Phone: 908-687-5000 Fax: 908-687-5710

TITLE: RCA JACK, SINGLE PORT, VERTICAL,
 PANEL TYPE, CRIMP CONNECTIONS

SIZE: X PART NO.: RCA-22A-1-W-C3
 REF: SCALE: NTS SHEET 1 OF 1