

MC7800, MC7800A, MC7800AE, NCV7800



ON Semiconductor®

<http://onsemi.com>

1.0 A Positive Voltage Regulators

These voltage regulators are monolithic integrated circuits designed as fixed-voltage regulators for a wide variety of applications including local, on-card regulation. These regulators employ internal current limiting, thermal shutdown, and safe-area compensation. With adequate heatsinking they can deliver output currents in excess of 1.0 A. Although designed primarily as a fixed voltage regulator, these devices can be used with external components to obtain adjustable voltages and currents.

Features

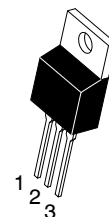
- Output Current in Excess of 1.0 A
- No External Components Required
- Internal Thermal Overload Protection
- Internal Short Circuit Current Limiting
- Output Transistor Safe-Area Compensation
- Output Voltage Offered in 1.5%, 2% and 4% Tolerance
- Available in Surface Mount D²PAK-3, DPAK-3 and Standard 3-Lead Transistor Packages
- NCV Prefix for Automotive and Other Applications Requiring Unique Site and Control Change Requirements; AEC-Q100 Qualified and PPAP Capable
- These are Pb-Free Devices

MAXIMUM RATINGS (T_A = 25°C, unless otherwise noted)

| Rating | Symbol | Value | | | Unit |
|--|------------------|--------------------|------|--------------|------|
| | | 369C | 221A | 936 | |
| Input Voltage (5.0 – 18 V) (24 V) | V _I | 35 40 | | | Vdc |
| Power Dissipation | P _D | Internally Limited | | | W |
| Thermal Resistance, Junction-to-Ambient | R _{θJA} | 92 | 65 | Figure 15 | °C/W |
| Thermal Resistance, Junction-to-Case | R _{θJC} | 5.0 | 5.0 | 5.0 | °C/W |
| Storage Junction Temperature Range | T _{stg} | –65 to +150 | | | °C |
| Operating Junction Temperature | T _J | +150 | | | °C |

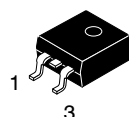
Stresses exceeding Maximum Ratings may damage the device. Maximum Ratings are stress ratings only. Functional operation above the Recommended Operating Conditions is not implied. Extended exposure to stresses above the Recommended Operating Conditions may affect device reliability.

*This device series contains ESD protection and exceeds the following tests:
Human Body Model 2000 V per MIL_STD_883, Method 3015.
Machine Model Method 200 V.



TO-220
T SUFFIX
CASE 221AB

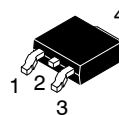
Heatsink surface
connected to Pin 2.



Pin 1. Input
2. Ground
3. Output

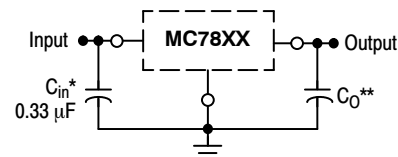
D²PAK-3
D2T SUFFIX
CASE 936

Heatsink surface (shown as terminal 4 in case outline drawing) is connected to Pin 2.



DPAK-3
DT SUFFIX
CASE 369C

STANDARD APPLICATION



A common ground is required between the input and the output voltages. The input voltage must remain typically 2.0 V above the output voltage even during the low point on the input ripple voltage.

XX, These two digits of the type number indicate nominal voltage.

* C_{in} is required if regulator is located an appreciable distance from power supply filter.

** C_O is not needed for stability; however, it does improve transient response. Values of less than 0.1 μF could cause instability.

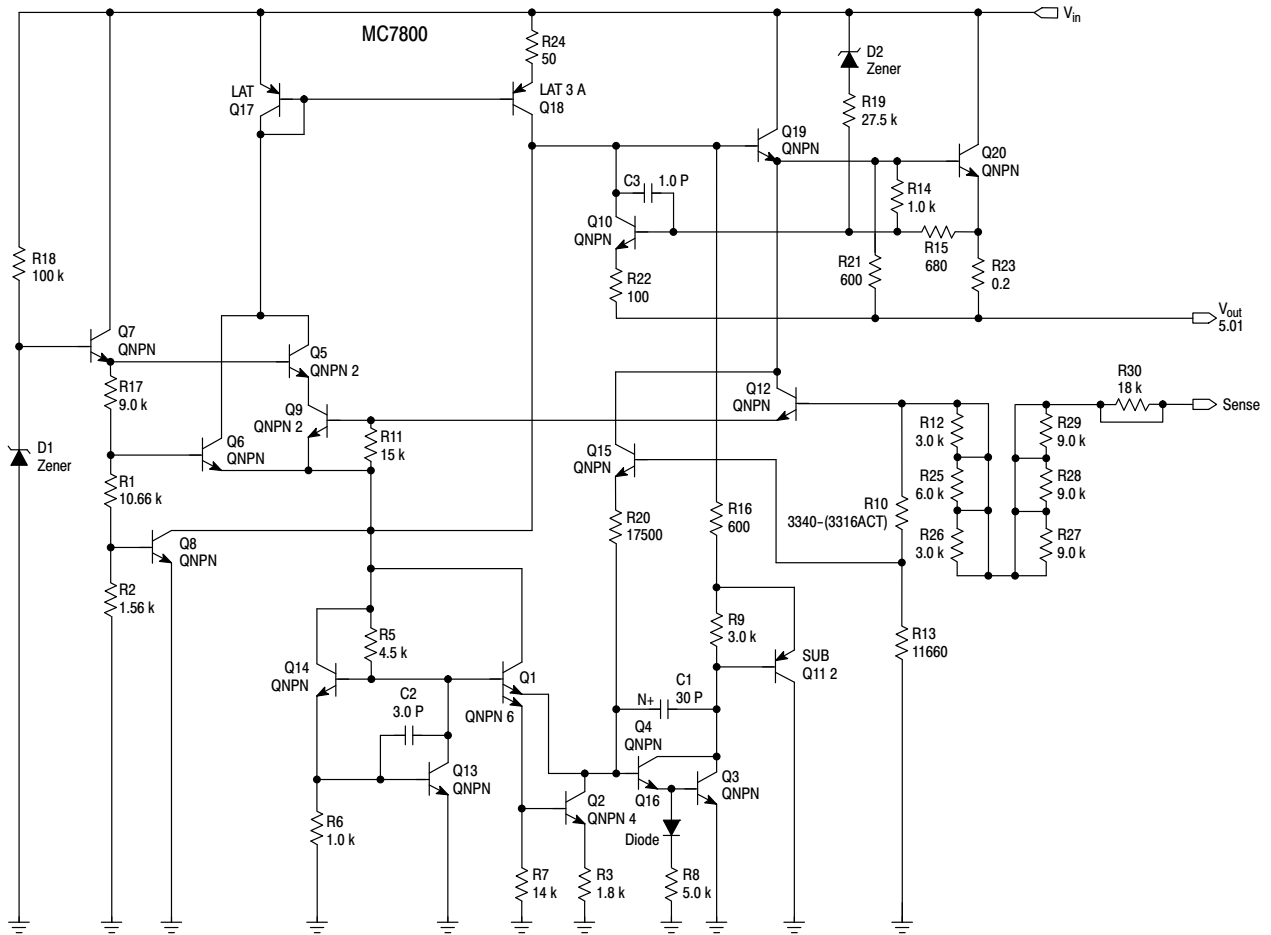
ORDERING INFORMATION

See detailed ordering and shipping information in the package dimensions section on page 23 of this data sheet.

DEVICE MARKING INFORMATION

See general marking information in the device marking section on page 27 of this data sheet.

MC7800, MC7800A, MC7800AE, NCV7800



This device contains 22 active transistors.

Figure 1. Representative Schematic Diagram

MC7800, MC7800A, MC7800AE, NCV7800

ELECTRICAL CHARACTERISTICS ($V_{in} = 10\text{ V}$, $I_O = 500\text{ mA}$, $T_J = T_{low}$ to 125°C (Note 1), unless otherwise noted)

| Characteristic | Symbol | MC7805B, NCV7805B | | | MC7805C | | | Unit |
|--|--------------|-------------------|-------------|-----------|-----------|-------------|------------|----------------------------|
| | | Min | Typ | Max | Min | Typ | Max | |
| Output Voltage ($T_J = 25^\circ\text{C}$) | V_O | 4.8 | 5.0 | 5.2 | 4.8 | 5.0 | 5.2 | Vdc |
| Output Voltage ($5.0\text{ mA} \leq I_O \leq 1.0\text{ A}$, $P_D \leq 15\text{ W}$) $7.0\text{ Vdc} \leq V_{in} \leq 20\text{ Vdc}$ $8.0\text{ Vdc} \leq V_{in} \leq 20\text{ Vdc}$ | V_O | – 4.75 | – 5.0 | – 5.25 | 4.75 – | 5.0 – | 5.25 – | Vdc |
| Line Regulation (Note 4) $7.5\text{ Vdc} \leq V_{in} \leq 20\text{ Vdc}$, 1.0 A $8.0\text{ Vdc} \leq V_{in} \leq 12\text{ Vdc}$ | Reg_{line} | – – | 5.0 1.3 | 100 50 | – – | 0.5 0.8 | 20 10 | mV |
| Load Regulation (Note 4) $5.0\text{ mA} \leq I_O \leq 1.0\text{ A}$ $5.0\text{ mA} \leq I_O \leq 1.5\text{ A}$ ($T_A = 25^\circ\text{C}$) | Reg_{load} | – – | 1.3 0.15 | 100 50 | – – | 1.3 1.3 | 25 25 | mV |
| Quiescent Current | I_B | – | 3.2 | 8.0 | – | 3.2 | 6.5 | mA |
| Quiescent Current Change $7.0\text{ Vdc} \leq V_{in} \leq 25\text{ Vdc}$ $5.0\text{ mA} \leq I_O \leq 1.0\text{ A}$ ($T_A = 25^\circ\text{C}$) | ΔI_B | – – | – – | – 0.5 | – – | 0.3 0.08 | 1.0 0.8 | mA |
| Ripple Rejection $8.0\text{ Vdc} \leq V_{in} \leq 18\text{ Vdc}$, $f = 120\text{ Hz}$ | RR | – | 68 | – | 62 | 83 | – | dB |
| Dropout Voltage ($I_O = 1.0\text{ A}$, $T_J = 25^\circ\text{C}$) | $V_I - V_O$ | – | 2.0 | – | – | 2.0 | – | Vdc |
| Output Noise Voltage ($T_A = 25^\circ\text{C}$) $10\text{ Hz} \leq f \leq 100\text{ kHz}$ | V_n | – | 10 | – | – | 10 | – | $\mu\text{V}/V_O$ |
| Output Resistance $f = 1.0\text{ kHz}$ | r_O | – | 0.9 | – | – | 0.9 | – | $\text{m}\Omega$ |
| Short Circuit Current Limit ($T_A = 25^\circ\text{C}$) $V_{in} = 35\text{ Vdc}$ | I_{SC} | – | 0.2 | – | – | 0.6 | – | A |
| Peak Output Current ($T_J = 25^\circ\text{C}$) | I_{max} | – | 2.2 | – | – | 2.2 | – | A |
| Average Temperature Coefficient of Output Voltage | TCV_O | – | –0.3 | – | – | –0.3 | – | $\text{mV}/^\circ\text{C}$ |

- $T_{low} = 0^\circ\text{C}$ for MC78XXC, MC78XXAC,
 $= -40^\circ\text{C}$ for NCV78XX, MC78XXB, MC78XXAB, and MC78XXAEB
- Load and line regulation are specified at constant junction temperature. Changes in V_O due to heating effects must be taken into account separately. Pulse testing with low duty cycle is used.

MC7800, MC7800A, MC7800AE, NCV7800

ELECTRICAL CHARACTERISTICS ($V_{in} = 10\text{ V}$, $I_O = 1.0\text{ A}$, $T_J = T_{low}$ to 125°C (Note 3), unless otherwise noted)

| Characteristic | Symbol | MC7805AB/MC7805AC/NCV7805AB | | | Unit |
|---|--------------|-----------------------------|--------------------------|-----------------------|----------------------------|
| | | Min | Typ | Max | |
| Output Voltage ($T_J = 25^\circ\text{C}$) | V_O | 4.9 | 5.0 | 5.1 | Vdc |
| Output Voltage ($5.0\text{ mA} \leq I_O \leq 1.0\text{ A}$, $P_D \leq 15\text{ W}$) $7.5\text{ Vdc} \leq V_{in} \leq 20\text{ Vdc}$ | V_O | 4.8 | 5.0 | 5.2 | Vdc |
| Line Regulation (Note 4) $7.5\text{ Vdc} \leq V_{in} \leq 25\text{ Vdc}$, $I_O = 500\text{ mA}$ $8.0\text{ Vdc} \leq V_{in} \leq 12\text{ Vdc}$, $I_O = 1.0\text{ A}$ $8.0\text{ Vdc} \leq V_{in} \leq 12\text{ Vdc}$, $I_O = 1.0\text{ A}$, $T_J = 25^\circ\text{C}$ $7.3\text{ Vdc} \leq V_{in} \leq 20\text{ Vdc}$, $I_O = 1.0\text{ A}$, $T_J = 25^\circ\text{C}$ | Reg_{line} | – | 0.5 0.8 1.3 4.5 | 10 12 4.0 10 | mV |
| Load Regulation (Note 4) $5.0\text{ mA} \leq I_O \leq 1.5\text{ A}$, $T_J = 25^\circ\text{C}$ $5.0\text{ mA} \leq I_O \leq 1.0\text{ A}$ $250\text{ mA} \leq I_O \leq 750\text{ mA}$ | Reg_{load} | – | 1.3 0.8 0.53 | 25 25 15 | mV |
| Quiescent Current | I_B | – | 3.2 | 6.0 | mA |
| Quiescent Current Change $8.0\text{ Vdc} \leq V_{in} \leq 25\text{ Vdc}$, $I_O = 500\text{ mA}$ $7.5\text{ Vdc} \leq V_{in} \leq 20\text{ Vdc}$, $T_J = 25^\circ\text{C}$ $5.0\text{ mA} \leq I_O \leq 1.0\text{ A}$ | ΔI_B | – | 0.3 – 0.08 | 0.8 0.8 0.5 | mA |
| Ripple Rejection $8.0\text{ Vdc} \leq V_{in} \leq 18\text{ Vdc}$, $f = 120\text{ Hz}$, $I_O = 500\text{ mA}$ | RR | 68 | 83 | – | dB |
| Dropout Voltage ($I_O = 1.0\text{ A}$, $T_J = 25^\circ\text{C}$) | $V_I - V_O$ | – | 2.0 | – | Vdc |
| Output Noise Voltage ($T_A = 25^\circ\text{C}$) $10\text{ Hz} \leq f \leq 100\text{ kHz}$ | V_n | – | 10 | – | $\mu\text{V}/V_O$ |
| Output Resistance ($f = 1.0\text{ kHz}$) | r_O | – | 0.9 | – | $\text{m}\Omega$ |
| Short Circuit Current Limit ($T_A = 25^\circ\text{C}$) $V_{in} = 35\text{ Vdc}$ | I_{SC} | – | 0.2 | – | A |
| Peak Output Current ($T_J = 25^\circ\text{C}$) | I_{max} | – | 2.2 | – | A |
| Average Temperature Coefficient of Output Voltage | TCV_O | – | –0.3 | – | $\text{mV}/^\circ\text{C}$ |

3. $T_{low} = 0^\circ\text{C}$ for MC78XXC, MC78XXAC,

= -40°C for NCV78XX, MC78XXB, MC78XXAB, and MC78XXAEB

4. Load and line regulation are specified at constant junction temperature. Changes in V_O due to heating effects must be taken into account separately. Pulse testing with low duty cycle is used.

MC7800, MC7800A, MC7800AE, NCV7800

ELECTRICAL CHARACTERISTICS ($V_{in} = 11\text{ V}$, $I_O = 500\text{ mA}$, $T_J = T_{low}$ to 125°C (Note 5), unless otherwise noted)

| Characteristic | Symbol | MC7806B/NCV7806B | | | MC7806C | | | Unit |
|--|--------------|------------------|------------|-----------|----------|-------------|------------|----------------------------|
| | | Min | Typ | Max | Min | Typ | Max | |
| Output Voltage ($T_J = 25^\circ\text{C}$) | V_O | 5.75 | 6.0 | 6.25 | 5.75 | 6.0 | 6.25 | Vdc |
| Output Voltage ($5.0\text{ mA} \leq I_O \leq 1.0\text{ A}$, $P_D \leq 15\text{ W}$) $8.0\text{ Vdc} \leq V_{in} \leq 21\text{ Vdc}$ $9.0\text{ Vdc} \leq V_{in} \leq 21\text{ Vdc}$ | V_O | – 5.7 | – 6.0 | – 6.3 | 5.7 – | 6.0 – | 6.3 – | Vdc |
| Line Regulation, $T_J = 25^\circ\text{C}$ (Note 6) $8.0\text{ Vdc} \leq V_{in} \leq 25\text{ Vdc}$ $9.0\text{ Vdc} \leq V_{in} \leq 13\text{ Vdc}$ | Reg_{line} | – – | 5.5 1.4 | 120 60 | – – | 0.5 0.8 | 24 12 | mV |
| Load Regulation, $T_J = 25^\circ\text{C}$ (Note 6) $5.0\text{ mA} \leq I_O \leq 1.5\text{ A}$ | Reg_{load} | – | 1.3 | 120 | – | 1.3 | 30 | mV |
| Quiescent Current ($T_J = 25^\circ\text{C}$) | I_B | – | 3.3 | 8.0 | – | 3.3 | 8.0 | mA |
| Quiescent Current Change $8.0\text{ Vdc} \leq V_{in} \leq 25\text{ Vdc}$ $5.0\text{ mA} \leq I_O \leq 1.0\text{ A}$ | ΔI_B | – – | – – | – 0.5 | – – | 0.3 0.08 | 1.3 0.5 | mA |
| Ripple Rejection $9.0\text{ Vdc} \leq V_{in} \leq 19\text{ Vdc}$, $f = 120\text{ Hz}$ | RR | – | 65 | – | 58 | 65 | – | dB |
| Dropout Voltage ($I_O = 1.0\text{ A}$, $T_J = 25^\circ\text{C}$) | $V_I - V_O$ | – | 2.0 | – | – | 2.0 | – | Vdc |
| Output Noise Voltage ($T_A = 25^\circ\text{C}$) $10\text{ Hz} \leq f \leq 100\text{ kHz}$ | V_n | – | 10 | – | – | 10 | – | $\mu\text{V}/V_O$ |
| Output Resistance $f = 1.0\text{ kHz}$ | r_O | – | 0.9 | – | – | 0.9 | – | $\text{m}\Omega$ |
| Short Circuit Current Limit ($T_A = 25^\circ\text{C}$) $V_{in} = 35\text{ Vdc}$ | I_{SC} | – | 0.2 | – | – | 0.2 | – | A |
| Peak Output Current ($T_J = 25^\circ\text{C}$) | I_{max} | – | 2.2 | – | – | 2.2 | – | A |
| Average Temperature Coefficient of Output Voltage | TCV_O | – | –0.3 | – | – | –0.3 | – | $\text{mV}/^\circ\text{C}$ |

5. $T_{low} = 0^\circ\text{C}$ for MC78XXC, MC78XXAC,

= -40°C for NCV78XX, MC78XXB, MC78XXAB, and MC78XXAEB

6. Load and line regulation are specified at constant junction temperature. Changes in V_O due to heating effects must be taken into account separately. Pulse testing with low duty cycle is used.

MC7800, MC7800A, MC7800AE, NCV7800

ELECTRICAL CHARACTERISTICS ($V_{in} = 11\text{ V}$, $I_O = 1.0\text{ A}$, $T_J = T_{low}$ to 125°C (Note 7), unless otherwise noted)

| Characteristic | Symbol | MC7806AC | | | Unit |
|--|--------------|-------------|-------------------|-------------------|----------------------------|
| | | Min | Typ | Max | |
| Output Voltage ($T_J = 25^\circ\text{C}$) | V_O | 5.88 | 6.0 | 6.12 | Vdc |
| Output Voltage ($5.0\text{ mA} \leq I_O \leq 1.0\text{ A}$, $P_D \leq 15\text{ W}$) $8.6\text{ Vdc} \leq V_{in} \leq 21\text{ Vdc}$ | V_O | 5.76 | 6.0 | 6.24 | Vdc |
| Line Regulation (Note 8) $8.6\text{ Vdc} \leq V_{in} \leq 25\text{ Vdc}$, $I_O = 500\text{ mA}$ $9.0\text{ Vdc} \leq V_{in} \leq 13\text{ Vdc}$, $I_O = 1.0\text{ A}$ | Reg_{line} | – – | 5.0 1.4 | 12 15 | mV |
| Load Regulation (Note 8) $5.0\text{ mA} \leq I_O \leq 1.5\text{ A}$, $T_J = 25^\circ\text{C}$ $5.0\text{ mA} \leq I_O \leq 1.0\text{ A}$ $250\text{ mA} \leq I_O \leq 750\text{ mA}$ | Reg_{load} | – – – | 1.3 0.9 0.2 | 25 25 15 | mV |
| Quiescent Current | I_B | – | 3.3 | 6.0 | mA |
| Quiescent Current Change $9.0\text{ Vdc} \leq V_{in} \leq 25\text{ Vdc}$, $I_O = 500\text{ mA}$ $9.0\text{ Vdc} \leq V_{in} \leq 21\text{ Vdc}$, $I_O = 1.0\text{ A}$, $T_J = 25^\circ\text{C}$ $5.0\text{ mA} \leq I_O \leq 1.0\text{ A}$ | ΔI_B | – – – | – – – | 0.8 0.8 0.5 | mA |
| Ripple Rejection $9.0\text{ Vdc} \leq V_{in} \leq 19\text{ Vdc}$, $f = 120\text{ Hz}$, $I_O = 500\text{ mA}$ | RR | 58 | 65 | – | dB |
| Dropout Voltage ($I_O = 1.0\text{ A}$, $T_J = 25^\circ\text{C}$) | $V_I - V_O$ | – | 2.0 | – | Vdc |
| Output Noise Voltage ($T_A = 25^\circ\text{C}$) $10\text{ Hz} \leq f \leq 100\text{ kHz}$ | V_n | – | 10 | – | $\mu\text{V}/V_O$ |
| Output Resistance ($f = 1.0\text{ kHz}$) | r_O | – | 0.9 | – | $\text{m}\Omega$ |
| Short Circuit Current Limit ($T_A = 25^\circ\text{C}$) $V_{in} = 35\text{ Vdc}$ | I_{sc} | – | 0.2 | – | A |
| Peak Output Current ($T_J = 25^\circ\text{C}$) | I_{max} | – | 2.2 | – | A |
| Average Temperature Coefficient of Output Voltage | TCV_O | – | –0.3 | – | $\text{mV}/^\circ\text{C}$ |

7. $T_{low} = 0^\circ\text{C}$ for MC78XXC, MC78XXAC,

= -40°C for NCV78XX, MC78XXB, MC78XXAB, and MC78XXAEB

8. Load and line regulation are specified at constant junction temperature. Changes in V_O due to heating effects must be taken into account separately. Pulse testing with low duty cycle is used.

MC7800, MC7800A, MC7800AE, NCV7800

ELECTRICAL CHARACTERISTICS ($V_{in} = 14\text{ V}$, $I_O = 500\text{ mA}$, $T_J = T_{low}$ to 125°C (Note 9), unless otherwise noted)

| Characteristic | Symbol | MC7808B/NCV7808B | | | MC7808C | | | Unit |
|--|---------------------|------------------|------------|-----------|----------|------------|------------|----------------------------|
| | | Min | Typ | Max | Min | Typ | Max | |
| Output Voltage ($T_J = 25^\circ\text{C}$) | V_O | 7.7 | 8.0 | 8.3 | 7.7 | 8.0 | 8.3 | Vdc |
| Output Voltage ($5.0\text{ mA} \leq I_O \leq 1.0\text{ A}$, $P_D \leq 15\text{ W}$) $10.5\text{ Vdc} \leq V_{in} \leq 23\text{ Vdc}$ $11.5\text{ Vdc} \leq V_{in} \leq 23\text{ Vdc}$ | V_O | – 7.6 | – 8.0 | – 8.4 | 7.6 – | 8.0 – | 8.4 – | Vdc |
| Line Regulation, $T_J = 25^\circ\text{C}$, (Note 10) $10.5\text{ Vdc} \leq V_{in} \leq 25\text{ Vdc}$ $11\text{ Vdc} \leq V_{in} \leq 17\text{ Vdc}$ | Reg_{line} | – – | 6.0 1.7 | 160 80 | – – | 6.0 1.7 | 32 16 | mV |
| Load Regulation, $T_J = 25^\circ\text{C}$ (Note 10) $5.0\text{ mA} \leq I_O \leq 1.5\text{ A}$ | Reg_{load} | – | 1.4 | 160 | – | 1.4 | 35 | mV |
| Quiescent Current | I_B | – | 3.3 | 8.0 | – | 3.3 | 8.0 | mA |
| Quiescent Current Change $10.5\text{ Vdc} \leq V_{in} \leq 25\text{ Vdc}$ $5.0\text{ mA} \leq I_O \leq 1.0\text{ A}$ | ΔI_B | – – | – – | – 0.5 | – – | – – | 1.0 0.5 | mA |
| Ripple Rejection $11.5\text{ Vdc} \leq V_{in} \leq 18\text{ Vdc}$, $f = 120\text{ Hz}$ | RR | – | 62 | – | 56 | 62 | – | dB |
| Dropout Voltage ($I_O = 1.0\text{ A}$, $T_J = 25^\circ\text{C}$) | $V_I - V_O$ | – | 2.0 | – | – | 2.0 | – | Vdc |
| Output Noise Voltage ($T_A = 25^\circ\text{C}$) $10\text{ Hz} \leq f \leq 100\text{ kHz}$ | V_n | – | 10 | – | – | 10 | – | $\mu\text{V}/V_O$ |
| Output Resistance $f = 1.0\text{ kHz}$ | r_O | – | 0.9 | – | – | 0.9 | – | $\text{m}\Omega$ |
| Short Circuit Current Limit ($T_A = 25^\circ\text{C}$) $V_{in} = 35\text{ Vdc}$ | I_{sc} | – | 0.2 | – | – | 0.2 | – | A |
| Peak Output Current ($T_J = 25^\circ\text{C}$) | I_{max} | – | 2.2 | – | – | 2.2 | – | A |
| Average Temperature Coefficient of Output Voltage | TCV_O | – | –0.4 | – | – | –0.4 | – | $\text{mV}/^\circ\text{C}$ |

9. $T_{low} = 0^\circ\text{C}$ for MC78XXC, MC78XXAC,
= -40°C for NCV78XX, MC78XXB, MC78XXAB, and MC78XXAEB

10. Load and line regulation are specified at constant junction temperature. Changes in V_O due to heating effects must be taken into account separately. Pulse testing with low duty cycle is used.

MC7800, MC7800A, MC7800AE, NCV7800

ELECTRICAL CHARACTERISTICS ($V_{in} = 14\text{ V}$, $I_O = 1.0\text{ A}$, $T_J = T_{low}$ to 125°C (Note 11), unless otherwise noted)

| Characteristic | Symbol | MC7808AB/MC7808AC | | | MC7808AEB | | | Unit |
|---|--------------|-------------------|------|------|-----------|------|------|----------------------------|
| | | Min | Typ | Max | Min | Typ | Max | |
| Output Voltage ($T_J = 25^\circ\text{C}$) | V_O | 7.84 | 8.0 | 8.16 | 7.88 | – | 8.12 | Vdc |
| Output Voltage ($5.0\text{ mA} \leq I_O \leq 1.0\text{ A}$, $P_D \leq 15\text{ W}$) $10.6\text{ Vdc} \leq V_{in} \leq 23\text{ Vdc}$ | V_O | 7.7 | 8.0 | 8.3 | 7.88 | – | 8.12 | Vdc |
| Line Regulation (Note 12) $10.6\text{ Vdc} \leq V_{in} \leq 25\text{ Vdc}$, $I_O = 500\text{ mA}$ $11\text{ Vdc} \leq V_{in} \leq 17\text{ Vdc}$, $I_O = 1.0\text{ A}$ $10.4\text{ Vdc} \leq V_{in} \leq 23\text{ Vdc}$, $T_J = 25^\circ\text{C}$ | Reg_{line} | – | 6.0 | 15 | – | 6.0 | 15 | mV |
| Load Regulation (Note 12) $5.0\text{ mA} \leq I_O \leq 1.5\text{ A}$, $T_J = 25^\circ\text{C}$ $5.0\text{ mA} \leq I_O \leq 1.0\text{ A}$ $250\text{ mA} \leq I_O \leq 750\text{ mA}$ | Reg_{load} | – | 1.4 | 25 | – | 1.4 | 25 | mV |
| Quiescent Current | I_B | – | 3.3 | 6.0 | – | 3.3 | 6.0 | mA |
| Quiescent Current Change $11\text{ Vdc} \leq V_{in} \leq 25\text{ Vdc}$, $I_O = 500\text{ mA}$ $10.6\text{ Vdc} \leq V_{in} \leq 23\text{ Vdc}$, $I_O = 1.0\text{ A}$, $T_J = 25^\circ\text{C}$ $5.0\text{ mA} \leq I_O \leq 1.0\text{ A}$ | ΔI_B | – | – | 0.8 | – | – | 0.8 | mA |
| Ripple Rejection $11.5\text{ Vdc} \leq V_{in} \leq 21.5\text{ Vdc}$, $f = 120\text{ Hz}$, $I_O = 500\text{ mA}$ | RR | 56 | 62 | – | 56 | 62 | – | dB |
| Dropout Voltage ($I_O = 1.0\text{ A}$, $T_J = 25^\circ\text{C}$) | $V_I - V_O$ | – | 2.0 | – | – | 2.0 | – | Vdc |
| Output Noise Voltage ($T_A = 25^\circ\text{C}$) $10\text{ Hz} \leq f \leq 100\text{ kHz}$ | V_n | – | 10 | – | – | 10 | – | $\mu\text{V}/V_O$ |
| Output Resistance $f = 1.0\text{ kHz}$ | r_O | – | 0.9 | – | – | 0.9 | – | $\text{m}\Omega$ |
| Short Circuit Current Limit ($T_A = 25^\circ\text{C}$) $V_{in} = 35\text{ Vdc}$ | I_{SC} | – | 0.2 | – | – | 0.2 | – | A |
| Peak Output Current ($T_J = 25^\circ\text{C}$) | I_{max} | – | 2.2 | – | – | 2.2 | – | A |
| Average Temperature Coefficient of Output Voltage | TCV_O | – | –0.4 | – | – | –0.4 | – | $\text{mV}/^\circ\text{C}$ |

11. $T_{low} = 0^\circ\text{C}$ for MC78XXC, MC78XXAC,
= -40°C for NCV78XX, MC78XXB, MC78XXAB, and MC78XXAEB

12. Load and line regulation are specified at constant junction temperature. Changes in V_O due to heating effects must be taken into account separately. Pulse testing with low duty cycle is used.

MC7800, MC7800A, MC7800AE, NCV7800

ELECTRICAL CHARACTERISTICS ($V_{in} = 15\text{ V}$, $I_O = 500\text{ mA}$, $T_J = T_{low}$ to 125°C (Note 13), unless otherwise noted)

| Characteristic | Symbol | MC7809B/NCV7809B | | | MC7809C | | | Unit |
|---|---------------------|------------------|------|------|---------|------|------|----------------------------|
| | | Min | Typ | Max | Min | Typ | Max | |
| Output Voltage ($T_J = 25^\circ\text{C}$) | V_O | 8.65 | 9.0 | 9.35 | 8.65 | 9.0 | 9.35 | Vdc |
| Output Voltage ($5.0\text{ mA} \leq I_O \leq 1.0\text{ A}$, $P_D \leq 15\text{ W}$) $11.5\text{ Vdc} \leq V_{in} \leq 24\text{ Vdc}$ | V_O | 8.55 | 9.0 | 9.45 | 8.55 | 9.0 | 9.45 | Vdc |
| Line Regulation, $T_J = 25^\circ\text{C}$ (Note 14) $11\text{ Vdc} \leq V_{in} \leq 26\text{ Vdc}$ $11.5\text{ Vdc} \leq V_{in} \leq 17\text{ Vdc}$ | Reg_{line} | – | 6.2 | 32 | – | 6.2 | 32 | mV |
| Load Regulation, $T_J = 25^\circ\text{C}$ (Note 14) $5.0\text{ mA} \leq I_O \leq 1.5\text{ A}$ | Reg_{load} | – | 1.5 | 35 | – | 1.5 | 35 | mV |
| Quiescent Current | I_B | – | 3.4 | 8.0 | – | 3.4 | 8.0 | mA |
| Quiescent Current Change $11.5\text{ Vdc} \leq V_{in} \leq 26\text{ Vdc}$ $5.0\text{ mA} \leq I_O \leq 1.0\text{ A}$ | ΔI_B | – | – | 1.0 | – | – | 1.0 | mA |
| Ripple Rejection $11.5\text{ Vdc} \leq V_{in} \leq 21.5\text{ Vdc}$, $f = 120\text{ Hz}$ | RR | 56 | 61 | – | 56 | 61 | – | dB |
| Dropout Voltage ($I_O = 1.0\text{ A}$, $T_J = 25^\circ\text{C}$) | $V_I - V_O$ | – | 2.0 | – | – | 2.0 | – | Vdc |
| Output Noise Voltage ($T_A = 25^\circ\text{C}$) $10\text{ Hz} \leq f \leq 100\text{ kHz}$ | V_n | – | 10 | – | – | 10 | – | $\mu\text{V}/V_O$ |
| Output Resistance $f = 1.0\text{ kHz}$ | r_O | – | 1.0 | – | – | 1.0 | – | $\text{m}\Omega$ |
| Short Circuit Current Limit ($T_A = 25^\circ\text{C}$) $V_{in} = 35\text{ Vdc}$ | I_{SC} | – | 0.2 | – | – | 0.2 | – | A |
| Peak Output Current ($T_J = 25^\circ\text{C}$) | I_{max} | – | 2.2 | – | – | 2.2 | – | A |
| Average Temperature Coefficient of Output Voltage | TCV_O | – | –0.5 | – | – | –0.5 | – | $\text{mV}/^\circ\text{C}$ |

13. $T_{low} = 0^\circ\text{C}$ for MC78XXC, MC78XXAC,
= -40°C for NCV78XX, MC78XXB, MC78XXAB, and MC78XXAEB

14. Load and line regulation are specified at constant junction temperature. Changes in V_O due to heating effects must be taken into account separately. Pulse testing with low duty cycle is used.

MC7800, MC7800A, MC7800AE, NCV7800

ELECTRICAL CHARACTERISTICS ($V_{in} = 15\text{ V}$, $I_O = 1.0\text{ A}$, $T_J = T_{low}$ to 125°C (Note 15), unless otherwise noted)

| Characteristic | Symbol | MC7809AB/MC7809AC | | | Unit |
|---|---------------------|-------------------|-------------------|-------------------|----------------------------|
| | | Min | Typ | Max | |
| Output Voltage ($T_J = 25^\circ\text{C}$) | V_O | 8.82 | 9.0 | 9.18 | Vdc |
| Output Voltage ($5.0\text{ mA} \leq I_O \leq 1.0\text{ A}$, $P_D \leq 15\text{ W}$) $11.5\text{ Vdc} \leq V_{in} \leq 24\text{ Vdc}$ | V_O | 8.65 | 9.0 | 9.35 | Vdc |
| Line Regulation (Note 16) $11.5\text{ Vdc} \leq V_{in} \leq 26\text{ Vdc}$, $I_O = 500\text{ mA}$ $12\text{ Vdc} \leq V_{in} \leq 17\text{ Vdc}$, $I_O = 1.0\text{ A}$ $11.5\text{ Vdc} \leq V_{in} \leq 24\text{ Vdc}$, $T_J = 25^\circ\text{C}$ | Reg _{line} | – | 6.2 1.8 5.2 | 16 7.0 16 | mV |
| Load Regulation (Note 16) $5.0\text{ mA} \leq I_O \leq 1.5\text{ A}$, $T_J = 25^\circ\text{C}$ $5.0\text{ mA} \leq I_O \leq 1.0\text{ A}$ $250\text{ mA} \leq I_O \leq 750\text{ mA}$ | Reg _{load} | – | – | 25 25 15 | mV |
| Quiescent Current | I_B | – | 3.3 | 6.0 | mA |
| Quiescent Current Change $11.5\text{ Vdc} \leq V_{in} \leq 26\text{ Vdc}$, $I_O = 500\text{ mA}$ $11.5\text{ Vdc} \leq V_{in} \leq 24\text{ Vdc}$, $I_O = 1.0\text{ A}$, $T_J = 25^\circ\text{C}$ $5.0\text{ mA} \leq I_O \leq 1.0\text{ A}$ | ΔI_B | – | – | 0.8 0.8 0.5 | mA |
| Ripple Rejection $11.5\text{ Vdc} \leq V_{in} \leq 21.5\text{ Vdc}$, $f = 120\text{ Hz}$, $I_O = 500\text{ mA}$ | RR | 56 | 61 | – | dB |
| Dropout Voltage ($I_O = 1.0\text{ A}$, $T_J = 25^\circ\text{C}$) | V_{I_VO} | | 2.0 | | Vdc |
| Output Noise Voltage ($T_A = 25^\circ\text{C}$) $10\text{ Hz} \leq f \leq 100\text{ kHz}$ | V_n | – | 10 | – | $\mu\text{V}/V_O$ |
| Output Resistance $f = 1.0\text{ kHz}$ | r_O | – | 1.0 | – | $\text{m}\Omega$ |
| Short Circuit Current Limit ($T_A = 25^\circ\text{C}$) $V_{in} = 35\text{ Vdc}$ | I_{SC} | – | 0.2 | – | A |
| Peak Output Current ($T_J = 25^\circ\text{C}$) | I_{max} | – | 2.2 | – | A |
| Average Temperature Coefficient of Output Voltage | TCV_O | – | –0.5 | – | $\text{mV}/^\circ\text{C}$ |

15. $T_{low} = 0^\circ\text{C}$ for MC78XXC, MC78XXAC,
= -40°C for NCV78XX, MC78XXB, MC78XXAB.

16. Load and line regulation are specified at constant junction temperature. Changes in V_O due to heating effects must be taken into account separately. Pulse testing with low duty cycle is used.

MC7800, MC7800A, MC7800AE, NCV7800

ELECTRICAL CHARACTERISTICS ($V_{in} = 19\text{ V}$, $I_O = 500\text{ mA}$, $T_J = T_{low}$ to 125°C (Note 17), unless otherwise noted)

| Characteristic | Symbol | MC7812B/NCV7812B | | | MC7812C | | | Unit |
|--|---------------------|------------------|-----------------|-----------------|-------------|-----------------|-------------------|----------------------------|
| | | Min | Typ | Max | Min | Typ | Max | |
| Output Voltage ($T_J = 25^\circ\text{C}$) | V_O | 11.5 | 12 | 12.5 | 11.5 | 12 | 12.5 | Vdc |
| Output Voltage ($5.0\text{ mA} \leq I_O \leq 1.0\text{ A}$, $P_D \leq 15\text{ W}$) $14.5\text{ Vdc} \leq V_{in} \leq 27\text{ Vdc}$ $15.5\text{ Vdc} \leq V_{in} \leq 27\text{ Vdc}$ | V_O | – 11.4 | – 12 | – 12.6 | 11.4 – | 12 – | 12.6 – | Vdc |
| Line Regulation, $T_J = 25^\circ\text{C}$ (Note 18) $14.5\text{ Vdc} \leq V_{in} \leq 30\text{ Vdc}$ $16\text{ Vdc} \leq V_{in} \leq 22\text{ Vdc}$ $14.8\text{ Vdc} \leq V_{in} \leq 27\text{ Vdc}$, $I_O = 1.0\text{ A}$ | Reg_{line} | – – – | 7.5 2.2 – | 240 120 – | – – – | 3.8 0.3 – | 24 24 48 | mV |
| Load Regulation, $T_J = 25^\circ\text{C}$ (Note 18) $5.0\text{ mA} \leq I_O \leq 1.5\text{ A}$ | Reg_{load} | – | 1.6 | 240 | – | 8.1 | 60 | mV |
| Quiescent Current | I_B | – | 3.4 | 8.0 | – | 3.4 | 6.5 | mA |
| Quiescent Current Change $14.5\text{ Vdc} \leq V_{in} \leq 30\text{ Vdc}$, $I_O = 1.0\text{ A}$, $T_J = 25^\circ\text{C}$ $15\text{ Vdc} \leq V_{in} \leq 30\text{ Vdc}$ $5.0\text{ mA} \leq I_O \leq 1.0\text{ A}$ | ΔI_B | – – – | – – – | – 1.0 0.5 | – – – | – – – | 0.7 0.8 0.5 | mA |
| Ripple Rejection $15\text{ Vdc} \leq V_{in} \leq 25\text{ Vdc}$, $f = 120\text{ Hz}$ | RR | – | 60 | – | 55 | 60 | – | dB |
| Dropout Voltage ($I_O = 1.0\text{ A}$, $T_J = 25^\circ\text{C}$) | $V_I - V_O$ | – | 2.0 | – | – | 2.0 | – | Vdc |
| Output Noise Voltage ($T_A = 25^\circ\text{C}$) $10\text{ Hz} \leq f \leq 100\text{ kHz}$ | V_n | – | 10 | – | – | 10 | – | $\mu\text{V}/V_O$ |
| Output Resistance $f = 1.0\text{ kHz}$ | r_O | – | 1.1 | – | – | 1.1 | – | $\text{m}\Omega$ |
| Short Circuit Current Limit ($T_A = 25^\circ\text{C}$) $V_{in} = 35\text{ Vdc}$ | I_{SC} | – | 0.2 | – | – | 0.2 | – | A |
| Peak Output Current ($T_J = 25^\circ\text{C}$) | I_{max} | – | 2.2 | – | – | 2.2 | – | A |
| Average Temperature Coefficient of Output Voltage | TCV_O | – | –0.8 | – | – | –0.8 | – | $\text{mV}/^\circ\text{C}$ |

17. $T_{low} = 0^\circ\text{C}$ for MC78XXC, MC78XXAC,
 $= -40^\circ\text{C}$ for NCV78XX, MC78XXB, MC78XXAB, and MC78XXAEB

18. Load and line regulation are specified at constant junction temperature. Changes in V_O due to heating effects must be taken into account separately. Pulse testing with low duty cycle is used.

MC7800, MC7800A, MC7800AE, NCV7800

ELECTRICAL CHARACTERISTICS ($V_{in} = 19\text{ V}$, $I_O = 1.0\text{ A}$, $T_J = T_{low}$ to 125°C (Note 19), unless otherwise noted)

| Characteristic | Symbol | MC7812AB/MC7812AC/NCV7812AB | | | Unit |
|---|--------------|-----------------------------|------|-------|----------------------------|
| | | Min | Typ | Max | |
| Output Voltage ($T_J = 25^\circ\text{C}$) | V_O | 11.75 | 12 | 12.25 | Vdc |
| Output Voltage ($5.0\text{ mA} \leq I_O \leq 1.0\text{ A}$, $P_D \leq 15\text{ W}$) $14.8\text{ Vdc} \leq V_{in} \leq 27\text{ Vdc}$ | V_O | 11.5 | 12 | 12.5 | Vdc |
| Line Regulation (Note 20) $14.8\text{ Vdc} \leq V_{in} \leq 30\text{ Vdc}$, $I_O = 500\text{ mA}$ $16\text{ Vdc} \leq V_{in} \leq 22\text{ Vdc}$, $I_O = 1.0\text{ A}$ $14.5\text{ Vdc} \leq V_{in} \leq 27\text{ Vdc}$, $T_J = 25^\circ\text{C}$ | Reg_{line} | – | 3.8 | 18 | mV |
| Load Regulation (Note 20) $5.0\text{ mA} \leq I_O \leq 1.5\text{ A}$, $T_J = 25^\circ\text{C}$ $5.0\text{ mA} \leq I_O \leq 1.0\text{ A}$ | Reg_{load} | – | – | 25 | mV |
| Quiescent Current | I_B | – | 3.4 | 6.0 | mA |
| Quiescent Current Change $15\text{ Vdc} \leq V_{in} \leq 30\text{ Vdc}$, $I_O = 500\text{ mA}$ $14.8\text{ Vdc} \leq V_{in} \leq 27\text{ Vdc}$, $T_J = 25^\circ\text{C}$ $5.0\text{ mA} \leq I_O \leq 1.0\text{ A}$, $T_J = 25^\circ\text{C}$ | ΔI_B | – | – | 0.8 | mA |
| Ripple Rejection $15\text{ Vdc} \leq V_{in} \leq 25\text{ Vdc}$, $f = 120\text{ Hz}$, $I_O = 500\text{ mA}$ | RR | 55 | 60 | – | dB |
| Dropout Voltage ($I_O = 1.0\text{ A}$, $T_J = 25^\circ\text{C}$) | $V_I - V_O$ | – | 2.0 | – | Vdc |
| Output Noise Voltage ($T_A = 25^\circ\text{C}$) $10\text{ Hz} \leq f \leq 100\text{ kHz}$ | V_n | – | 10 | – | $\mu\text{V}/V_O$ |
| Output Resistance ($f = 1.0\text{ kHz}$) | r_O | – | 1.1 | – | $\text{m}\Omega$ |
| Short Circuit Current Limit ($T_A = 25^\circ\text{C}$) $V_{in} = 35\text{ Vdc}$ | I_{sc} | – | 0.2 | – | A |
| Peak Output Current ($T_J = 25^\circ\text{C}$) | I_{max} | – | 2.2 | – | A |
| Average Temperature Coefficient of Output Voltage | TCV_O | – | –0.8 | – | $\text{mV}/^\circ\text{C}$ |

19. $T_{low} = 0^\circ\text{C}$ for MC78XXC, MC78XXAC,
= -40°C for NCV78XX, MC78XXB, MC78XXAB, and MC78XXAEB

20. Load and line regulation are specified at constant junction temperature. Changes in V_O due to heating effects must be taken into account separately. Pulse testing with low duty cycle is used.

MC7800, MC7800A, MC7800AE, NCV7800

ELECTRICAL CHARACTERISTICS ($V_{in} = 23\text{ V}$, $I_O = 500\text{ mA}$, $T_J = T_{low}$ to 125°C (Note 21), unless otherwise noted)

| Characteristic | Symbol | MC7815B/NCV7815B | | | MC7815C | | | Unit |
|--|---------------------|------------------|-------------|-----------------|-------------|-------------|-------------------|----------------------------|
| | | Min | Typ | Max | Min | Typ | Max | |
| Output Voltage ($T_J = 25^\circ\text{C}$) | V_O | 14.4 | 15 | 15.6 | 14.4 | 15 | 15.6 | Vdc |
| Output Voltage ($5.0\text{ mA} \leq I_O \leq 1.0\text{ A}$, $P_D \leq 15\text{ W}$) $17.5\text{ Vdc} \leq V_{in} \leq 30\text{ Vdc}$ $18.5\text{ Vdc} \leq V_{in} \leq 30\text{ Vdc}$ | V_O | – 14.25 | – 15 | – 15.75 | 14.25 – | 15 – | 15.75 – | Vdc |
| Line Regulation, $T_J = 25^\circ\text{C}$ (Note 22) $17.9\text{ Vdc} \leq V_{in} \leq 30\text{ Vdc}$ $20\text{ Vdc} \leq V_{in} \leq 26\text{ Vdc}$ | Reg_{line} | – – | 8.5 3.0 | 300 150 | – – | 8.5 3.0 | 30 28 | mV |
| Load Regulation, $T_J = 25^\circ\text{C}$ (Note 22) $5.0\text{ mA} \leq I_O \leq 1.5\text{ A}$ | Reg_{load} | – | 1.8 | 300 | – | 1.8 | 55 | mV |
| Quiescent Current | I_B | – | 3.5 | 8.0 | – | 3.5 | 6.5 | mA |
| Quiescent Current Change $17.5\text{ Vdc} \leq V_{in} \leq 30\text{ Vdc}$ $17.5\text{ Vdc} \leq V_{in} \leq 30\text{ Vdc}$, $I_O = 1.0\text{ A}$, $T_J = 25^\circ\text{C}$ $5.0\text{ mA} \leq I_O \leq 1.0\text{ A}$ | ΔI_B | – – – | – – – | – 1.0 0.5 | – – – | – – – | 0.8 0.7 0.5 | mA |
| Ripple Rejection $18.5\text{ Vdc} \leq V_{in} \leq 28.5\text{ Vdc}$, $f = 120\text{ Hz}$ | RR | – | 58 | – | 54 | 58 | – | dB |
| Dropout Voltage ($I_O = 1.0\text{ A}$, $T_J = 25^\circ\text{C}$) | $V_I - V_O$ | – | 2.0 | – | – | 2.0 | – | Vdc |
| Output Noise Voltage ($T_A = 25^\circ\text{C}$) $10\text{ Hz} \leq f \leq 100\text{ kHz}$ | V_n | – | 10 | – | – | 10 | – | $\mu\text{V}/V_O$ |
| Output Resistance $f = 1.0\text{ kHz}$ | r_O | – | 1.2 | – | – | 1.2 | – | $\text{m}\Omega$ |
| Short Circuit Current Limit ($T_A = 25^\circ\text{C}$) $V_{in} = 35\text{ Vdc}$ | I_{SC} | – | 0.2 | – | – | 0.2 | – | A |
| Peak Output Current ($T_J = 25^\circ\text{C}$) | I_{max} | – | 2.2 | – | – | 2.2 | – | A |
| Average Temperature Coefficient of Output Voltage | TCV_O | – | –1.0 | – | – | –1.0 | – | $\text{mV}/^\circ\text{C}$ |

21. $T_{low} = 0^\circ\text{C}$ for MC78XXC, MC78XXAC,
= -40°C for NCV78XX, MC78XXB, MC78XXAB, and MC78XXAEB

22. Load and line regulation are specified at constant junction temperature. Changes in V_O due to heating effects must be taken into account separately. Pulse testing with low duty cycle is used.

MC7800, MC7800A, MC7800AE, NCV7800

ELECTRICAL CHARACTERISTICS ($V_{in} = 23\text{ V}$, $I_O = 1.0\text{ A}$, $T_J = T_{low}$ to 125°C (Note 23), unless otherwise noted)

| Characteristic | Symbol | MC7815AB/MC7815AC | | | Unit |
|---|--------------|-------------------|-------------------|-------------------|----------------------------|
| | | Min | Typ | Max | |
| Output Voltage ($T_J = 25^\circ\text{C}$) | V_O | 14.7 | 15 | 15.3 | Vdc |
| Output Voltage ($5.0\text{ mA} \leq I_O \leq 1.0\text{ A}$, $P_D \leq 15\text{ W}$) $17.9\text{ Vdc} \leq V_{in} \leq 30\text{ Vdc}$ | V_O | 14.4 | 15 | 15.6 | Vdc |
| Line Regulation (Note 24) $17.9\text{ Vdc} \leq V_{in} \leq 30\text{ Vdc}$, $I_O = 500\text{ mA}$ $20\text{ Vdc} \leq V_{in} \leq 26\text{ Vdc}$ $17.5\text{ Vdc} \leq V_{in} \leq 30\text{ Vdc}$, $I_O = 1.0\text{ A}$, $T_J = 25^\circ\text{C}$ | Reg_{line} | – | 8.5 3.0 7.0 | 20 22 20 | mV |
| Load Regulation (Note 24) $5.0\text{ mA} \leq I_O \leq 1.5\text{ A}$, $T_J = 25^\circ\text{C}$ $5.0\text{ mA} \leq I_O \leq 1.0\text{ A}$ $250\text{ mA} \leq I_O \leq 750\text{ mA}$ | Reg_{load} | – | 1.8 1.5 1.2 | 25 25 15 | mV |
| Quiescent Current | I_B | – | 3.5 | 6.0 | mA |
| Quiescent Current Change $17.5\text{ Vdc} \leq V_{in} \leq 30\text{ Vdc}$, $I_O = 500\text{ mA}$ $17.5\text{ Vdc} \leq V_{in} \leq 30\text{ Vdc}$, $I_O = 1.0\text{ A}$, $T_J = 25^\circ\text{C}$ $5.0\text{ mA} \leq I_O \leq 1.0\text{ A}$ | ΔI_B | – | – | 0.8 0.8 0.5 | mA |
| Ripple Rejection $18.5\text{ Vdc} \leq V_{in} \leq 28.5\text{ Vdc}$, $f = 120\text{ Hz}$, $I_O = 500\text{ mA}$ | RR | 60 | 80 | – | dB |
| Dropout Voltage ($I_O = 1.0\text{ A}$, $T_J = 25^\circ\text{C}$) | $V_I - V_O$ | – | 2.0 | – | Vdc |
| Output Noise Voltage ($T_A = 25^\circ\text{C}$) $10\text{ Hz} \leq f \leq 100\text{ kHz}$ | V_n | – | 10 | – | $\mu\text{V}/V_O$ |
| Output Resistance $f = 1.0\text{ kHz}$ | r_O | – | 1.2 | – | $\text{m}\Omega$ |
| Short Circuit Current Limit ($T_A = 25^\circ\text{C}$) $V_{in} = 35\text{ Vdc}$ | I_{SC} | – | 0.2 | – | A |
| Peak Output Current ($T_J = 25^\circ\text{C}$) | I_{max} | – | 2.2 | – | A |
| Average Temperature Coefficient of Output Voltage | TCV_O | – | –1.0 | – | $\text{mV}/^\circ\text{C}$ |

23. $T_{low} = 0^\circ\text{C}$ for MC78XXC, MC78XXAC,
= -40°C for NCV78XX, MC78XXB, MC78XXAB, and MC78XXAEB

24. Load and line regulation are specified at constant junction temperature. Changes in V_O due to heating effects must be taken into account separately. Pulse testing with low duty cycle is used.

MC7800, MC7800A, MC7800AE, NCV7800

ELECTRICAL CHARACTERISTICS ($V_{in} = 27\text{ V}$, $I_O = 500\text{ mA}$, $T_J = T_{low}$ to 125°C (Note 25), unless otherwise noted)

| Characteristic | Symbol | MC7818B | | | MC7818C | | | Unit |
|--|----------------|-----------|------------|------------|-----------|------------|------------|----------------------------|
| | | Min | Typ | Max | Min | Typ | Max | |
| Output Voltage ($T_J = 25^\circ\text{C}$) | V_O | 17.3 | 18 | 18.7 | 17.3 | 18 | 18.7 | Vdc |
| Output Voltage ($5.0\text{ mA} \leq I_O \leq 1.0\text{ A}$, $P_D \leq 15\text{ W}$) $21\text{ Vdc} \leq V_{in} \leq 33\text{ Vdc}$ $22\text{ Vdc} \leq V_{in} \leq 33\text{ Vdc}$ | V_O | – 17.1 | – 18 | – 18.9 | 17.1 – | 18 – | 18.9 – | Vdc |
| Line Regulation, (Note 26) $21\text{ Vdc} \leq V_{in} \leq 33\text{ Vdc}$ $24\text{ Vdc} \leq V_{in} \leq 33\text{ Vdc}$ | Reg_{line} | – – | 9.5 3.2 | 360 180 | – – | 9.5 3.2 | 50 25 | mV |
| Load Regulation, (Note 26) $5.0\text{ mA} \leq I_O \leq 1.5\text{ A}$ | Reg_{load} | – | 2.0 | 360 | – | 2.0 | 55 | mV |
| Quiescent Current | I_B | – | 3.5 | 8.0 | – | 3.5 | 6.5 | mA |
| Quiescent Current Change $21\text{ Vdc} \leq V_{in} \leq 33\text{ Vdc}$ $5.0\text{ mA} \leq I_O \leq 1.0\text{ A}$ | ΔI_B | – – | – – | – 0.5 | – – | – – | 1.0 0.5 | mA |
| Ripple Rejection $22\text{ Vdc} \leq V_{in} \leq 33\text{ Vdc}$, $f = 120\text{ Hz}$ | RR | – | 57 | – | 53 | 57 | – | dB |
| Dropout Voltage ($I_O = 1.0\text{ A}$, $T_J = 25^\circ\text{C}$) | $V_{il} - V_O$ | – | 2.0 | – | – | 2.0 | – | Vdc |
| Output Noise Voltage ($T_A = 25^\circ\text{C}$) $10\text{ Hz} \leq f \leq 100\text{ kHz}$ | V_n | – | 10 | – | – | 10 | – | $\mu\text{V}/V_O$ |
| Output Resistance $f = 1.0\text{ kHz}$ | r_O | – | 1.3 | – | – | 1.3 | – | $\text{m}\Omega$ |
| Short Circuit Current Limit ($T_A = 25^\circ\text{C}$) $V_{in} = 35\text{ Vdc}$ | I_{SC} | – | 0.2 | – | – | 0.2 | – | A |
| Peak Output Current ($T_J = 25^\circ\text{C}$) | I_{max} | – | 2.2 | – | – | 2.2 | – | A |
| Average Temperature Coefficient of Output Voltage | TCV_O | – | –1.5 | – | – | –1.5 | – | $\text{mV}/^\circ\text{C}$ |

25. $T_{low} = 0^\circ\text{C}$ for MC78XXC, MC78XXAC,
= -40°C for NCV78XX, MC78XXB, MC78XXAB, and MC78XXAEB

26. Load and line regulation are specified at constant junction temperature. Changes in V_O due to heating effects must be taken into account separately. Pulse testing with low duty cycle is used.

MC7800, MC7800A, MC7800AE, NCV7800

ELECTRICAL CHARACTERISTICS ($V_{in} = 27\text{ V}$, $I_O = 1.0\text{ A}$, $T_J = T_{low}$ to 125°C (Note 27), unless otherwise noted)

| Characteristic | Symbol | MC7818AC | | | Unit |
|--|--------------|----------|--------------------------|------------------------|----------------------------|
| | | Min | Typ | Max | |
| Output Voltage ($T_J = 25^\circ\text{C}$) | V_O | 17.64 | 18 | 18.36 | Vdc |
| Output Voltage ($5.0\text{ mA} \leq I_O \leq 1.0\text{ A}$, $P_D \leq 15\text{ W}$) $21\text{ Vdc} \leq V_{in} \leq 33\text{ Vdc}$ | V_O | 17.3 | 18 | 18.7 | Vdc |
| Line Regulation (Note 28) $21\text{ Vdc} \leq V_{in} \leq 33\text{ Vdc}$, $I_O = 500\text{ mA}$ $24\text{ Vdc} \leq V_{in} \leq 30\text{ Vdc}$, $I_O = 1.0\text{ A}$ $24\text{ Vdc} \leq V_{in} \leq 30\text{ Vdc}$, $I_O = 1.0\text{ A}$, $T_J = 25^\circ\text{C}$ $20.6\text{ Vdc} \leq V_{in} \leq 33\text{ Vdc}$, $I_O = 1.0\text{ A}$, $T_J = 25^\circ\text{C}$ | Reg_{line} | - | 9.5 3.2 3.2 8.0 | 22 25 10.5 22 | mV |
| Load Regulation (Note 28) $5.0\text{ mA} \leq I_O \leq 1.5\text{ A}$, $T_J = 25^\circ\text{C}$ $5.0\text{ mA} \leq I_O \leq 1.0\text{ A}$ $250\text{ mA} \leq I_O \leq 750\text{ mA}$ | Reg_{load} | - | 2.0 1.8 1.5 | 25 25 15 | mV |
| Quiescent Current | I_B | - | 3.5 | 6.0 | mA |
| Quiescent Current Change $21\text{ Vdc} \leq V_{in} \leq 33\text{ Vdc}$, $I_O = 500\text{ mA}$ $21.5\text{ Vdc} \leq V_{in} \leq 30\text{ Vdc}$, $T_J = 25^\circ\text{C}$ $5.0\text{ mA} \leq I_O \leq 1.0\text{ A}$ | ΔI_B | - | - | 0.8 0.8 0.5 | mA |
| Ripple Rejection $22\text{ Vdc} \leq V_{in} \leq 32\text{ Vdc}$, $f = 120\text{ Hz}$, $I_O = 500\text{ mA}$ | RR | 53 | 57 | - | dB |
| Dropout Voltage ($I_O = 1.0\text{ A}$, $T_J = 25^\circ\text{C}$) | $V_I - V_O$ | - | 2.0 | - | Vdc |
| Output Noise Voltage ($T_A = 25^\circ\text{C}$) $10\text{ Hz} \leq f \leq 100\text{ kHz}$ | V_n | - | 10 | - | $\mu\text{V}/V_O$ |
| Output Resistance $f = 1.0\text{ kHz}$ | r_O | - | 1.3 | - | $\text{m}\Omega$ |
| Short Circuit Current Limit ($T_A = 25^\circ\text{C}$) $V_{in} = 35\text{ Vdc}$ | I_{SC} | - | 0.2 | - | A |
| Peak Output Current ($T_J = 25^\circ\text{C}$) | I_{max} | - | 2.2 | - | A |
| Average Temperature Coefficient of Output Voltage | TCV_O | - | -1.5 | - | $\text{mV}/^\circ\text{C}$ |

27. $T_{low} = 0^\circ\text{C}$ for MC78XXC, MC78XXAC,
= -40°C for NCV78XX, MC78XXB, MC78XXAB, and MC78XXAEB

28. Load and line regulation are specified at constant junction temperature. Changes in V_O due to heating effects must be taken into account separately. Pulse testing with low duty cycle is used.

MC7800, MC7800A, MC7800AE, NCV7800

ELECTRICAL CHARACTERISTICS ($V_{in} = 33\text{ V}$, $I_O = 500\text{ mA}$, $T_J = T_{low}$ to 125°C (Note 29), unless otherwise noted)

| Characteristic | Symbol | MC7824B | | | MC7824C | | | Unit |
|--|---------------------|-----------|-------------|------------|-----------|------------|------------|----------------------------|
| | | Min | Typ | Max | Min | Typ | Max | |
| Output Voltage ($T_J = 25^\circ\text{C}$) | V_O | 23 | 24 | 25 | 23 | 24 | 25 | Vdc |
| Output Voltage ($5.0\text{ mA} \leq I_O \leq 1.0\text{ A}$, $P_D \leq 15\text{ W}$) $27\text{ Vdc} \leq V_{in} \leq 38\text{ Vdc}$ $28\text{ Vdc} \leq V_{in} \leq 38\text{ Vdc}$ | V_O | – 22.8 | – 24 | – 25.2 | 22.8 – | 24 – | 25.2 – | Vdc |
| Line Regulation, (Note 30) $27\text{ Vdc} \leq V_{in} \leq 38\text{ Vdc}$ $30\text{ Vdc} \leq V_{in} \leq 38\text{ Vdc}$ | Reg_{line} | – – | 11.5 3.8 | 480 240 | – – | 2.7 2.7 | 60 48 | mV |
| Load Regulation, (Note 30) $5.0\text{ mA} \leq I_O \leq 1.5\text{ A}$ | Reg_{load} | – | 2.1 | 480 | – | 4.4 | 65 | mV |
| Quiescent Current | I_B | – | 3.6 | 8.0 | – | 3.6 | 6.5 | mA |
| Quiescent Current Change $27\text{ Vdc} \leq V_{in} \leq 38\text{ Vdc}$ $5.0\text{ mA} \leq I_O \leq 1.0\text{ A}$ | ΔI_B | – – | – – | – 0.5 | – – | – – | 1.0 0.5 | mA |
| Ripple Rejection $28\text{ Vdc} \leq V_{in} \leq 38\text{ Vdc}$, $f = 120\text{ Hz}$ | RR | – | 54 | – | 50 | 54 | – | dB |
| Dropout Voltage ($I_O = 1.0\text{ A}$, $T_J = 25^\circ\text{C}$) | $V_I - V_O$ | – | 2.0 | – | – | 2.0 | – | Vdc |
| Output Noise Voltage ($T_A = 25^\circ\text{C}$) $10\text{ Hz} \leq f \leq 100\text{ kHz}$ | V_n | – | 10 | – | – | 10 | – | $\mu\text{V}/V_O$ |
| Output Resistance $f = 1.0\text{ kHz}$ | r_O | – | 1.4 | – | – | 1.4 | – | $\text{m}\Omega$ |
| Short Circuit Current Limit ($T_A = 25^\circ\text{C}$) $V_{in} = 35\text{ Vdc}$ | I_{sc} | – | 0.2 | – | – | 0.2 | – | A |
| Peak Output Current ($T_J = 25^\circ\text{C}$) | I_{max} | – | 2.2 | – | – | 2.2 | – | A |
| Average Temperature Coefficient of Output Voltage | TCV_O | – | –2.0 | – | – | –2.0 | – | $\text{mV}/^\circ\text{C}$ |

29. $T_{low} = 0^\circ\text{C}$ for MC78XXC, MC78XXAC,
= -40°C for NCV78XX, MC78XXB, MC78XXAB, and MC78XXAEB

30. Load and line regulation are specified at constant junction temperature. Changes in V_O due to heating effects must be taken into account separately. Pulse testing with low duty cycle is used.

MC7800, MC7800A, MC7800AE, NCV7800

ELECTRICAL CHARACTERISTICS ($V_{in} = 33\text{ V}$, $I_O = 1.0\text{ A}$, $T_J = T_{low}$ to 125°C (Note 31), unless otherwise noted)

| Characteristic | Symbol | MC7824AC | | | Unit |
|---|--------------|----------|--------------------------|----------------------|----------------------------|
| | | Min | Typ | Max | |
| Output Voltage ($T_J = 25^\circ\text{C}$) | V_O | 23.5 | 24 | 24.5 | Vdc |
| Output Voltage ($5.0\text{ mA} \leq I_O \leq 1.0\text{ A}$, $P_D \leq 15\text{ W}$) $27.3\text{ Vdc} \leq V_{in} \leq 38\text{ Vdc}$ | V_O | 23.2 | 24 | 25.8 | Vdc |
| Line Regulation (Note 32) $27\text{ Vdc} \leq V_{in} \leq 38\text{ Vdc}$, $I_O = 500\text{ mA}$ $30\text{ Vdc} \leq V_{in} \leq 36\text{ Vdc}$, $I_O = 1.0\text{ A}$ $30\text{ Vdc} \leq V_{in} \leq 36\text{ Vdc}$, $T_J = 25^\circ\text{C}$ $26.7\text{ Vdc} \leq V_{in} \leq 38\text{ Vdc}$, $I_O = 1.0\text{ A}$, $T_J = 25^\circ\text{C}$ | Reg_{line} | – | 11.5 3.8 3.8 10 | 25 28 12 25 | mV |
| Load Regulation (Note 32) $5.0\text{ mA} \leq I_O \leq 1.5\text{ A}$, $T_J = 25^\circ\text{C}$ $5.0\text{ mA} \leq I_O \leq 1.0\text{ A}$ $250\text{ mA} \leq I_O \leq 750\text{ mA}$ | Reg_{load} | – | 2.1 2.0 1.8 | 15 25 15 | mV |
| Quiescent Current | I_B | – | 3.6 | 6.0 | mA |
| Quiescent Current Change $27.3\text{ Vdc} \leq V_{in} \leq 38\text{ Vdc}$, $I_O = 500\text{ mA}$ $27\text{ Vdc} \leq V_{in} \leq 38\text{ Vdc}$, $T_J = 25^\circ\text{C}$ $5.0\text{ mA} \leq I_O \leq 1.0\text{ A}$ | ΔI_B | – | – | 0.8 0.8 0.5 | mA |
| Ripple Rejection $28\text{ Vdc} \leq V_{in} \leq 38\text{ Vdc}$, $f = 120\text{ Hz}$, $I_O = 500\text{ mA}$ | RR | 45 | 54 | – | dB |
| Dropout Voltage ($I_O = 1.0\text{ A}$, $T_J = 25^\circ\text{C}$) | $V_I - V_O$ | – | 2.0 | – | Vdc |
| Output Noise Voltage ($T_A = 25^\circ\text{C}$) $10\text{ Hz} \leq f \leq 100\text{ kHz}$ | V_n | – | 10 | – | $\mu\text{V}/V_O$ |
| Output Resistance ($f = 1.0\text{ kHz}$) | r_O | – | 1.4 | – | $\text{m}\Omega$ |
| Short Circuit Current Limit ($T_A = 25^\circ\text{C}$) $V_{in} = 35\text{ Vdc}$ | I_{sc} | – | 0.2 | – | A |
| Peak Output Current ($T_J = 25^\circ\text{C}$) | I_{max} | – | 2.2 | – | A |
| Average Temperature Coefficient of Output Voltage | TCV_O | – | –2.0 | – | $\text{mV}/^\circ\text{C}$ |

31. $T_{low} = 0^\circ\text{C}$ for MC78XXC, MC78XXAC,
= -40°C for NCV78XX, MC78XXB, MC78XXAB, and MC78XXAEB

32. Load and line regulation are specified at constant junction temperature. Changes in V_O due to heating effects must be taken into account separately. Pulse testing with low duty cycle is used.

MC7800, MC7800A, MC7800AE, NCV7800

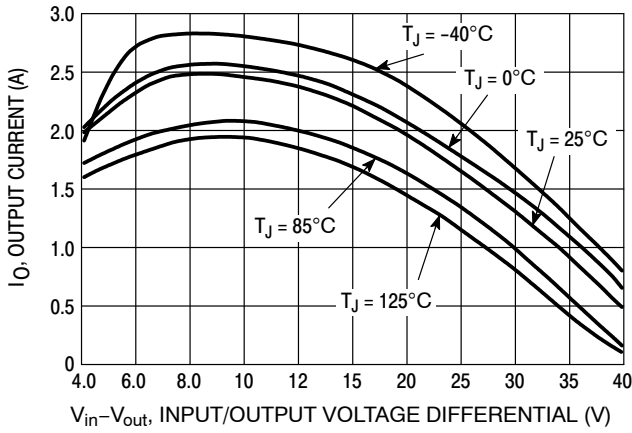


Figure 2. Peak Output Current as a Function of Input/Output Differential Voltage (MC78XXC, AC, B)

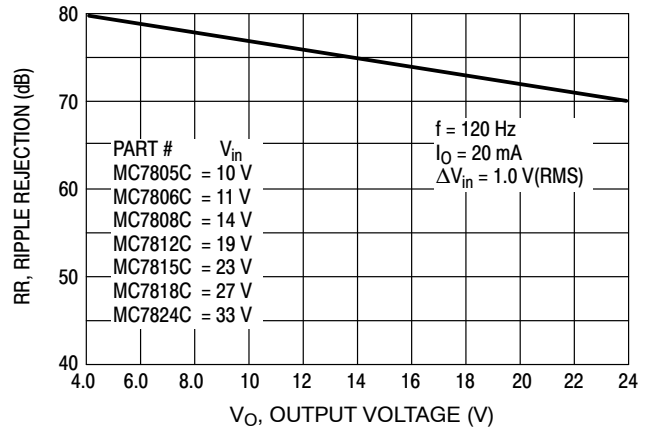


Figure 3. Ripple Rejection as a Function of Output Voltages (MC78XXC, AC, B)

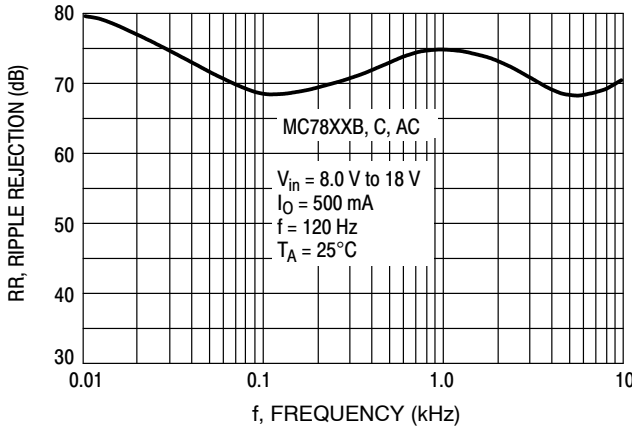


Figure 4. Ripple Rejection as a Function of Frequency (MC78XXC, AC, B)

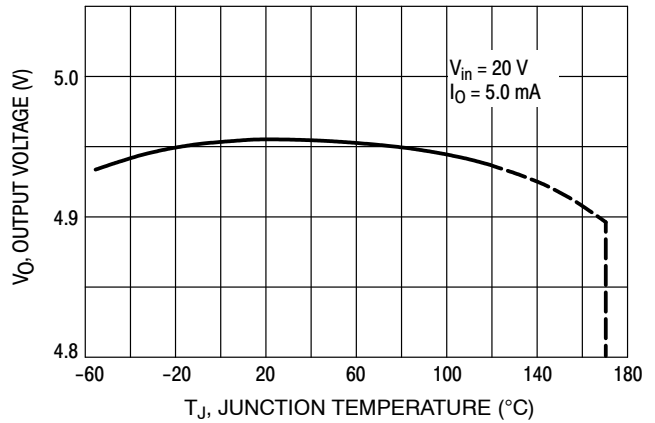


Figure 5. Output Voltage as a Function of Junction Temperature (MC7805C, AC, B)

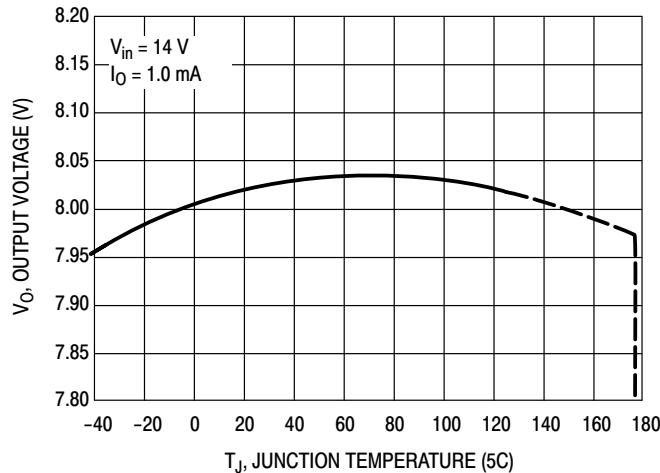


Figure 6. Output Voltage as a Function of Junction Temperature (MC7808AE)

MC7800, MC7800A, MC7800AE, NCV7800

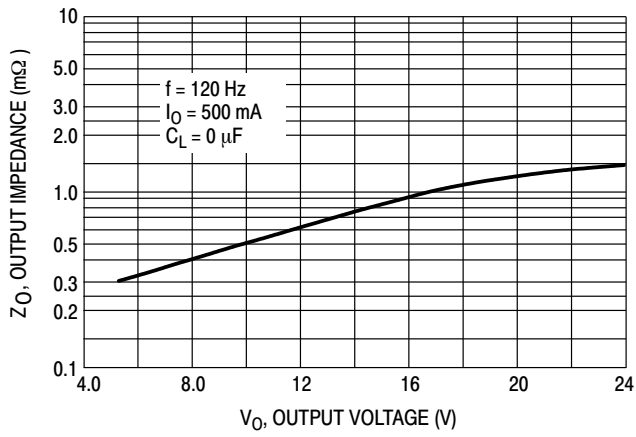


Figure 7. Output Impedance as a Function of Output Voltage (MC78XXC, AC, B)

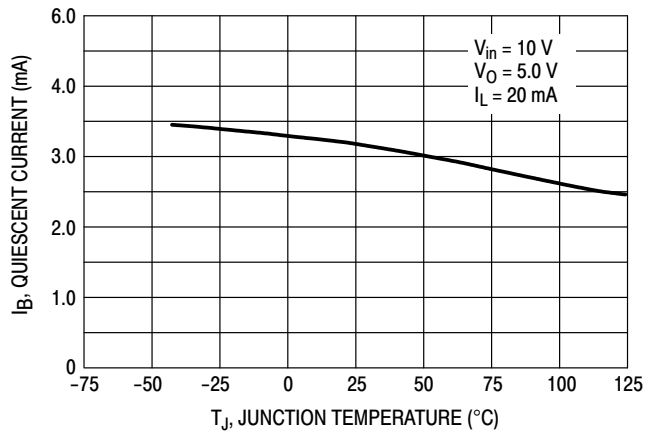


Figure 8. Quiescent Current as a Function of Temperature (MC78XXC, AC, B)

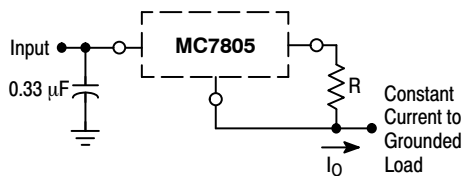
APPLICATIONS INFORMATION

Design Considerations

The MC7800 Series of fixed voltage regulators are designed with Thermal Overload Protection that shuts down the circuit when subjected to an excessive power overload condition, Internal Short Circuit Protection that limits the maximum current the circuit will pass, and Output Transistor Safe-Area Compensation that reduces the output short circuit current as the voltage across the pass transistor is increased.

In many low current applications, compensation capacitors are not required. However, it is recommended that the regulator input be bypassed with a capacitor if the regulator is connected to the power supply filter with long

wire lengths, or if the output load capacitance is large. An input bypass capacitor should be selected to provide good high-frequency characteristics to insure stable operation under all load conditions. A 0.33 μF or larger tantalum, mylar, or other capacitor having low internal impedance at high frequencies should be chosen. The bypass capacitor should be mounted with the shortest possible leads directly across the regulators input terminals. Normally good construction techniques should be used to minimize ground loops and lead resistance drops since the regulator has no external sense lead.



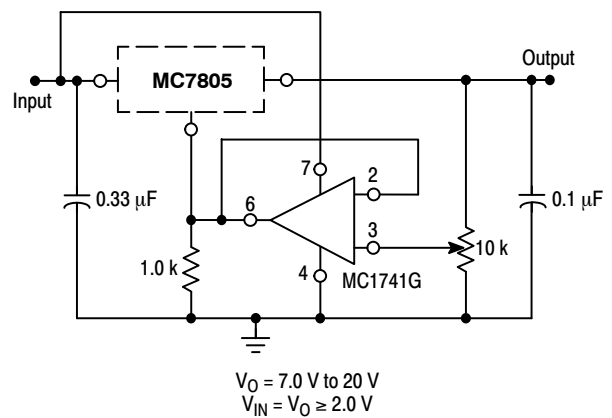
The MC7800 regulators can also be used as a current source when connected as above. In order to minimize dissipation the MC7805C is chosen in this application. Resistor R determines the current as follows:

$$I_O = \frac{5.0 \text{ V}}{R} + I_B$$

$I_B \cong 3.2 \text{ mA}$ over line and load changes.

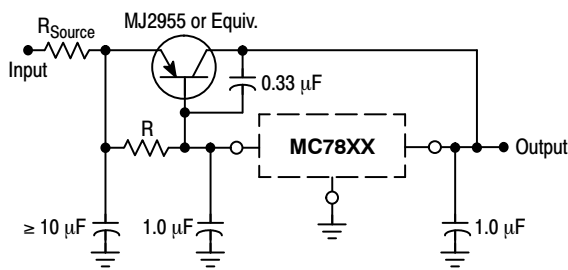
For example, a 1.0 A current source would require R to be a 5.0 Ω, 10 W resistor and the output voltage compliance would be the input voltage less 7.0 V.

Figure 9. Current Regulator



The addition of an operational amplifier allows adjustment to higher or intermediate values while retaining regulation characteristics. The minimum voltage obtainable with this arrangement is 2.0 V greater than the regulator voltage.

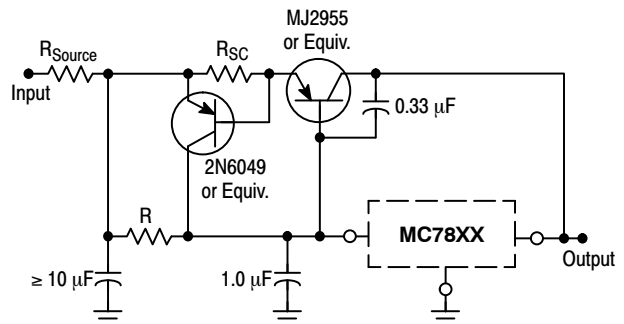
Figure 10. Adjustable Output Regulator



XX = 2 digits of type number indicating voltage.

The MC7800 series can be current boosted with a PNP transistor. The MJ2955 provides current to 5.0 A. Resistor R in conjunction with the V_{BE} of the PNP determines when the pass transistor begins conducting; this circuit is not short circuit proof. Input/output differential voltage minimum is increased by V_{BE} of the pass transistor.

Figure 11. Current Boost Regulator



XX = 2 digits of type number indicating voltage.

The circuit of Figure 11 can be modified to provide supply protection against short circuits by adding a short circuit sense resistor, R_{SC} , and an additional PNP transistor. The current sensing PNP must be able to handle the short circuit current of the three-terminal regulator. Therefore, a four-ampere plastic power transistor is specified.

Figure 12. Short Circuit Protection

MC7800, MC7800A, MC7800AE, NCV7800

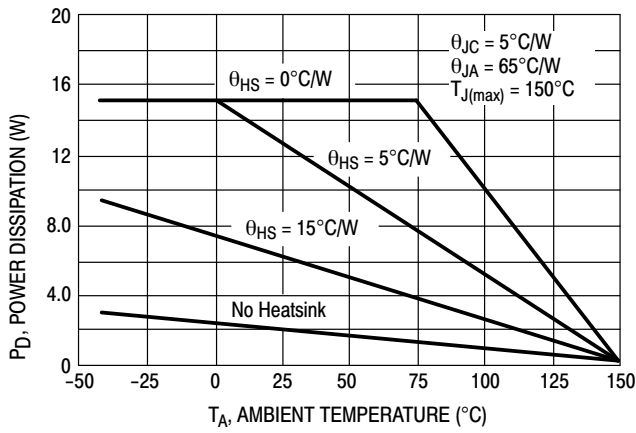


Figure 13. Worst Case Power Dissipation versus Ambient Temperature (Case 221A)

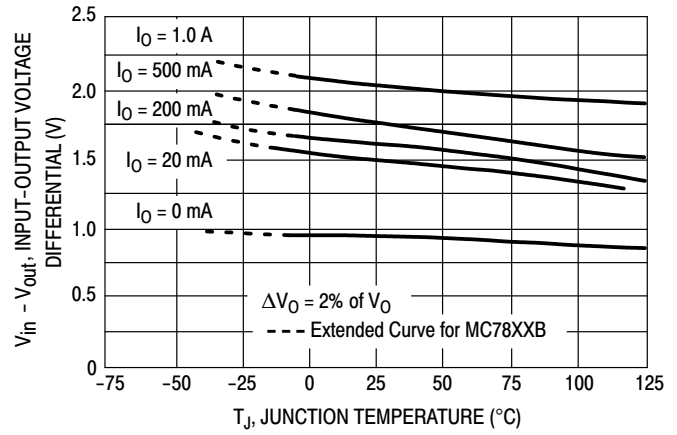


Figure 14. Input Output Differential as a Function of Junction Temperature (MC78XXC, AC, B)

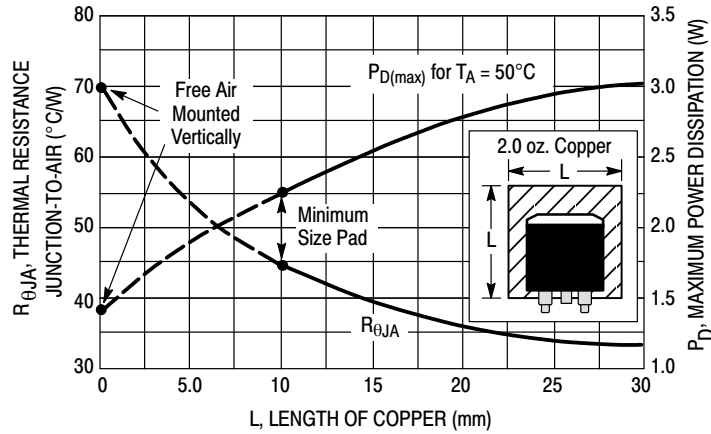


Figure 15. D²PAK Thermal Resistance and Maximum Power Dissipation versus P.C.B. Copper Length

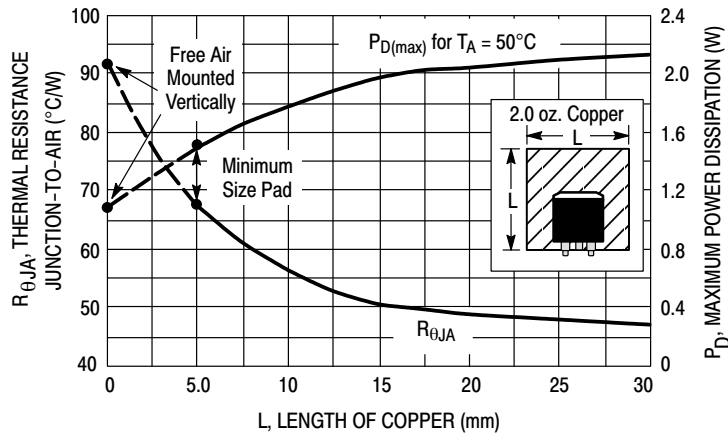


Figure 16. DPAK Thermal Resistance and Maximum Power Dissipation versus P.C.B. Copper Length

MC7800, MC7800A, MC7800AE, NCV7800

DEFINITIONS

Line Regulation – The change in output voltage for a change in the input voltage. The measurement is made under conditions of low dissipation or by using pulse techniques such that the average chip temperature is not significantly affected.

Load Regulation – The change in output voltage for a change in load current at constant chip temperature.

Maximum Power Dissipation – The maximum total device dissipation for which the regulator will operate within specifications.

Quiescent Current – That part of the input current that is not delivered to the load.

Output Noise Voltage – The rms ac voltage at the output, with constant load and no input ripple, measured over a specified frequency range.

Long Term Stability – Output voltage stability under accelerated life test conditions with the maximum rated voltage listed in the devices' electrical characteristics and maximum power dissipation.

ORDERING INFORMATION

| Device | Nominal Voltage | Operating Temperature Range | Package | Shipping [†] |
|-----------------|-----------------|----------------------------------|------------------------------|-----------------------|
| MC7805ABD2TG | 5.0 V | T _J = -40°C to +125°C | D ² PAK (Pb-free) | 50 Units /Rail |
| MC7805ABD2TR4G | 5.0 V | T _J = -40°C to +125°C | D ² PAK (Pb-free) | 800 / Tape & Reel |
| MC7805ABTG | 5.0 V | T _J = -40°C to +125°C | TO-220 (Pb-free) | 50 Units /Rail |
| MC7805ACD2TG | 5.0 V | T _J = 0°C to +125°C | D ² PAK (Pb-free) | 50 Units /Rail |
| MC7805ACD2TR4G | 5.0 V | T _J = 0°C to +125°C | D ² PAK (Pb-free) | 800 / Tape & Reel |
| MC7805ACTG | 5.0 V | T _J = 0°C to +125°C | TO-220 (Pb-free) | 50 Units /Rail |
| MC7805BD2TG | 5.0 V | T _J = -40°C to +125°C | D ² PAK (Pb-free) | 50 Units /Rail |
| MC7805BD2TR4G | 5.0 V | T _J = -40°C to +125°C | D ² PAK (Pb-free) | 800 / Tape & Reel |
| MC7805BDTG | 5.0 V | T _J = -40°C to +125°C | DPAK (Pb-free) | 75 Units / Rail |
| MC7805BDTRKG | 5.0 V | T _J = -40°C to +125°C | DPAK (Pb-free) | 2500 / Tape & Reel |
| MC7805BTG | 5.0 V | T _J = -40°C to +125°C | TO-220 (Pb-free) | 50 Units /Rail |
| NCV7805BDTRKG* | 5.0 V | T _J = -40°C to +125°C | DPAK (Pb-free) | 2500 / Tape & Reel |
| NCV7805BD2TG* | 5.0 V | T _J = -40°C to +125°C | D ² PAK (Pb-free) | 50 Units /Rail |
| NCV7805BD2TR4G* | 5.0 V | T _J = -40°C to +125°C | D ² PAK (Pb-free) | 800 / Tape & Reel |
| NCV7805BTG* | 5.0 V | T _J = -40°C to +125°C | TO-220 (Pb-free) | 50 Units /Rail |
| MC7805CD2TG | 5.0 V | T _J = 0°C to +125°C | D ² PAK (Pb-free) | 50 Units /Rail |
| MC7805CD2TR4G | 5.0 V | T _J = 0°C to +125°C | D ² PAK (Pb-free) | 800 / Tape & Reel |

[†]For information on tape and reel specifications, including part orientation and tape sizes, please refer to our Tape and Reel Packaging Specifications Brochure, BRD8011/D.

*NCV devices: T_{low} = -40°C, T_{high} = +125°C. Guaranteed by design. NCV Prefix for Automotive and Other Applications Requiring Unique Site and Control Change Requirements; AEC-Q100 Qualified and PPAP Capable.

MC7800, MC7800A, MC7800AE, NCV7800

ORDERING INFORMATION (continued)

| Device | Nominal Voltage | Operating Temperature Range | Package | Shipping [†] |
|------------------|-----------------|----------------------------------|------------------------------|-----------------------|
| MC7805CDTG | 5.0 V | T _J = 0°C to +125°C | DPAK (Pb-free) | 75 Units / Rail |
| MC7805CDTRKG | 5.0 V | T _J = 0°C to +125°C | DPAK (Pb-free) | 2500 / Tape & Reel |
| MC7805CTG | 5.0 V | T _J = 0°C to +125°C | TO-220 (Pb-free) | 50 Units /Rail |
| NCV7805ABD2TR4G* | 5.0 V | T _J = -40°C to +125°C | D ² PAK (Pb-free) | 800 / Tape & Reel |
| MC7806ACTG | 6.0 V | T _J = 0°C to +125°C | TO-220 (Pb-free) | 50 Units /Rail |
| MC7806BD2TG | 6.0 V | T _J = -40°C to +125°C | D ² PAK (Pb-free) | 50 Units /Rail |
| MC7806BD2TR4G | 6.0 V | T _J = -40°C to +125°C | D ² PAK (Pb-free) | 800 / Tape & Reel |
| MC7806BTG | 6.0 V | T _J = -40°C to +125°C | TO-220 (Pb-free) | 50 Units /Rail |
| MC7806CTG | 6.0 V | T _J = 0°C to +125°C | TO-220 (Pb-free) | 50 Units /Rail |
| MC7808ABD2TG | 8.0 V | T _J = -40°C to +125°C | D ² PAK (Pb-free) | 50 Units / Rail |
| MC7808ABD2TR4G | 8.0 V | T _J = -40°C to +125°C | D ² PAK (Pb-free) | 800 / Tape & Reel |
| MC7808ABTG | 8.0 V | T _J = -40°C to +125°C | TO-220 (Pb-free) | 50 Units / Rail |
| MC7808ACTG | 8.0 V | T _J = 0°C to +125°C | TO-220 (Pb-free) | 50 Units / Rail |
| MC7808AEBTG | 8.0 V | T _J = -40°C to +125°C | TO-220 (Pb-free) | 50 Units / Rail |
| MC7808BD2TG | 8.0 V | T _J = -40°C to +125°C | D ² PAK (Pb-free) | 50 Units / Rail |
| MC7808BD2TR4G | 8.0 V | T _J = -40°C to +125°C | D ² PAK (Pb-free) | 800 / Tape & Reel |
| MC7808BDTG | 8.0 V | T _J = -40°C to +125°C | DPAK (Pb-free) | 75 Units / Rail |
| MC7808BDTRKG | 8.0 V | T _J = -40°C to +125°C | DPAK (Pb-free) | 2500 / Tape & Reel |
| MC7808BTG | 8.0 V | T _J = -40°C to +125°C | TO-220 (Pb-free) | 50 Units /Rail |
| MC7808CD2TG | 8.0 V | T _J = 0°C to +125°C | D ² PAK (Pb-free) | 50 Units /Rail |
| MC7808CD2TR4G | 8.0 V | T _J = 0°C to +125°C | D ² PAK (Pb-free) | 800 / Tape & Reel |
| MC7808CDTG | 8.0 V | T _J = 0°C to +125°C | DPAK (Pb-free) | 75 Units / Rail |
| MC7808CDTT5G | 8.0 V | T _J = 0°C to +125°C | DPAK (Pb-free) | 2500 / Tape & Reel |

[†]For information on tape and reel specifications, including part orientation and tape sizes, please refer to our Tape and Reel Packaging Specifications Brochure, BRD8011/D.

*NCV devices: T_{low} = -40°C, T_{high} = +125°C. Guaranteed by design. NCV Prefix for Automotive and Other Applications Requiring Unique Site and Control Change Requirements; AEC-Q100 Qualified and PPAP Capable.

MC7800, MC7800A, MC7800AE, NCV7800

ORDERING INFORMATION (continued)

| Device | Nominal Voltage | Operating Temperature Range | Package | Shipping [†] |
|-----------------|-----------------|----------------------------------|------------------------------|-----------------------|
| MC7808CDTRKG | 8.0 V | T _J = 0°C to +125°C | DPAK (Pb-free) | 2500 / Tape & Reel |
| MC7808CTG | 8.0 V | T _J = 0°C to +125°C | TO-220 (Pb-free) | 50 Units /Rail |
| NCV7808BDTG* | 8.0 V | T _J = -40°C to +125°C | DPAK (Pb-free) | 75 Units / Rail |
| NCV7808BDTRKG* | 8.0 V | T _J = -40°C to +125°C | DPAK (Pb-free) | 2500 / Tape & Reel |
| NCV7808BTG* | 8.0 V | T _J = -40°C to +125°C | TO-220 (Pb-free) | 50 Units / Rail |
| NCV7808BD2TR4G* | 8.0 V | T _J = -40°C to +125°C | D ² PAK (Pb-free) | 800 / Tape & Reel |
| MC7809ABTG | 9.0 V | T _J = -40°C to +125°C | TO-220 (Pb-free) | 50 Units /Rail |
| MC7809ACTG | 9.0 V | T _J = 0°C to +125°C | TO-220 (Pb-free) | 50 Units /Rail |
| MC7809BTG | 9.0 V | T _J = -40°C to +125°C | TO-220 (Pb-free) | 50 Units /Rail |
| MC7809CD2TG | 9.0 V | T _J = 0°C to +125°C | D ² PAK (Pb-free) | 50 Units /Rail |
| MC7809CD2TR4G | 9.0 V | T _J = 0°C to +125°C | D ² PAK (Pb-free) | 800 / Tape & Reel |
| MC7809CTG | 9.0 V | T _J = 0°C to +125°C | TO-220 (Pb-free) | 50 Units /Rail |
| NCV7809BD2TR4G* | 9.0 V | T _J = -40°C to +125°C | D ² PAK (Pb-free) | 800 / Tape & Reel |
| MC7812ABD2TG | 12 V | T _J = -40°C to +125°C | D ² PAK (Pb-free) | 50 Units /Rail |
| MC7812ABD2TR4G | 12 V | T _J = -40°C to +125°C | D ² PAK (Pb-free) | 800 / Tape & Reel |
| MC7812ABTG | 12 V | T _J = -40°C to +125°C | TO-220 (Pb-free) | 50 Units /Rail |
| MC7812ACD2TG | 12 V | T _J = 0°C to +125°C | D ² PAK (Pb-free) | 50 Units /Rail |
| MC7812ACD2TR4G | 12 V | T _J = 0°C to +125°C | D ² PAK (Pb-free) | 800 / Tape & Reel |
| MC7812ACTG | 12 V | T _J = 0°C to +125°C | TO-220 (Pb-free) | 50 Units /Rail |
| MC7812BD2TG | 12 V | T _J = -40°C to +125°C | D ² PAK (Pb-free) | 50 Units /Rail |
| MC7812BD2TR4G | 12 V | T _J = -40°C to +125°C | D ² PAK (Pb-free) | 800 / Tape & Reel |
| MC7812BDTG | 12 V | T _J = -40°C to +125°C | DPAK (Pb-free) | 75 Units / Rail |
| MC7812BDTRKG | 12 V | T _J = -40°C to +125°C | DPAK (Pb-free) | 2500 / Tape & Reel |

[†]For information on tape and reel specifications, including part orientation and tape sizes, please refer to our Tape and Reel Packaging Specifications Brochure, BRD8011/D.

*NCV devices: T_{low} = -40°C, T_{high} = +125°C. Guaranteed by design. NCV Prefix for Automotive and Other Applications Requiring Unique Site and Control Change Requirements; AEC-Q100 Qualified and PPAP Capable.

MC7800, MC7800A, MC7800AE, NCV7800

ORDERING INFORMATION (continued)

| Device | Nominal Voltage | Operating Temperature Range | Package | Shipping [†] |
|-----------------|-----------------|----------------------------------|---------------------------------|-----------------------|
| MC7812BTG | 12 V | T _J = -40°C to +125°C | TO-220 (Pb-free) | 50 Units / Rail |
| NCV7812BD2TR4G* | 12 V | T _J = -40°C to +125°C | D ² PAK (Pb-free) | 800 / Tape & Reel |
| NCV7812BTG* | 12 V | T _J = -40°C to +125°C | TO-220 (Pb-free) | 50 Units / Rail |
| MC7812CD2TG | 12 V | T _J = 0°C to +125°C | D ² PAK (Pb-free) | 50 Units / Rail |
| MC7812CD2TR4G | 12 V | T _J = 0°C to +125°C | D ² PAK (Pb-free) | 800 / Tape & Reel |
| MC7812CDTG | 12 V | T _J = 0°C to +125°C | DPAK (Pb-free) | 75 Units / Rail |
| MC7812CDTRKG | 12 V | T _J = 0°C to +125°C | DPAK (Pb-free) | 2500 / Tape & Reel |
| MC7812CTG | 12 V | T _J = 0°C to +125°C | TO-220 (Pb-free) | 50 Units / Rail |
| NCV7812ABTG* | 12 V | T _J = -40°C to +125°C | TO-220 (Pb-free) | 50 Units / Rail |
| MC7815ABD2TG | 15 V | T _J = -40°C to +125°C | D ² PAK (Pb-free) | 50 Units / Rail |
| MC7815ABD2TR4G | 15 V | T _J = -40°C to +125°C | D ² PAK (Pb-free) | 800 / Tape & Reel |
| MC7815ABTG | 15 V | T _J = -40°C to +125°C | TO-220 (Pb-free) | 50 Units / Rail |
| MC7815ACD2TG | 15 V | T _J = 0°C to +125°C | D ² PAK (Pb-free) | 50 Units / Rail |
| MC7815ACTG | 15 V | T _J = 0°C to +125°C | TO-220 (Pb-free) | 50 Units / Rail |
| MC7815BD2TG | 15 V | T _J = -40°C to +125°C | D ² PAK (Pb-free) | 50 Units / Rail |
| NCV7815BTG* | 15 V | T _J = -40°C to +125°C | TO-220 (Pb-free) | 50 Units / Rail |
| MC7815BD2TR4G | 15 V | T _J = -40°C to +125°C | D ² PAK (Pb-free) | 800 / Tape & Reel |
| MC7815BDTG | 15 V | T _J = -40°C to +125°C | DPAK (Pb-free) | 75 Units / Rail |
| MC7815BDTRKG | 15 V | T _J = -40°C to +125°C | DPAK (Pb-free) | 2500 / Tape & Reel |
| MC7815BTG | 15 V | T _J = -40°C to +125°C | TO-220 (Pb-free) | 50 Units / Rail |
| MC7815CD2TG | 15 V | T _J = 0°C to +125°C | D ² PAK (Pb-free) | 50 Units / Rail |
| MC7815CD2TR4G | 15 V | T _J = 0°C to +125°C | D ² PAK (Pb-free) | 800 / Tape & Reel |
| MC7815CDTG | 15 V | T _J = 0°C to +125°C | DPAK (Pb-free) | 75 Units / Rail |

[†]For information on tape and reel specifications, including part orientation and tape sizes, please refer to our Tape and Reel Packaging Specifications Brochure, BRD8011/D.

*NCV devices: T_{low} = -40°C, T_{high} = +125°C. Guaranteed by design. NCV Prefix for Automotive and Other Applications Requiring Unique Site and Control Change Requirements; AEC-Q100 Qualified and PPAP Capable.

MC7800, MC7800A, MC7800AE, NCV7800

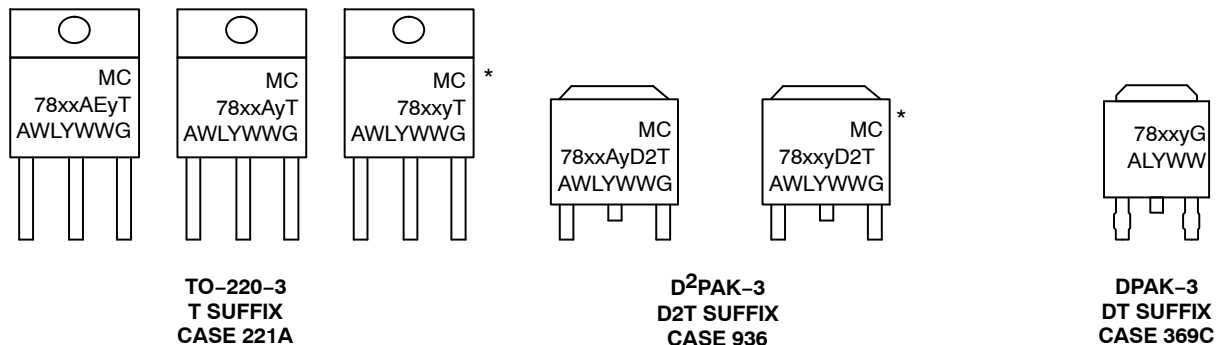
ORDERING INFORMATION (continued)

| Device | Nominal Voltage | Operating Temperature Range | Package | Shipping [†] |
|---------------|-----------------|----------------------------------|------------------------------|-----------------------|
| MC7815CDTRKG | 15 V | T _J = 0°C to +125°C | DPAK (Pb-free) | 2500 / Tape & Reel |
| MC7815CTG | 15 V | T _J = 0°C to +125°C | TO-220 (Pb-free) | 50 Units /Rail |
| MC7818ACTG | 18 V | T _J = 0°C to +125°C | TO-220 (Pb-free) | 50 Units /Rail |
| MC7818BTG | 18 V | T _J = -40°C to +125°C | TO-220 (Pb-free) | 50 Units /Rail |
| MC7818CD2TR4G | 18 V | T _J = 0°C to +125°C | D ² PAK (Pb-free) | 800 / Tape & Reel |
| MC7818CTG | 18 V | T _J = 0°C to +125°C | TO-220 (Pb-free) | 50 Units /Rail |
| MC7824ACTG | 24 V | T _J = 0°C to +125°C | TO-220 (Pb-free) | 50 Units /Rail |
| MC7824BD2TG | 24 V | T _J = -40°C to +125°C | D ² PAK (Pb-free) | 50 Units /Rail |
| MC7824BD2TR4G | 24 V | T _J = -40°C to +125°C | D ² PAK (Pb-free) | 800 / Tape & Reel |
| MC7824BTG | 24 V | T _J = -40°C to +125°C | TO-220 (Pb-free) | 50 Units /Rail |
| MC7824CD2TG | 24 V | T _J = 0°C to +125°C | D ² PAK (Pb-free) | 50 Units /Rail |
| MC7824CD2TR4G | 24 V | T _J = 0°C to +125°C | D ² PAK (Pb-free) | 800 / Tape & Reel |
| MC7824CTG | 24 V | T _J = 0°C to +125°C | TO-220 (Pb-free) | 50 Units /Rail |

[†]For information on tape and reel specifications, including part orientation and tape sizes, please refer to our Tape and Reel Packaging Specifications Brochure, BRD8011/D.

*NCV devices: T_{low} = -40°C, T_{high} = +125°C. Guaranteed by design. NCV Prefix for Automotive and Other Applications Requiring Unique Site and Control Change Requirements; AEC-Q100 Qualified and PPAP Capable.

MARKING DIAGRAMS



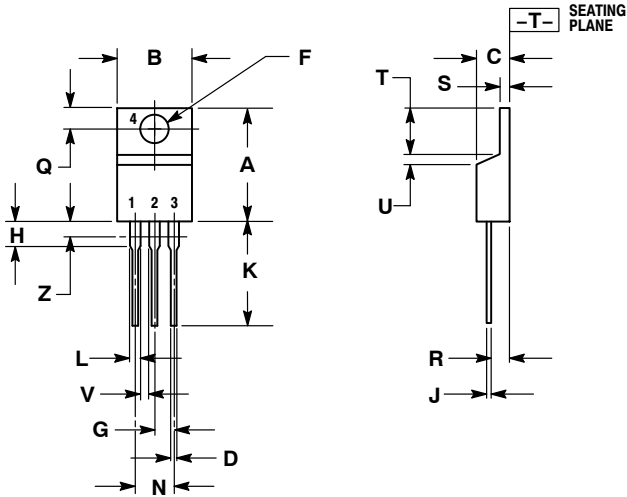
*This marking diagram also applies to NCV78xx family.

xx = 05, 06, 08, 09, 12, 15, 18, or 24
 y = B or C
 A = Assembly Location
 WL, L = Wafer Lot
 Y = Year
 WW = Work Week
 G = Pb-Free Device

MC7800, MC7800A, MC7800AE, NCV7800

PACKAGE DIMENSIONS

TO-220, SINGLE GAUGE CASE 221AB ISSUE A



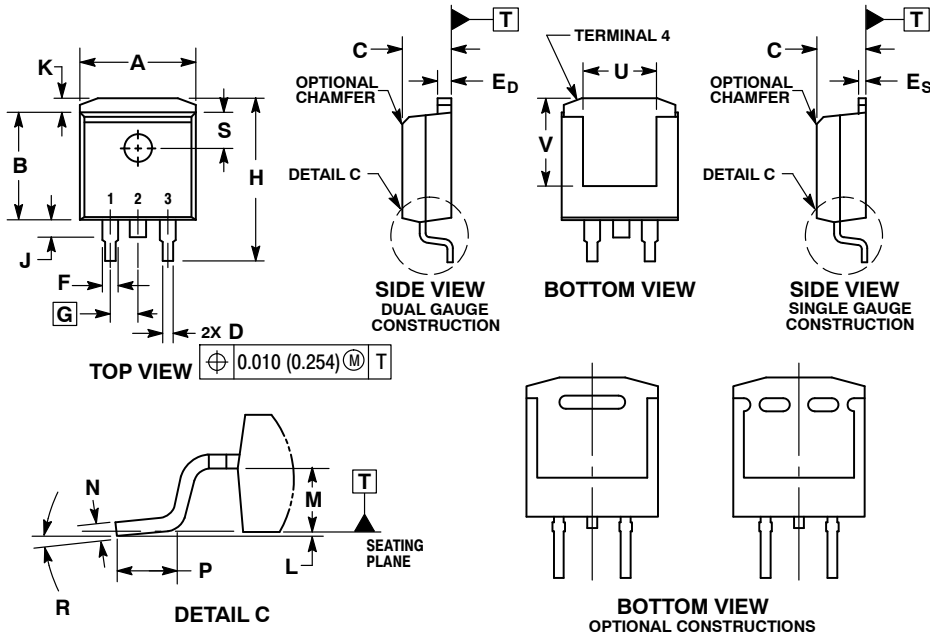
- NOTES:
1. DIMENSIONING AND TOLERANCING PER ANSI Y14.5M, 1982.
 2. CONTROLLING DIMENSION: INCHES.
 3. DIMENSION Z DEFINES A ZONE WHERE ALL BODY AND LEAD IRREGULARITIES ARE ALLOWED.
 4. PRODUCT SHIPPED PRIOR TO 2008 HAD DIMENSIONS
S = 0.045 - 0.055 INCHES (1.143 - 1.397 MM)

| DIM | INCHES | | MILLIMETERS | |
|-----|--------|-------|-------------|-------|
| | MIN | MAX | MIN | MAX |
| A | 0.570 | 0.620 | 14.48 | 15.75 |
| B | 0.380 | 0.405 | 9.66 | 10.28 |
| C | 0.160 | 0.190 | 4.07 | 4.82 |
| D | 0.025 | 0.035 | 0.64 | 0.88 |
| F | 0.142 | 0.147 | 3.61 | 3.73 |
| G | 0.095 | 0.105 | 2.42 | 2.66 |
| H | 0.110 | 0.155 | 2.80 | 3.93 |
| J | 0.018 | 0.025 | 0.46 | 0.64 |
| K | 0.500 | 0.562 | 12.70 | 14.27 |
| L | 0.045 | 0.060 | 1.15 | 1.52 |
| N | 0.190 | 0.210 | 4.83 | 5.33 |
| Q | 0.100 | 0.120 | 2.54 | 3.04 |
| R | 0.080 | 0.110 | 2.04 | 2.79 |
| S | 0.020 | 0.024 | 0.508 | 0.61 |
| T | 0.235 | 0.255 | 5.97 | 6.47 |
| U | 0.000 | 0.050 | 0.00 | 1.27 |
| V | 0.045 | --- | 1.15 | --- |
| Z | --- | 0.080 | --- | 2.04 |

MC7800, MC7800A, MC7800AE, NCV7800

PACKAGE DIMENSIONS

D²PAK-3 CASE 936-03 ISSUE D

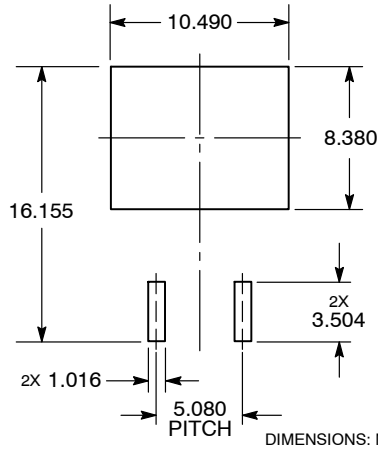


NOTES:

1. DIMENSIONING AND TOLERANCING PER ANSI Y14.5M, 1982.
2. CONTROLLING DIMENSION: INCHES.
3. TAB CONTOUR OPTIONAL WITHIN DIMENSIONS A AND K.
4. DIMENSIONS U AND V ESTABLISH A MINIMUM MOUNTING SURFACE FOR TERMINAL 4.
5. DIMENSIONS A AND B DO NOT INCLUDE MOLD FLASH OR GATE PROTRUSIONS. MOLD FLASH AND GATE PROTRUSIONS NOT TO EXCEED 0.025 (0.635) MAXIMUM.
6. SINGLE GAUGE DESIGN WILL BE SHIPPED AFTER FPCN EXPIRATION IN OCTOBER 2011.

| DIM | INCHES | | MILLIMETERS | |
|----------------|-----------|-------|-------------|--------|
| | MIN | MAX | MIN | MAX |
| A | 0.386 | 0.403 | 9.804 | 10.236 |
| B | 0.356 | 0.368 | 9.042 | 9.347 |
| C | 0.170 | 0.180 | 4.318 | 4.572 |
| D | 0.026 | 0.036 | 0.660 | 0.914 |
| E _D | 0.045 | 0.055 | 1.143 | 1.397 |
| E _S | 0.018 | 0.026 | 0.457 | 0.660 |
| F | 0.051 REF | | 1.295 REF | |
| G | 0.100 BSC | | 2.540 BSC | |
| H | 0.539 | 0.579 | 13.691 | 14.707 |
| J | 0.125 MAX | | 3.175 MAX | |
| K | 0.050 REF | | 1.270 REF | |
| L | 0.000 | 0.010 | 0.000 | 0.254 |
| M | 0.088 | 0.102 | 2.235 | 2.591 |
| N | 0.018 | 0.026 | 0.457 | 0.660 |
| P | 0.058 | 0.078 | 1.473 | 1.981 |
| R | 5° REF | | 5° REF | |
| S | 0.116 REF | | 2.946 REF | |
| U | 0.200 MIN | | 5.080 MIN | |
| V | 0.250 MIN | | 6.350 MIN | |

SOLDERING FOOTPRINT*

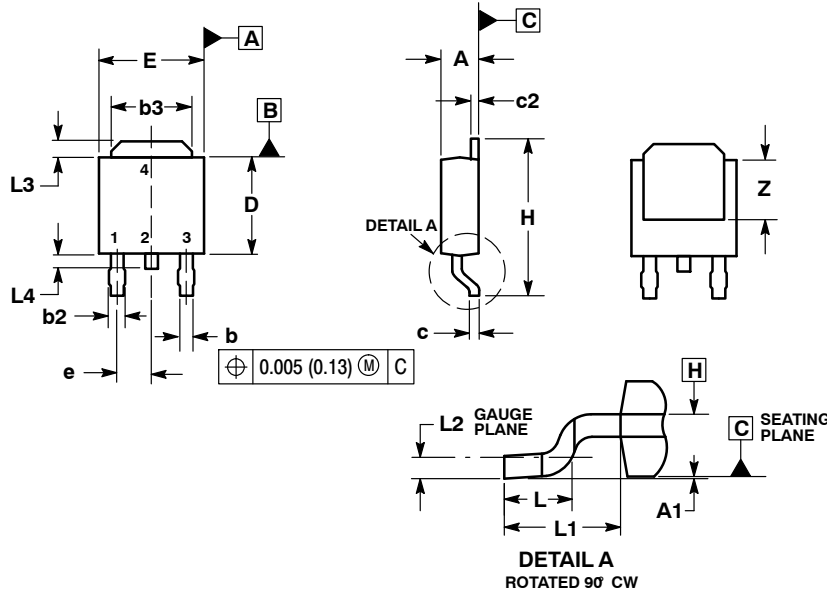


*For additional information on our Pb-Free strategy and soldering details, please download the ON Semiconductor Soldering and Mounting Techniques Reference Manual, SOLDERRM/D.

MC7800, MC7800A, MC7800AE, NCV7800

PACKAGE DIMENSIONS

DPAK-3 CASE 369C ISSUE D

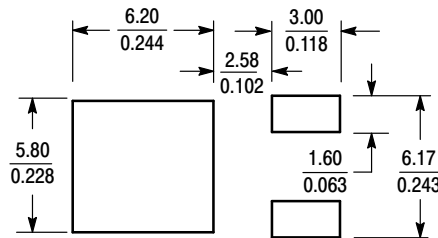


NOTES:

1. DIMENSIONING AND TOLERANCING PER ASME Y14.5M, 1994.
2. CONTROLLING DIMENSION: INCHES.
3. THERMAL PAD CONTOUR OPTIONAL WITHIN DIMENSIONS b3, L3 and Z.
4. DIMENSIONS D AND E DO NOT INCLUDE MOLD FLASH, PROTRUSIONS, OR BURRS. MOLD FLASH, PROTRUSIONS, OR GATE BURRS SHALL NOT EXCEED 0.006 INCHES PER SIDE.
5. DIMENSIONS D AND E ARE DETERMINED AT THE OUTERMOST EXTREMES OF THE PLASTIC BODY.
6. DATUMS A AND B ARE DETERMINED AT DATUM PLANE H.

| DIM | INCHES | | MILLIMETERS | |
|-----|-----------|-------|-------------|-------|
| | MIN | MAX | MIN | MAX |
| A | 0.086 | 0.094 | 2.18 | 2.38 |
| A1 | 0.000 | 0.005 | 0.00 | 0.13 |
| b | 0.025 | 0.035 | 0.63 | 0.89 |
| b2 | 0.030 | 0.045 | 0.76 | 1.14 |
| b3 | 0.180 | 0.215 | 4.57 | 5.46 |
| c | 0.018 | 0.024 | 0.46 | 0.61 |
| c2 | 0.018 | 0.024 | 0.46 | 0.61 |
| D | 0.235 | 0.245 | 5.97 | 6.22 |
| E | 0.250 | 0.265 | 6.35 | 6.73 |
| e | 0.090 BSC | | 2.29 BSC | |
| H | 0.370 | 0.410 | 9.40 | 10.41 |
| L | 0.055 | 0.070 | 1.40 | 1.78 |
| L1 | 0.108 REF | | 2.74 REF | |
| L2 | 0.020 BSC | | 0.51 BSC | |
| L3 | 0.035 | 0.050 | 0.89 | 1.27 |
| L4 | --- | 0.040 | --- | 1.01 |
| Z | 0.155 | --- | 3.93 | --- |

SOLDERING FOOTPRINT*



SCALE 3:1 (mm/inches)

*For additional information on our Pb-Free strategy and soldering details, please download the ON Semiconductor Soldering and Mounting Techniques Reference Manual, SOLDERRM/D.

ON Semiconductor and are registered trademarks of Semiconductor Components Industries, LLC (SCILLC). SCILLC owns the rights to a number of patents, trademarks, copyrights, trade secrets, and other intellectual property. A listing of SCILLC's product/patent coverage may be accessed at www.onsemi.com/site/pdf/Patent-Marking.pdf. SCILLC reserves the right to make changes without further notice to any products herein. SCILLC makes no warranty, representation or guarantee regarding the suitability of its products for any particular purpose, nor does SCILLC assume any liability arising out of the application or use of any product or circuit, and specifically disclaims any and all liability, including without limitation special, consequential or incidental damages. "Typical" parameters which may be provided in SCILLC data sheets and/or specifications can and do vary in different applications and actual performance may vary over time. All operating parameters, including "Typicals" must be validated for each customer application by customer's technical experts. SCILLC does not convey any license under its patent rights nor the rights of others. SCILLC products are not designed, intended, or authorized for use as components in systems intended for surgical implant into the body, or other applications intended to support or sustain life, or for any other application in which the failure of the SCILLC product could create a situation where personal injury or death may occur. Should Buyer purchase or use SCILLC products for any such unintended or unauthorized application, Buyer shall indemnify and hold SCILLC and its officers, employees, subsidiaries, affiliates, and distributors harmless against all claims, costs, damages, and expenses, and reasonable attorney fees arising out of, directly or indirectly, any claim of personal injury or death associated with such unintended or unauthorized use, even if such claim alleges that SCILLC was negligent regarding the design or manufacture of the part. SCILLC is an Equal Opportunity/Affirmative Action Employer. This literature is subject to all applicable copyright laws and is not for resale in any manner.

PUBLICATION ORDERING INFORMATION

LITERATURE FULFILLMENT:

Literature Distribution Center for ON Semiconductor
P.O. Box 5163, Denver, Colorado 80217 USA
Phone: 303-675-2175 or 800-344-3860 Toll Free USA/Canada
Fax: 303-675-2176 or 800-344-3867 Toll Free USA/Canada
Email: orderlit@onsemi.com

N. American Technical Support: 800-282-9855 Toll Free
USA/Canada
Europe, Middle East and Africa Technical Support:
Phone: 421 33 790 2910
Japan Customer Focus Center
Phone: 81-3-5817-1050

ON Semiconductor Website: www.onsemi.com

Order Literature: <http://www.onsemi.com/orderlit>

For additional information, please contact your local Sales Representative