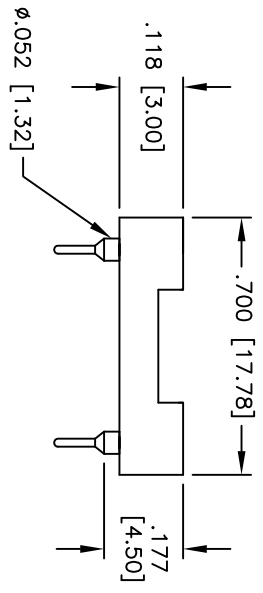
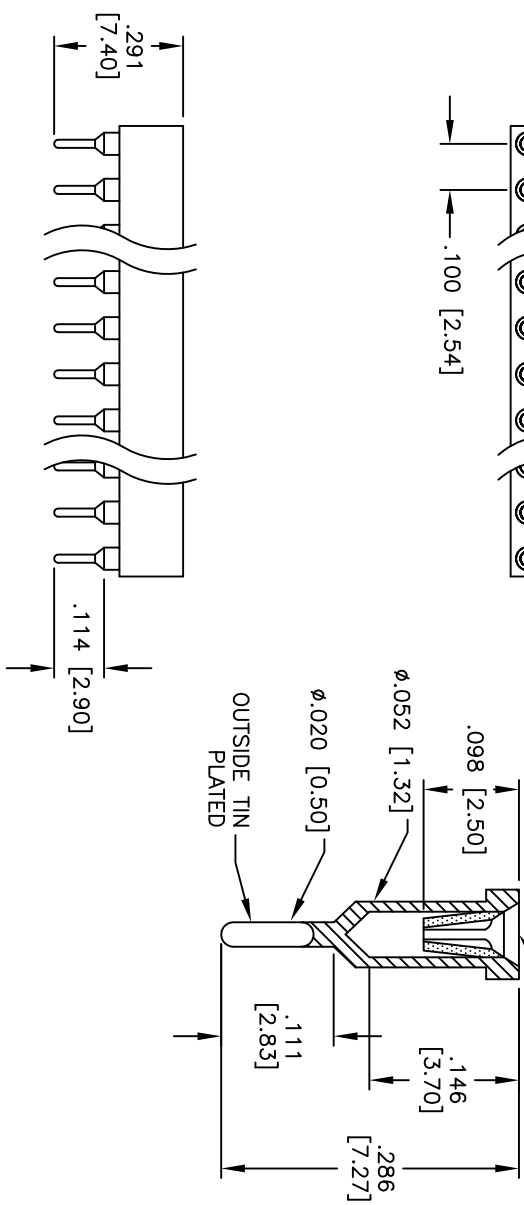
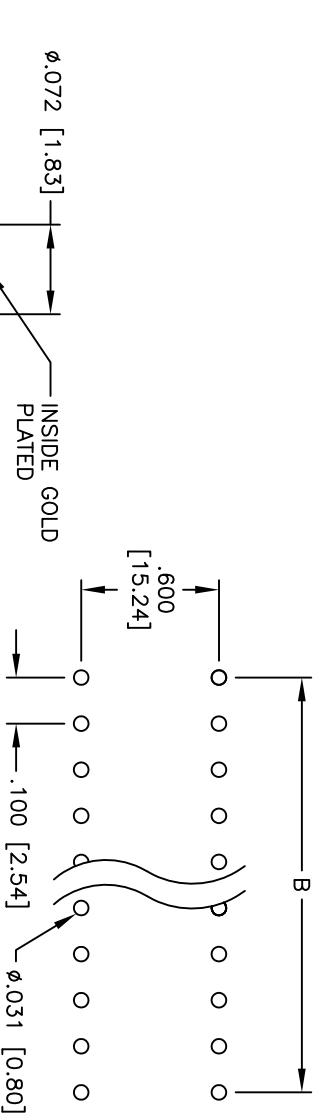
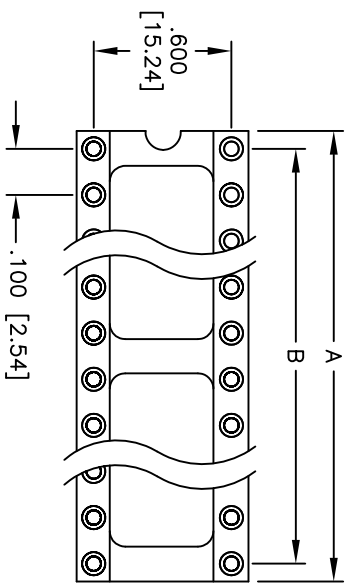


Rev	AWO #	Description	Date	Appr
-		RELEASED	3/30/05	

APPROVED: \_\_\_\_\_  
 DATE: \_\_\_\_\_ TITLE: \_\_\_\_\_



**SPECIFICATIONS:**

Material: Insulator: PBT, Glass reinforced, rated UL 94V-0  
 Insulator color: Black  
 Contacts: Phosphor Bronze  
 Plating: Gold over Nickel underplate inner contacts, Tin over Copper underplate overall outer sleeve  
 Electrical: Operating voltage: 250 VAC max  
 Current rating: 1 Amp max  
 Contact resistance: 30 mohms max initial  
 Insulation resistance: 1,000 Mohms min  
 Dielectric withstanding voltage: 500 VAC for 1 minute  
 Temperature Rating: Operating temperature: -55°C to +105°C  
 Environmental: Lead free, RoHS compliant  
 Recommended soldering temp: 235°C for 5 seconds

Positions: 24, 28, & 40  
 A = .100 [2.54] x No. of Positions per Row  
 B = .100 [2.54] x No. of Spaces per Row



**ADAM TECH**

909 Rahway Avenue, Union, NJ 07083  
 Phone: 908-687-5000 Fax: 908-687-5710

TITLE: SCREW MACHINE IC SOCKET  
 .600" ROW SPACING

UNLESS OTHERWISE SPECIFIED ALL DIMENSIONS ARE INCHES [MM]		TOLERANCES: EXCEPT AS NOTED	
.X	± .10	ØXX	± .10
.XX	± .020	ØXXX	± .015
.XXX	± .015	ØXXXX	± .010
APPROVALS		DATE	
DRAWN	SS	3/30/05	
CHECKED			
APPROVED			
SIZE	PART NO.	SCALE	REV.
X	ICM-6XX-1-GT	NTS	1
REF:		SHEET	1 OF 1