

Model NO.	LCCE-020■851	Model Name	Constant Current Power Supply
Part NO.	PLCCE0020■851	SIZE	134 * 42 * 33.1 mm 【5.28 * 1.65 * 1.3 inch】



FEATURES

- ◆ AC Input 90~305Vac
- ◆ Protection: SCP / OVP / OCP
- ◆ High Operating ambient Temp: -20°C ~ +60°C
- ◆ Power Factor:>0.95@115Vac;>0.9@230Vac;@full load
- ◆ Safety: TUV / CB
- ◆ EMC: CE
- ◆ Comply with Indoor/Outdoor Waterproof (IP 67)
- ◆ Dimension (L*W*H): 134 * 42 * 33.1 mm
- ◆ Dimension (L*W*H): 5.28 * 1.65 * 1.3 inch
- ◆ ROHS Compliant

Module : LCCE-020■851

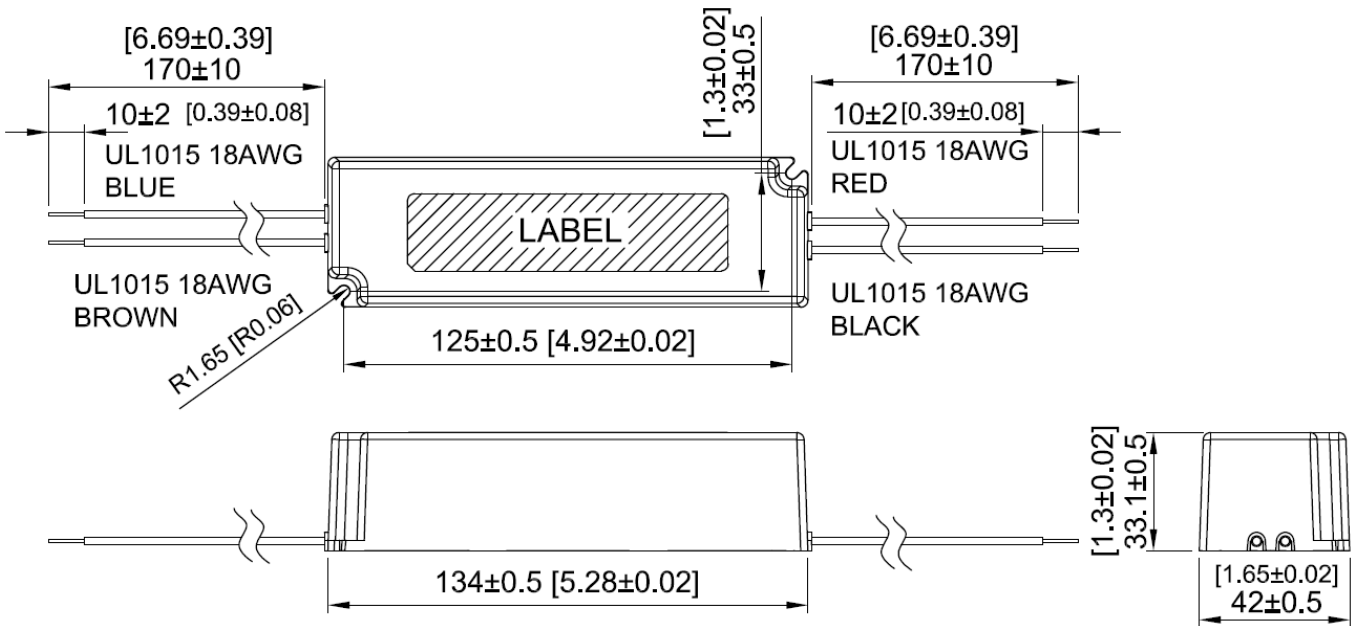
*,# =SEE NOTES BELOW

*(8)	MODEL	LCCE-020■851		
		min.	norm.	max.
	SPECIFICATION			
	DC OUTPUT VOLTAGE RANGE (V)	19		25
*	PRESET ACCURACY (%) *(7)		1	
*	OUTPUT CURRENT(A) *(5)		0.85	
*	O/P NOISE (P-P, V) *(3)			2
*	LINE REGULATION (%) *(6)		1	
	LOAD REGULATION (%)		1	
	DC OUTPUT POWER	21.25 W		
	EFFICIENCY(typ @Full Load)	84%		
	INPUT VOLTAGE RANGE	90-305VAC, 127-431VDC, Normal : 100-277VAC		
	INPUT FREQUENCY	Range:47-63Hz, Normal : 50-60Hz		
	ACTIVE POWER FACTOR	PF>0.95@115VAC , PF>0.9 @230VAC at full load and rated output voltage		
	INRUSH CURRENT (typ)	COLD START 10A @ 230VAC		
	AC CURRENT	0.4A/115VAC 0.2A/230VAC		
	LEAKAGE CURRENT	<0.7mA/240VAC		
	SHORT CIRCUIT PROTECTION	short circuit protection will restart automatically after the fault condition is removed		
	OVER CURRENT PROTECTION	Constant Current		
	OVER V, PROTECTION	Shut down and latch off o/p voltage , re-power on to recover		
*	OPERATING TEMP.*(4)	-20 to +60°C @full load		
	STORAGE TEMPERATURE	-40 to +80°C		
	RELATIVE HUMIDITY	10 to +90%, non-cond.		
	TEMP. COEFFICIENT	0.03% / °C (0-50°C, typ)		
	SAFETY	TUV EN61347-2-13 / CB		
	EMI	CE EN55015		
	DIMENSIONS(L*W*H)	134 * 42 * 33.1 mm 【5.28 * 1.65 * 1.3 inch】		

NOTES : (1)All parameters not specially mentioned are measured 230VAC input.
 (2)All specifications Typical @25°C, unless otherwise noted, at normal line and load.
 (3)Ripple and Noise measured directly at pins/terminals at nom. load, 0.1uF bypass and 47uF electrolytic, pk-pk @20MHz bandwidth.
 (4)Specified for free-air convection cooling.
 (5)Minimum load is NOT required for proper operation .
 (6)Line regulation measured from 100VAC to 277VAC.
 (7)Preset accuracy measured at normal load, 120VAC input.
 (8)100% Production Tested.

Model NO.	LCCE-020■851	Model Name	Constant Current Power Supply
Part NO.	PLCCE0020■851	SIZE	134 * 42 * 33.1 mm 【5.28 * 1.65 * 1.3 inch】

Dimensions



Unit : mm 【inch】

※Reference

www.linkcom.com.tw For more information, please contact with :sales@linkcom.com.tw