

CompactPCI® Power Connector

Product Offering - Sockets

Introduction

Winchester 47-position CompactPCI® Power sockets are offered in two plating finishes - 30 microinches of gold to meet 250 mating cycles per the PICMG® specification and 10 microinches of gold for a lower cost alternative. Optional mounting screws are available if applications require connectors to be physically secured to the board. Our socket connectors have the added versatility of both solder and press-fit contact terminations. Press-fit terminations are available to fit both 0.080" and 0.064" plated through-holes.



Ordering Information

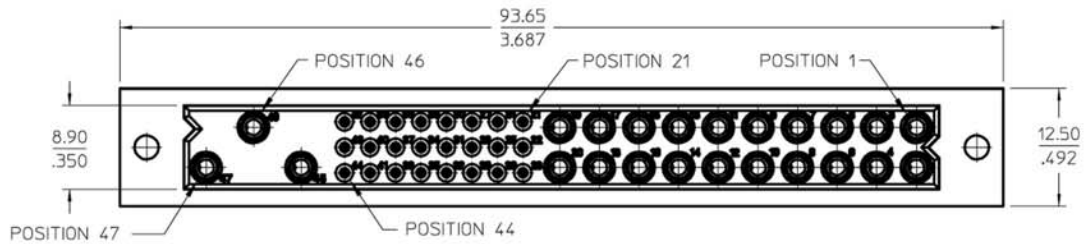
Part Number	Description	Termination	Plating Finish
CPCI47S41A104	Female Vertical Socket, Fully Loaded for .080" Plated Through-hole	Press-fit	10 μ " Gold over Nickel
CPCI47S41B104	Female Vertical Socket, Fully Loaded for .080" Plated Through-hole	Press-fit	30 μ " Gold over Nickel
CPCI47S42D104	Female Vertical Socket, Fully Loaded for .064" Plated Through-hole	Solder	10 μ " Gold over Nickel
CPCI47S42C104	Female Vertical Socket, Fully Loaded for .064" Plated Through-hole	Solder	30 μ " Gold over Nickel
CPCI47S43A104	Female Vertical Socket, Fully Loaded for .064" Plated Through-hole	Press-fit	10 μ " Gold over Nickel
CPCI47S43B104	Female Vertical Socket, Fully Loaded for .064" Plated Through-hole	Press-fit	30 μ " Gold over Nickel
26464-01	Optional M3 Mounting Screw		

Winchester Electronics

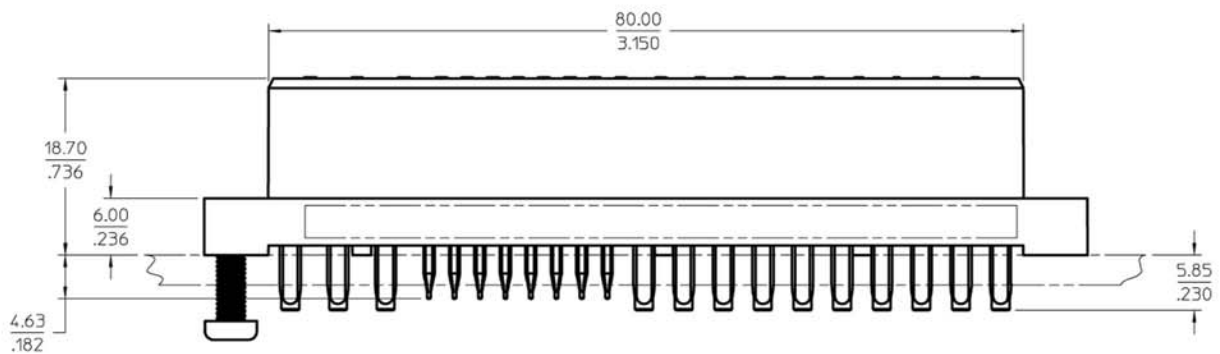
CompactPCI® Power Connector

Sockets

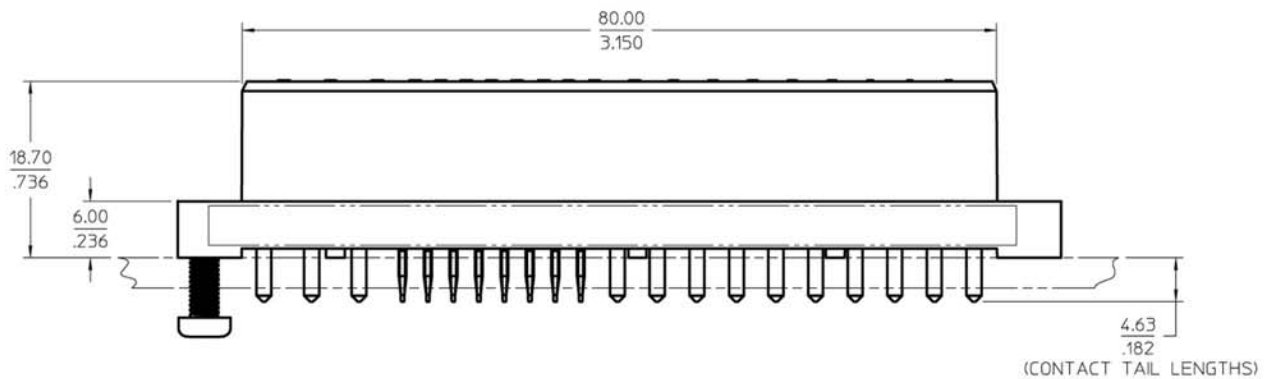
Top View



Side View - Compliant Termination



Side View - Solder Termination



millimeters

Note: Dimensions are shown in inches. Dimensions shown for reference purposes only. Consult Winchester customer drawings for detailed specifications.

Winchester Electronics

62 Barnes Industrial Road North • PO Box 5008 • Wallingford, CT 06492
Phone: 203-741-5400 • Fax: 203-741-5500 • Internet: <http://www.winchesterelectronics.com>

CPCI Power - 9