

80mm sq.

San Ace 80WF

25mm thick



General Specifications

- Material: Frame: Plastics (Flammability: UL94V-0), Impeller: Plastics (Flammability: UL94V-0)
- Expected Life: Refer to specifications (L10:Survival rate: 90% at 60°C, rated voltage, and continuously run in a free air state)
- Lead Wire: ⊕red ⊖black (Sensor) yellow
- Storage Temperature: -30°C to +70°C (Non-condensing)

The product can be used in an oil mist environment*

*Environment where machining oil mist is scattered.
Usage of this product requires an evaluation with the oil that will be used.

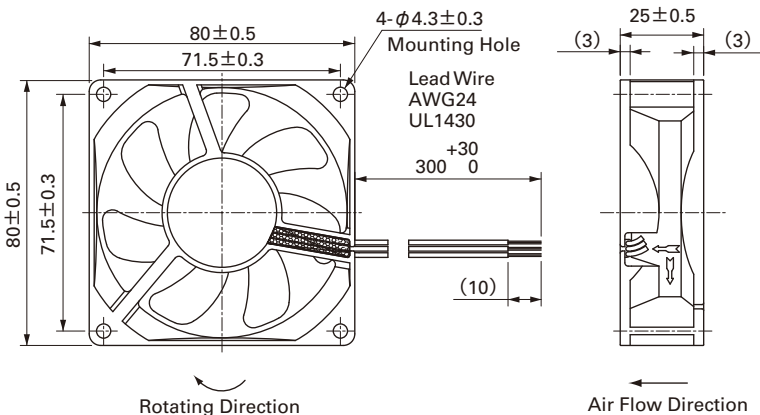
80×80×25mm (Mass : 130g) IP55 Dust resistant device with protection against water jets

Specifications The following nos. have pulse sensors and ribs.

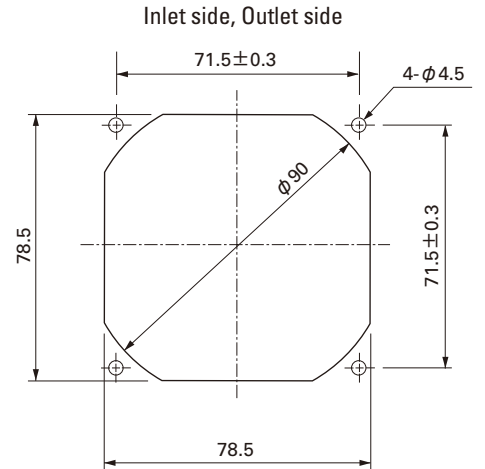
Model No.	Rated Voltage [V]	Operating Voltage Range [V]	Rated Current [A]	Rated Input [W]	Rated Speed [min ⁻¹]	Max. Air Flow [m ³ /min] [CFM]	Max. Static Pressure [Pa] [inchH ₂ O]	SPL [dB(A)]	Operating Temperature [°C]	Expected Life [h]
9WF0824S401	24	20.4 to 27.6	0.16	3.84	4,000	1.2 42.4	58 0.23	38	-10 to +70	40,000

- Available options: ⇒ Without Sensor
- Please inquire as the availability of these functions depend on the model. ⇒ Lock Sensor

Dimensions (Unit : mm)



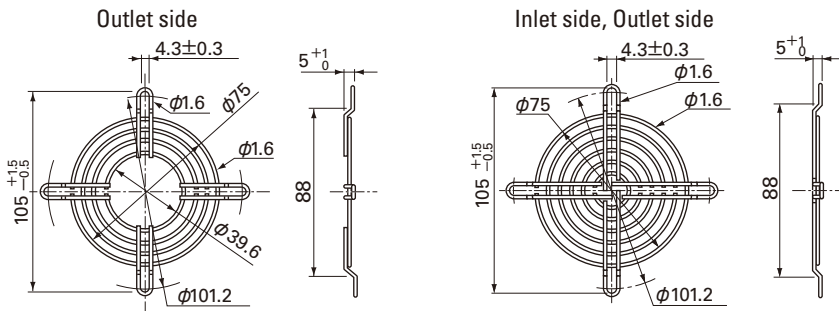
Reference dimension of mounting holes and vent opening (Unit : mm)



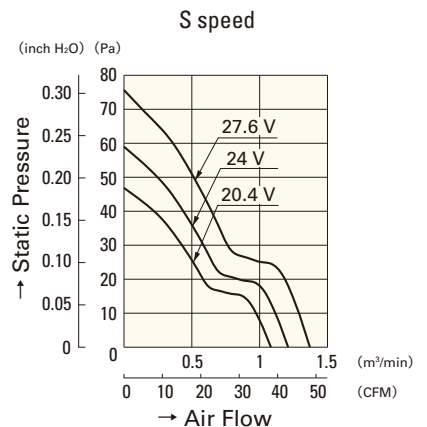
Options (Unit : mm)

Finger guards

Model : 109-049C Surface treatment : Nickel-chrome plating (silver) Color : Silver
Model : 109-049E Surface treatment : Nickel-chrome plating (silver) Color : Silver
Model : 109-049H Surface treatment : Cation electropainting (black) Color : Black



Air Flow - Static Pressure Characteristics



9WF0824S401