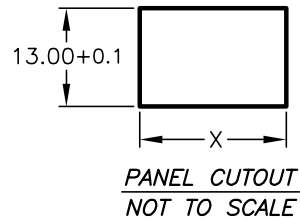
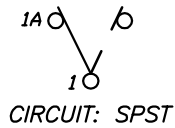


| PANEL THICKNESS       | X dimension             |
|-----------------------|-------------------------|
| 0.75-1.25 [.030-.049] | 19.2- <i>0.1</i> [.756] |
| 1.25-2.0 [.049-.079]  | 19.4- <i>0.1</i> [.764] |
| 2.0-3.0 [.079-.118]   | 19.8- <i>0.1</i> [.780] |

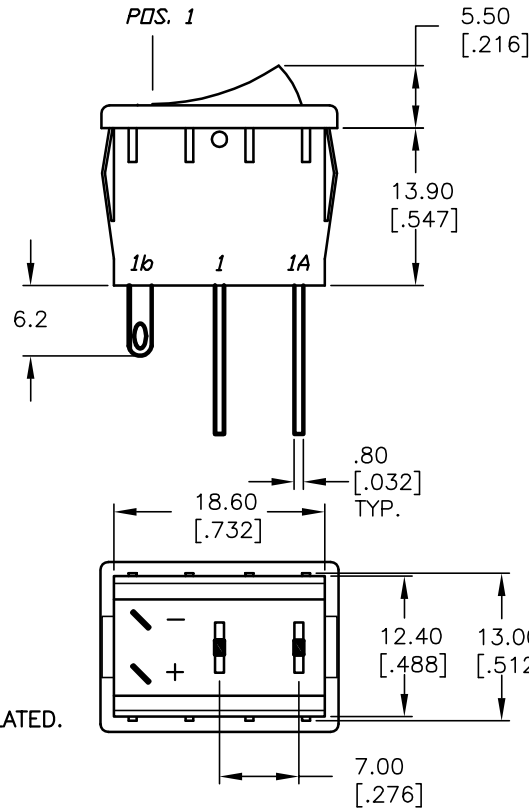
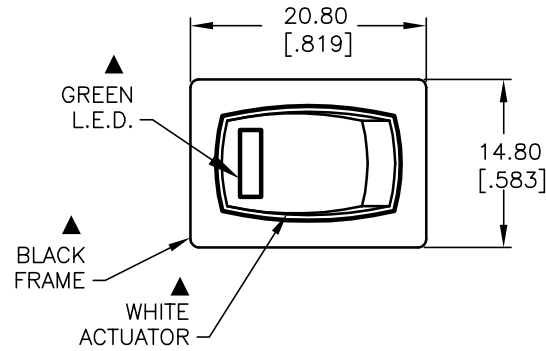


| SWITCH FUNCTION |        |
|-----------------|--------|
| POS. 1          | POS. 2 |
| ON              | OFF    |
| 1-1a            | OPEN   |



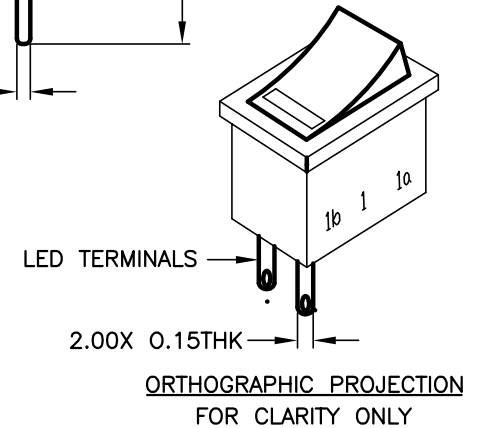
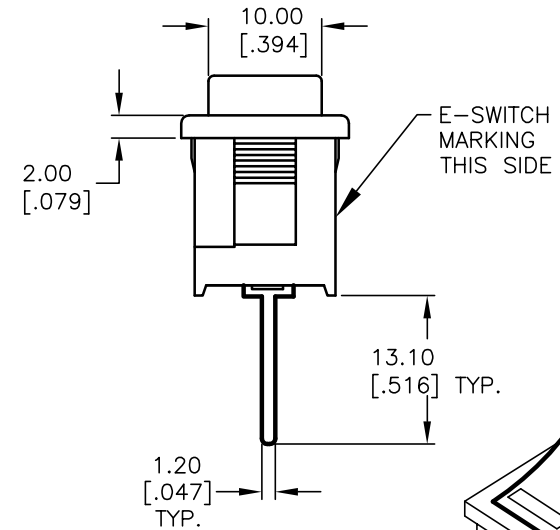
NOTES:

1. ALL DIMENSIONS IN MM [INCH]
2. GENERAL TOLERANCE: X.X=±0.4  
X.XX=±0.25
3. TERMINAL NUMBERS FOR REF ONLY
4. RATING: 15A @ 125VAC OR 6A @ 250VAC
5. MATERIALS: (TERMINALS) SILVER PLATED COPPER  
(CONTACTS) COIN SILVER, SILVER PLATED.
6. CONTACT RESISTANCE: <20 Mega
7. ELECTRICAL LIFE: 10,000 cycles
8. INSULATION RESISTANCE: >1000 Mega
9. DIELECTRIC STRENGTH: >1500V 1 minute  
>3000V between Poles
10. OPERATING TEMP. RANGE: -25°C to +85°C



GREEN L.E.D

| PARAMETERS           | SYMBOL          | MAX. | TYP. | UNITS |
|----------------------|-----------------|------|------|-------|
| POWER DISSIPATION    | P <sub>D</sub>  | 80   |      | mW    |
| AVE FORWARD CURRENT  | I <sub>AF</sub> | --   |      | mA    |
| PEAK FORWARD CURRENT | I <sub>PF</sub> | 100  |      | mA    |
| REVERSE VOLTAGE      | V <sub>R</sub>  | 5    |      | V     |
| FORWARD VOLTAGE      | V <sub>F</sub>  | 2.6  | 2    | V     |
| REVERSE CURRENT      | I <sub>R</sub>  |      | 100  | μA    |
| EMISSION WAVELENGTH  | λ <sub>P</sub>  |      | 570  | nm    |
| LUMINOUS INTENSITY   | I <sub>V</sub>  |      | 30   | mcd   |



**E-SWITCH®**

TITLE

R1966ABLKWHTEPGRN

|      |         |                         |          |      |
|------|---------|-------------------------|----------|------|
| A    | 14581   | RELEASED FOR PRODUCTION | 12/16/04 | AR   |
| REV. | ECN No. | DESCRIPTION             | DATE     | CHKD |

SCALE

1.5:1

DATE

12/16/04

DR

AR

DWG

M301153

REV

A

THE INFORMATION CONTAINED IN THIS DOCUMENT  
IS PROPRIETARY TO E-SWITCH AND IS  
NOT TO BE COPIED OR TRANSFERRED