

# PRESSURE TRANSMITTER

DATA SHEET

FHG...4

The FCX-AIIe pressure transmitter accurately measures gauge pressure and transmits a proportional 4 to 20mA signal.

The transmitter utilizes a unique micromachined capacitance silicon sensor with state-of-the-art microprocessor technology to provide exceptional performance and functionality.

## FEATURES

### 1. High accuracy $\pm 0.1\%$

0.1% accuracy is a standard feature. Fuji's micro-capacitance silicon sensor assures this accuracy for all elevated or suppressed calibration ranges without additional adjustment.

### 2. Minimum environmental influence

The "Advance Floating Cell" design which protects the pressure sensor against changes in temperature, and overpressure substantially reduces total measurement error in actual field applications.

### 3. Fuji/HART® bilingual communications protocol

FCX-AIIe series transmitter offers bilingual communications to speak both Fuji proprietary protocol and HART®. Any HART® compatible devices can communicate with FCX-AIIe.

### 4. Application flexibility

Various options that render the FCX-AIIe suitable for almost any process applications include:

- Analog indicator at either the electronics side or terminal side
- Full range of hazardous area approvals
- Built-in RFI filter and lightning arrester
- 5-digit LCD meter with engineering unit

### 5. Burnout current flexibility (Under Scale: 3.2 to 3.8mA, Over Scale: 20.8 to 21.6mA)

Burnout signal level is adjustable using Model FXW Hand Held Communicator (HHC) to comply with NAMUR NE43.

### 6. Dry calibration without reference pressure

Thanks to the best combination of unique construction of mechanical parts (Sensor unit) and high performance electronics circuit (Electronics unit), reliability of dry calibration without reference pressure is at equal level as wet calibration.



## SPECIFICATIONS

### Functional specifications

**Service:** Liquid, gas, or vapour

**Span, range and overrange limit:**

Type	Span limit [kPa] {bar}		Range limit [kPa] {bar}		Overrange limit [MPa] {bar}
	Min.	Max.	Lower limit	Upper limit	
FHG□02	16.66 {0.16}	500 {5}	-100 {-1}	500 {5}	1.5 {15}
FHG□03	100 {1}	3000 {30}	-100 {-1}	3000 {30}	9 {90}
FHG□04	333.3 {3.33}	10000 {100}	-100 {-1}	10000 {100}	15 {150}

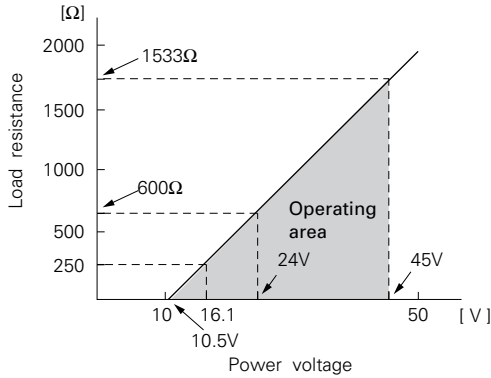
- Lower range limit (vacuum limit) ;  
Silicone fill sensor: See Fig. 1  
Fluorinated fill sensor: 66kPa abs (500mmHg abs) at below 60°C

- Conversion factors to different units;  
1 MPa=10<sup>3</sup> kPa=10bar=10.19716kgf/cm<sup>2</sup>= 145.0377psi  
1 kPa=10mbar=101.9716mmH<sub>2</sub>O =4.01463inH<sub>2</sub>O

**Output signal:** 4 to 20mA DC with digital signal superimposed on the 4 to 20mA signal.

**Power supply:** Transmitter operates on 10.5V to 45V DC at transmitter terminals.  
10.5V to 32V DC for the units with optional arrester.

Load limitations: see figure below



Note: For communication with HHC<sup>(1)</sup> (Model: FXW), min. of 250 Ω required.

**Hazardous locations:**

Authorities	Flameproof	Intrinsic safety	Type n Nonincendive
Factory Mutual	Class I II III Div. 1	Class I II III Div. 1	Class I II III Div. 2
CSA	Groups B thru. G Class I II III Div. 1	Groups A thru. F Class I II III Div. 1	Groups A thru. G Class I II III Div. 2
TIIS	Groups C thru. G Ex do IIB+H <sub>2</sub> T4	Groups A thru. G Ex ia II C T4 (*)	Groups A thru. G —

(\*) Approval pending

**Zero/span adjustment:**

Zero and span are adjustable from the HHC<sup>(1)</sup>. Zero and span are also adjustable externally from the adjustment screw (span adjustment is not available with 9th digit code "L, P, Q, S").

**Damping:**

Adjustable from HHC or local adjustment unit with LCD display. The time constant is adjustable between 0.12 to 32 seconds.

**Zero elevation/suppression:**

Zero can be elevated or suppressed within the specified range limit of each sensor model.

**Normal/reverse action:**

Selectable from HHC<sup>(1)</sup>.

**Indication:**

Analog indicator or 5-digit LCD meter, as specified.

**Burnout direction:** Selectable from HHC<sup>(1)</sup>

If self-diagnostic detect transmitter failure, the analog signal will be driven to either "Output Hold", "Output Overscale" or "Output Underscale" modes.

**"Output Hold":**

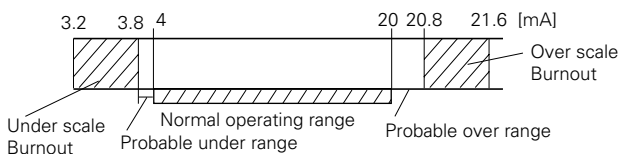
Output signal is hold as the value just before failure happens.

**"Output Overscale":**

Adjustable within the range 20.8mA to 21.6mA from HHC<sup>(1)</sup>

**"Output Underscale":**

Adjustable within the range 3.2mA to 3.8mA from HHC



(Note) (1) HHC: Hand Held Communicator

**Loop-check output:**

Transmitter can be configured to provide constant signal 3.8mA through 21.6mA by HHC.

**Temperature limit:**

Ambient: -40 to +85°C  
 (-20 to +80°C for LCD indicator)  
 (-40 to +60°C for arrester option)  
 (-10 to +60°C for fluorinated oil fill transmitter)  
 For explosionproof units (flameproof or intrinsic safety), ambient temperature must be within the limits specified by each standard.

Process: -40 to +100°C for silicone fill sensor  
 -20 to +80°C for fluorinated oil fill sensor

Storage: -40 to +90°C

**Humidity limit:** 0 to 100% RH

**Communication:** With HHC<sup>(1)</sup> (Model FXW, consult Data Sheet No. EDS8-47), following information can be remotely displayed or reconfigured.

Note: HHC's version must be more than 6.0 (or FXW □□□□1-□3), for FCX-A II.

Items	Display	Set
Tag No.	✓	✓
Model No.	✓	✓
Serial No.	✓	—
Engineering unit	✓	✓
Range limit	✓	—
Measuring range	✓	✓
Damping	✓	✓
Output mode	✓	—
Burnout direction	✓	✓
Calibration	✓	✓
Output adjust	—	✓
Data	✓	—
Self diagnoses	✓	—
Printer	—	—
External switch lock	✓	✓
Transmitter display	✓	✓
Linearize	✓	✓
Rerange	✓	✓

## Performance specifications

Reference conditions, silicone oil fill, 316SS isolating diaphragms, 4 to 20mA analog output in linear mode.

**Accuracy rating:** (including linearity, hysteresis, and repeatability)

For spans greater than 1/10 of URL:  $\pm 0.1\%$  of span

For spans below 1/10 of URL:

$$\pm \left( 0.05 + 0.05 \frac{0.1 \times \text{URL}}{\text{Span}} \right) \% \text{ of span}$$

**Stability:**  $\pm 0.2\%$  of upper range limit (URL) for 6 month.

**Temperature effect:**

Effects per 28°C change between the limits of -40°C and +85°C

$$\text{Zero shift: } \pm \left( 0.1 + 0.025 \frac{\text{URL}}{\text{span}} \right) \%$$

$$\text{Total effect: } \pm \left( 0.125 + 0.025 \frac{\text{URL}}{\text{span}} \right) \%$$

**Overrange effect:** Zero shift; 0.3% of URL for any overrange to maximum limit

**Supply voltage effect:**

Less than 0.005% of calibrated span per 1V

**RFI effect:** Less than 0.2% of URL for the frequencies of 20 to 1000MHz and field strength 30 V/m when electronics covers on. (Classification: 2-abc: 0.2% span per SAMA PMC 33.1)

**Step response:** Time constant: 0.2s

Dead time: approximately 0.2s (without electrical damping)

**Mounting position effect:**

Zero shift, less than 0.1kPa (1m bar) for a 10° tilt in any plane.

No effect on span. This error can be corrected by adjusting Zero.

**Dielectric strength:**

500V AC, 50/60Hz 1 min., between circuit and earth.

**Insulation resistance:**

More than 100MΩ at 500V DC.

**Turn-on time:** 4 sec.

**Internal resistance for external field indicator:**

12Ω or less

## Physical specifications

**Electrical connections:**

G1/2, 1/2-14 NPT, Pg13.5, or M20 × 1.5 conduit, as specified.

1-port (standard), as specified.

**Process connections:**

1/4-18 NPT or Rc1/4 on 54mm centers, as specified.

Meet DIN 19213

**Process-wetted parts material:**

Material code (7th digit in Code symbols)	Process cover	Diaphragm	Wetted sensor body	Vent/drain
V	316 stainless steel(*1)	316L stainless steel	316 stainless steel	316 stainless steel

Note: \*(1) SCS14 per JIS G 5121

Remark: Sensor O-rings: Viton O-ring and teflon gasket selectable

**Non-wetted parts material:**

Electronics housing: Low copper die-cast aluminum alloy finished with epoxy/polyurethane double coating.

Bolts and nuts: Cr-Mo alloy (standard), or 304 stainless steel (630 stainless steel for 50MPa unit).

Fill fluid: Silicone oil (standard) or fluorinated oil

Mounting bracket: 304 stainless steel

**Environmental protection:**

IEC IP67

**Mounting:**

On 60.5mm (JIS 50A) pipe using mounting bracket, direct wall mounting, or direct process mounting.

**Mass {weight}:**

Transmitter approximately 3.4kg without options.

Add; 0.5kg for mounting bracket  
0.8kg for indicator option

## Optional features

**Indicator:** A plug-in analog indicator (1.5% accuracy) can be housed in the electronics compartment or in the terminal box of the housing.

An optional 5-digit LCD meter with engineering unit is also available.

**Local adjustment unit with LCD display:**

An optional 5-digit LCD meter with Zero/ Span adjustment function, loop-check function and damping adjustment function, is available.

**Arrester:** A built-in arrester protects the electronics from lightning surges.

Lightning surge immunity:  
4kV (1.2 × 50μs)

**Oxygen service:** Special cleaning procedures are followed throughout the process to maintain all process wetted parts oil-free.

The fill fluid is fluorinated oil.

**Chlorine service:** The fill fluid is fluorinated oil.

**Degreasing:** Process-wetted parts are cleaned, but the fill fluid is standard silicone oil. Not for use on oxygen or chlorine measurement.

**NACE specification:**

Metallic materials for all pressure boundary parts comply with NACE MR-01-75. ASTM B7M or L7M bolts and 2HM nuts (Class II) are available.

**Optional tag plate:**

An extra stainless steel tag with customer tag data is wired to the transmitter.

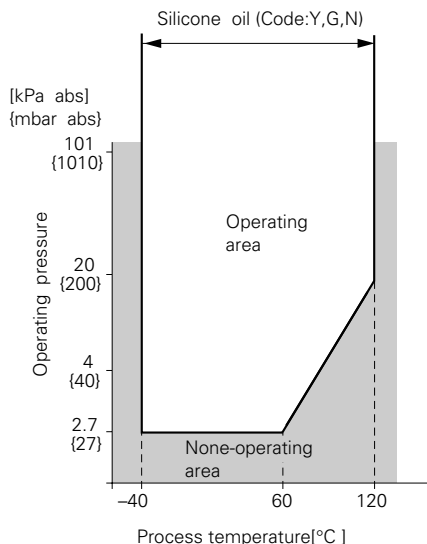


Fig. 1 Relation between process temperature and operating pressure

## ACCESSORIES

**Oval flanges:** (Model FFP, refer to Data Sheet No. EDS6-10)

Converts process connection to 1/2-14 NPT or to Rc1/2; in carbon steel or in 316 stainless steel.

**Hand-held communicator:**

(Model FXW, refer to Data Sheet No. EDS8-47)

**Z/S board:**

Parts No.=ZZPFCX4-A070

When Z/S board is mounted on the FCX-AII amplifier unit, external adjustment screw will be available for zero and span adjustment.

**The product conforms to the requirements of the Electromagnetic compatibility Directive 94/9/EC as detailed within the technical construction file number TN513035.**

**The applicable standards used to demonstrate compliance are :**

**EMI (Emission) EN61326 : 1997**  
**Class A (standard for Industrial Location)**

Frequency range MHz	Limits	Reference standard
30 to 230	40dB (μV/m) quasi peak, measured at 10m distance	CISPR16-1 and CISPR16-2
230 to 1000	47dB (μV/m) quasi peak, measured at 10m distance	

**EMI (Immunity) EN61326: 1997**  
**Annex A (standard for Industrial Location)**

Phenomenon	Test value	Basic standard	Performance criteria
Electrostatic discharge	4kV (Contact) 8kV (Air)	IEC61000-4-2	B
Electromagnetic field	80 to 1000MHz 10V/m 80%AM (1kHz)	IEC61000-4-3	A
Rated power frequency magnetic field	30A/m 50Hz	IEC61000-4-8	A
Burst	2kV 5kHz	IEC61000-4-4	B
Surge	1.2μs/50μs 1kV (Line to line) 2kV (Line to ground)	IEC61000-4-5	B
Conducted RF	0.15 to 80MHz 3V 80%AM (1kHz)	IEC61000-4-6	A

**Note) Definition of performance criteria**

**A: During testing, normal performance within the specification limits.**

**B: During testing, temporary degradation, or loss of function or performance which is self-recovering.**

## ORDERING INFORMATION

When ordering this instrument, specify.

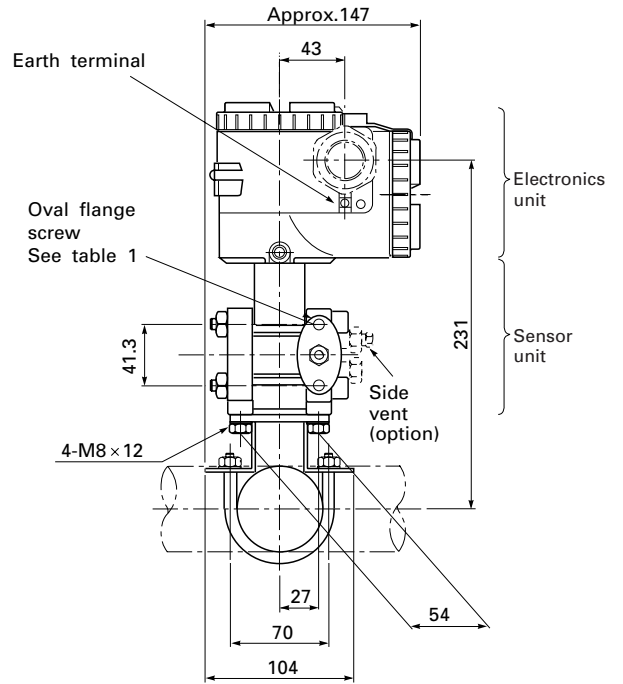
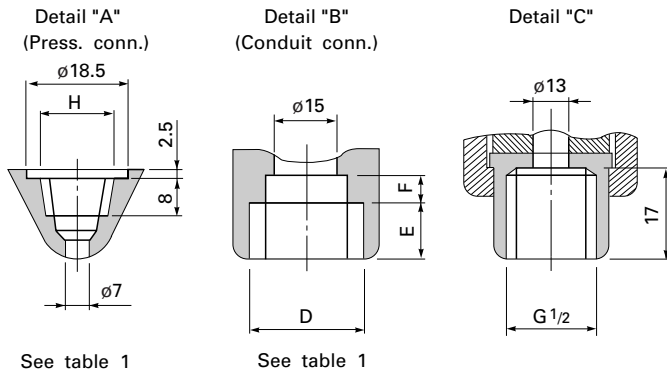
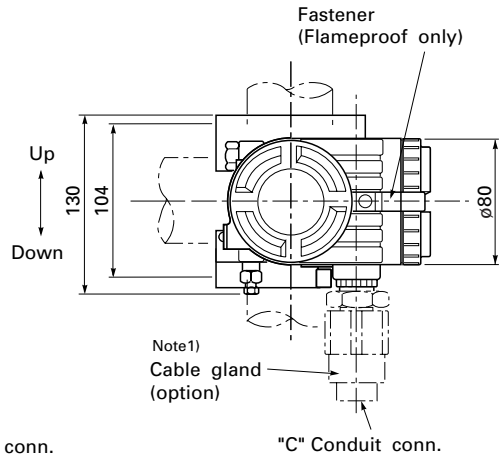
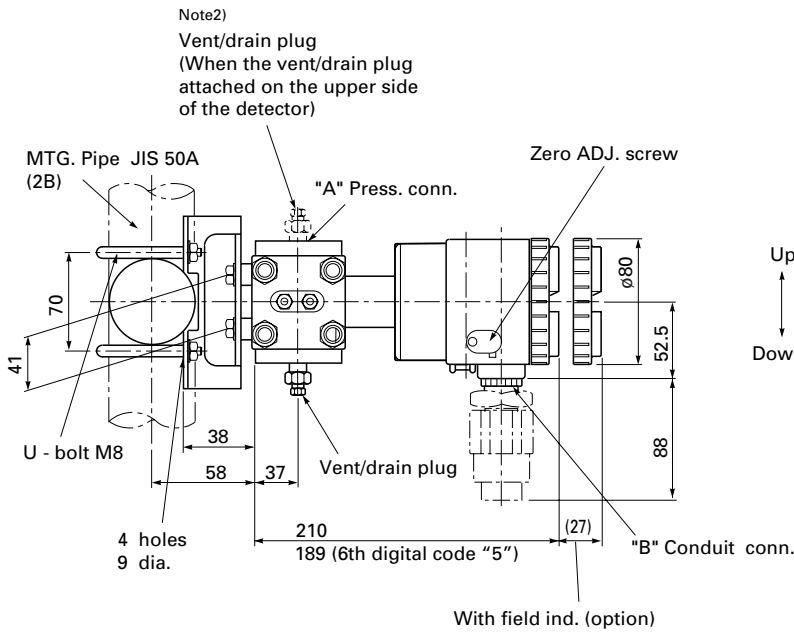
1. CODE SYMBOLS
2. Measuring range
3. Output orientation (burnout direction) when abnormality is occurred in the transmitter.  
Hold/Overscale (21.6mA)/Overscale (3.2mA)  
Unless otherwise specified, output hold function is supplied.
4. Indication method (indicated value and unit) in case of the actual scale (code D,H,P,S on 9th digit).
5. Tag No.(up to 26 alphanumeric characters), if required.

# CODE SYMBOLS

Digit	Description			Note	1	2	3	4	5	6	7	8	9	10	11	12	13	14	15	← Digit No. of code
					F	H	G	0				4								
4	<Connections>																			
	Process connection	Oval flange screw	Conduit connection																	
	Rc1/4	7/16-20UNF	G1/2 (×1)																	
	1/4-18NPT	7/16-20UNF	1/2-14NPT (×1)																	
	1/4-18NPT	M10	Pg13.5 (×1)																	
1/4-18NPT	M10	M20×1.5 (×1)																		
1/4-18NPT	7/16-20UNF	Pg13.5 (×1)																		
6, 7	<Span and materials>																			
	Span limit [kPa]{bar}	Process cover	Diaphragm	Wetted cell body																
	16.66...500 {0.16...5}	316 stainless steel	316L stainless steel	316 stainless steel							2V									
	100...3000 {1...30}	316 stainless steel	316L stainless steel	316 stainless steel							3V									
333.3...10000 {3.33...100}	316 stainless steel	316L stainless steel	316 stainless steel							4V										
9	<Indicator and arrester>																			
	Indicator		Arrester																	
	None		None	Z/S board attached.																
	Analog, 0 to 100% linear scale		None	Approval																
	Analog, custom scale		None	Approval																
	None		Yes	pending for 10th digit code "G, H, J"																
	Analog, 0 to 100% linear scale		Yes	10th digit code "G, H, J"																
	Analog, custom scale		Yes	10th digit code "G, H, J"																
	Digital, 0 to 100%		None																	
	Digital, custom scale		None																	
	Digital, 0 to 100%		Yes																	
	Digital, custom scale		Yes																	
	Digital, 0 to 100% (Local adjustment unit with LCD display)		None	Approval pending for 10th digit code "D, E, G, H, J"																
Digital, custom scale (Local adjustment unit with LCD display)		None	Approval pending for 10th digit code "D, E, G, H, J"																	
Digital, 0 to 100% (Local adjustment unit with LCD display)		Yes	Approval pending for 10th digit code "D, E, G, H, J"																	
Digital, custom scale (Local adjustment unit with LCD display)		Yes	Approval pending for 10th digit code "D, E, G, H, J"																	
10	<Approvals for hazardous locations>																			
	None (for ordinary locations)																			
	TIIS, Flameproof (Conduit seal)		(Available for 4th digit code "A")																	
	TIIS, Flameproof (Cable gland seal)		(Available for 4th digit code "A")																	
	FM, Flameproof (or explosion proof)		(Available for 4th digit code "B")																	
11	CSA Flameproof (or explosion proof) (Available for 4th digit code "B")																			
	TIIS, Intrinsic safety (Approval pending)																			
	FM, Intrinsic safety and Nonincendive																			
	CSA Intrinsic safety and Nonincendive																			
12	<Vent/ drain and mounting bracket>																			
	Vent/drain	Mounting bracket																		
	Standard	None																		
	Standard	Yes, stainless steel																		
	Side	None																		
Side	Yes, stainless steel																			
	<Options>																			
	Extra SS tag plate	Stainless steel elec. housing	Coating of cell	Note 1																
	None	None	None																	
	Yes } (*1)	None	None																	
None	None	Yes																		
Yes	None	Yes																		
13	<Special applications and fill fluid>																			
	Treatment	Fill fluid																		
	Standard	Silicone oil																		
	Degreasing	Silicone oil																		
Oxygen service	Fluorinated oil (7th digit code "V" only)																			
NACE specification	Silicone oil (Not available for 15th digit code "A", "B")																			
14	<Sensor O-ring / Gasket>																			
	Viton (O-ring)																			
	Teflon (gasket)																			
15	<Bolt/nut>																			
	Cr-Mo alloy hexagon socket head cap screw/carbon steel nut																			
	Cr-Mo alloy hexagon bolt/nut																			
	NACE bolt/nut (ASTM A193 B7M/A194 2HM)																			
	NACE bolt/nut (ASTM A320 L7M/A194 2HM)																			
304 stainless steel bolt/304 stainless steel nut																				

Note 1: (\*1) Customer tag number can be engraved on standard stainless steel name plate. If extra tag plate is required, select "Yes".

# OUTLINE DIAGRAM (Unit:mm)



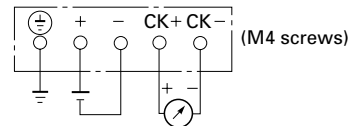
4th digit of the code symbols	Conduit conn.			Press.conn.	Oval flange screw
	D	E	F	H	
A	G $\frac{1}{2}$	17	8	Rc $\frac{1}{4}$	$\frac{7}{16}$ -20UNF Screw depth15
B	$\frac{1}{2}$ -14NPT	16	5	$\frac{1}{4}$ -18NPT	$\frac{7}{16}$ -20UNF Screw depth15
C	Pg13.5	8	4.5	$\frac{1}{4}$ -18NPT	M10 Screw depth15
D	M20 x 1.5	16	5	$\frac{1}{4}$ -18NPT	M10 Screw depth15
E	Pg13.5	8	4.5	$\frac{1}{4}$ -18NPT	$\frac{7}{16}$ -20UNF Screw depth15

Table 1

Note1) Cable gland is supplied in case of 10th digit code "C".  
 $\phi$ 11 cable is suitable.

Note2) The pressure connector is located on the down side surface of the detector, when the vent / drainplug is attached on the upper side of the detector

## CONNECTION DIAGRAM



### ⚠ Caution on Safety

\*Before using this product, be sure to read its instruction manual in advance.

## Fuji Electric Systems Co., Ltd.

### Head Office

6-17, Sanbancho, Chiyoda-ku, Tokyo 102-0075, Japan  
<http://www.fesys.co.jp/eng>

### Sales Div.

### International Sales Dept.

No.1, Fuji-machi, Hino-city, Tokyo, 191-8502 Japan  
Phone: 81-42-585-6201, 6202 Fax: 81-42-585-6187  
<http://www.fic-net.jp/eng>