

DESCRIPTION

The IF-E96-R is the replacement for the now obsolete Motorola MFOE76 fiber optic LED in Industrial Fiber Optics' family of low-cost devices. Each LED consists of a polycarbonate (PC) housing, an internal active element such as an LED sub-component, and a cinch nut to hold the fiber in place. The PC housing retains the active element and the cinch nut while optimizing coupling between the active element and the jacketed 1000 μm plastic fiber.

The IF-E96-R fiber optic emitter contains a red LED with an output center spectral wavelength of 660 nm. The red LED output is one of the optimal transmission windows of PMMA fiber and has the advantage of being easier to troubleshoot.

Working with this family of fiber optics is simple: No special tools or training required. Only a sharp knife or razor blade is needed to terminate the plastic fiber. When the fiber is inserted in the LED or detector housing, tighten the cinch nut. Thereafter, the fiber can be removed simply by loosening the nut.

APPLICATIONS

- ▶ Household Appliances
- ▶ Motor Controller Triggering
- ▶ PC-to-Peripheral Links
- ▶ Medical Instruments
- ▶ Automotive Electronics
- ▶ Audio Systems
- ▶ Electronic Games
- ▶ Robotics Communications

FEATURES

- ◆ No Optical Design Required
- ◆ Mates with Standard 1000 μm Core Jacketed Plastic Fiber Cable
- ◆ Internal Micro-Lens for Efficient Coupling
- ◆ Inexpensive Plastic Connector Housing
- ◆ Connector-Less Fiber Termination and Connection
- ◆ Interference-Free Transmission from Light-Tight Housing
- ◆ Excellent Linearity
- ◆ Visible Light Output

MAXIMUM RATINGS

($T_A = 25^\circ\text{C}$)

Operating and Storage Temperature Range (T_{OP}, T_{STG})	-40° to 85°C
Junction Temperature (T_J)	85°C
Soldering Temperature (2 mm from case bottom) (T_S) $t \leq 5$ s	240°C
Reverse Voltage (V_R)	5 V
Power Dissipation (P_{TOT}) $T_A = 25^\circ\text{C}$	60 mW
De-rate Above 25°C	1.1 mW/°C
Forward Current, DC (I_F)	35 mA
Surge Current (I_{FSM}) $t \leq 10 \mu\text{s}$	150 mA

CHARACTERISTICS ($T_A = 25^\circ\text{C}$)

Parameter	Symbol	IF-E96-R	Unit
Peak Wavelength	λ_{PEAK}	660	nm
Spectral Bandwidth (50% of I_{MAX})	$\Delta\lambda$	20	nm
Output Power Coupled into Plastic Fiber (1 mm core diameter). Distance Lens to Fiber ≤ 0.1 mm, 10 cm polished fiber, $I_F = 20$ mA	Φ_{min}	>50 -13	μW dBm
Switching Times (10% to 90% and 90% to 10%) ($R_L = 47 \Omega$, $I_F = 10$ mA)	t_r, t_f	.1	μs
Capacitance ($V_F = 0$, $F = 1$ MHz)	C_0	30	pF
Forward Voltage ($I_F = 50$ mA)	V_f	1.8 max	V
Temperature Coefficient, λ_{PEAK}	TC_λ	.2	nm/K

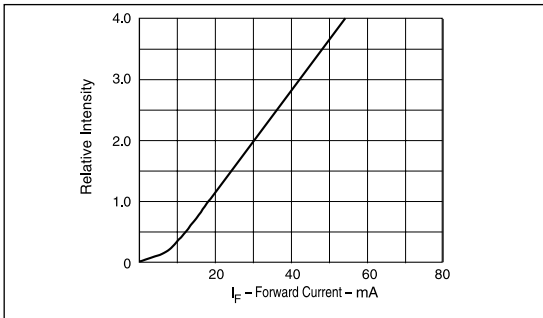


FIGURE 1. Normalized power launched versus forward current.

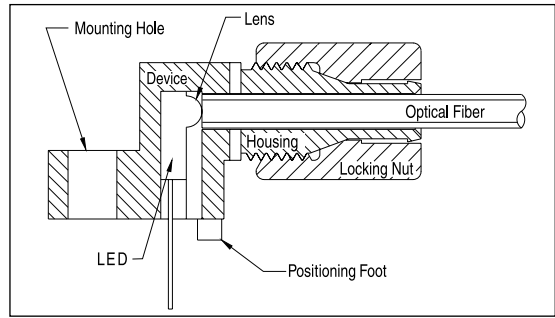


FIGURE 3. Cross-section of fiber optic device.

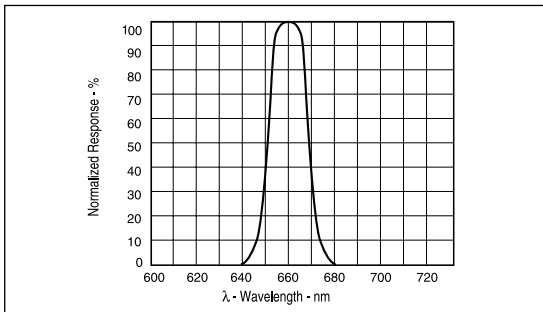


FIGURE 2. Typical spectral output versus wavelength.

FIBER TERMINATION INSTRUCTIONS

1. Cut off the ends of the optical fiber with a single-edge razor blade or sharp knife. Try to obtain a precise 90-degree angle (square).
2. Insert the fiber through the locking nut and into the connector until the core tip seats against the internal micro-lens.
3. Screw the connector locking nut down to a snug fit, locking the fiber in place.

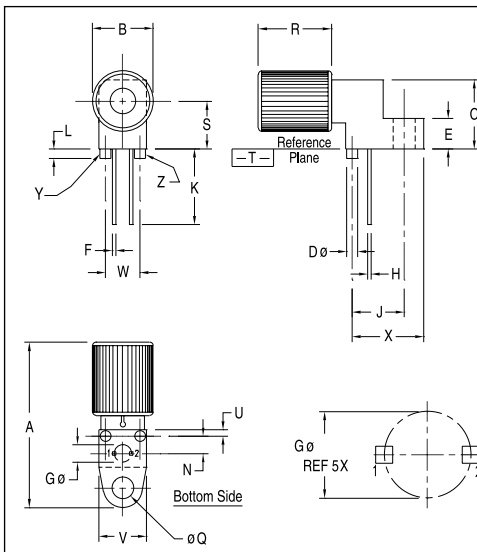


FIGURE 4. Case outline.

Notes:

1. Y AND Z ARE DATUM DIMENSIONS AND T IS A DATUM SURFACE.
2. POSITIONAL TOLERANCE FOR D ϕ (2 PL):
 $\phi 0.25(0.010) \text{ (M) | T | Y (M) | Z (M) }$
3. POSITIONAL TOLERANCE FOR F DIM (2 PL):
 $\phi 0.25(0.010) \text{ (M) | T | Y (M) | Z (M) }$
4. POSITIONAL TOLERANCE FOR H DIM (2 PL):
 $\phi 0.25(0.010) \text{ (M) | T | Y (M) | Z (M) }$
5. POSITIONAL TOLERANCE FOR Q ϕ :
 $\phi 0.25(0.010) \text{ (M) | T | Y (M) | Z (M) }$
6. POSITIONAL TOLERANCE FOR B:
 $\phi 0.25(0.010) \text{ (M) | T }$
7. DIMENSIONING AND TOLERANCING PER ANSI Y14.5M, 1982.
8. CONTROLLING DIMENSION: INCH

PACKAGE IDENTIFICATION:

- PIN 1. Anode
- PIN 2. Cathode

DIM	MILLIMETERS		INCHES	
	MIN	MAX	MIN	MAX
A	23.24	25.27	.915	.995
B	8.64	9.14	.340	.360
C	9.91	10.41	.390	.410
D	1.52	1.63	.060	.064
E	4.19	4.70	.165	.185
F	0.43	0.58	.017	.023
G	2.54 BSC		.100 BSC	
H	0.43	0.58	.017	.023
J	7.62 BSC		.300 BSC	
K	10.35	11.87	.408	.468
L	1.14	1.65	.045	.065
N	2.54 BSC		.100 BSC	
U	.305	3.30	.120	.130
R	10.48	10.99	.413	.433
S	6.98 BSC		.275 BSC	
U	0.83	1.06	.032	.042
V	6.86	7.11	.270	.280
W	5.08 BSC		.200 BSC	
X	10.10	10.68	.397	.427