



Using the ST10F280

By André ROGER

1 - INTRODUCTION

ST10F280 is a new member of ST10 family. This device has been specifically designed for application based on C167 and that now requires signal processing: a timer has been added for signal sampling (automatic triggering of ADC requests on a pre-defined time period).

This application note is showing how to design an application using ST10F280. The following aspects are covered and detailed :

- Emulation,
- Porting from ST10F269,
- Peripheral configuration.

TABLE CONTENTS		PAGE
1	INTRODUCTION	1
2	ST10F280 NEW FEATURES FULLY SUPPORTED BY EMULATORS	3
2.1	XPORT9	3
2.2	XPORT10	3
2.3	XTIMER	3
2.4	XPWM	3
3	ST10F280 REGISTERS NOT SUPPORTED BY THE EMULATOR	3
3.1	SOFTWARE ADVICE FOR NOT IMPLEMENTED REGISTERS	3
3.2	PORT4 REGISTERS	3
3.3	PORT5 REGISTERS	4
3.4	POCON REGISTERS	4
3.5	XPERCON REGISTER	4
3.6	EXISEL REGISTER	4
4	ST10F280 REGISTERS PARTLY SUPPORTED BY THE EMULATOR	5
4.1	PICON REGISTER	5
4.2	WDTCON REGISTER	5
5	ST10F280 PERIPHERALS NOT SUPPORTED BY THE EMULATORS	5
5.1	ST10F280 FLASH	5
5.2	BOOSTRAP	5
6	DC/AC PARAMETER DIFFERENCES	6
7	PORTING AN APPLICATION FROM ST10F269 TO ST10F280	6
7.1	DIFFERENCES IN PERIPHERAL SET	6
7.2	DIFFERENCES IN MEMORY MAPPING	6
7.2.1	Differences on the RAM	6
7.2.1.1	Differences in Flash	6
8	ST10F280 PERIPHERAL CONFIGURATION	6
8.1	XPORT9	6
8.2	XPORT10	6
8.2.1	ADC Software Driver Considerations	7
8.3	XTIMER	7
8.3.1	Manual Injection Conversion Request	7
8.3.2	Proposal of ADC Driver When Converting All Channels Regularly	7
8.3.3	Example	7
8.3.3.1	Software Configuration	8
8.3.3.2	Hardware Configuration	8
8.4	XPWM	8
8.4.1	Bit Addressability and Interrupt Requests	9
8.4.2	XPWM Software Advice Summary	9
9	APPLICATION NOTE VERSION INFORMATION	9
9.1	REVISION OF 29TH OF APRIL 2001	9

2 - ST10F280 NEW FEATURES FULLY SUPPORTED BY EMULATORS

This paragraph describes the features that are fully supported by the ST10F280 emulator.

2.1 - XPort9

XPort9 and its associated features can be fully supported by the emulators.

Note: XPort9 register9 is not addressable as a standard ST10 port register; care should be taken when accessing the Xport9 registers. For simplicity, 2 registers have been added : one to set and another one to clear specific pins.

2.2 - XPort10

Xport10 and the associated 16 new ADC analog channels can be fully supported by the emulator.

XP10DISDIS, is also fully supported (this is not the case for P5DIDIS; see Section 3.3 - Port5 Registers).

2.3 - XTimer

Xtimer, which allows to activate an external pin, which in the end can trigger an ADC conversion request can also be fully supported by the emulator.

2.4 - XPWM

XPWM, and its associated features are fully supported by the emulators. Although those PWM channels are identical to the one of other ST10 variants, users are advised to check the chapter describing F280 peripheral configuration.

3 - ST10F280 REGISTERS NOT SUPPORTED BY THE EMULATOR

This paragraph describes all the issues caused by ST10F280 registers that are not implemented in the emulator.

3.1 - Software Advice for not Implemented Registers

When a ST10F280 register is not implemented in the bond-out :

- Avoid unnecessary read and check of the value in this register,
- If read accesses in user mode are necessary, use the CPU IDCHIP register to detect which CPU is running the code. Then, allow the check on this register only for the ST10F280. If running from the bond-out, use a pre-defined, but non initialised, memory variable to set which configuration you want during emulation.

3.2 - Port4 Registers

Description

ST10F280 register ODP4 is not implemented on the ST10 bond-out. This register allows setting the pin that handles CAN-TX alternate functions in push-pull or in open-drain.

Software Impact

Application software only shall write to this register.

Hardware Impact

No hardware impact if ST advices are implemented by the emulator party (check with your emulator supplier).

ST10F280 Emulation Impact

No impact if ST advices are implemented and if the content of the register is fixed at initialisation (ie : never changed during run time) and if the emulator is properly configured.

3.3 - Port5 Registers

Description

ST10F280 register P5DIDIS is not implemented in the emulator. This register is used to enhance the accuracy on analog inputs within the temperature and supply voltage range.

Software Impact

Application software only shall write to this register.

ST10F280 Emulation Impact

No impact if software recommendations are used.

3.4 - POCN Registers

Description

Those registers are not implemented in the emulator, but are implemented in the ST10F280. They allow to set the rise/fall time and the output current characteristics of the I/O ports.

Software Impact

Application software only shall write to this register.

Hardware Impact

The I/O ports characteristics are fixed to the one of the ST10 bond-out : fast edge and high current.

ST10F280 Emulation Impact

If those modes are only used to minimize EMC, there is no impact on ST10F280 emulation.

3.5 - XPERCON Register

Description

This register is not implemented in the emulator, but is implemented in the ST10F280. The emulator Xperipherals are enabled by the user in the emulator environment.

Software Impact

Application software only shall write to this register.

ST10F280 Emulation Impact

No impact if software recommendations are used and if the emulator is properly configured.

3.6 - EXISEL Register

Description

This register is not implemented in the emulator, but is implemented in the ST10F280. It allows to select the source for the fast interrupt (pin from Port2 or/and ST10F280 specific alternate function).

Software Impact

Application software only shall write to this register.

Hardware Impact

No hardware impact if ST advices are implemented by the emulator party (check with your emulator supplier) : static configuration of the emulator can replace EXISEL.

ST10F280 Emulation Impact

No impact if ST advices are implemented, if the content of the register is fixed at initialisation (ie : never changed during run time) and if the emulator is properly configured.

4 - ST10F280 REGISTERS PARTLY SUPPORTED BY THE EMULATOR

This paragraph describes all the issues caused by ST10F280 registers that are implemented in the emulator but in a different way than the ST10F280 (new bits added or modified bit functionality).

4.1 - PICON Register

Description

Bit4 (P4LIN) is not implemented on the ST10 bond-out.

Software Impact

Application software only shall write to this register.

Hardware Impact

Hystereris cannot be implemented on P4 during emulation.

ST10F280 Emulation Impact

As usual, hysteresis is used to minimise noise effects, the impact on the application is minimized.

4.2 - WDTCN Register

Description

This register is implemented in the ST10 bond-out chip but all the bits that allow to identify the reset cause are not implemented.

Software Impact

The cause of the reset cannot be dynamically emulated.

ST10F280 Emulation Impact

To allow to simulate a reset cause, it is proposed :

the reset procedure shall be written in a way to detect which silicon is running the software : ST10F280 or the Bond-out (via IDCHIP register). Then, when running code from the bond-out, it is proposed to use a non initialised variable (initialised by the user before running emulation) to check the reset cause.

5 - ST10F280 PERIPHERALS NOT SUPPORTED BY THE EMULATORS

This paragraph describes all issues caused by peripherals that are not supported by the ST10 emulators.

5.1 - ST10F280 Flash

Description

In emulation, the bond-out is running code from RAM mapped into the ST10 bond-out memory space.

ST10F280 Emulation Impacts

- The automatic remapping of the flash in normal mode or bootstrap mode will not be supported => to have one software for each memory mapping.
- Some of the Flash specific features are not supported (Flash programming commands are not recognised, reading any Flash registers will lead to undefined content).

5.2 - Bootstrap

Description

ST10F280 bootstrap mode cannot be supported as it is by the emulator. ST10F280 automatically activates the boot-Flash and remaps some memory blocks if boot-strap mode is selected. ST10 bond-outs cannot do that. This limitation is not specific to ST10F280.

ST10F280 Emulation Impacts

To debug the bootstrap software routines, users will need to have a specific software for this mode. This specific software, loaded into the emulator memory, shall have all the software inside the boot-Flash and all the needed software from the other blocks of the Flash.

6 - DC/AC PARAMETER DIFFERENCES

Although minimized as far as possible, there will be differences in DC and AC parameters. For detailed differences on DC or AC parameters, please refer to the latest ST10F280 datasheet.

7 - PORTING AN APPLICATION FROM ST10F269 TO ST10F280

ST10F269 and ST10F280 are both members of ST10 family and, as a consequence are compatible. Due to differences in peripheral set and in memory mapping, there are few differences that need to be considered to port an application from ST10F269 to ST10F280.

7.1 - Differences in Peripheral Set

Added Xperipherals : XPort9, Xport10 with 16 new ADC channels, XPWM, XTimer.

Removed Peripherals: real time clock (RTC).

The peripheral set differences require changes in the initialisation of XPERCON register.

If the RTC is not used, this is the only change to do, to take into account the differences of peripherals.

7.2 - Differences in Memory Mapping

7.2.1 - Differences on the RAM

The RAM on Xbus is changed from 10K Bytes to 16K Bytes. The address range is changed from 00'C000h/00'E7FFh to 00'8000h/00'BFFFh.

This change requires:

- An update of the link parameters,
- A DPP to be allocated to the part of the XRAM page2 memory address,
- A modification of the value written in XPERCON register (F269 has 2 bits to control XRAM; F280 has only 1).

7.2.1.1 - Differences in Flash

The Flash is increased from 256K Bytes to 512K Bytes.

- Programming model is unchanged,
- Flash memory mapping is unchanged on the first 256K Bytes part of ST10F280 Flash.

The only modification is that it is no longer possible to pull the Flash status using XP2IR interrupt flag.

Pulling shall be done using the Flash status register (already available with ST10F269).

8 - ST10F280 PERIPHERAL CONFIGURATION

This part of the technical note is giving advice on the configuration to have or to avoid with ST10F280.

8.1 - XPort9

XPort9 and its associated features can be fully supported by the emulators.

Due to emulation constraints, it was not possible to map XPORT9 in the bit addressable area, each of the XPort9 registers that may need to be changed after CPU initialisation has been split into :

- 1 set register : used to set specified bits (writing a 0 has no effect)
- 1 clear register : used to clear specific bits (writing a 0 has no effect).

Software shall use those registers depending on what value is intended on the output pins (or other registers).

8.2 - XPort10

Although Xport10 and the associated 16 new ADC analog channels can be fully supported by the emulator, there is no way in the ADC conversion results register to identify which part of the 32 channels has been converted : low part of the 32 channels (ie : Port5) or high part (ie : Xport10).

8.2.1 - ADC Software Driver Considerations

The handling of bit XADCMUX shall be done preferably by a unique piece of software.

If ADC automatic scan is used (with or without PECC) to fill-up a table of conversion channels, it shall be the software driver responsibility to handle this bit and generate the correct address to write to this table).

8.3 - XTimer

Xtimer, which allows to activate an external pin, which in the end can trigger an ADC conversion request can also be fully supported by the emulator.

Although it is fully supported, some care is necessary :

The conversion-injection-request will be triggered without knowing the value of bit XADCMUX.

Practically, in engine control application, this bit may change dynamically and ensuring a predefined value during injection request may be difficult.

As a result, it is advised to duplicate to 2 analog channels the analog signal to compare on injection request.

Note: It is better to allocate P5.15 and P10.15 to the channel to convert on injection request : this allow to optimise the number of channels to scan during the auto-scan of the ADC channels.

8.3.1 - Manual Injection Conversion Request

Injection conversions can be initiated by software rather than Xtimer. This feature is already existing on ST10 and requires to write to bit INJ_REQ in ADCON register.

8.3.2 - Proposal of ADC Driver When Converting All Channels Regularly

This proposal is showing how to configure ST10F280 when scanning regularly all channels and storing conversion results with PECC :

ADC scan start routine : unchanged

PECC : end-of-count interrupt routine :

- Must be changed to distinguish between 1st half of scan and second half of scan (new variable needed).
- To summarize :
- Check bit XADCMUX,
- If 1st half (assume XADCMUX=0), change bit XADCMUX, start another scan,
- If 2nd half : re-init PECC for xx channels (1 to 16), change bit XADCMUX.
- Here, we assume that ADC scan are initiated by another routine (either timer based, ...).

ADC + PECC init routine : to allow more room for the table of conversion results.

8.3.3 - Example

The example hereafter illustrates how to generate of X_ADC_INJ output for the channel injection mode of the A/D converter. It both describes the software and hardware configurations. XTIMER is used as a counter that is clocked with XCLK divided by 8 and that counts from 0 (start value) to F (end value). It is configured with "continue" and "reload start value" mode.

8.3.3.1 - Software Configuration

```

; init XTCR
MOV  R3, #0C000h    ;XTCR address
MOV  R0, #009Eh    ;configuration value
MOV  [R3], R0

; init TSVR
MOV  R3, #0C002h    ;register address
MOV  R0, #0000h    ;start value
MOV  [R3], R0

; init TEVR
MOV  R3, #0C004h    ;register address
MOV  R0, #000Fh    ;end value
MOV  [R3], R0

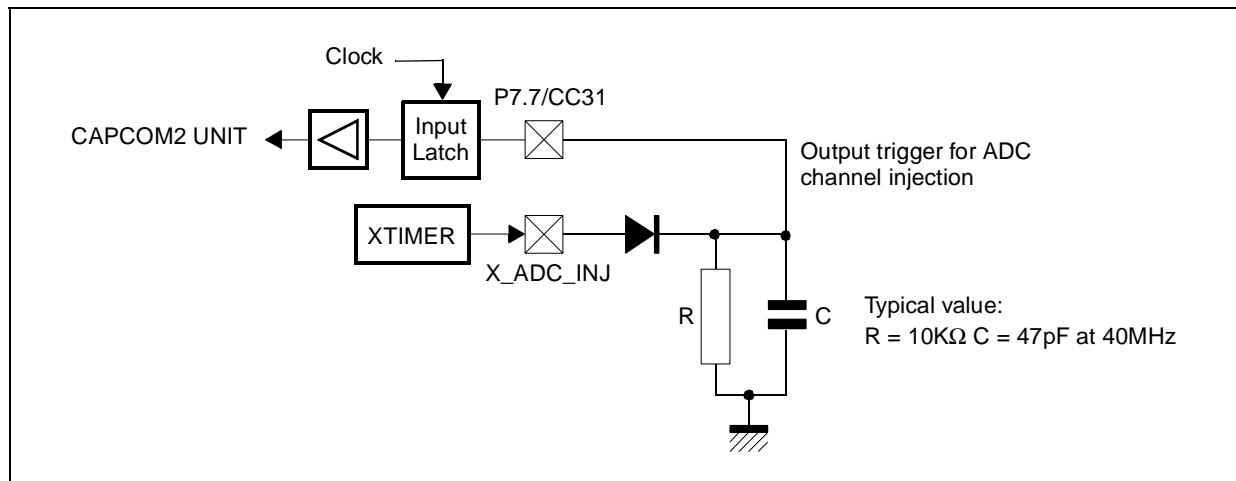
; run Xtimer by XTCR
MOV  R3, #0C000h
MOV  R0, #009Fh
MOV  [R3], R0
    
```

Note : bit "interrupt enable" in XTCR shall be set to enable the signal on Xtimer output pin (X_ADC_INJ).

8.3.3.2 - Hardware Configuration

In practice, the falling edge of the X_ADC_INJ signal must be delayed up to 8 CPU clock cycles. The following figure shows the external circuit that has to be added:

Figure 1 : External Connection for ADC Channel Injection



8.4 - XPWM

XPWM are identical to the one in ST10 peripheral address range.

The differences to the user are due to the fact they are not bit addressable and that all the associated interrupt requests have been ORed on a single interrupt node.

8.4.1 - Bit Addressability and Interrupt Requests

XPWMCON0 and XPWMCON1 registers are not bit addressable and register XPWMCON0 has all the interrupt request flags.

To avoid to loose interrupt requests, it is necessary to stop all the PWMs before changing the XPWMCON0 register.

Changes in XPWMCON0 must ensure coherency (ie : uninterruptible read-modify-write sequence).

To make an instruction sequence uninterruptible, use ATOMIC instruction before the sequence.

8.4.2 - XPWM Software Advice Summary

- Stop all PWMs before changing XPWMCONx registers
- Change them using uninterruptible sequence (use ST10 ATOMIC #xx instruction).
- Re-enable PWM that were running as soon as changes are done to avoid increase in inaccuracy of the PWM outputs.

9 - APPLICATION NOTE VERSION INFORMATION

9.1 - Revision of 29th of April 2001

This is the first version of AN1335.

9.2 - Revision of 24th of September 2013

Updated Disclaimer.

AN1335 - APPLICATION NOTE

Please Read Carefully:

Information in this document is provided solely in connection with ST products. STMicroelectronics NV and its subsidiaries ("ST") reserve the right to make changes, corrections, modifications or improvements, to this document, and the products and services described herein at any time, without notice.

All ST products are sold pursuant to ST's terms and conditions of sale.

Purchasers are solely responsible for the choice, selection and use of the ST products and services described herein, and ST assumes no liability whatsoever relating to the choice, selection or use of the ST products and services described herein.

No license, express or implied, by estoppel or otherwise, to any intellectual property rights is granted under this document. If any part of this document refers to any third party products or services it shall not be deemed a license grant by ST for the use of such third party products or services, or any intellectual property contained therein or considered as a warranty covering the use in any manner whatsoever of such third party products or services or any intellectual property contained therein.

UNLESS OTHERWISE SET FORTH IN ST'S TERMS AND CONDITIONS OF SALE ST DISCLAIMS ANY EXPRESS OR IMPLIED WARRANTY WITH RESPECT TO THE USE AND/OR SALE OF ST PRODUCTS INCLUDING WITHOUT LIMITATION IMPLIED WARRANTIES OF MERCHANTABILITY, FITNESS FOR A PARTICULAR PURPOSE (AND THEIR EQUIVALENTS UNDER THE LAWS OF ANY JURISDICTION), OR INFRINGEMENT OF ANY PATENT, COPYRIGHT OR OTHER INTELLECTUAL PROPERTY RIGHT.

ST PRODUCTS ARE NOT DESIGNED OR AUTHORIZED FOR USE IN: (A) SAFETY CRITICAL APPLICATIONS SUCH AS LIFE SUPPORTING, ACTIVE IMPLANTED DEVICES OR SYSTEMS WITH PRODUCT FUNCTIONAL SAFETY REQUIREMENTS; (B) AERONAUTIC APPLICATIONS; (C) AUTOMOTIVE APPLICATIONS OR ENVIRONMENTS, AND/OR (D) AEROSPACE APPLICATIONS OR ENVIRONMENTS. WHERE ST PRODUCTS ARE NOT DESIGNED FOR SUCH USE, THE PURCHASER SHALL USE PRODUCTS AT PURCHASER'S SOLE RISK, EVEN IF ST HAS BEEN INFORMED IN WRITING OF SUCH USAGE, UNLESS A PRODUCT IS EXPRESSLY DESIGNATED BY ST AS BEING INTENDED FOR "AUTOMOTIVE, AUTOMOTIVE SAFETY OR MEDICAL" INDUSTRY DOMAINS ACCORDING TO ST PRODUCT DESIGN SPECIFICATIONS. PRODUCTS FORMALLY ESCC, QML OR JAN QUALIFIED ARE DEEMED SUITABLE FOR USE IN AEROSPACE BY THE CORRESPONDING GOVERNMENTAL AGENCY.

Resale of ST products with provisions different from the statements and/or technical features set forth in this document shall immediately void any warranty granted by ST for the ST product or service described herein and shall not create or extend in any manner whatsoever, any liability of ST.

ST and the ST logo are trademarks or registered trademarks of ST in various countries.

Information in this document supersedes and replaces all information previously supplied.

The ST logo is a registered trademark of STMicroelectronics. All other names are the property of their respective owners.

© 2013 STMicroelectronics - All rights reserved

STMicroelectronics group of companies

Australia - Belgium - Brazil - Canada - China - Czech Republic - Finland - France - Germany - Hong Kong - India - Israel - Italy - Japan - Malaysia - Malta - Morocco - Philippines - Singapore - Spain - Sweden - Switzerland - United Kingdom - United States of America

www.st.com