

KR Electronics, Inc.

General Description

KR Electronics part number 3030-140-40 is a 140 MHz band-pass filter. The filter has a minimum 1 dB bandwidth of 40 MHz. Other center frequencies and are bandwidths available. Please consult the factory.

Features

- 140 MHz Bandpass
- 1 dB Bandwidth 40 MHz min
- Elliptic Response
- 50 Ω Source and Load
- Surface Mount

Typical Performance

Overall Response (10 dB/div)

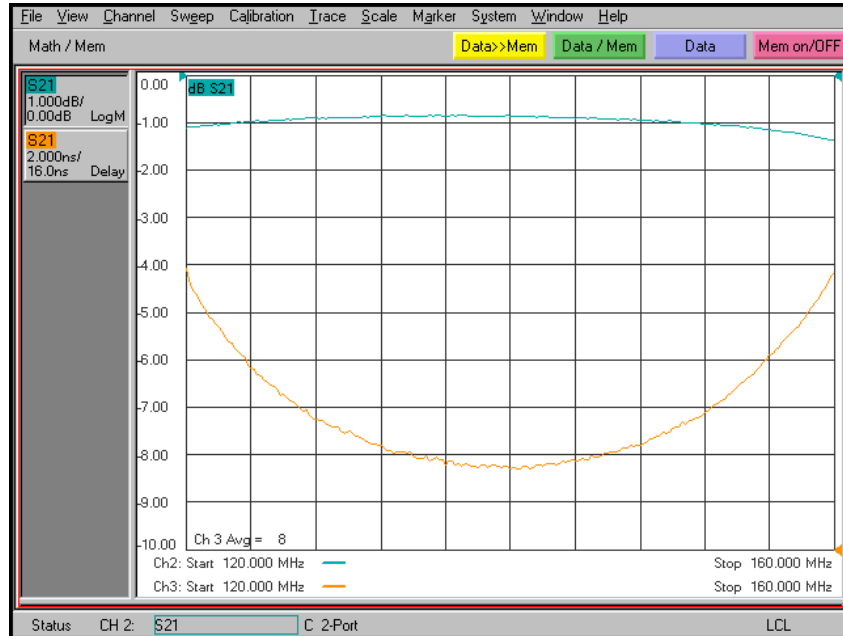


KR Electronics, Inc.
91 Avenel Street
Avenel, NJ 07001

Web www.krfilters.com
Email sales@krfilters.com
Phone (732) 636-1900
Fax (732) 636-1982

Typical Performance

Passband Amplitude & Group Delay (1 dB/div & 2 nsec/div)



Overall Response (10 dB/div)



KR Electronics, Inc.
91 Avenel Street
Avenel, NJ 07001

Web
Email
Phone
Fax

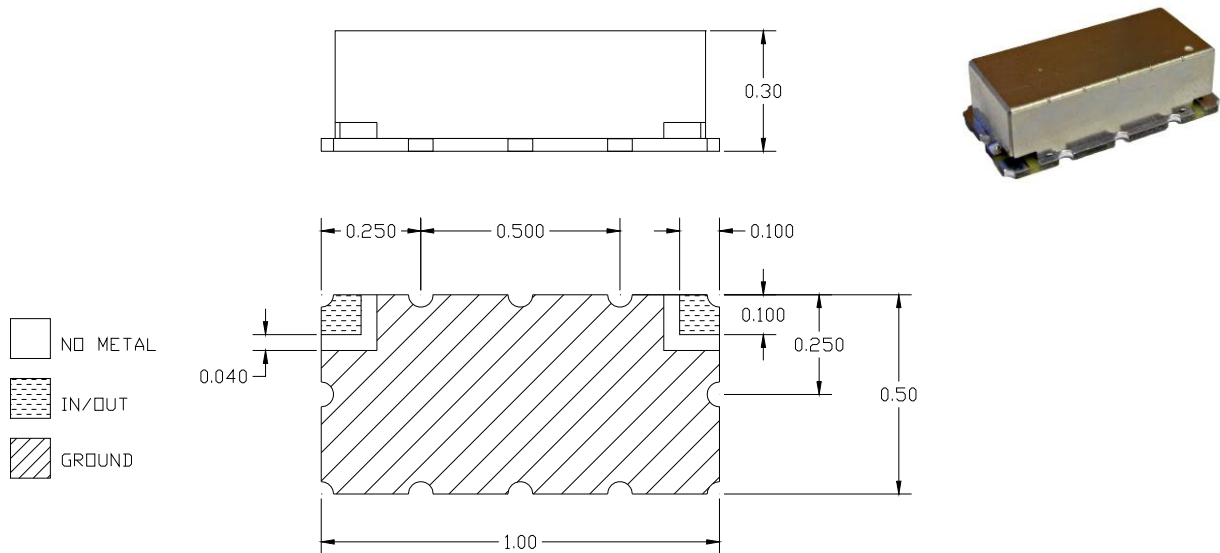
www.krfilters.com
sales@krfilters.com
(732) 636-1900
(732) 636-1982

KR Electronics 3030-140-40

Specifications

Parameter	Specification	
Filter type	Bandpass	
Center Frequency	140 MHz	
Insertion Loss	1.5 dB max	1 dB typical
1 dB Bandwidth	40 MHz min	50 MHz typical
Rejection at 96 MHz & 184 MHz	40 dB min	
3 dB Bandwidth	59 MHz typical	
20 dB Bandwidth	72 MHz typical	
40 dB Bandwidth	82.5 MHz typical	
50 dB Bandwidth	86 MHz typical	
Source and Load	50 Ω	

Physical Dimensions



Notes:

1. Surface mount package
2. Dimensions in inches
3. Max reflow temperature 230° C for 10 sec
4. If boards are cleaned after installation units must be completely dried

KR Electronics, Inc.
91 Avenel Street
Avenel, NJ 07001

Web www.krfilters.com
Email sales@krfilters.com
Phone (732) 636-1900
Fax (732) 636-1982