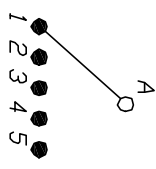
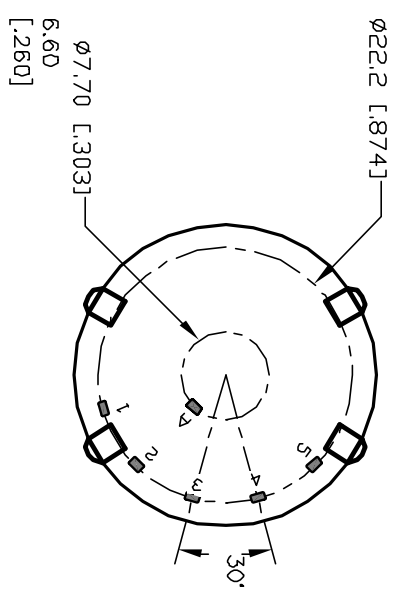
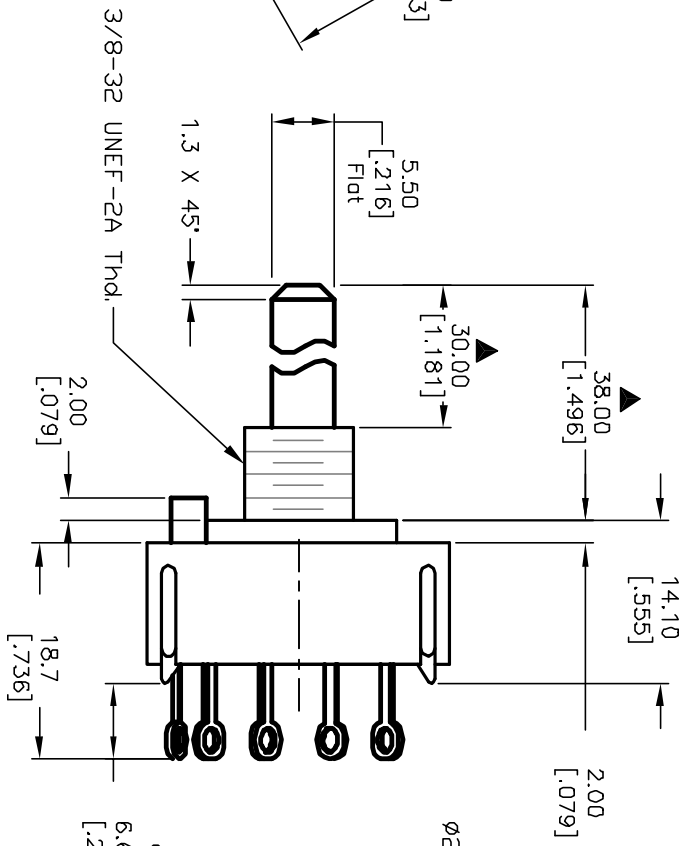
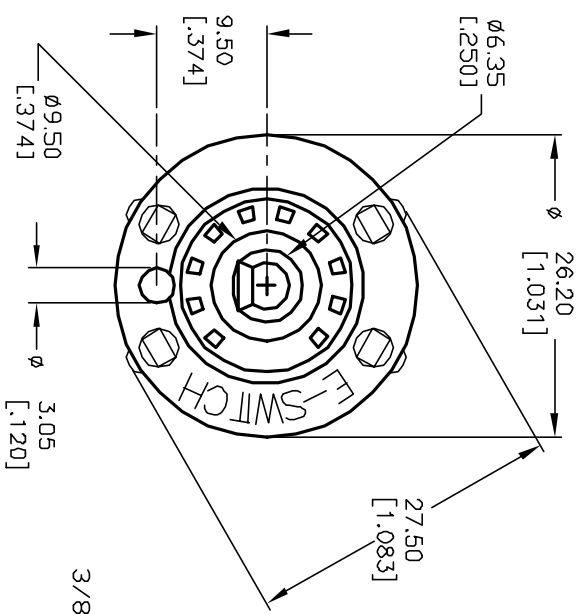
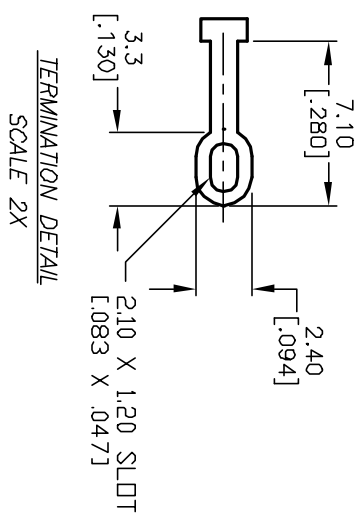


NOTES:

1. ALL DIMENSION IN MM [INCH]
2. GENERAL TOLERANCE: X.X=±0.4  
X.XX=±0.25
3. TERM. NOS. FOR REF. ONLY
4. CONTACT RATING SWITCHING: 150mA, 250V AC/DC  
350mA, 110V AC/DC
5. CONTACT RATING (NON-SWITCHING) 5A
6. CONTACT MATERIAL: SILVER over COPPER ALLOY.
7. OPERATING FORCE: 425±100 CM/STANDARD
8. OPERATING TEMP: -30° to 85°C
9. CIRCUIT SP: 5 POSITIONS, 30° INDEX.
10. DIELECTRIC STRENGTH 1000V RMS min. @ SEA LEVEL
11. DESIGNATE MAJOR DIMENSIONS
12. LOCK NUT AND WASHER NOT SHOWN.



CONTACT CONFIGURATION  
Timing: Non-Shorting (BBM)



|  |  |                           |  |                         |  |         |  |      |  |
|--|--|---------------------------|--|-------------------------|--|---------|--|------|--|
| REV. A   |  | 12222                     |  | RELEASED FOR PRODUCTION |  | 6/12/02 |  | CJB  |  |
| REV.   |  | ECN No.                   |  | DESCRIPTION             |  | DATE    |  | CHKD |  |
| THE INFORMATION CONTAINED IN THIS DOCUMENT IS PROPRIETARY TO E-SWITCH AND IS NOT TO BE COPIED OR TRANSFERRED |  |                           |  |                         |  |         |  |      |  |
| TITLE  |  | KC-15-A (30.0mm) 01-N-L-S |  |                         |  |         |  |      |  |
| SCALE  |  | 1.5:1                     |  |                         |  |         |  |      |  |
| DATE   |  | 6/12/02                   |  |                         |  |         |  |      |  |
| DR   |  | CJB                       |  |                         |  |         |  |      |  |
| DWG  |  | G527535                   |  |                         |  |         |  |      |  |
| REV  |  | A                         |  |                         |  |         |  |      |  |

**E-SWITCH®**