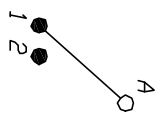
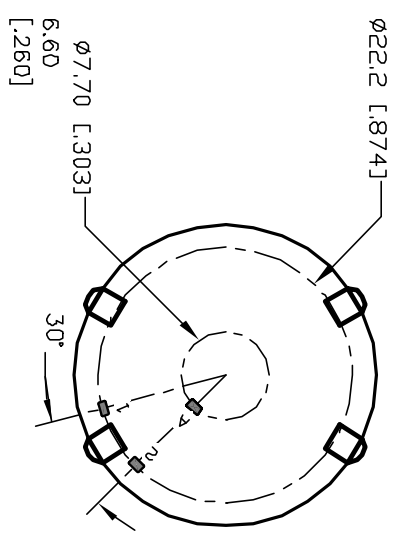
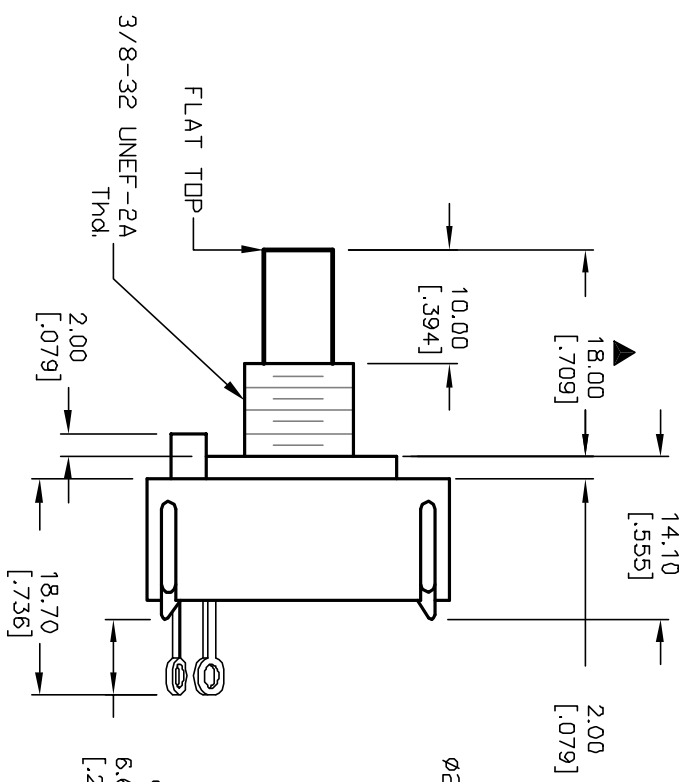
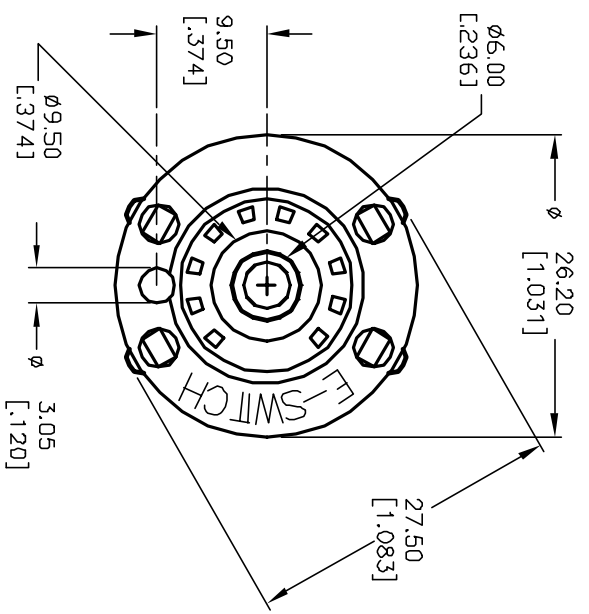
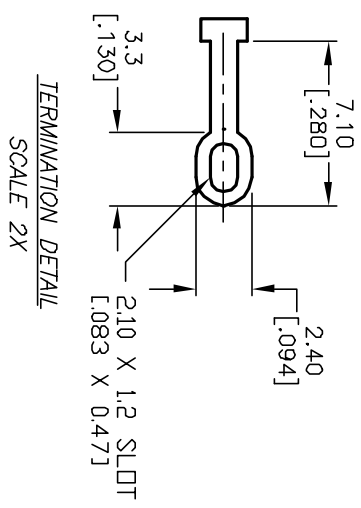


- NOTES:
1. ALL DIMENSION IN MM [INCH]
  2. GENERAL TOLERANCE: X.X=±0.4  
X.XX=±0.25
  3. TERM. NOS. FOR REF. ONLY
  4. CONTACT RATING SWITCHING: 150mA, 250V AC/DC  
350mA, 110V AC/DC
  5. CONTACT RATING (NON-SWITCHING) 5A
  6. CONTACT MATERIAL: SILVER OVER COPPER ALLOY
  7. OPERATING FORCE: 425±100 CM/STANDARD
  8. OPERATING TEMP: -30° to +85°C
  9. CIRCUIT SP: 2 POSITIONS, 30° INDEX
  10. DIELECTRIC STRENGTH 1000V RMS min. @ SEA LEVEL
  11. DESIGNATE MAJOR DIMENSIONS



CONTACT CONFIGURATION  
Timing: Non-Shorting



**E-SWITCH®**

REV.	ECN No.	DESCRIPTION	DATE	CHKD
A	12512	RELEASED FOR PRODUCTION	10/28/02	CJB

TITLE	SCALE	DATE	DR	DWG	REV
KC-12-B-(10.0mm) 01-N-L-S	1.5:1	10/28/02	CJB	G527529	A

THE INFORMATION CONTAINED IN THIS DOCUMENT IS PROPRIETARY TO E-SWITCH AND IS NOT TO BE COPIED OR TRANSFERRED