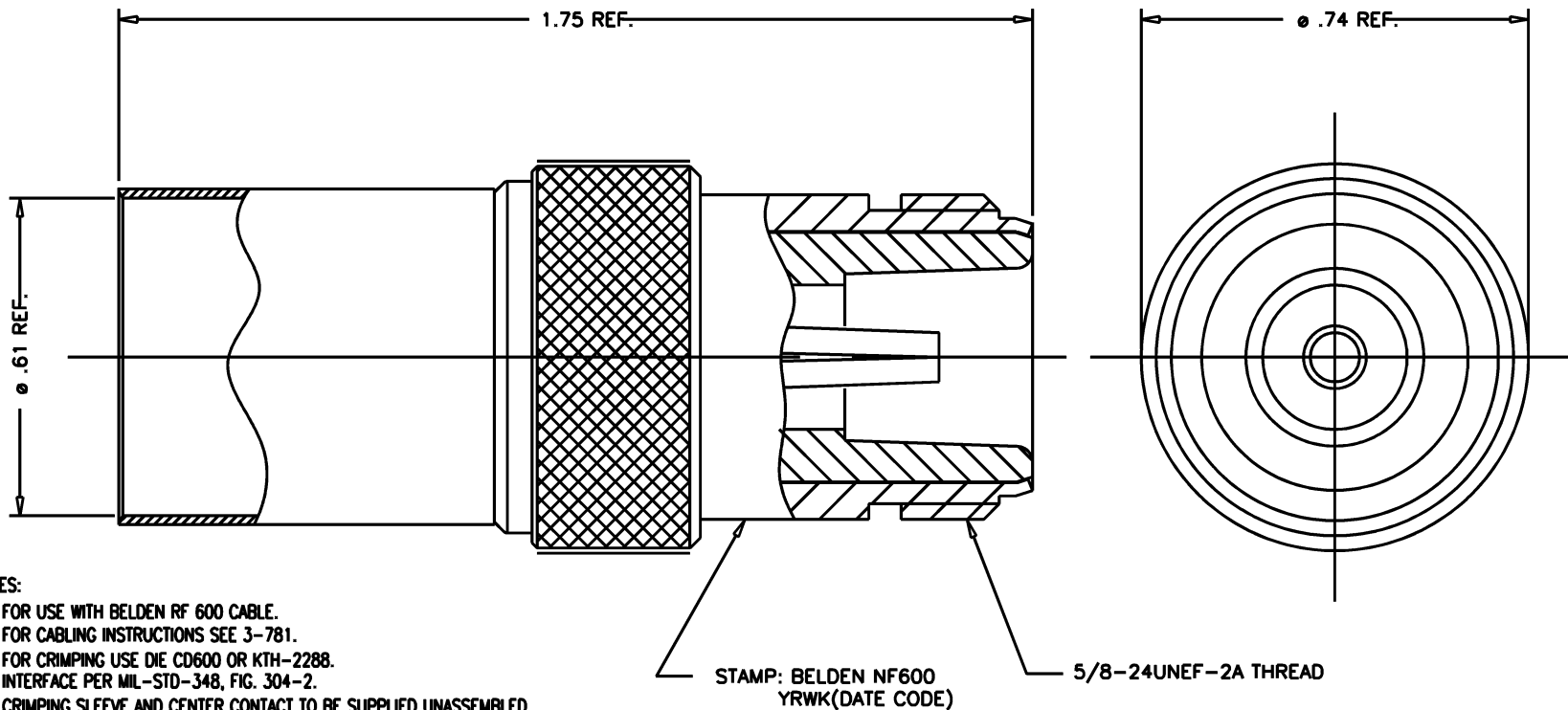


SD

1203-24-7



NOTES:

1. FOR USE WITH BELDEN RF 600 CABLE.
2. FOR CABLING INSTRUCTIONS SEE 3-781.
3. FOR CRIMPING USE DIE CD600 OR KTH-2288.
4. INTERFACE PER MIL-STD-348, FIG. 304-2.
5. CRIMPING SLEEVE AND CENTER CONTACT TO BE SUPPLIED UNASSEMBLED.
6. MATERIALS:
 INSULATOR: TEFLON, ASTM-D4894
 K-GRIP SLEEVE: COMMERCIAL BRONZE, ASTM-B135
 ALL OTHER METAL PARTS: BRASS, ASTM-B16.
7. FINISHES:
 CENTER CONTACT: GOLD PLATE, ASTM-B488.
 ALL OTHER METAL PARTS: NICKEL.
8. ELECTRICAL CHARACTERISTICS:
 NOMINAL IMPEDANCE: 50 OHMS.
 WORKING VOLTAGE: 1000 VRMS.
 FREQUENCY RANGE: DC TO 11 GHZ.

REVISIONS

ISSUE	CHANGES
0	ER 38188 HVN 01/22/01
1	CN 38377 A HVN 08/14/01
2	CN 39971 C DRK 06/18/07

SCALE 4:1	
APPROX SURFACE AREA	
BELDEN ONLY	
USED ON	
REF: 1203-23-9, E-19741	
N, JACK	
DRAWN DRK	DA@7/03/07
DESIGN HVN	DATE2/19/00
APPR.	DATE

A Winchester Electronics Company

SD

1203-24-7