



C Female to C Female Adapter

TECHNICAL DATA SHEET

PE9208

C Female to C Female Adapter

Configuration

Connector 1	C Female
Impedance 1	50 Ohms
Connector Specification 1	MIL-C-39012
Connector 2	C Female
Impedance 2	50 Ohms
Connector Specification 2	MIL-C-39012
Adapter Design	Standard
Body Style	Straight

Mechanical Specifications

Size

Length, in [mm]	1.287 [32.69]
Width/Dia., in [mm]	0.75 [19.05]

Connector 1

Type	C Female
Inner Conductor Material and Plating	Brass, Gold
Inner Conductor Plating Specification	3 μ -5 μ in. minimum
Body Material and Plating	Brass, Nickel
Body Plating Specification	100 μ in. minimum
Dielectric Type	Teflon

Connector 2

Type	C Female
Inner Conductor Material and Plating	Brass, Gold
Inner Conductor Plating Specification	3 μ -5 μ in. minimum
Body Material and Plating	Brass, Nickel
Body Plating Specification	100 μ in. minimum
Dielectric Type	Teflon

Compliance Certifications (visit www.Pasternack.com for current document)

RoHS Compliant	Yes
----------------	-----

Plotted and Other Data

Notes:	Values at 25 °C, sea level
--------	----------------------------

URL: <http://www.pasternack.com/c-female-c-female-straight-adapter-pe9208-p.aspx>

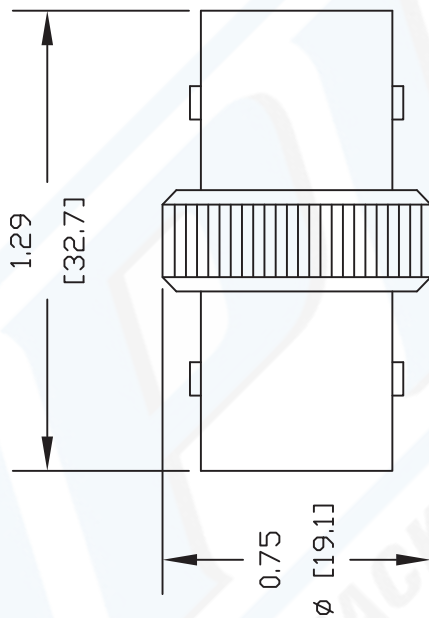
C Female to C Female Adapter from Pasternack Enterprises has same day shipment for domestic and International orders. Our RF, microwave and fiber optic products maintain a 99% availability and are part of the broadest selection in the industry.

The information contained in this document is accurate to the best of our knowledge and representative of the part described herein. It may be necessary to make modifications to the part and/or the documentation of the part, in order to implement improvements. Pasternack reserves the right to make such changes as required. Unless otherwise stated, all specifications are nominal.



PE9208 CAD Drawing

C Female to C Female Adapter



DWG TITLE

PE9208

NOTES:
 1. UNLESS OTHERWISE SPECIFIED ALL DIMENSIONS ARE NOMINAL.
 2. ALL SPECIFICATIONS ARE SUBJECT TO CHANGE WITHOUT NOTICE AT ANY TIME.
 3. DIMENSIONS ARE IN INCHES [mm].

REV. -

FSCM NO. 53919

CAD FILE 082902

SCALE N/A

SIZE A

127



PASTERNAK®

Pasternack Enterprises, Inc.
 P.O. Box 16759 | Irvine | CA | 92623

Phone: (949) 261-1920 | Fax: (949) 261-7451

Website: www.pasternack.com | E-Mail: sales@pasternack.com