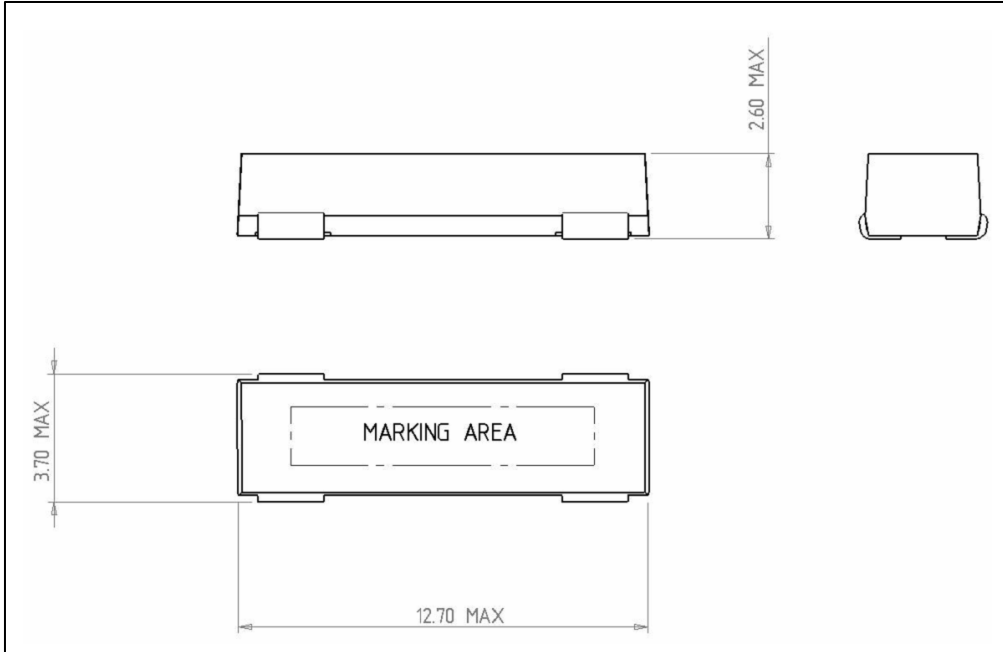
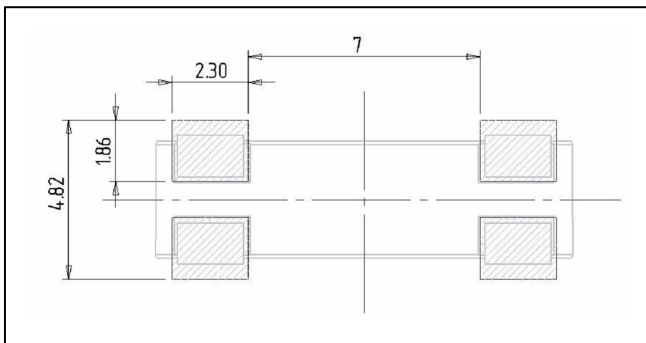


C/Severo Ochoa 33 - Parque Tecnológico de Andalucía. 29590 Campanillas .Málaga (Spain) **Phone** +34 951 231 320 Fax +34 951 231 321
E-mail: info@grupopremo.com Web <http://www.grupopremo.com>

1. Dimensions and Recommended Pad Layout



Recommended pad layout



All dimensions in mm

C/Severo Ochoa 33 - Parque Tecnológico de Andalucía. 29590 Campanillas .Málaga (Spain) **Phone** +34 951 231 320 **Fax** +34 951 231 321
E-mail: info@grupopremo.com Web <http://www.grupopremo.com>

2. Applications

This inductor is designed to accomplish the highest electrical performance in these dimensions together with good thermal properties. The main applications for this piece are the following:

- Industrial application with high requirements
- RTPMS
- Keyless Entry Systems

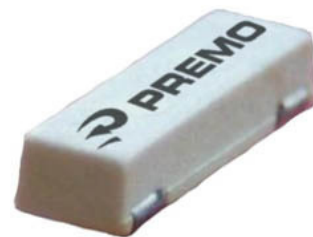
3. Materials

Core: Ferrite core metallized.

SMD Terminals: Phosphor Bronze 200µm Sn100.

Wire: Enamelled copper wire with modified Polyurethane.

Plastic moulding: LCP material.



4. General Specifications. Recommended Reflow Profile

Typical Operating Frequency: 125KHz

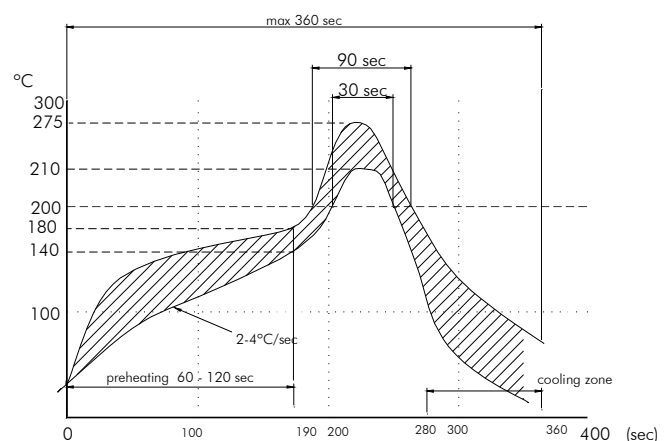
Storage Temperature: -40° C → +125° C

Operating Temperature: -40° C → +120° C

Operating Voltage: < 50V

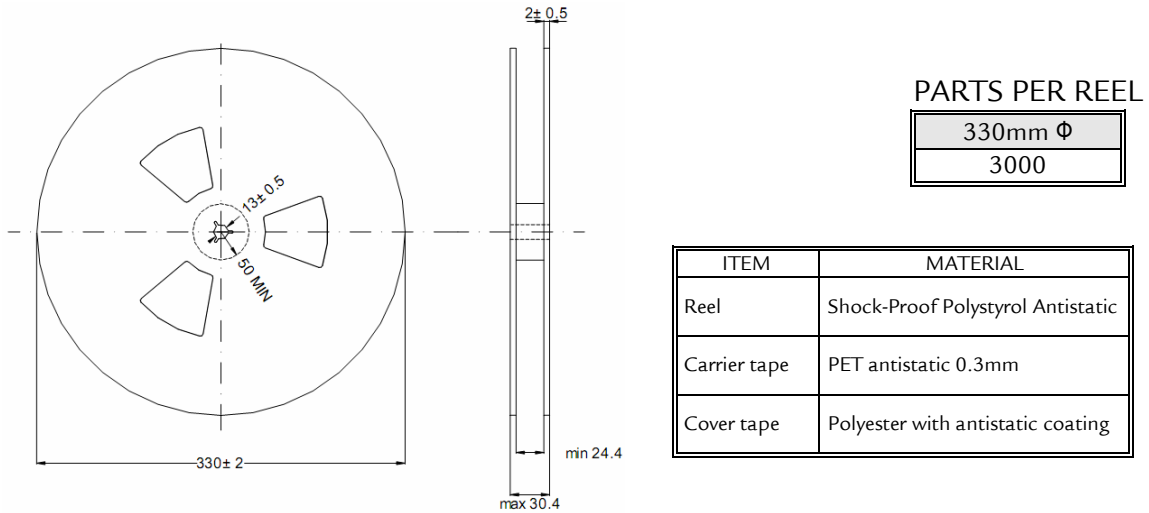
Operating Current: Between 2.5mA for 20µm Φ_{wire} up to 20mA for 0.1mm Φ_{wire}

Lead Free Reflow Profile.



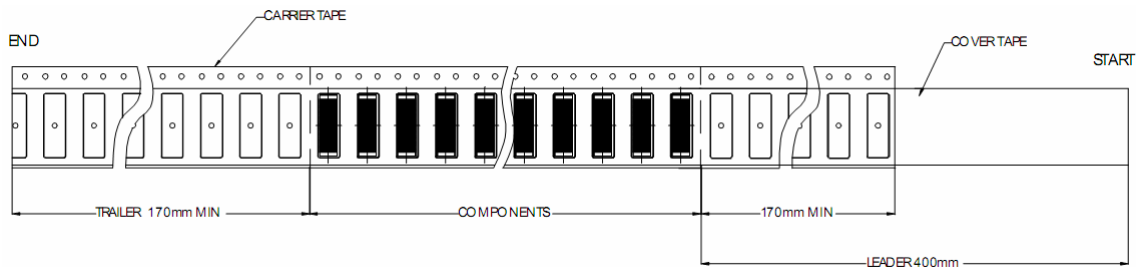
C/Severo Ochoa 33 - Parque Tecnológico de Andalucía. 29590 Campanillas .Málaga (Spain) **Phone** +34 951 231 320 Fax +34 951 231 321
E-mail: info@grupopremo.com Web <http://www.grupopremo.com>

REEL



All dimensions in mm

TAPING



7. Edition Control

Edition	Date	Change description
1 st	25/06/10	Initial Data Sheet