

# PRODUCT DATASHEET

PART NUMBER: C5031NL

- Filter 1125-1525 MHz
- Suitable for MoCA Applications
- Impedance = 75 Ohms
- RoHS Compliant

## Electrical Specifications @ 25°C

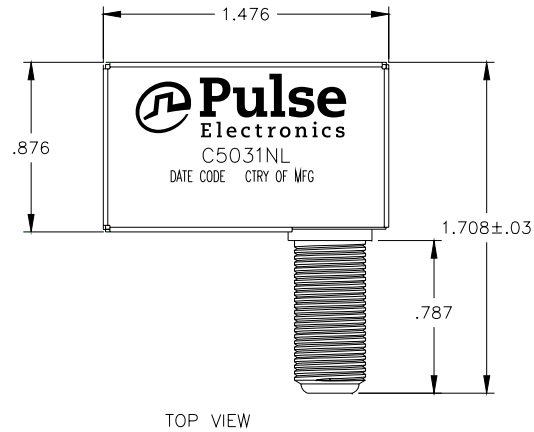
### INSERTION LOSS :

5-800 MHz	801-864 MHz	865-975 MHz	1125-1525 MHz	2000-3000 MHz	3000-4600 MHz	4600-6000 MHz			
48 dB	42 dB	40 dB	3.0 dB	30 dB	30 - 25 dB	25 - 5 dB			

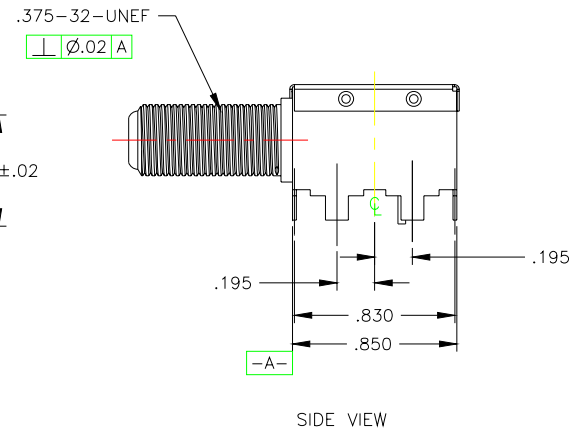
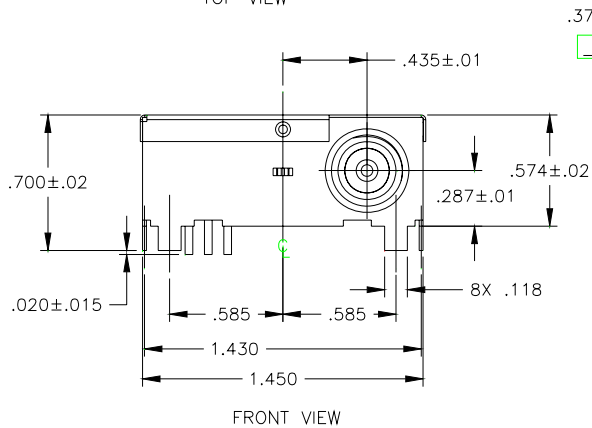
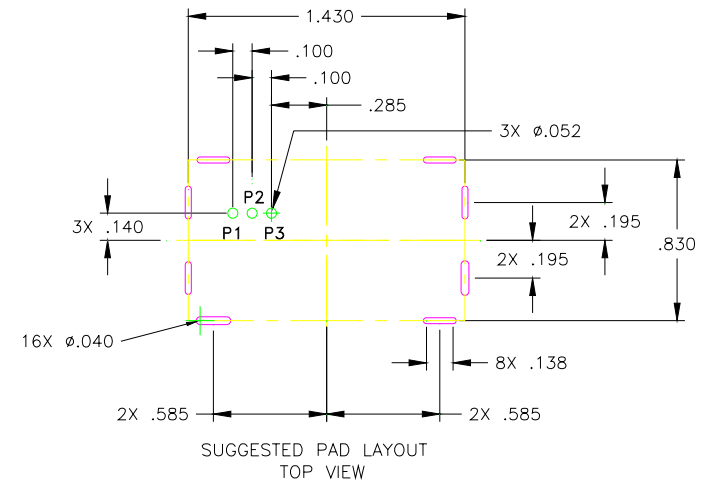
### RETURN LOSS :

1125-1525 MHz									
10 dB									

## Mechanical Specifications



DESIGNATIONS	
COMMON PORT	F-CONNECTOR
HIGHPASS	PIN 2
GROUND (GND)	PINS 1 & 3



DIMENSIONS	INCH
TOLERANCES	.XX +/- .01
	.XXX +/- .005

**Housing Specifications:**  
 F-Connector: Female Type  
 F-Connector Torque Resistance: 20 inch lbs in 10 seconds  
 Housing: SPTE