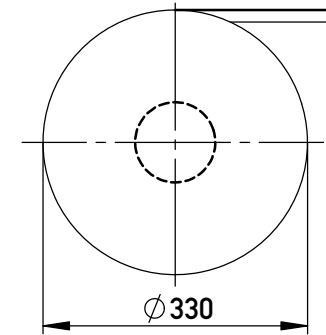


Verpackt in Gurtverpackung
Tape on Reel Packaging
 Verpackungseinheit: 280 Stück
Packaging unit: 280 pcs



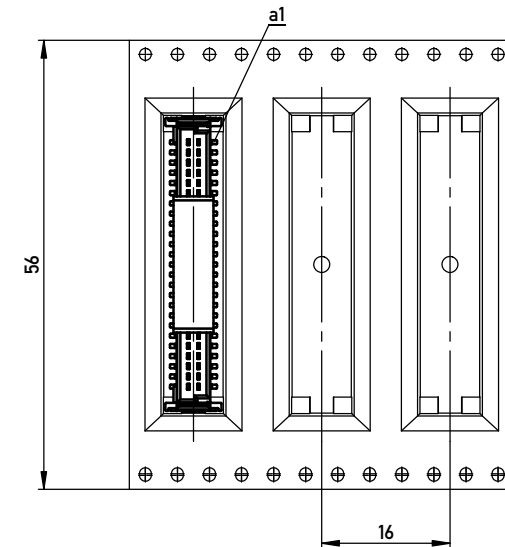
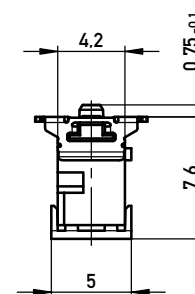
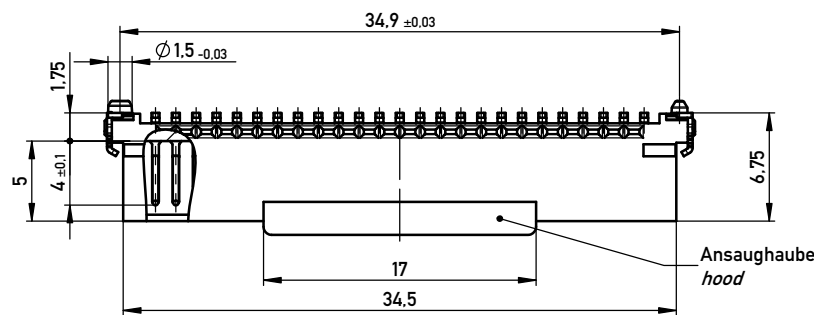
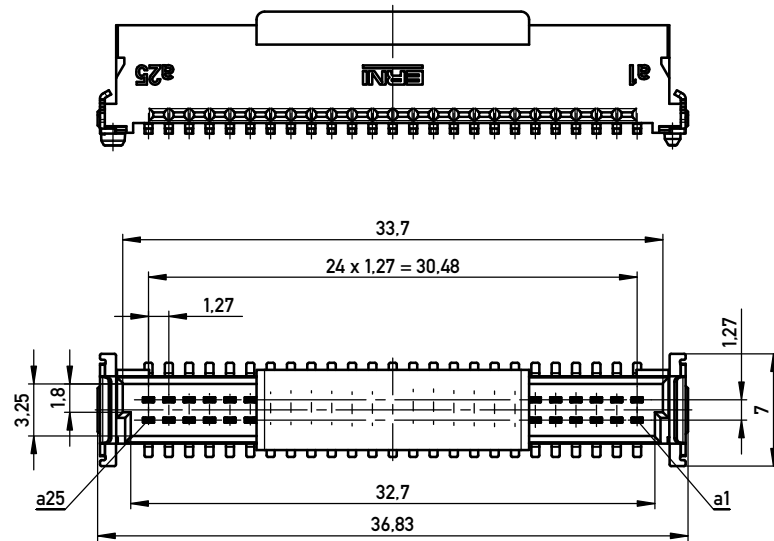
Anforderungsstufe 1
Performance Level 1

Kontaktbereich vergoldet
Mating Area gold plating

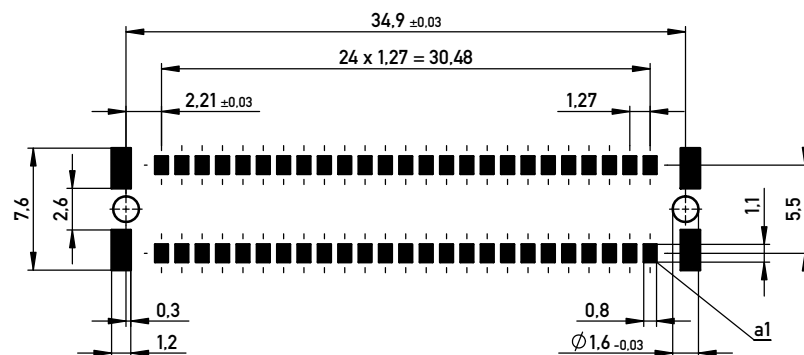
Anschlussbereich verzinkt 4-6 µm
Terminal Area 4-6 µm tin plating

Koplanarität der Anschlüsse ≤ 0,1 mm
Coplanarity Area of Termination ≤ 0.1 mm

Abspulrichtung - *Reel off Direction* →



Leiterplatten-Layout Vorschlag für SMT
PCB-Layout Proposal for SMT



BA 8-13 - 8mm Bauhöhe
type 8-13 - Low Profile

Information:	Tolerances	 All Dimensions in mm	Scale	3:1
	All rights reserved. Only for Information. To ensure that this is the latest version of this drawing, please contact one of the ERNI companies before using.		Designation Messerl. SMC-Q 50-SMD-BA8-13 <i>Male SMC-Q 50-SMD-type 8-13</i>	
Subject to modification without prior notice. Drawing will not be updated.		www.ERNI.com		244838
d	22.07.2013	Class		SMCQ
Index	Date			A3

Copyright by ERNI GmbH
 Proprietary notice pursuant to ISO 9006 to be observed.