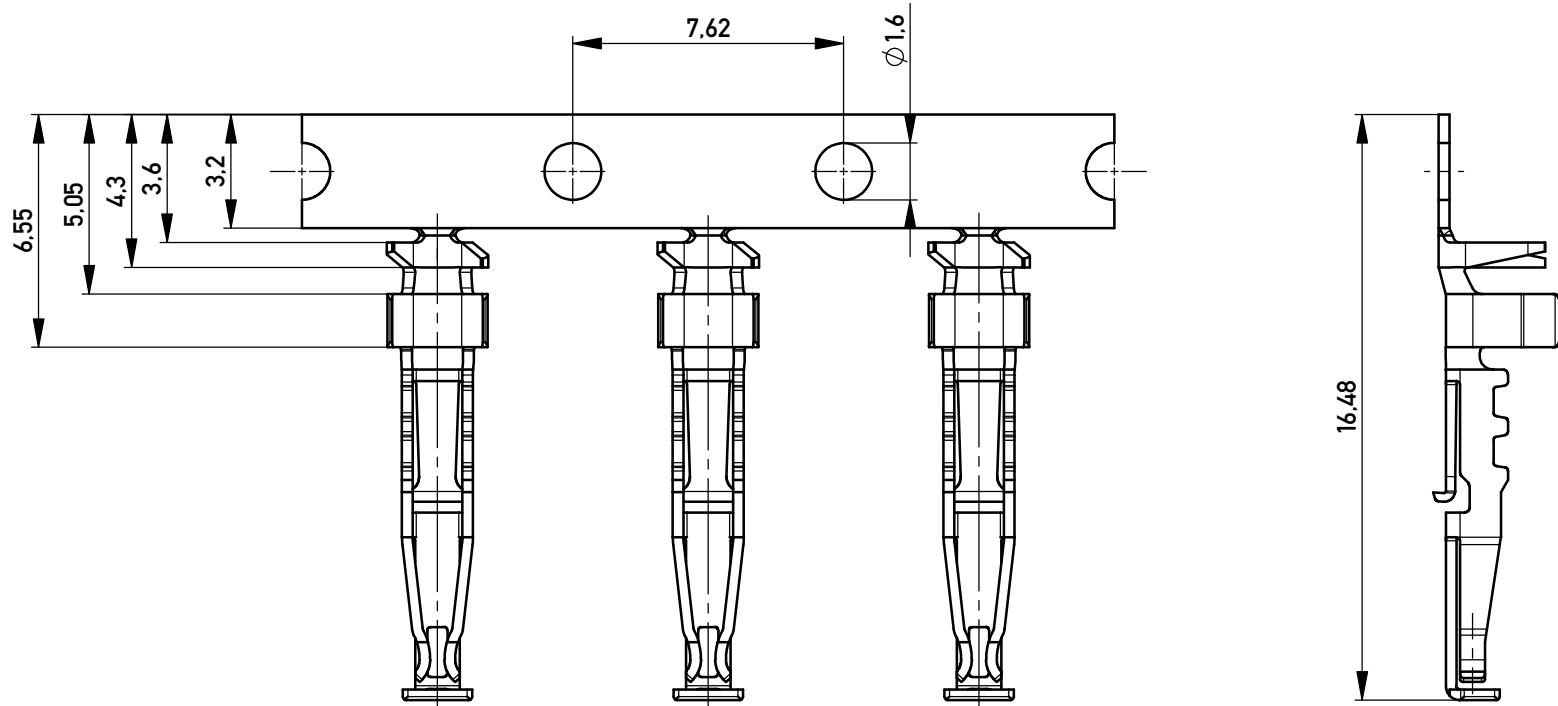
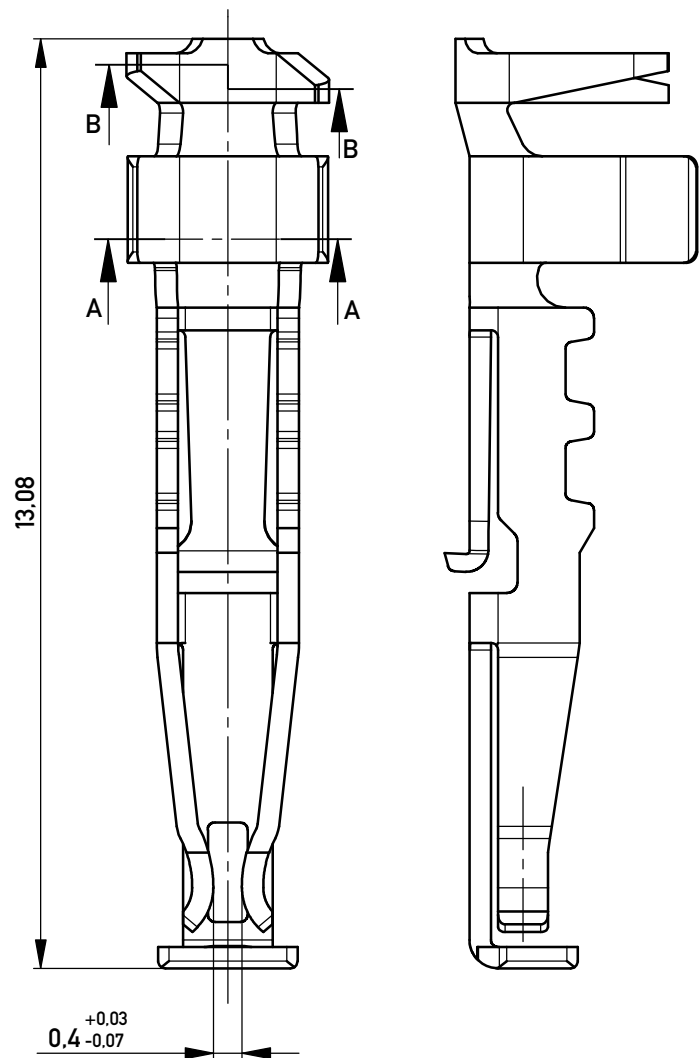


Federkontakte am Band
spring contact on carrier strip

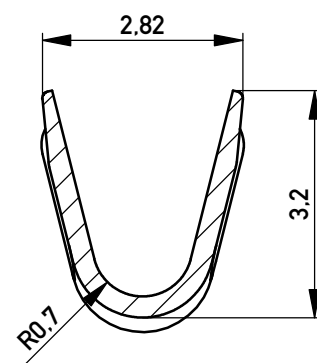


Federkontakt vereinzelt
spring contact isolated



Schnitt A-A
cross section A-A

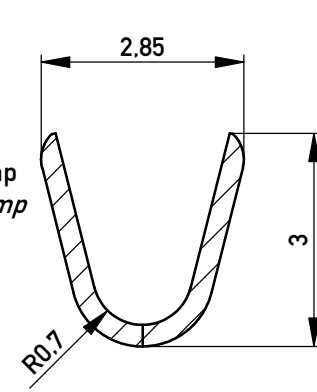
M 10:1



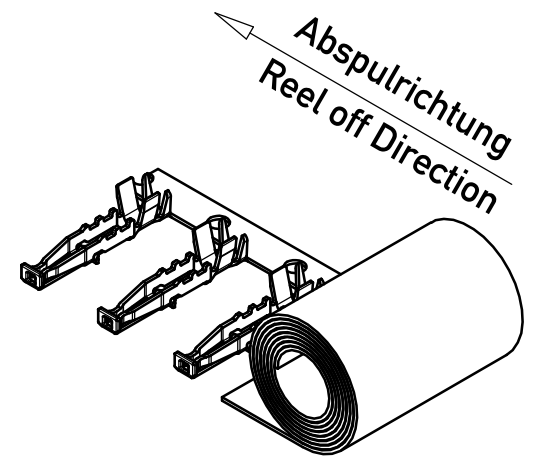
Drahtcrimp
wire crimp

Schnitt B-B
cross section B-B

M 10:1



Isolationscrimp
insulation crimp



AWG 16	10000	Ø 630	137	
Leiterquerschnitt wire cross section	Menge quantity	Spulendurchmesser reel diameter	Anforderungsstufe class	Bemerkung remark

Information: All rights reserved. Only for Information. To ensure that this is the latest version of this drawing, please contact one of the ERNI companies before using.	Tolerances	 All Dimensions in mm	Scale 2:1
	Subject to modification without prior notice. Drawing will not be updated.		Designation Federkontakte 2,54 SRC-A BA1 <i>Spring contact 2,54 SRC-A</i>
g Index	10.04.2013 Date	 www.ERNI.com	100201830001 Class SRCBUT
			K A3

Copyright by ERNI GmbH
Proprietary notice pursuant to ISO 16016 to be observed.