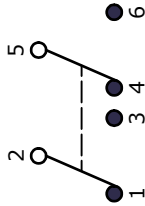


PC MOUNTING

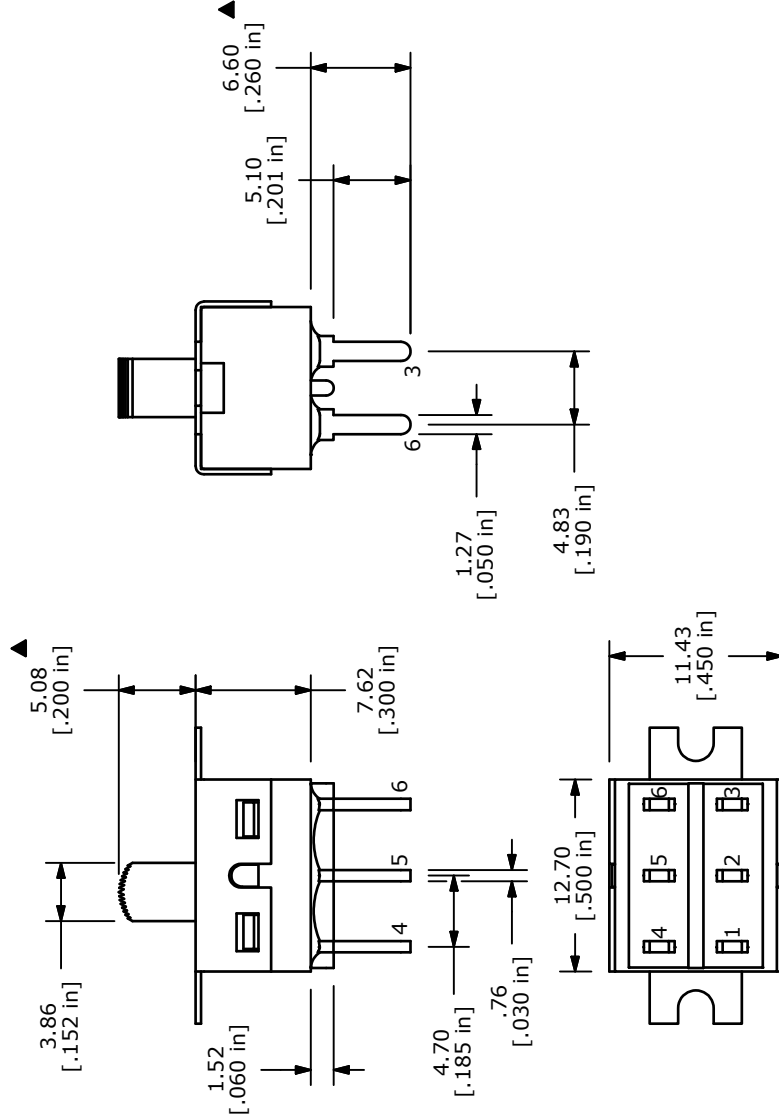
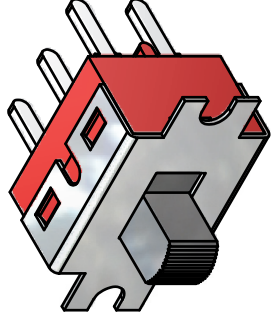
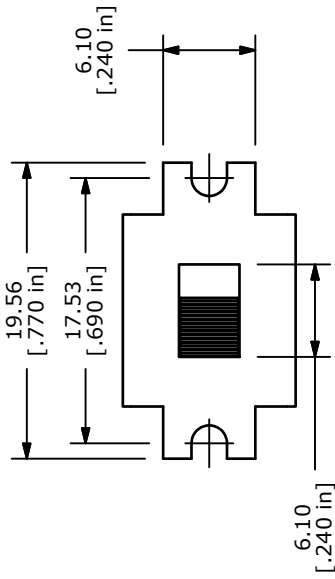
POS. 1	POS. 2	POS. 3	SWITCH FUNCTION ▲
			ON
2-1, 5-4	N/A	2-3, 5-6	



CIRCUIT: DPDT

NOTE:

1. ALL DIMENSIONS IN MM [INCH]
2. GENERAL TOLERANCE: X.X=±0.4
X.XX=±0.25
3. TERMINAL NUMBERS FOR REF ONLY
4. PLATING MATERIAL: SILVER
5. CONTACT RATING: 5A@120VAC or 28VDC
2A@250VAC
6. TRAVEL: 2.16mm
7. ELECTRIC LIFE: 30,000 ACTUATIONS AT FULL LOAD.
8. CONTACT RESISTANCE: 10 milli-OHMS TYP.
9. INSULATION RESISTANCE: 1,000 MEGA-OHM MIN.
10. DIELECTRIC STRENGTH: 1,000 V RMS @SEA LEVEL.
11. OPERATING TEMP.: -30°C to 85°C
12. ▲ DENOTES CRITICAL PARAMETER.
13. 2002/95/EC (ROHS) COMPLIANT



E-SWITCH™

TITLE 500SPD1S1M2QEB

BGL

1/7/11

DRAWING UPDATE / CLEAN-UP

BGL

DATE

1/7/2011

DESCRIPTION

BY

DR

DWG

T521010

REV

B

REV

B

REV

B