

Feature:

- Water clear lens
- Package in bulk pack (Available in tape and reel)
- Super bright 5mm round lamp
- InGaN technology for IB/IG/IW
- AlInGaP technology for R/O/Y/AG
- 15° viewing angle

Description:

These super bright 5mm round type lamps with 8.6mm lens height are suitable for all applications requiring higher brightness.

Application:

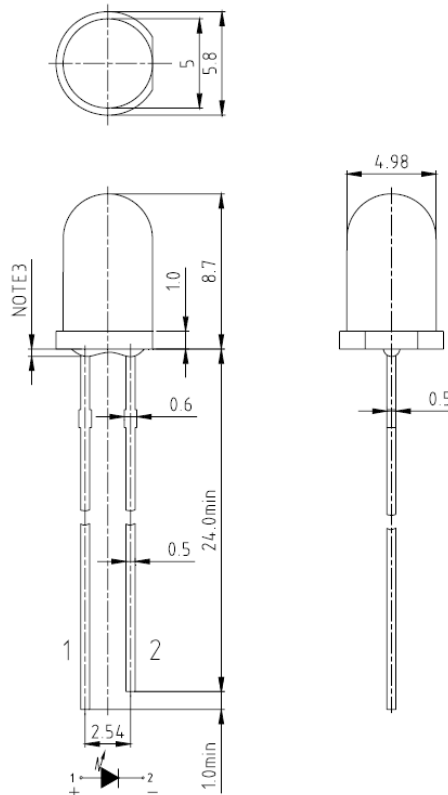
- General purpose indicator application
- Electronic signs and electronics board
- LED lighting

Certification & Compliance:

- TS16949
- ISO9001
- RoHS Compliant



Dimension:



Units: mm / tolerance = +/-0.25mm

Electrical / Optical Characteristic

(T=25 °C)

Product	Color	I _F (mA)	V _F (V)		λ _D (nm)		I _V (mcd)	
			Typ.	Max.	Min.	Max.	Min.	Typ.
QBL8IB15C	Blue	20	3.2	3.8	462	472	2800	5200
QBL8IW15C	White	20	3.2	3.8	X=0.318 Y=0.332	--	10600	20000
QBL8IG15C	Green	20	3.2	3.8	520	530	10600	20000
QBL8R15C	Red	20	2.0	2.6	620	630	3700	7200
QBL8O15C	Orange	20	2.0	2.6	600	612	4900	10000
QBL8Y15C	Yellow	20	2.0	2.6	585	597	4900	9000
QBL8AG15C	Yellow Green	20	2.0	2.6	564	576	1000	2100

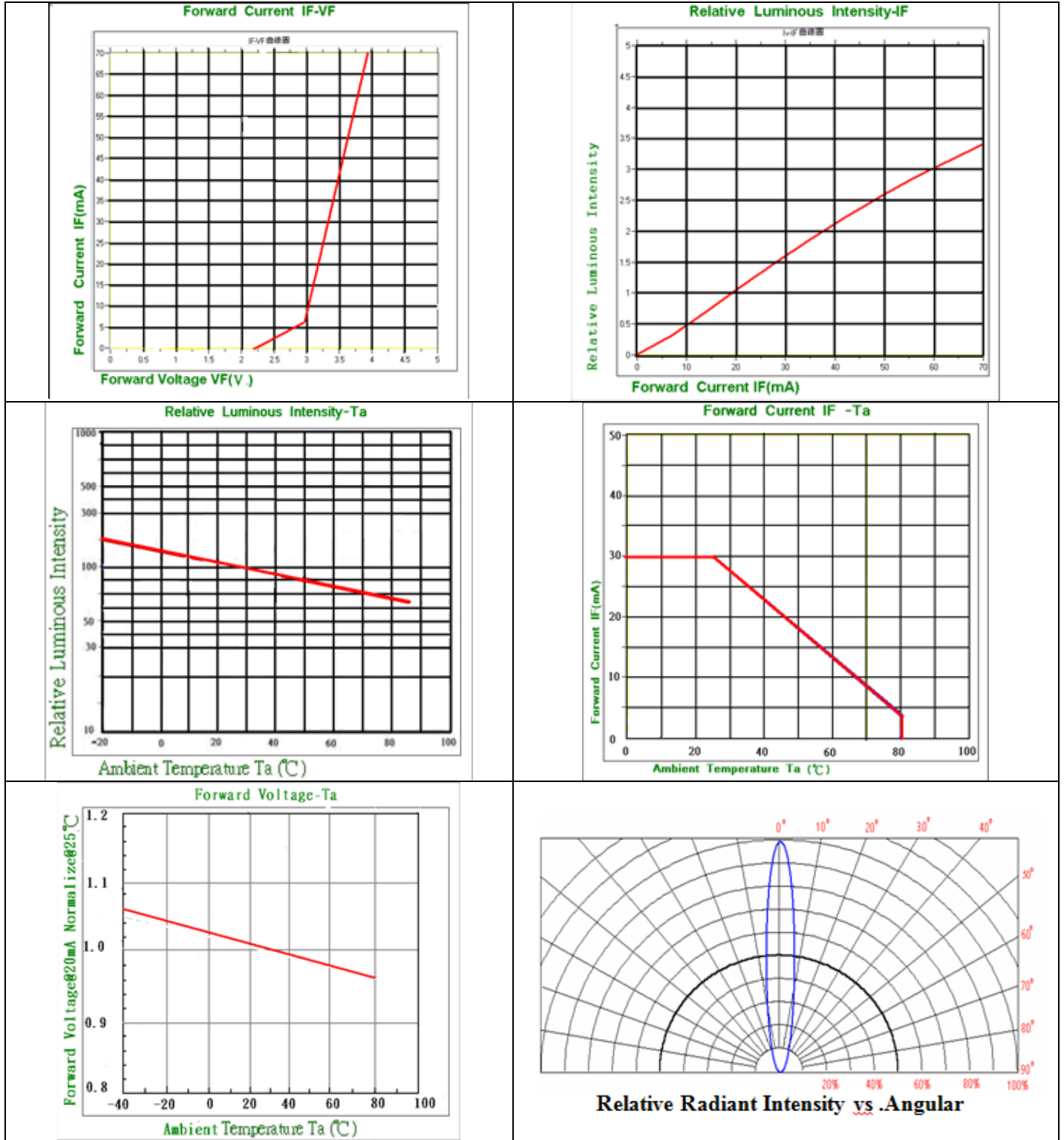
Absolute Maximum Rating

Material	P _d (mW)	I _F (mA)	I _{FP} * (mA)	V _R (V)	T _{OP} (°C)	T _{ST} (°C)
InGaN (IB/IW/IG)	110	30	100	5	-30 to + 80	-40 to +100
AllnGaP (R/O/Y/AG)	80	30	100	5	-30 to + 80	-40 to +100

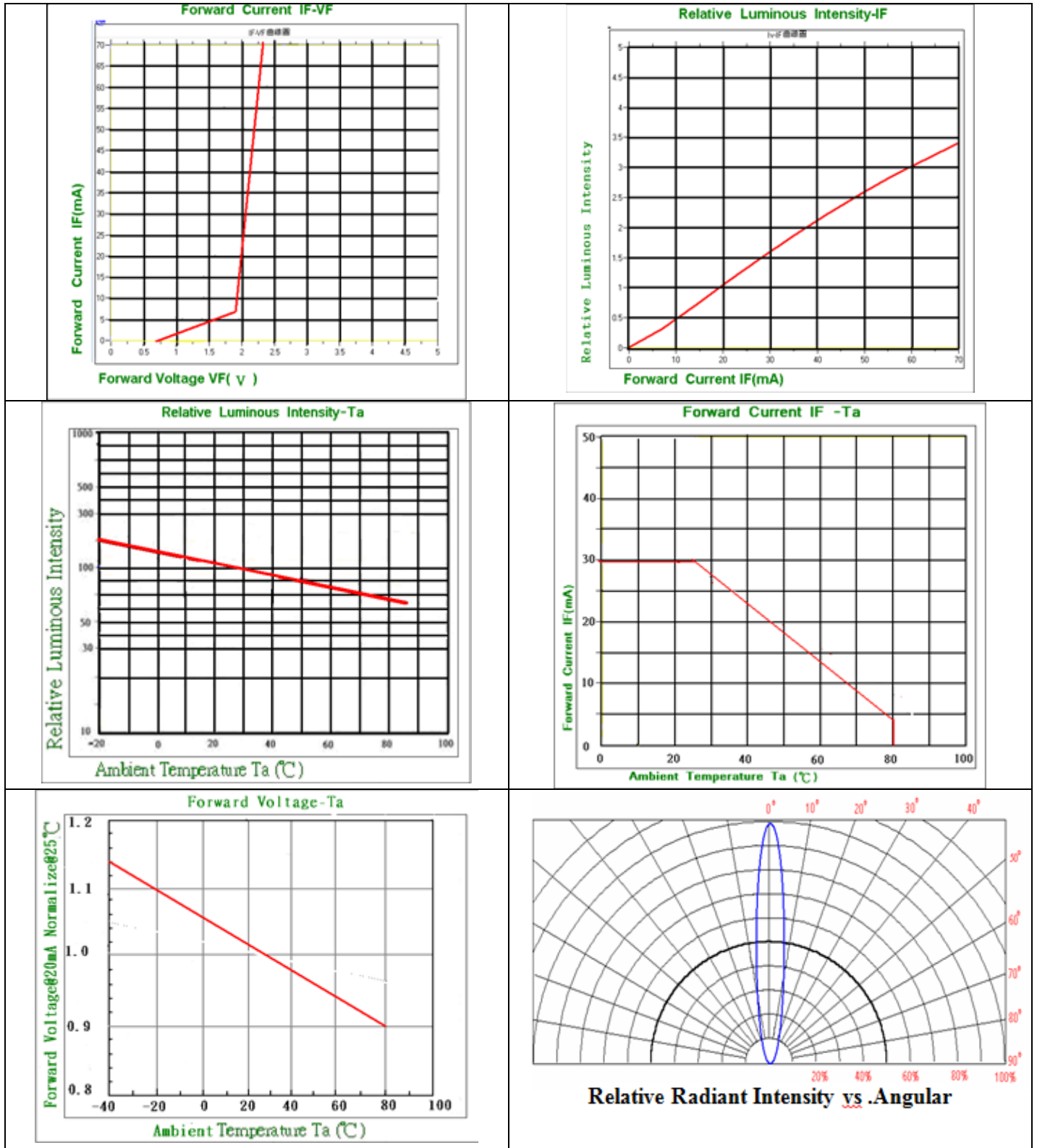
*Duty 1/10 @ 1KHz

** Wave Soldering for no more than 5 sec @ 260 °C

Characteristic Curves: (InGaN)



Characteristic Curves: (AllnGaP)



Ordering Information:

Part #	Orderable Part #	Spec Range	Quantity per bag
QBL8IB15C	QBL8IB15C	Iv = 5000mcd typ., $\lambda_D = 470\text{nm}$	TBD
QBL8IW15C	QBL8IW15C	Iv = 20000mcd typ., X= 0.318, Y = 0.332	TBD
QBL8IG15C	QBL8IG15C	Iv = 2000mcd typ., $\lambda_D = 525\text{nm}$	TBD
QBL8R15C	QBL8R15C	Iv = 7200mcd typ., $\lambda_D = 625\text{nm}$	TBD
QBL8O15C	QBL8O15C	Iv = 1000mcd typ., $\lambda_D = 605\text{nm}$	TBD
QBL8Y15C	QBL8Y15C	Iv = 9000mcd typ., $\lambda_D = 590\text{nm}$	TBD
QBL8AG15C	QBL8AG15C	Iv = 2100mcd typ., $\lambda_D = 570\text{nm}$	TBD

Revision History:

Description:	Revision #	Revision Date
New Release of QBL8XX15C_series	V1.0	06/25/2011