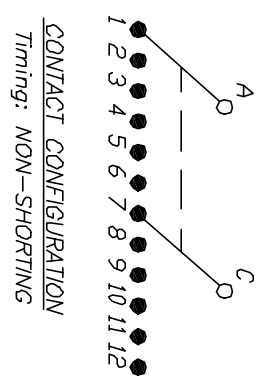
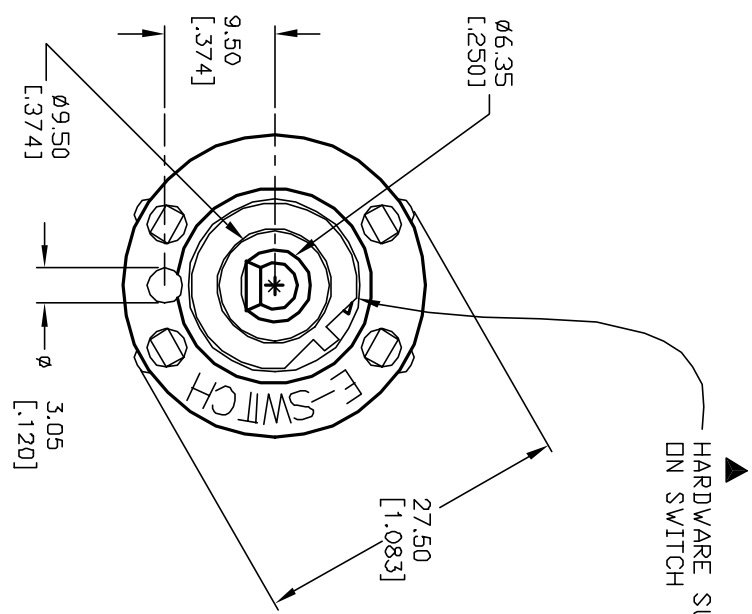


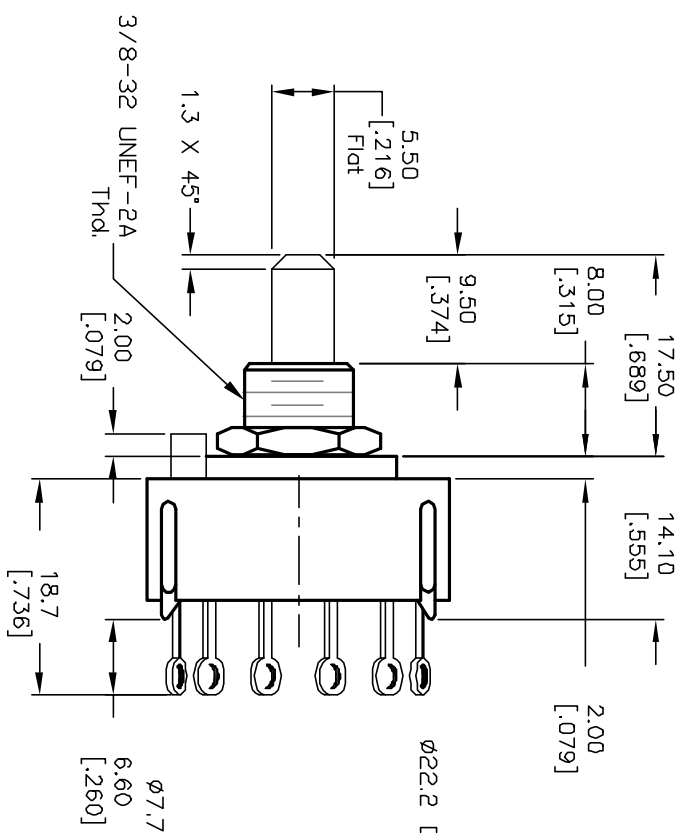
- NOTES:
1. ALL DIMENSION IN MM [INCH]
 2. GENERAL TOLERANCE: X.X=±0.4
X.XX=±0.25
 3. TERM. NOS. FOR REF. ONLY
 4. CONTACT RATING SWITCHING: 150mA, 250V AC/DC
350mA, 110V AC/DC
 5. OPERATING FORCE: 425±100 CM/STANDARD
 6. OPERATING TEMP: -30° to 85°C
 7. CIRCUIT DP: 6 POSITIONS, 30° INDEX, NO STOPS.
 8. DIELECTRIC STRENGTH: 1000V RMS min.@50 Level
 9. DESIGNATE MAJOR FEATURE
 10. HARDWARE SUPPLIED ON SWITCH— SEE BELOW
LOCKRING, LOCKWASHER, & HEX NUT



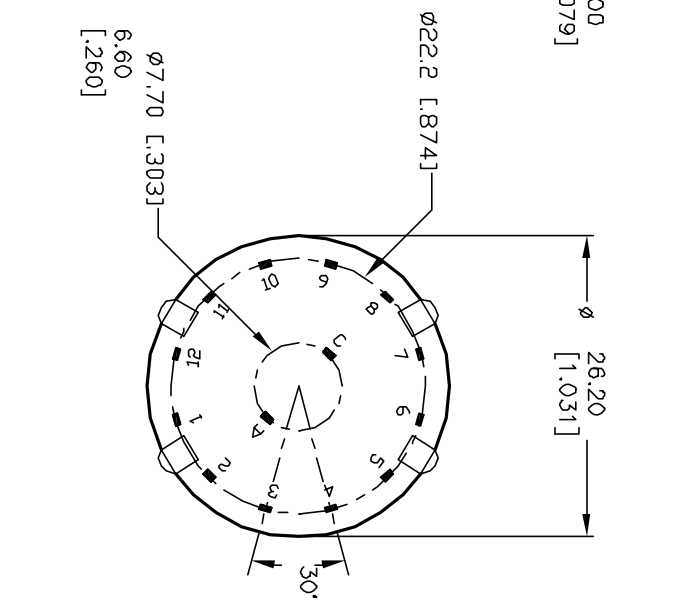
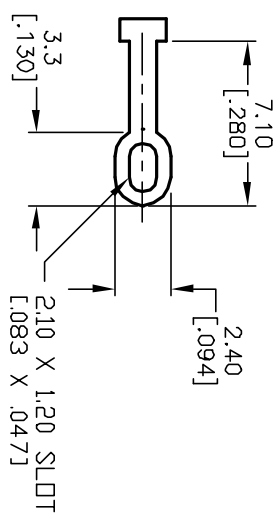
▲ HARDWARE SUPPLIED ON SWITCH



▲



TERMINATION DETAIL
SCALE 2X



REV. A		12969		RELEASED FOR PRODUCTION		3/27/03		AR	
REV.		ECN No.		DESCRIPTION		DATE		CHKD	
THE INFORMATION CONTAINED IN THIS DOCUMENT IS PROPRIETARY TO E-SWITCH AND IS NOT TO BE COPIED OR TRANSFERRED									
TITLE				KC2049.501NLS					
SCALE				1.5:1					
DATE				3/27/03					
DR				AR					
DWG				G510199					
REV				A					

