

Prepared Date: 9/15/2004	 Quanta Display Inc. SPECIFICATION	Doc No. QD15XL09-00
Final Spec.		Doc. REV. : 00
		Issue Date : 9/15/2004
		Page: 27 pages (Include cover page)

Specification for TFT LCD Module

Model No.
QD15XL09 Rev.:01

Customer's Approval

Date _____

By _____

Approved

By _____

These specification sheets are the proprietary product of Quanta Display Inc. ("QDI") and include materials protected under copyright of QDI. Do not reproduce or cause any third party to reproduce them in any form or by any means, electronic or mechanical, for any purpose, in whole or in part, without the express written permission of QDI.

The device listed in these technical literature sheets was designed and manufactured for use in OA equipment.

In case of using the device for applications such as control and safety equipment for transportation (aircraft, trains, automobiles, etc.), rescue and security equipment and various safety related equipment which require higher reliability and safety, take into consideration that appropriate measures such as fail-safe functions and redundant system design should be taken.

Do not use the device for equipment that requires an extreme level of reliability, such as aerospace applications, telecommunication equipment (trunk lines), nuclear power control equipment and medical or other equipment for life support.

QDI assumes no responsibility for any damage resulting from the use of the device, which does not comply with the instructions, and the precautions specified in these technical literature sheets.

Contact and consult with a QDI sales representative for any questions about this device.

1. Application

This specification applies to a color TFT-LCD module, QD15XL09.

2. Overview

This module is a color active matrix LCD module incorporating amorphous silicon TFT (Thin Film Transistor). It is composed of a color TFT-LCD panel; driver ICs, control circuit and power supply circuit and a backlight unit. Graphics and texts can be displayed on a 1024×3×768 dots panel with 262,144 colors by using LVDS (Low Voltage Differential Signaling) to interface and supplying +3.3V DC supply voltage for TFT-LCD panel driving and supply voltage for backlight.

The TFT-LCD panel used for this module has very high aperture ratio. A low-reflection and higher-color-saturation type color filter is also used for this panel. Therefore, high-brightness and high-contrast image, which is suitable for the multimedia use, can be obtained by using this module.

Optimum viewing direction is 6 o'clock.

[Features]

- 1) High aperture panel; high-brightness or low power consumption.
- 2) Brilliant and high contrast image.
- 3) Small footprint and thin shape.
- 4) Light weight.
- 5) 100% SPWG, style B

3. General Specifications

Parameter	Specifications	Unit
Display size	380.2 (15") Diagonal	mm
Active area	304.1 × 228.1	mm
Pixel format	1024 (H) × 768 (V)	Pixel
	(1 pixel = R+G+B dots)	
Pixel pitch	0.297(H) × 0.297 (V)	mm
Pixel configuration	R, G, B vertical stripe	
Display mode	Normally white	
Unit outline dimensions (typ.)*1	317.3(W) × 242.0 (H) × 5.9(D) 6.2 Max	mm
Mass	Max.:570	g
Surface treatment	Haze 0; Hardness 3H; Low reflection	

*1.Note: excluding backlight cables. Outline dimensions are shown in this specification.

4. Input Terminals

4-1. TFT-LCD panel driving

CN1 (1 channel, LVDS signals – NSC/Ti standard and +3.3V DC power supply)

Using connector: FI-XB30Sx-HFxx/FI-X30Sx-HFxx/equivalent (JAE)

Interface Cable Pin Assignments

PIN NO	. SYMBOL	FUNCTION
1	VSS	Ground
2	VDD	Power Supply, 3.3 V (typical)
3	VDD	Power Supply, 3.3 V (typical)
4	V EEDID	DDC 3.3V power
5	NC	Reserved for supplier test point
6	Clk EEDID	DDC Clock
7	DATA EEDID	DDC Data
8	Rin0-	- LVDS differential data input (R0-R5, G0) (odd pixels)
9	Rin0+	+ LVDS differential data input (R0-R5, G0) (odd pixels)
10	VSS	Ground
11	Rin1-	- LVDS differential data input (G1-G5, B0-B1) (odd pixels)
12	Rin1+	+ LVDS differential data input (G1-G5, B0-B1) (odd pixels)
13	VSS	Ground
14	Rin2-	- LVDS differential data input (B2-B5, HS, VS, DE) (odd pixels)
15	Rin2+	+ LVDS differential data input (B2-B5, HS, VS, DE) (odd pixels)
16	VSS	Ground
17	ClkIN-	- LVDS differential clock input (odd pixels)
18	ClkIN+	+ LVDS differential clock input (odd pixels)
19	VSS	Ground
20	NC	No connect
21	NC	No connect
22	NC	No connect
23	NC	No connect
24	NC	No connect
25	NC	No connect
26	NC	No connect
27	NC	No connect
28	NC	No connect
29	NC	No connect
30	NC	No connect

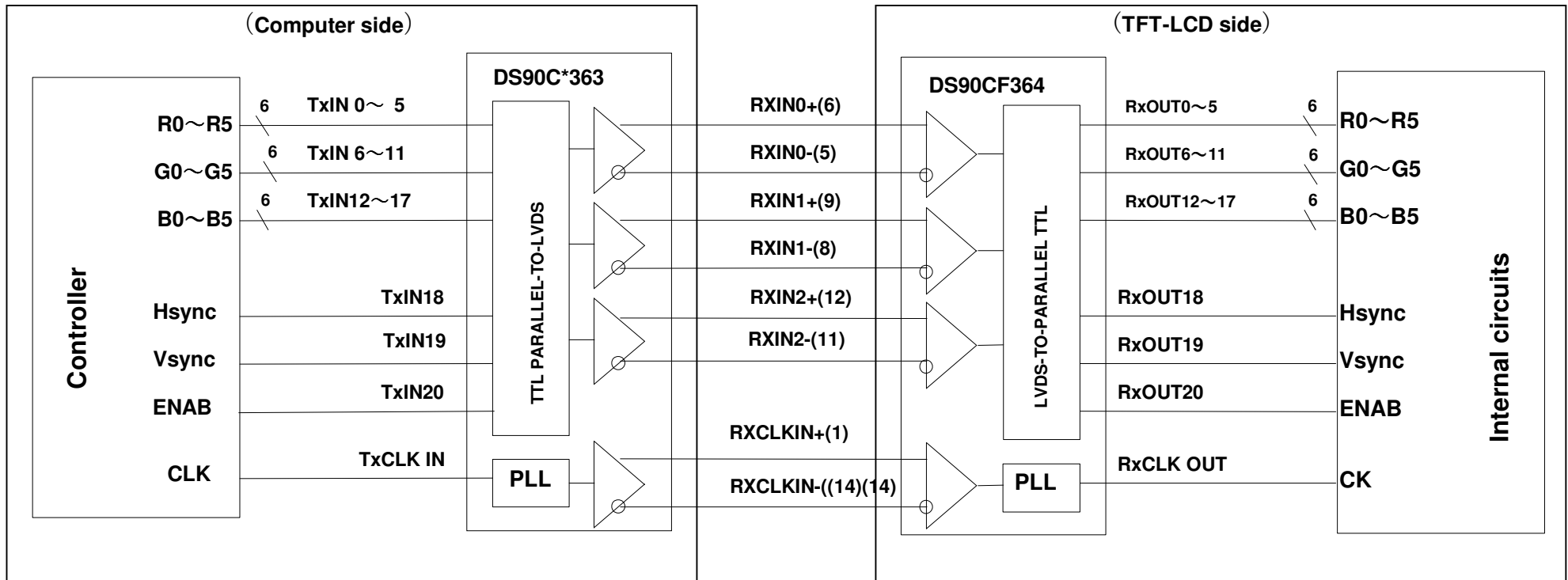
[Note 1] Relation between LVDS signals and actual data shows below section (4-2).

[Note 2] The shielding case is connected with signal GND.

4-2 Interface block diagram

Using receiver : DS90CF364(National semiconductor)

Corresponding Transmitter : DS90C363,DS90C383(National semiconductor)



4-3. Backlight driving
CN2: BHSR-02VS-1(JST)
Mating connector: SM02B-BHSS-1-TB (JST) or 87210-0200

Pin No.	Symbol	Function
1	V _{HIGH}	Power supply for lamp (High voltage side)
2	V _{LOW}	Power supply for lamp (Low voltage side)

5. Absolute Maximum Ratings
5-1 LCD module

Parameter	Symbol	Condition	Ratings	Unit	Remark
Input voltage	V _I	Ta=25°C	-0.3 ~ VDD+0.3	V	【Note1】
+3.3V supply voltage	VDD	Ta=25°C	0 ~ +4	V	
Storage temperature	Tstg	-	-25 ~ +60	°C	【Note2】
Operating temperature (Ambient)	Topa	-	0 ~ +50	°C	

【Note1】 LVDS signals

【Note2】 Humidity : 95%RH Max. at Ta ≤ 40°C.

Maximum wet-bulb temperature at 39°C or less at Ta > 40°C.

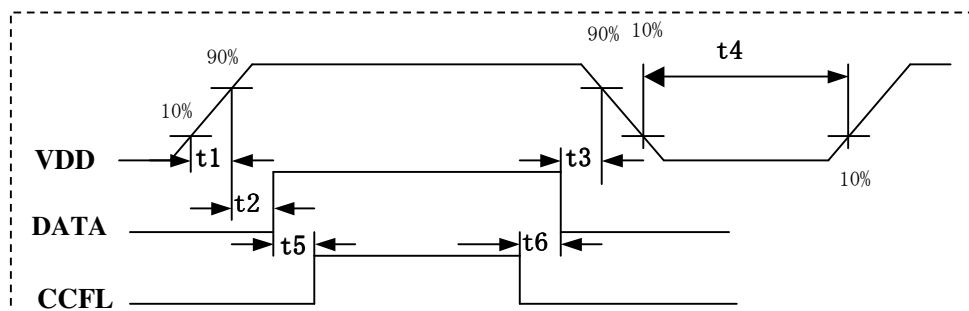
No condensation.

6. Electrical Characteristics
6-1.TFT-LCD panel driving

Ta=25°C

Parameter		Symbol	Min.	Typ.	Max.	Unit	Remark
VDD	Supply voltage	VDD	+3.0	+3.3	+3.6	V	【Note2】
	Current dissipation	IDD	-	420	700	mA	【Note3】
Permissible input ripple voltage		V _{RP}	-	-	100	mV p-p	V _{CC} =+3.3V
Differential input Threshold voltage	High	V _{TH}	-	-	+100	mV	V _{CM} =+1.2V 【Note1】
	Low	V _{TL}	-100	-	-	mV	
Terminal resistor		R _T	-	100	-	Ω	Differential input
Rush current		I _{RUSH}			1.5	A	Rise time 470uS

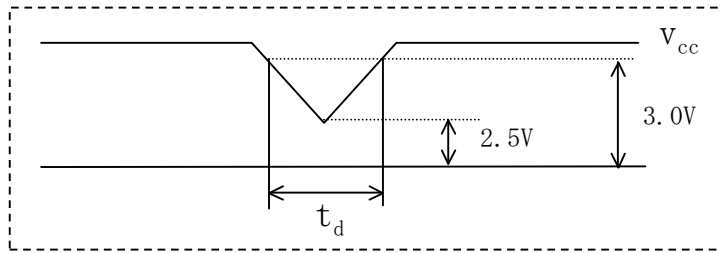
【Note1】 V_{CM} : Common mode voltage of LVDS driver.

【Note2】
On-off conditions for supply voltage
 $0 < t_1 \leq 10 \text{ ms}$
 $0 < t_2 \leq 50 \text{ ms}$
 $0 < t_3 \leq 50 \text{ ms}$
 $400 \text{ ms} \leq t_4$
 $200 \text{ ms} \leq t_5$
 $200 \text{ ms} \leq t_6$


Vcc-dip conditions

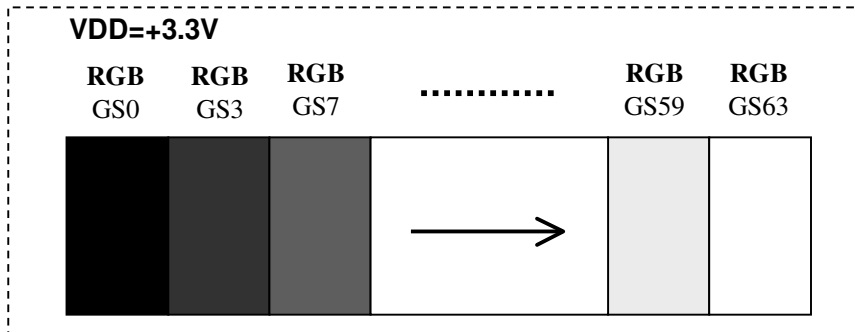
1) $2.5\text{ V} \leq V_{cc} < 3.0\text{ V}$
 $t_d \leq 10\text{ ms}$

2) $V_{cc} < 2.5\text{ V}$



Vcc-dip conditions should also follow the On-off conditions for supply voltage

[Note3] Typical current situation : 16-gray-bar pattern.



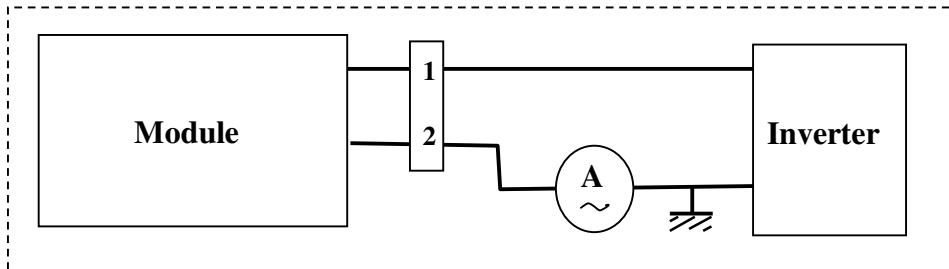
6-2. Backlight driving

The backlight system is an edge-lighting type with single CCFT (Cold Cathode Fluorescent Tube).

The characteristics of the lamp are shown in the following table.

Parameter	Symbol	Min.	Typ.	Max.	Unit	Remark
Lamp current range	I_L	3.0	6.0	7.0	mArms	【Note1】
Lamp voltage	V_L	594	660	726	Vrms	
Lamp power consumption	P_L	—	3.96	—	W	$I_L=6.0\text{mA}$ 【Note2】
Lamp frequency	F_L	50	55	60	kHz	【Note3】
Kick-off voltage	V_s	—	—	1350	Vrms	$T_a=25^\circ\text{C}$
		—	—	1500	Vrms	$T_a=0^\circ\text{C}$ 【Note4】
Lamp life time	L_L	10000	—	—	hour	【Note5】 $I_L=6.0\text{mA}$

【Note1】 Lamp current is measured with current meter for high frequency as shown below.



【Note2】 Calculated Value for reference ($I_L \times V_L$)

【Note3】 Lamp frequency may produce interference with horizontal synchronous frequency, and this may cause beat on the display. Therefore lamp frequency shall be detached as much as possible from the horizontal synchronous frequency and from the harmonics of horizontal synchronous to avoid interference.

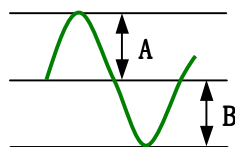
【Note4】 The voltage above this value should be applied to the lamp for more than 1 second to start-up. Otherwise the lamp may not be turned on.

【Note5】 Lamp life time is defined as the time when either ① or ② occurs in the continuous operation under the condition of $T_a = 25^\circ\text{C}$ and $I_L = 6.0 / 7.0$ mArms.

① Brightness becomes 50 % of the original value under standard condition.

② Kick-off voltage at $T_a = 0^\circ\text{C}$ exceeds maximum value.

【Note6】 Please use the rate of unsymmetrical of a lamplighting waveform (lamp current waveform and lamp voltage waveform) at 5% or less.



$$\text{Unsymmetrical ratio: } (|A|-|B|) / |C| \leq 5\%$$

A: Lamp current or lamp voltage o-p of positive side

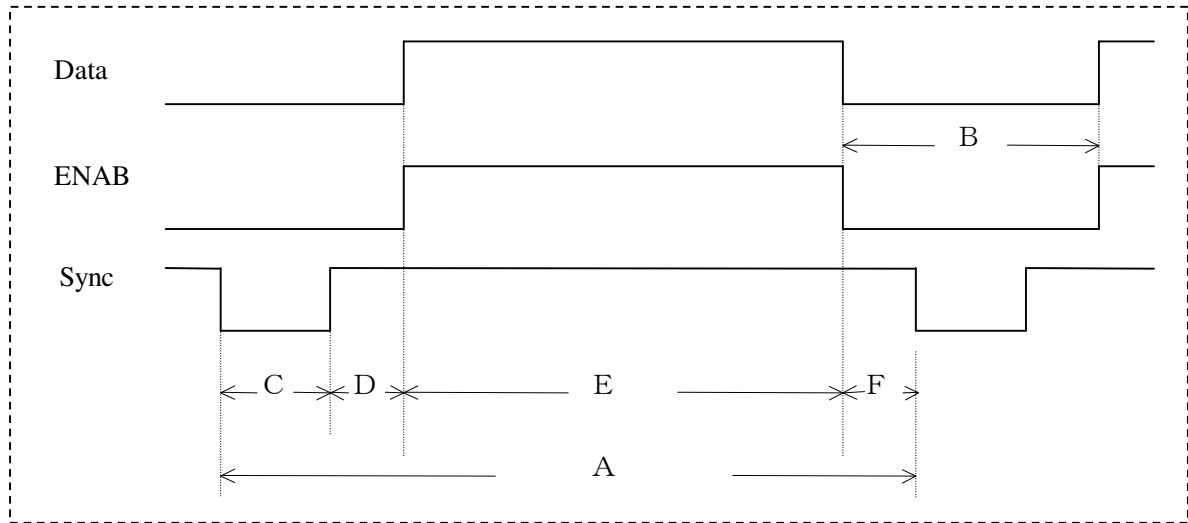
B: Lamp current or lamp voltage o-p of negative side

C: Max.(A,B) this is bigger in A or B

Note) The performance of the backlight, for example life time or brightness, is much influenced by the characteristics of the DC-AC inverter for the lamp. When you design or order the inverter, please make sure that a poor lighting caused by the mismatch of the backlight and the inverter (miss-lighting, flicker, etc.) never occur. When you confirm it, the module should be operated in the same condition as it is installed in your instrument.

7. Timing characteristics of LCD module input signals
7-1. Timing characteristics

(This is specified at digital outputs of LVDS driver.)



(Vertical)

Item (symbol)	Min.	Typ.	Max.	Unit	Remark
Vsync cycle (T_{VA})	—	16.667	—	ms	Negative
	803	806	966	line	
Blanking period(T_{VB})	35	38	198	line	
Sync pulse width (T_{VC})	4	6	33	line	
Back porch (T_{VD})	2	29	31	line	
Sync pulse width + Back porch ($T_{VC}+T_{VD}$)	35	35	35	line	
Active display area (T_{VE})	768	768	768	line	
Front porch (T_{VF})	0	3	163	line	

(Horizontal)

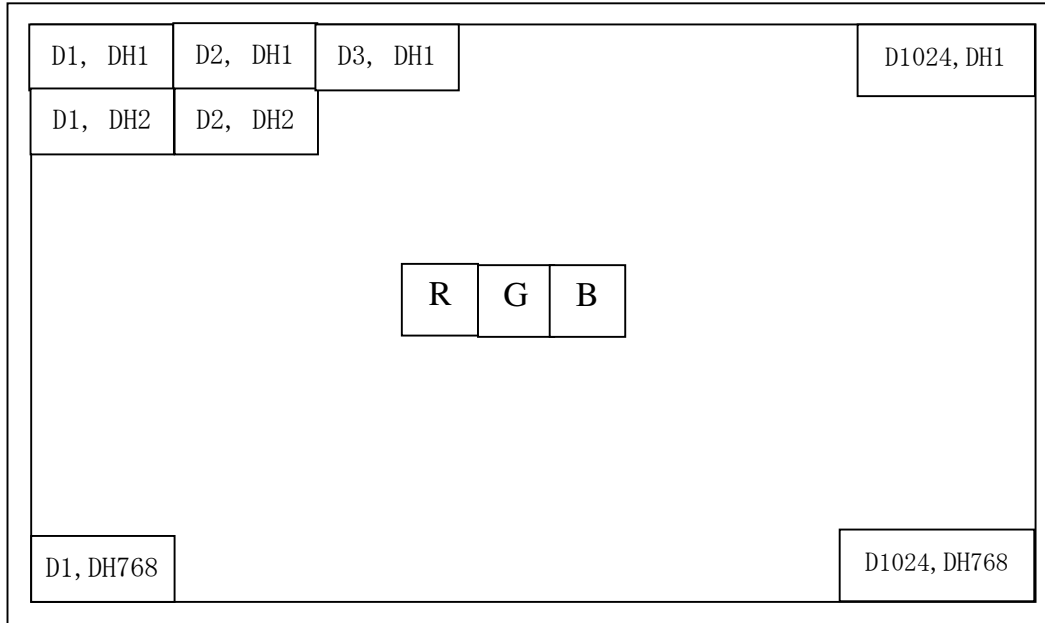
Item (symbol)	Min.	Typ.	Max.	Unit	Remark
Hsync cycle (T_{HA})	19.2	20.677	—	μs	Negative
	1260	1344	1408	clock	
Blanking period (T_{HB})	236	320	384	clock	
Sync pulse width (T_{HC})	8	136	320	clock	
Back porch (T_{HD})	0	160	312	clock	
Sync pulse width + Back porch ($T_{HC} + T_{HD}$)	228	296	320	clock	
Active display area (T_{HE})	1024	1024	1024	clock	
Front porch (T_{HF})	8	24	144	clock	

(Clock)

Item	Min.	Typ.	Max.	Unit	Remark
Frequency	—	65.0	67.0	MHz	[Note1]

Note) In case of lower frequency, the deterioration of display quality, flicker etc., may be occurred.

7-2. Input Data Signals and Display Position on the screen



8. Input Signals, Basic Display Colors and Gray Scale of Each Color

	Colors & Gray scale	Data signal																		
		Gray Scale	R0	R1	R2	R3	R4	R5	G0	G1	G2	G3	G4	G5	B0	B1	B2	B3	B4	B5
Basic Color	Black	—	0	0	0	0	0	0	0	0	0	0	0	0	0	0	0	0	0	0
	Blue	—	0	0	0	0	0	0	0	0	0	0	0	0	1	1	1	1	1	1
	Green	—	0	0	0	0	0	0	1	1	1	1	1	1	0	0	0	0	0	0
	Cyan	—	0	0	0	0	0	0	1	1	1	1	1	1	1	1	1	1	1	1
	Red	—	1	1	1	1	1	1	0	0	0	0	0	0	0	0	0	0	0	0
	Magenta	—	1	1	1	1	1	1	0	0	0	0	0	0	1	1	1	1	1	1
	Yellow	—	1	1	1	1	1	1	1	1	1	1	1	1	0	0	0	0	0	0
	White	—	1	1	1	1	1	1	1	1	1	1	1	1	1	1	1	1	1	1
Gray Scale of Red	Black	GS0	0	0	0	0	0	0	0	0	0	0	0	0	0	0	0	0	0	0
	↑	GS1	1	0	0	0	0	0	0	0	0	0	0	0	0	0	0	0	0	0
	Darker	GS2	0	1	0	0	0	0	0	0	0	0	0	0	0	0	0	0	0	0
	↑	↓				↓				↓				↓				↓		
	↓	↓				↓				↓				↓				↓		
	Brighter	GS61	1	0	1	1	1	1	0	0	0	0	0	0	0	0	0	0	0	0
	↓	GS62	0	1	1	1	1	1	0	0	0	0	0	0	0	0	0	0	0	0
	Red	GS63	1	1	1	1	1	1	0	0	0	0	0	0	0	0	0	0	0	0
Gray Scale of Green	Black	GS0	0	0	0	0	0	0	0	0	0	0	0	0	0	0	0	0	0	0
	↑	GS1	0	0	0	0	0	0	1	0	0	0	0	0	0	0	0	0	0	0
	Darker	GS2	0	0	0	0	0	0	0	1	0	0	0	0	0	0	0	0	0	0
	↑	↓				↓				↓				↓				↓		
	↓	↓				↓				↓				↓				↓		
	Brighter	GS61	0	0	0	0	0	0	1	0	1	1	1	1	0	0	0	0	0	0
	↓	GS62	0	0	0	0	0	0	0	1	1	1	1	1	0	0	0	0	0	0
	Green	GS63	0	0	0	0	0	0	1	1	1	1	1	1	0	0	0	0	0	0
Gray Scale of Blue	Black	GS0	0	0	0	0	0	0	0	0	0	0	0	0	0	0	0	0	0	0
	↑	GS1	0	0	0	0	0	0	0	0	0	0	0	0	1	0	0	0	0	0
	Darker	GS2	0	0	0	0	0	0	0	0	0	0	0	0	0	1	0	0	0	0
	↑	↓				↓				↓				↓				↓		
	↓	↓				↓				↓				↓				↓		
	Brighter	GS61	0	0	0	0	0	0	0	0	0	0	0	0	1	0	1	1	1	1
	↓	GS62	0	0	0	0	0	0	0	0	0	0	0	0	0	1	1	1	1	1
	Blue	GS63	0	0	0	0	0	0	0	0	0	0	0	0	1	1	1	1	1	1

0 : Low level voltage, 1 : High level voltage

Each basic color can be displayed in 64 gray scales from 6 bit data signals. According to the combination of total 18 bit data signals, the 262,144-color display can be achieved on the screen.

9.EDID data structure

This is the EDID (Extended Display Identification Data) data format to support displays as defined in the VESA Plug & Display.

Byte (decimal)	Byte (hex)	Field Name and Comments	Value (hex)	Value (binary)
Header				
0	0	Header	0	0
1	1	Header	FF	11111111
2	2	Header	FF	11111111
3	3	Header	FF	11111111
4	4	Header	FF	11111111
5	5	Header	FF	11111111
6	6	Header	FF	11111111
7	7	Header	0	0
Vender/Product ID / EDID Version				
8	8	EISA manufacturer code=QDS	44	01000100
9	9	EISA manufacturer code(Compressed ASCII)	93	10010011
10	0A	Product code (19) LSB	13	00010011
11	0B	Product code MSB	00	00000000
12	0C	ID (32bit) Serial No (zero if not used)	00	00000000
13	0D	ID (32bit) Serial No (zero if not used)	00	00000000
14	0E	ID (32bit) Serial No (zero if not used)	00	00000000
15	0F	ID (32bit) Serial No (zero if not used)	00	00000000
16	10	Week of manufacture	xx	xxxxxxxx
17	11	Year of manufacture – 1990 (ex. 2003-1990=13)	xx	xxxxxxxx
18	12	EDID structure version # = 1	01	00000001
19	13	EDID revision # = 3	03	00000011
Display Parameter				
20	14	Video I/P definition = Digital I/P	80	10000000
21	15	Max H image size (cm) =30cm	1E	00011110
22	16	Max V image size (cm) =23cm	17	00010111
23	17	Display gamma (2.2×100) –100	78	01111000
24	18	Features (no DPMS,Active off,RGB,timing BLK1)	0A	00001010
Panel Color Coordinates				
25	19	Red/Green Low bits (RxRy/GxGy)	0B	00001011
26	1A	Blue/White Low bits (BxBy/WxWy)	C0	11000000
27	1B	Red X Rx=0.555	8E	10001110
28	1C	Red Y Ry=0.317	51	01010001
29	1D	Green X Gx=0.299	4C	01001100
30	1E	Green Y Gy=0.566	90	10010000

31	1F	Blue X $B_x=0.152$	26	00100110
32	20	Blue Y $B_y=0.137$	23	00100011
33	21	White X $W_x=0.313$	50	01010000
34	22	White Y $W_y=0.329$	54	01010100
Established Timings				
35	23	Established timings 1 (00h if not used)	00	00000000
36	24	Established timings 2 (1024×768@60Hz)	08	00001000
Standard Timing ID				
37	25	Manufacturer's timings(00h if not used)	00	00000000
38	26	Standard timing ID1 (01h if not used)	01	00000001
39	27	Standard timing ID1 (01h if not used)	01	00000001
40	28	Standard timing ID2 (01h if not used)	01	00000001
41	29	Standard timing ID2 (01h if not used)	01	00000001
42	2A	Standard timing ID3 (01h if not used)	01	00000001
43	2B	Standard timing ID3 (01h if not used)	01	00000001
44	2C	Standard timing ID4 (01h if not used)	01	00000001
45	2D	Standard timing ID4 (01h if not used)	01	00000001
46	2E	Standard timing ID5 (01h if not used)	01	00000001
47	2F	Standard timing ID5 (01h if not used)	01	00000001
48	30	Standard timing ID6 (01h if not used)	01	00000001
49	31	Standard timing ID6 (01h if not used)	01	00000001
50	32	Standard timing ID7 (01h if not used)	01	00000001
51	33	Standard timing ID7 (01h if not used)	01	00000001
52	34	Standard timing ID8 (01h if not used)	01	00000001
53	35	Standard timing ID8 (01h if not used)	01	00000001
Timing Descriptor #1				
54	36	Pixel Clock(65M)/10,000 (LSB)	64	01100100
55	37	Pixel Clock(65M)/10,000 (MSB)	19	00011001
56	38	Horizontal Active=1024 pixels (lower 8 bits)	00	00000000
57	39	Horizontal Blanking=320 pixels (lower 8bits)	40	01000000
58	3A	Horizontal Active: Horizontal Blanking (upper 4:4 bits)	41	01000001
59	3B	Vertical Active =768 lines (lower 8bits)	00	00000000
60	3C	Vertical Blanking=38 lines (lower 8bits)	26	00100110
61	3D	Vertical Active : Vertical Banking (upper 4:4 bits)	30	00110000
62	3E	Horizontal Sync.Offset =24 pixels	18	00011000
63	3F	Horizontal Sync.Width=136 pixels	88	10001000
64	40	Vertical Sync. Offset: lines Sync. Width	36	00110110
65	41	Horizontal/Vertical Sync Offset/Width upper 2 bits	00	00000000
66	42	Horizontal Image Size=304.13mm (lower 8 bits)	30	00110000



67	43	Vertical Image Size=228.1mm (lower 8 bits)	E4	11100100
68	44	Horizontal : Vertical Image Size (upper 4:4 bits)	10	00010000
69	45	Horizontal Border (zero for internal LCD)	00	00000000
70	46	Vertical Border (zero for internal LCD)	00	00000000
71	47	Non-interlaced,Normal,no stereo,Separate sync, H/V pol negatives	18	00011000
Timing Descriptor #2 MANUFACTURER SPECIFIED RANGE TIMING Descriptor				
72	48	Flag	00	00000000
73	49	Flag	00	00000000
74	4A	Flag	00	00000000
75	4B	Data Type Tag : Descriptor Defined by Manufacturer	00	00000000
76	4C	Flag	00	00000000
77	4D	Value=HSPW min/2 (pixel clks)	04	00000100
78	4E	Value=HSPW max/2 (pixel clks)	C0	11000000
79	4F	Value=Thbp min/2 (pixel clks)	78	01111000
80	50	Value=Thbp max/2 (pixel clks)	C0	11000000
81	51	Value=VSPW min/2 (line pulses)	02	00000010
82	52	Value=VSPW max/2 (line pulses)	12	00010010
83	53	Value=Tvbp min/2 (line pulses)	12	00010010
84	54	Value=Tvbp max/2 (line pulses)	12	00010010
85	55	Thp min=value*2+HA pixel clks (pixel clks)	76	01110110
86	56	Thp max=value*2+HA pixel clks (pixel clks)	C0	11000000
87	57	Tvp min=value*2+VA lines	12	00010010
88	58	Tvp max=value*2+VA lines	63	01100011
89	59	Module revision	00	00000000
Timing Descriptor #3 : ASCII String : Supplier Name				
90	5A	Flag	00	00000000
91	5B	Flag	00	00000000
92	5C	Flag	00	00000000
93	5D	Data Type Tag : Module serial number	FE	11111110
94	5E	Flag	00	00000000
95	5F	Module serial number	xx	XXXXXXXX
96	60	Module serial number	xx	XXXXXXXX
97	61	Module serial number	xx	XXXXXXXX
98	62	Module serial number	xx	XXXXXXXX
99	63	Module serial number	xx	XXXXXXXX
100	64	Module serial number	xx	XXXXXXXX
101	65	Module serial number	xx	XXXXXXXX
102	66	Module serial number	xx	XXXXXXXX
103	67	Module serial number	xx	XXXXXXXX

104	68	Module serial number	XX	XXXXXXXX
105	69	Module serial number	XX	XXXXXXXX
106	6A	Module serial number	XX	XXXXXXXX
107	6B	Module serial number	XX	XXXXXXXX
Timing Descriptor #4 ASCII String : Supplier P/N				
108	6C	Flag	00	00000000
109	6D	Flag	00	00000000
110	6E	Flag	00	00000000
111	6F	Data Type Tag : Module Name	FE	11111110
112	70	Flag	00	00000000
113	71	Q	51	01010001
114	72	D	44	01000100
115	73	1	31	00110001
116	74	5	35	00110101
117	75	X	58	01011000
118	76	L	4C	01001100
119	77	0	30	00110000
120	78	9	39	00111001
121	79	Product revision (ex :1)	31	00110001
122	7A	Terminate with ASCII code 0Ah	0A	00001010
123	7B	Pad field with ASCII code 20h	20	00100000
124	7C	Pad field with ASCII code 20h	20	00100000
125	7D	Pad field with ASCII code 20h	20	00100000
126	7E	Extension flag	00	00000000
127	7F	Checksum	XX	XXXXXXXX

Note : XX means variable values generated by QDI production system for EEDID file based on module's information.

10. Optical Characteristics
Ta=25°C, Vcc=+3.3V

Parameter		Symbol	Condition	Min.	Typ.	Max.	Unit	Remark
Viewing Angle Range	Horizontal	θ_{21}, θ_{22}	CR>10	45	—	—	Deg.	【Note1,4】
	Vertical	θ_{11}		15	—	—	Deg.	
		θ_{12}		35	—	—	Deg.	
Contrast ratio		C R n	$\theta = 0^\circ$	300	350	—		【Note2,4】
Response Time	Rise	Tr	$\theta = 0^\circ$	—	8	—	ms	【Note3,4】
	Decay	Td		—	17	—	ms	
Chromaticity of White		Wx Wy		0.283 0.299	0.313 0.329	0.343 0.359		【Note4】
Chromaticity of Red		Rx Ry		0.525 0.287	0.555 0.317	0.585 0.347		
Chromaticity of Green		Gx Gy		0.269 0.536	0.299 0.566	0.329 0.596		
Chromaticity of Blue		Bx By		0.122 0.107	0.152 0.137	0.182 0.167		
Luminance of white 【Note4】		Y L 2	Center	250	280	—	Cd/m ²	IL = 6.0 mArms FL=55kHz
White Uniformity		δW	5 Points	—	—	1.4		【Note5】

The optical characteristics shall be measured in a dark room or equivalent state with the method shown in Fig.3.

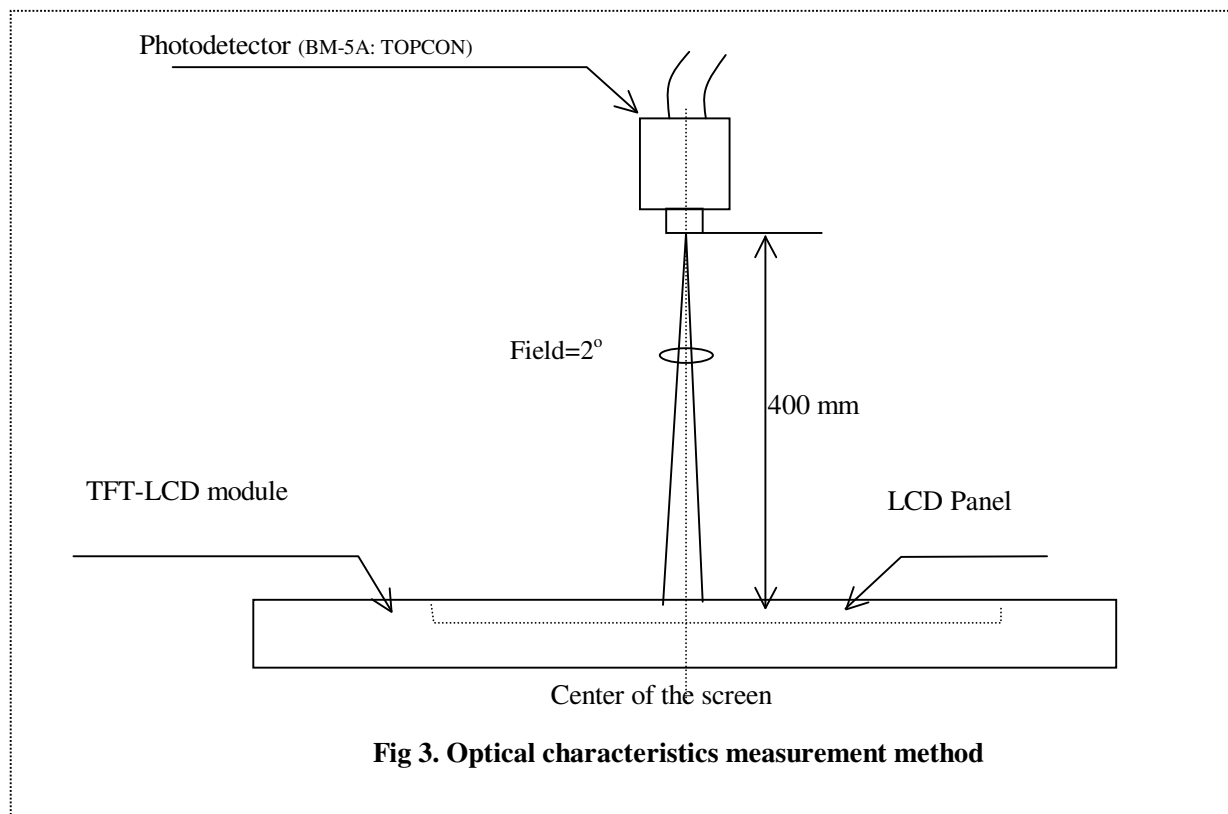
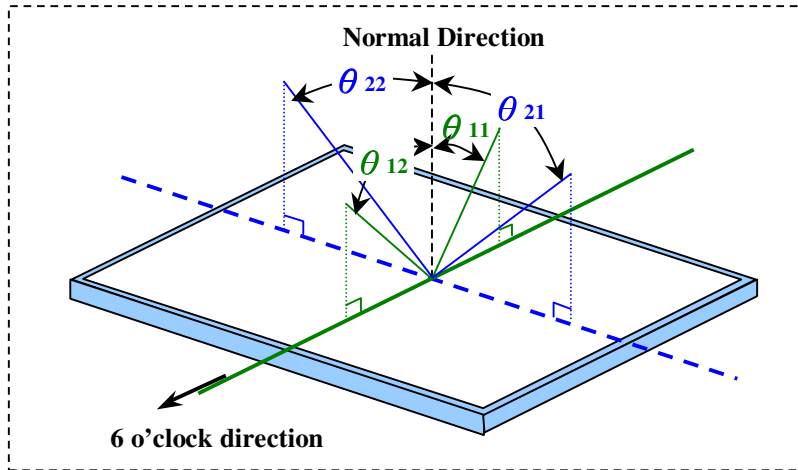


Fig 3. Optical characteristics measurement method

[Note1] Definitions of viewing angle range:



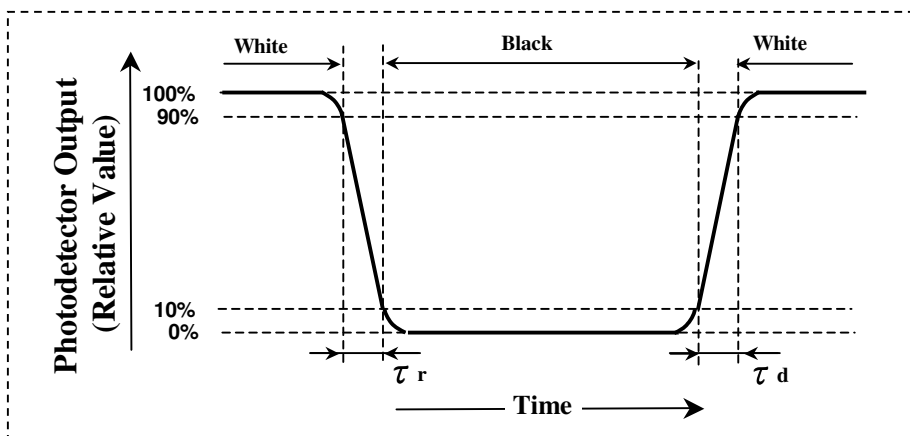
[Note2] Definition of contrast ratio:

The contrast ratio is defined as the following.

$$\text{Contrast Ratio (CR)} = \frac{\text{Luminance (brightness) with all pixels white}}{\text{Luminance (brightness) with all pixels black}}$$

[Note3] Definition of response time:

The response time is defined as the following figure and shall be measured by switching the input signal for "black" and "white" .

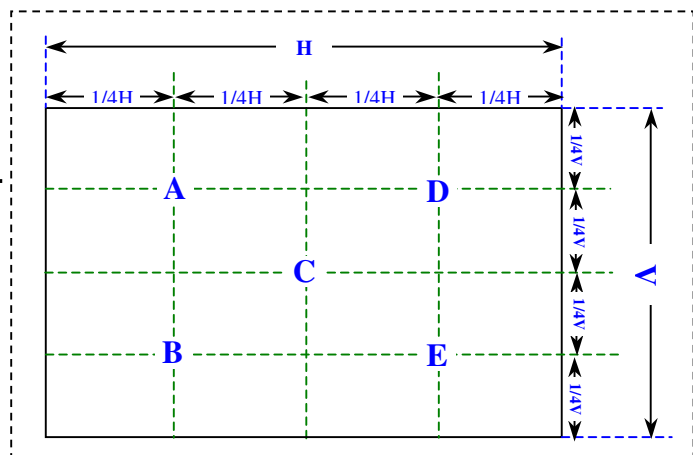


[Note4] This shall be measured at center of the screen.

[Note5] Definition of white uniformity:

$$\delta_w = \frac{\text{Maximum Luminance of 5 points}}{\text{Minimum Luminance of 5 points}}$$

*1) 5 Points are A,B,C,D,E



11. Display Quality

The display quality of the color TFT-LCD module shall be in compliance with the Incoming Inspection Standard.

12. Handling Precautions

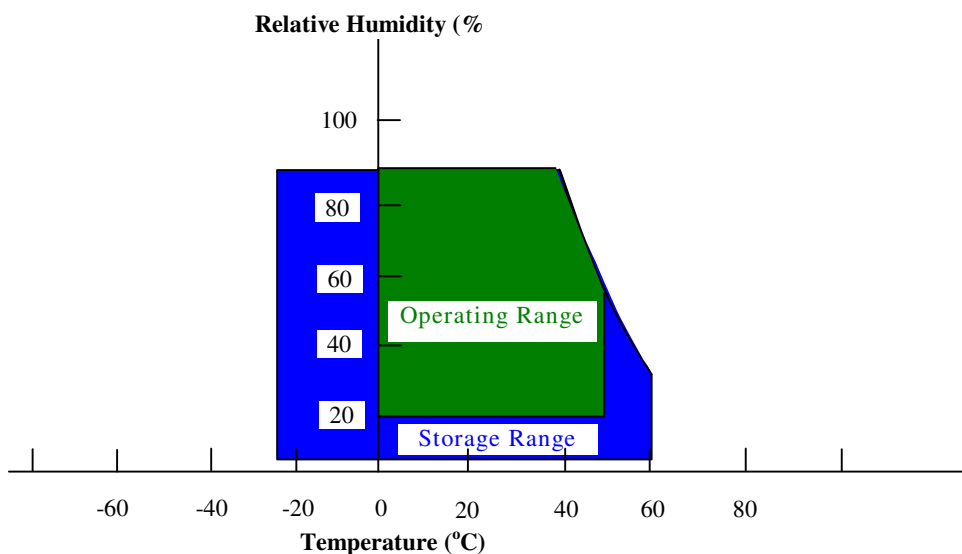
- a) Be sure to turn off the power supply when inserting or disconnecting the cable.
- b) Be sure to design the cabinet so that the module can be installed without any extra stress such as warp or twist.
- c) Since the front polarizer is easily damaged, pay attention not to scratch it.
- d) Wipe off water drop immediately. Long contact with water may cause discoloration or spots.
- e) When the panel surface is soiled, wipe it with absorbent cotton or other soft cloth.
- f) Since the panel is made of glass, it may break or crack if dropped or bumped on hard surface. Handle with care.
- g) Since CMOS LSI is used in this module, take care of static electricity and injure the human earth when handling.
- h) Observe all other precautionary requirements in handling components.
- i) This module has its circuitry PCBs on the rear side and should be handled carefully in order not to be stressed.
- j) Laminated film is attached to the module surface to prevent it from being scratched. Peel the film off slowly just before the use with strict attention to electrostatic charges. Ionized air shall be blown over during the action. Blow off the 'dust' on the polarizer by using an ionized nitrogen gun, etc..
- K) Mounting screw hole can stand torque 1.3~1.5 Kgf-cm.

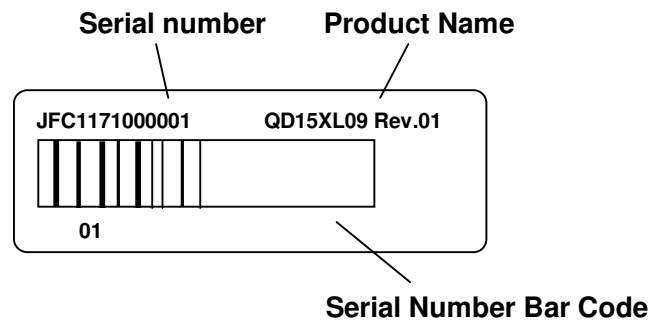
13. Reliability test items

No.	Test item	Conditions
1	High temperature storage test	Ta = 60°C 240h
2	Low temperature storage test	Ta = -25°C 240h
3	High temperature & High humidity operation test	Ta = 40°C ; 90 %RH 240h ; (As remark #3) (No condensation)
4	High temperature operation test	Ta = 50°C 240h (The panel temp. must be less than 60°C)
5	Low temperature operation test	Ta = 0°C 240h
6	Vibration test (non- operating)	Frequency: 10~500Hz, 1.5G, Test period : 3 hours (1 hour for each direction of X,Y,Z)
7	Shock test (Non- operating)	Max. Gravity: 50G Pulse width: 11 ms, Half sine wave Direction : ±X,±Y,±Z Once for each direction.

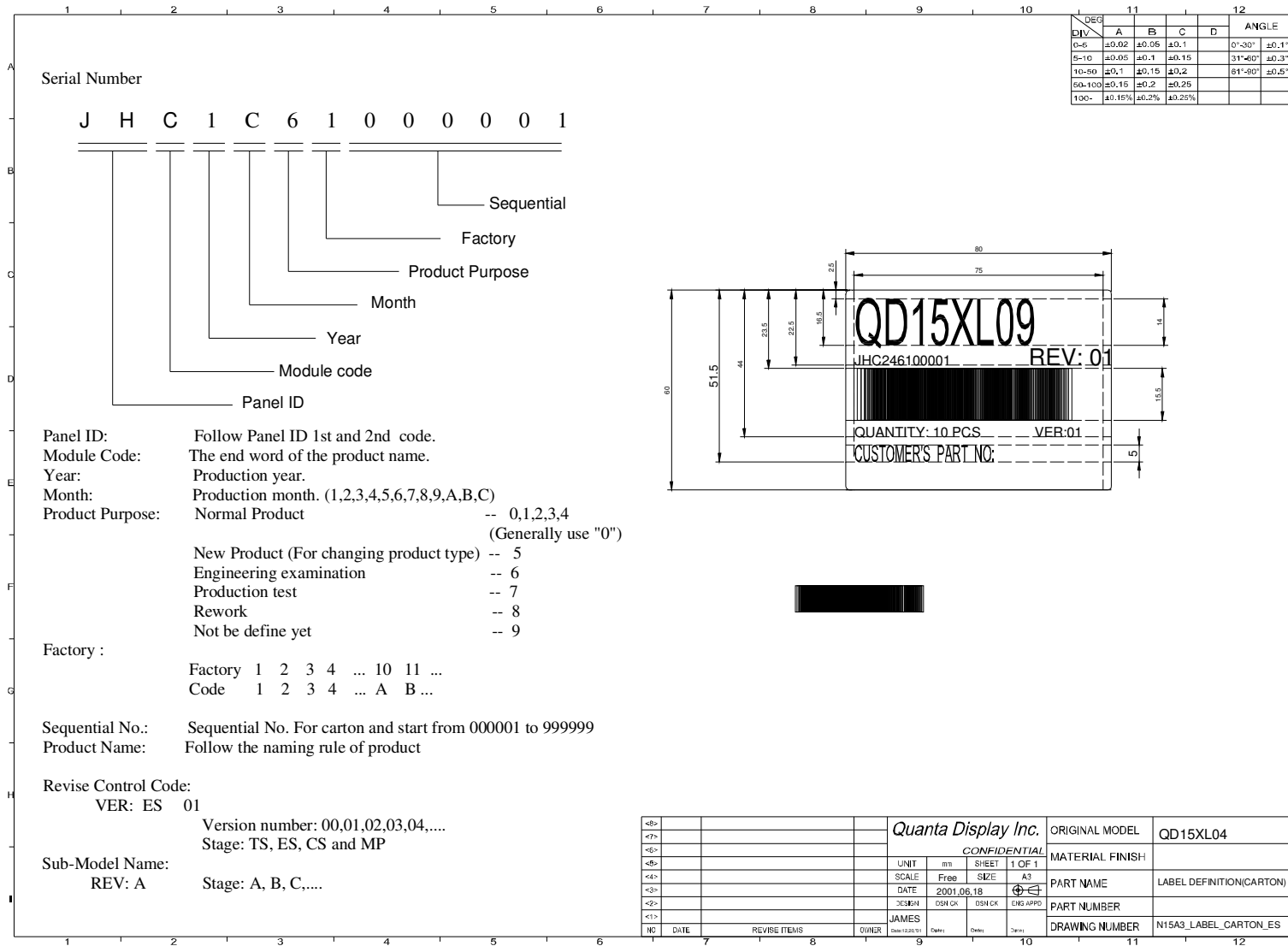
Remark:

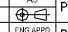
- (1) A failure is defined as the appearance of pixel failed on any color layer or the appearance of horizontal or vertical lines, bars etc.
- (2) Low temperature storage “ Panel must return to operating temperature range prior to activation.”
- (3) Hi temperature / Humidity test
Max. wet-bulb temperature is less than 39°C ; At glass temperature high than 40 °C.
Temperature and relative humidity range is shown in the figure below.

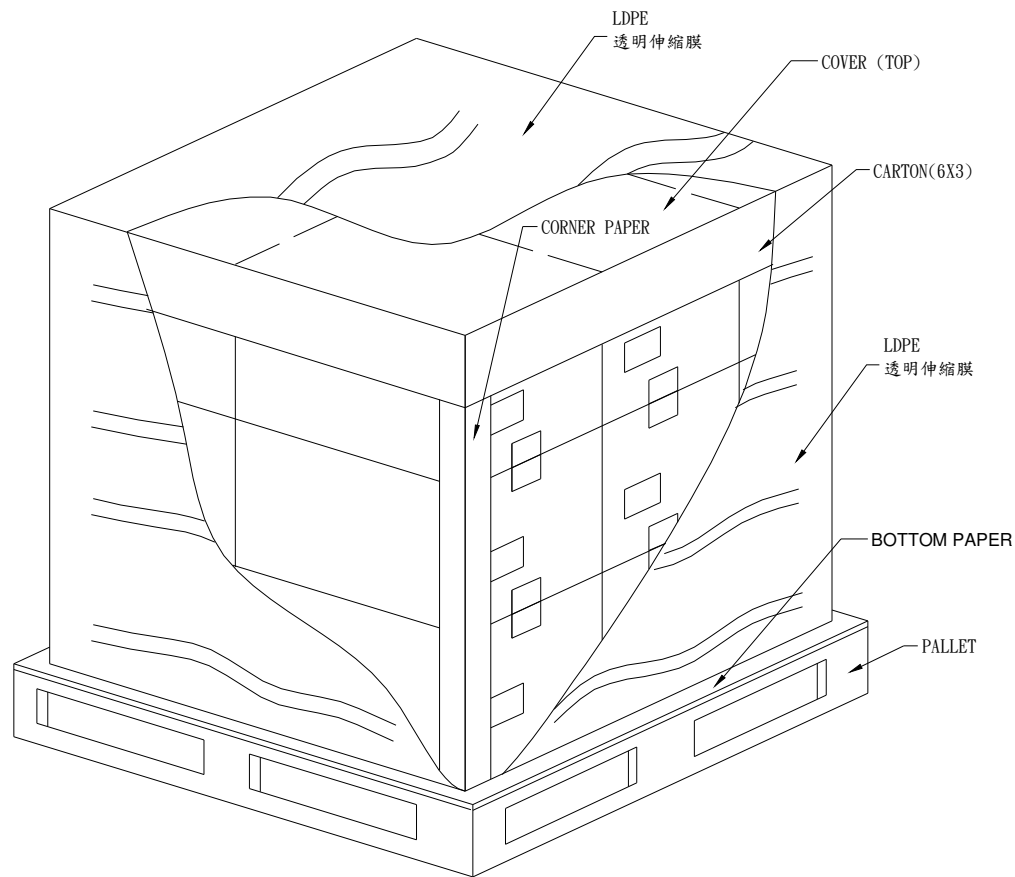


14. Others**1) Lot No. Label:**

- 2) Adjusting volume has been set optimally before shipment, so do not change any adjusted value. If adjusted value is changed, the specification may not be satisfied.
- 3) Disassembling the module can cause permanent damage and should be strictly avoided.
- 4) Please be careful since image retention may occur when a fixed pattern is displayed for a long time.
- 5) If any problem occurs in relation to the description of this specification, it shall be resolved through discussion with spirit of cooperation.

15. Carton Label.


Quanta Display Inc.				ORIGINAL MODEL	QD15XL04
<i>CONFIDENTIAL</i>				MATERIAL FINISH	
UNIT	mm	SHEET	1 OF 1	PART NAME	LABEL DEFINITION(CARTON)
SCALE	Free	SIZE	A3	PART NUMBER	
DATE	2001.06.18			DRAWING NUMBER	N15A3_LABEL_CARTON_ES
DESIGN	DSH CK	DSH CK	ENG APPD		
NAME	JAMES				
DATE	2001.12.20	OWNER	DATE	DATE	DATE

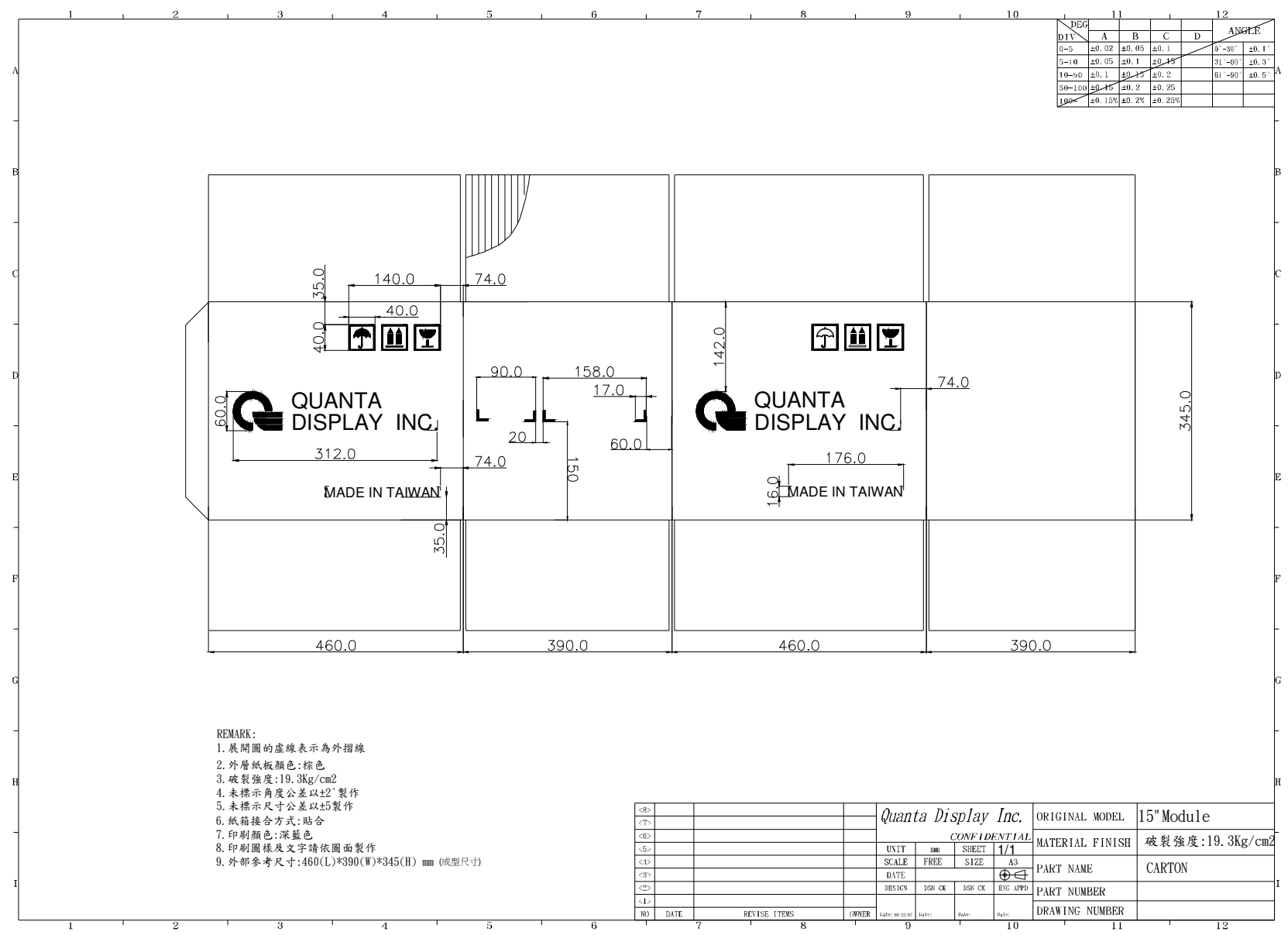


PRODUCTION	15.1" LCD MODULE
CARTON OUTLINE	460(L)x390(W)x345(H) mm
CARTON WEIGHT	3 kg
PALLET OUTLINE	1200(L)x1000(W)x120(H)mm
PALLET WEIGHT	20 kg
TOP COVER	1200(L)x950(W)x100(H)mm, 8t
BOTTOM PAPER	1212(L)x1004(W), 8t
CORNER PAPER	50(L)x50(W)x1000(H)mm, 4t (4x)
COVER WEIGHT	10 kg
TOTAL OUTLINE	1200(L)x1000(W)x1171(H)mm
TOTAL WEIGHT	285.6 kg
MODULE/CARTON	20 pcs
MODULE/STACK	360 pcs
VOLUME	1.405 m ³

Note:

1. LDPE protective film should be packed the whole carton 2 layers.
2. Side protective film should be covered by top protective film to prevent rain drop.

<8>				<i>Quanta Display Inc.</i>				ORIGINAL MODEL	
<7>				<i>CONFIDENTIAL</i>				MATERIAL FINISH	
<6>				UNIT	mm	SHEET		PART NAME	STACK-AIR
<5>				SCALE	free	SIZE	A4		
<4>				DATE				PART NUMBER	
<3>				DESIGN	DSN CK	DSN CK	ENG APPD		
<2>								DRAWING NUMBER	
<1>									
NO	DATE	REVISE ITEMS	OWNER	Rev: 01.02.05	Date:	Date:	Date:		



- REMARK:
- 展開圖的虛線表示為外摺線
 - 外層紙板顏色:棕色
 - 破裂強度:19.3Kg/cm²
 - 未標示角度公差以±2°製作
 - 未標示尺寸公差以±5製作
 - 紙箱接合方式:貼合
 - 印刷顏色:深藍色
 - 印刷圖樣及文字請依圖面製作
 - 外部參考尺寸:460(L)*390(W)*345(H) mm (成型尺寸)

				Quanta Display Inc.		ORIGINAL MODEL	15" Module
				CONFIDENTIAL		MATERIAL FINISH	破裂強度:19.3Kg/cm ²
<5>	UNIT	mm	SHEET	1/1			
<4>	SCALE	FREE	SIZE	A3	PART NAME	CARTON	
<3>	DATE						
<2>	DESIGN	DSR. CK	DSR. CK	ENG. APPD.	PART NUMBER		
<1>	NO	DATE	REVISE ITEMS	OWNER	Date: 2010/07/07	Date:	Date:
				DRAWING NUMBER			

17. Mechanical Outline Dimension

