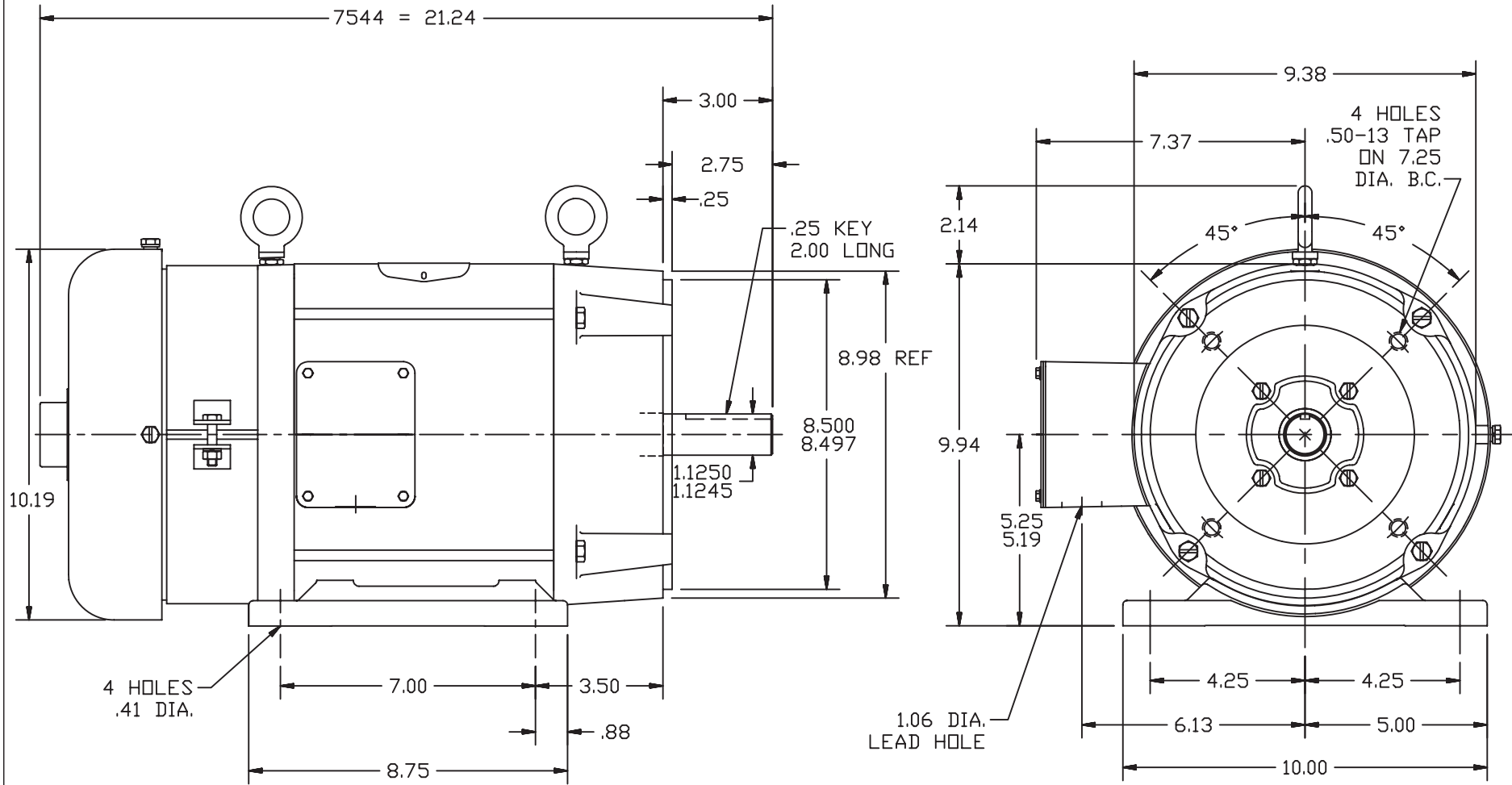


29-1492



CUST. NAME		CUST. P.O.		CERTIFIED BY		MODEL		INSUL		AMB							
H.P.		MTG		TYPE		R.P.M.		VOLTS		ENCL		PHASE		FREQ		FRAME	
REMARKS:												<b>BALDOR ELECTRIC Co.</b>					
REV:		H   MOVED TO ACAD & TEXT TO TDB															
29-1492		REF: 29-1457		BY: MW		REVISED: 09/19/95		FILE: AAA00023604		TDR: 0067335							

29-1492