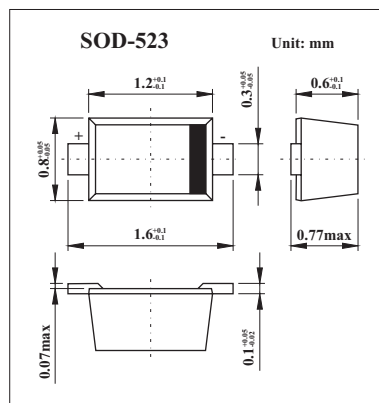


1SS388

■ Features

- Small Package
- Low Forward Voltage : $V_{F(3)} = 0.54V(TYP.)$
- Low Reverse Current : $I_R = 5 \mu A(TYP.)$



■ Absolute Maximum Ratings $T_a = 25^\circ C$

Characteristic	Symbol	Rating	Unit
Maximum (Peak) reverse voltage	V_{RM}	85	V
Reverse voltage	V_R	80	V
Maximum (Peak) forward current	I_{FM}	200	mA
Average forward current	I_o	100	mA
Surge current (10 ms)	I_{FSM}	1	A
Power dissipation	P^*	150	mW
Junction temperature	T_j	125	$^\circ C$
Storage temperature range	T_{stg}	-55 to + 125	$^\circ C$
Operating temperature range	T_{opr}	-44 to + 100	$^\circ C$

* : Mounted on a glass epoxy circuit board of $20 \times 20mm$, pad dimension of $4 \times 4mm$.

■ Electrical Characteristics $T_a = 25^\circ C$

Characteristic	Symbol	Conditions	Min	Typ	Max	Unit
Continuous forward voltage	V_F	$I_F = 1 \text{ mA}$		0.28		V
		$I_F = 10 \text{ mA}$		0.36		
		$I_F = 50 \text{ mA}$		0.54	0.6	
Reverse current	I_R	$V_R = 10 \text{ V}$			5	μA
Total capacitance	C_T	$V_R = 0 \text{ V}, f = 1 \text{ MHz}$		18	25	pF

■ Marking

Marking	S3
---------	----