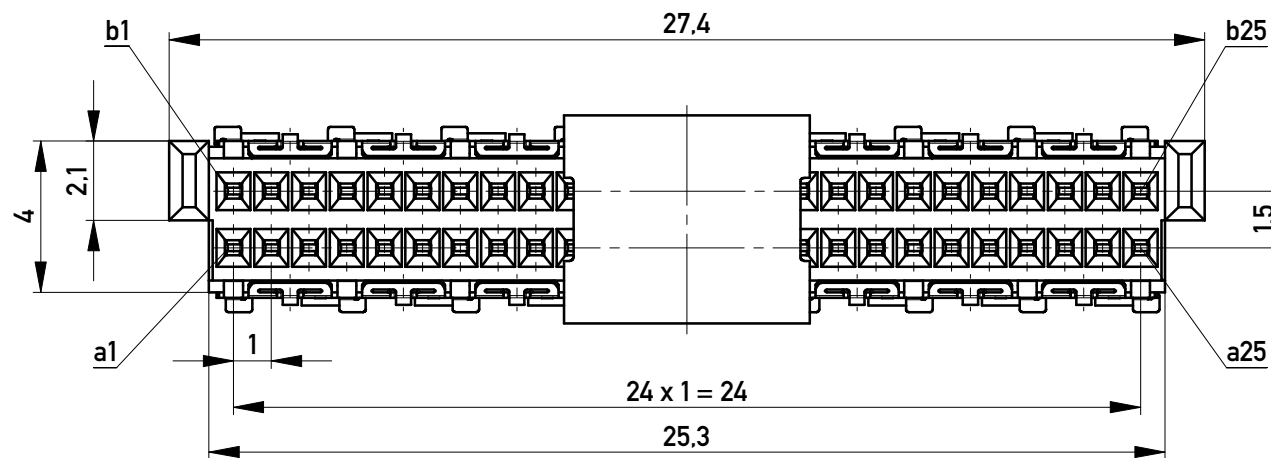
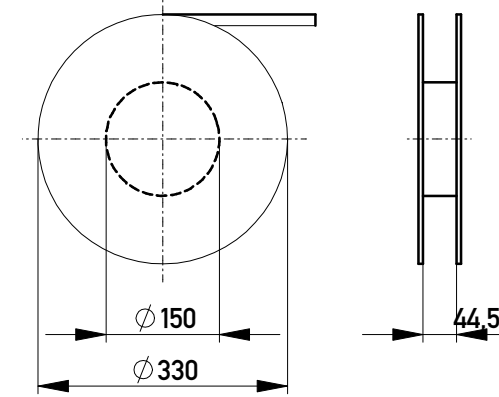
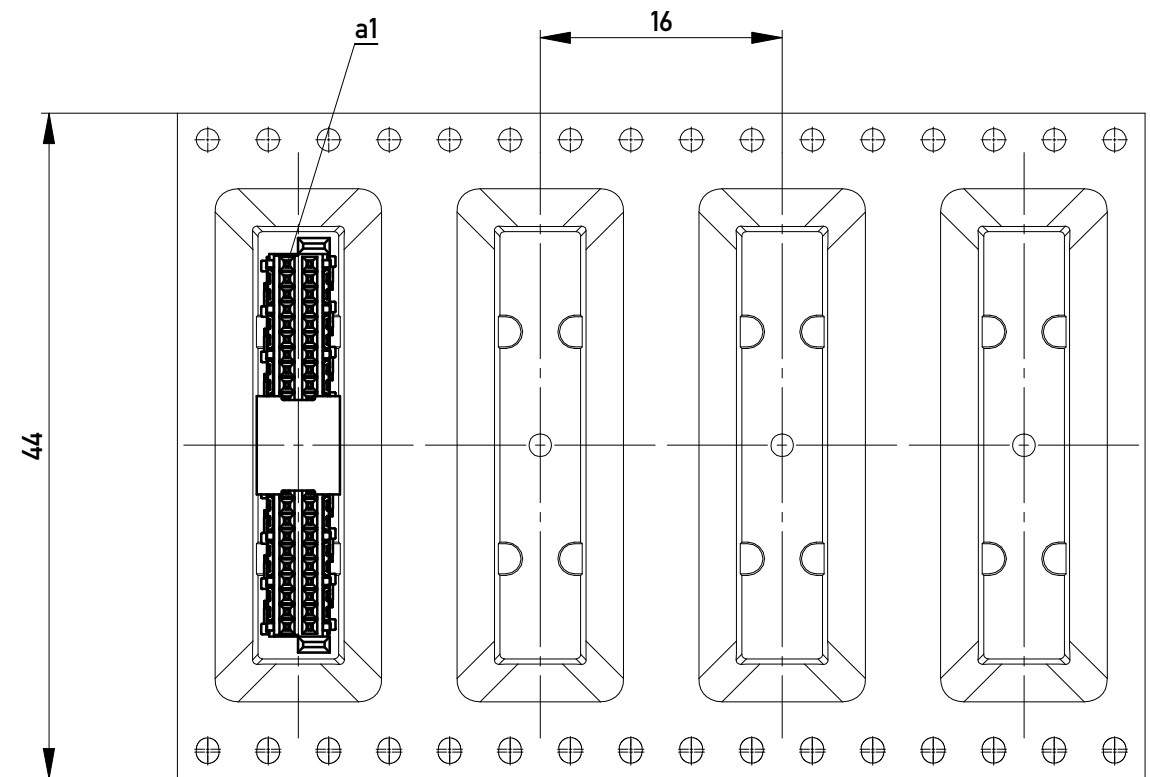


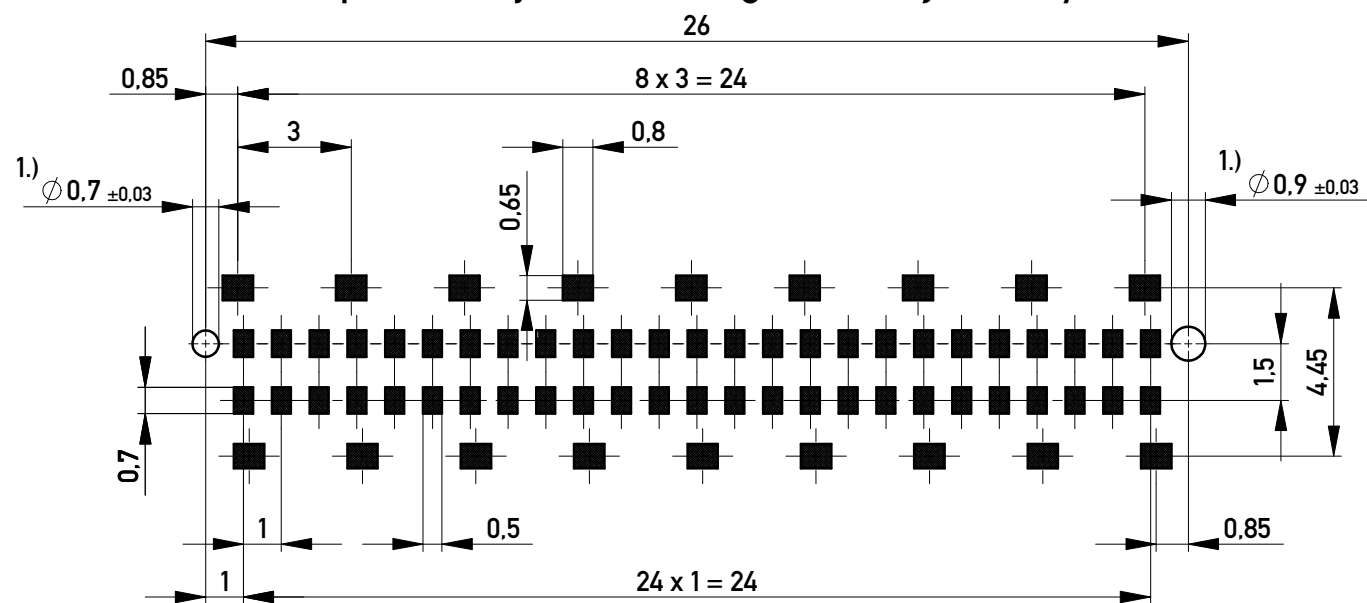
Verpackt in Gurtverpackung - *Tape on Reel Packaging*  
 Verpackungseinheit: 400 Stück - *Packaging unit: 400 pcs*



Abspulrichtung - *Reel off Direction*



**Leiterplatten-Layout Vorschlag / PCB-Layout Proposal**



Anforderungsstufe 1  
*Performance Level 1*

Kontaktbereich vergoldet  
*Mating Area gold plating*

Anschlussbereich verzinkt 4-6µm  
*Terminal Area 4-6µm tin plating*

Koplanarität der Anschlüsse ≤ 0.1mm  
*Coplanarity Area of Termination ≤ 0.1mm*

1.) Durchmesser des Bohrers / *Drill tool*

Information:		Tolerances	Scale <b>5:1</b>
All rights reserved. Only for Information. To ensure that this is the latest version of this drawing, please contact one of the ERNI companies before using.		 All Dimensions in mm	Designation <b>F04 MSpeed BlindMate 50 SMD</b>
Subject to modification without prior notice. Drawing will not be updated.			
b	07.09.2010	101200560001	
Index	Date	Class MSPEED	
		K A3	

Copyright by ERNI GmbH  
 Proprietary notice pursuant to ISO 16016 to be observed.