

**TOSHIBA**

**8 Bit Microcontroller  
TLCS-870/X Series**

**TMP88FW45AFG**

Not Recommended  
for New Design

**TOSHIBA CORPORATION**

The information contained herein is subject to change without notice. 021023\_D

TOSHIBA is continually working to improve the quality and reliability of its products. Nevertheless, semiconductor devices in general can malfunction or fail due to their inherent electrical sensitivity and vulnerability to physical stress. It is the responsibility of the buyer, when utilizing TOSHIBA products, to comply with the standards of safety in making a safe design for the entire system, and to avoid situations in which a malfunction or failure of such TOSHIBA products could cause loss of human life, bodily injury or damage to property. In developing your designs, please ensure that TOSHIBA products are used within specified operating ranges as set forth in the most recent TOSHIBA products specifications.

Also, please keep in mind the precautions and conditions set forth in the "Handling Guide for Semiconductor Devices," or "TOSHIBA Semiconductor Reliability Handbook" etc. 021023\_A

The TOSHIBA products listed in this document are intended for usage in general electronics applications (computer, personal equipment, office equipment, measuring equipment, industrial robotics, domestic appliances, etc.). These TOSHIBA products are neither intended nor warranted for usage in equipment that requires extraordinarily high quality and/or reliability or a malfunction or failure of which may cause loss of human life or bodily injury ("Unintended Usage"). Unintended Usage include atomic energy control instruments, airplane or spaceship instruments, transportation instruments, traffic signal instruments, combustion control instruments, medical instruments, all types of safety devices, etc. Unintended Usage of TOSHIBA products listed in this document shall be made at the customer's own risk. 021023\_B

The products described in this document shall not be used or embedded to any downstream products of which manufacture, use and/or sale are prohibited under any applicable laws and regulations. 060106\_Q

The information contained herein is presented only as a guide for the applications of our products. No responsibility is assumed by TOSHIBA for any infringements of patents or other rights of the third parties which may result from its use. No license is granted by implication or otherwise under any patents or other rights of TOSHIBA or the third parties. 070122\_C

For a discussion of how the reliability of microcontrollers can be predicted, please refer to Section 1.3 of the chapter entitled Quality and Reliability Assurance/Handling Precautions. 030619\_S

## Difference between TMP88FW45FG and TMP88FW45AFG

In TMP88FW45AFG, all SFR/DBR/EBR registers except the oscillation frequency detector are mapped to the same address as TMP88FW45FG. Therefore, the software for TMP88FW45FG can be used in TMP88FW45AFG. As the oscillation frequency detector is not available in Emulator (BM88FW44F0A-M15), please use the flash product (TMP88FW45AFG) to check the oscillation frequency detection.

Products name	TMP88FW45	TMP88FW45A
ROM	122880 bytes (Flash)	
RAM	4224 bytes	
DBR/EBR	144 bytes	144 bytes Registers of oscillation frequency detector are included
I/O port	71 pins	
High-current port	24 pins (sink open drain)	
Interrupt	External: 5 interrupts, Internal: 31 interrupts	
Timer/counter	16-bit: 2 channels 8-bit: 4 channels	
PMD	2 channel	
UART	2 channels	
SIO	1 channels	
8-bit High-speed PWM	2 channels	
10-bit AD converter	16 channels	
Oscillation Frequency Detector	Non Available	Available
Flash Security	Read protect	"Write protect" has been added in "Read protect". And the name of Read protect has been changed to "Security Program".
Flash size code in Product ID	0EH	1DH
The number of Flash Cell	2	1 (Note 1)
Flash Programming Adapter	PN410104	
Structure of TEST pin		<p>without protect diode on the VDD side</p>
Absolute Maximum Ratin of Power supply (VDD)	6.5V	6.0V
Operating condition (MCU mode)	Read/Fetch	4.5V to 5.5V at 20MHz (-40 to 85 °C)
	Program/Erase	4.5V to 5.5V at 20MHz (-10 to 40 °C)
Operating condition (Serial PROM mode)	4.5V to 5.5V at 20MHz (-10 to 40 °C)	

Note 1: The same command sequence of TMP88FW45FG can be used in TMP88FW45AFG.

Not Recommended  
for New Design

---

### Revision History

Date	Revision	Comment
2008/5/29	Tentative 1	First Release
2008/10/24	2	Contents Revised

Not Recommended  
for New Design

Not Recommended  
for New Design

# Table of Contents

---

---

## Difference between TMP88FW45FG and TMP88FW45AFG

---

---

### TMP88FW45AFG

---

<b>1.1 Features</b> .....	1
<b>1.2 Pin Assignment</b> .....	3
<b>1.3 Block Diagram</b> .....	4
<b>1.4 Pin Names and Functions</b> .....	5

---

---

## 2. Functional Description

---

<b>2.1 Functions of the CPU Core</b> .....	9
2.1.1 Memory Address Map.....	9
2.1.2 Program Memory (ROM).....	10
2.1.3 Data Memory (RAM).....	10
2.1.4 System Clock Control Circuit.....	11
2.1.4.1 Clock Generator	
2.1.4.2 Timing Generator	
2.1.4.3 Standby Control Circuit	
2.1.4.4 Controlling Operation Modes	
2.1.5 Reset Circuit.....	23
2.1.5.1 External Reset Input	
2.1.5.2 Address Trap Reset	
2.1.5.3 Watchdog/Timer Reset	
2.1.5.4 System Clock Reset	
2.1.5.5 Oscillation Frequency Detection Reset	

---

---

## 3. Interrupt Control Circuit

---

<b>3.1 Interrupt latches (IL39 to IL2)</b> .....	26
<b>3.2 Interrupt enable register (EIR)</b> .....	27
3.2.1 Interrupt master enable flag (IMF).....	27
3.2.2 Individual interrupt enable flags (EF39 to EF3)	27
<b>3.3 Interrupt Sequence</b> .....	30
3.3.1 Interrupt acceptance processing is packaged as follows.....	30
3.3.2 Saving/restoring general-purpose registers.....	31
3.3.2.1 Using Automatic register bank switching	
3.3.2.2 Using register bank switching	
3.3.2.3 Using PUSH and POP instructions	
3.3.2.4 Using data transfer instructions	
3.3.3 Interrupt return.....	33
<b>3.4 Software Interrupt (INTSW)</b> .....	34
3.4.1 Address error detection.....	34
3.4.2 Debugging.....	34
<b>3.5 External Interrupts</b> .....	35

---

---

## 4. Special Function Register

---

4.1	SFR.....	37
4.2	EBR.....	39
4.3	DBR.....	40

---

---

## 5. Input/Output Ports

---

5.1	Port P0 (P03 to P00).....	45
5.2	Port P1 (P17 to P10).....	47
5.3	Port P2 (P22 to P20).....	48
5.4	Port P3 (P37 to P30).....	50
5.5	Port P4 (P47 to P40).....	52
5.6	Port P5 (P57 to P50).....	54
5.7	Port P6 (P67 to P60).....	56
5.8	Port P7 (P77 to P70).....	58
5.9	Port P8 (P87 to P80).....	60
5.10	Port P9 (P97 to P90).....	62

---

---

## 6. Time Base Timer (TBT) and Divider Output (DVO)

---

6.1	Time Base Timer.....	65
6.2	Divider Output (DVO).....	67

---

---

## 7. Watchdog Timer (WDT)

---

7.1	Watchdog Timer Configuration.....	69
7.2	Watchdog Timer Control.....	70
7.2.1	Malfunction Detection Methods Using the Watchdog Timer.....	70
7.2.2	Watchdog Timer Enable.....	71
7.2.3	Watchdog Timer Disable.....	72
7.2.4	Watchdog Timer Interrupt (INTWDT).....	72
7.2.5	Watchdog Timer Reset.....	73

---

---

## 8. Oscillation Frequency Detector

---

8.1	Configuration.....	75
8.2	Control.....	76
8.3	Function.....	77
8.3.1	Enabling and Disabling the Oscillation Frequency Detection.....	77
8.3.2	Setting the Lower and Higher Frequency for Detection.....	78
8.3.3	Oscillation Frequency Detection Reset.....	78

---

---

## 9. 16-Bit TimerCounter 1 (TC1)

---

9.1	Configuration.....	81
-----	--------------------	----

---

---



<b>9.2</b>	<b>TimerCounter Control</b> .....	82
<b>9.3</b>	<b>Function</b> .....	84
9.3.1	Timer mode.....	84
9.3.2	External Trigger Timer Mode.....	86
9.3.3	Event Counter Mode.....	88
9.3.4	Window Mode.....	89
9.3.5	Pulse Width Measurement Mode.....	90
9.3.6	Programmable Pulse Generate (PPG) Output Mode.....	93

---

## 10. 16-Bit Timer (CTC)

---

<b>10.1</b>	<b>Configuration</b> .....	95
<b>10.2</b>	<b>Control</b> .....	96
<b>10.3</b>	<b>Function</b> .....	99
10.3.1	Timer mode with software start.....	99
10.3.2	Timer mode with external trigger start.....	100
10.3.3	Event counter mode.....	101
10.3.4	Programmable Pulse Generate (PPG) output mode.....	102

---

## 11. 8-Bit TimerCounter 3 (TC3)

---

<b>11.1</b>	<b>Configuration</b> .....	107
<b>11.2</b>	<b>TimerCounter Control</b> .....	108
<b>11.3</b>	<b>Function</b> .....	109
11.3.1	Timer mode.....	109
11.3.2	Event Counter Mode.....	111
11.3.3	Capture Mode.....	112

---

## 12. 8-Bit TimerCounter 4 (TC4)

---

<b>12.1</b>	<b>Configuration</b> .....	113
<b>12.2</b>	<b>TimerCounter Control</b> .....	114
<b>12.3</b>	<b>Function</b> .....	115
12.3.1	Timer Mode.....	115
12.3.2	Event Counter Mode.....	115
12.3.3	Programmable Divider Output (PDO) Mode.....	115
12.3.4	Pulse Width Modulation (PWM) Output Mode.....	116

---

## 13. 8-Bit TimerCounter 5,6 (TC5, 6)

---

<b>13.1</b>	<b>Configuration</b> .....	119
<b>13.2</b>	<b>TimerCounter Control</b> .....	120
<b>13.3</b>	<b>Function</b> .....	123
13.3.1	8-Bit Timer Mode (TC5 and 6).....	123
13.3.2	8-Bit Event Counter Mode (TC5, 6).....	124
13.3.3	8-Bit Programmable Divider Output (PDO) Mode (TC5, 6).....	124
13.3.4	8-Bit Pulse Width Modulation (PWM) Output Mode (TC5, 6).....	127
13.3.5	16-Bit Timer Mode (TC5 and 6).....	129
13.3.6	16-Bit Event Counter Mode (TC5 and 6).....	130
13.3.7	16-Bit Pulse Width Modulation (PWM) Output Mode (TC5 and 6).....	130
13.3.8	16-Bit Programmable Pulse Generate (PPG) Output Mode (TC5 and 6).....	133

<b>14. Motor Control Circuit (PMD: Programmable motor driver)</b>	
<b>14.1</b>	<b>Outline of Motor Control..... 136</b>
<b>14.2</b>	<b>Configuration of the Motor Control Circuit..... 138</b>
<b>14.3</b>	<b>Position Detection Unit..... 139</b>
14.3.1	Configuration of the position detection unit..... 140
14.3.2	Position Detection Circuit Register Functions..... 141
14.3.3	Outline Processing in the Position Detection Unit..... 145
<b>14.4</b>	<b>Timer Unit..... 146</b>
14.4.1	Configuration of the Timer Unit..... 147
14.4.1.1	Timer Circuit Register Functions
14.4.1.2	Outline Processing in the Timer Unit
<b>14.5</b>	<b>Three-phase PWM Output Unit..... 152</b>
14.5.1	Configuration of the three-phase PWM output unit..... 152
14.5.1.1	Pulse width modulation circuit (PWM waveform generating unit)
14.5.1.2	Commutation control circuit
14.5.2	Register Functions of the Waveform Synthesis Circuit..... 156
14.5.3	Port output as set with UOC/VOC/WOC bits and UPWM/VPWM/WPVM bits..... 159
14.5.4	Protective Circuit..... 161
14.5.5	Functions of Protective Circuit Registers..... 163
<b>14.6</b>	<b>Electrical Angle Timer and Waveform Arithmetic Circuit..... 165</b>
14.6.1	Electrical Angle Timer and Waveform Arithmetic Circuit..... 166
14.6.1.1	Functions of the Electrical Angle Timer and Waveform Arithmetic Circuit Registers
14.6.1.2	List of PMD Related Control Registers
<b>15. Asynchronous Serial interface (UART1)</b>	
<b>15.1</b>	<b>Configuration..... 179</b>
<b>15.2</b>	<b>Control..... 180</b>
<b>15.3</b>	<b>Transfer Data Format..... 183</b>
<b>15.4</b>	<b>Transfer Rate..... 184</b>
<b>15.5</b>	<b>Data Sampling Method..... 184</b>
<b>15.6</b>	<b>STOP Bit Length..... 185</b>
<b>15.7</b>	<b>Parity..... 185</b>
<b>15.8</b>	<b>Transmit/Receive Operation..... 185</b>
15.8.1	Data Transmit Operation..... 185
15.8.2	Data Receive Operation..... 185
<b>15.9</b>	<b>Status Flag..... 186</b>
15.9.1	Parity Error..... 186
15.9.2	Framing Error..... 186
15.9.3	Overrun Error..... 186
15.9.4	Receive Data Buffer Full..... 187
15.9.5	Transmit Data Buffer Empty..... 187
15.9.6	Transmit End Flag..... 188
<b>16. Asynchronous Serial interface (UART2)</b>	
<b>16.1</b>	<b>Configuration..... 189</b>
<b>16.2</b>	<b>Control..... 190</b>
<b>16.3</b>	<b>Transfer Data Format..... 192</b>
<b>16.4</b>	<b>Transfer Rate..... 193</b>
<b>16.5</b>	<b>Data Sampling Method..... 193</b>
<b>16.6</b>	<b>STOP Bit Length..... 194</b>

<b>16.7 Parity</b> .....	194
<b>16.8 Transmit/Receive Operation</b> .....	194
16.8.1 Data Transmit Operation.....	194
16.8.2 Data Receive Operation.....	194
<b>16.9 Status Flag</b> .....	195
16.9.1 Parity Error.....	195
16.9.2 Framing Error.....	195
16.9.3 Overrun Error.....	195
16.9.4 Receive Data Buffer Full.....	196
16.9.5 Transmit Data Buffer Empty.....	196
16.9.6 Transmit End Flag.....	197

---

## 17. Synchronous Serial Interface (SIO)

---

<b>17.1 Configuration</b> .....	199
<b>17.2 Control</b> .....	200
<b>17.3 Serial clock</b> .....	202
17.3.1 Clock source.....	202
17.3.1.1 Internal clock	
17.3.1.2 External clock	
17.3.2 Shift edge.....	203
17.3.2.1 Leading edge	
17.3.2.2 Trailing edge	
<b>17.4 Number of bits to transfer</b> .....	203
<b>17.5 Number of words to transfer</b> .....	203
<b>17.6 Transfer Mode</b> .....	204
17.6.1 4-bit and 8-bit transfer modes.....	204
17.6.2 4-bit and 8-bit receive modes.....	206
17.6.3 8-bit transfer / receive mode.....	207

---

## 18. 10-bit AD Converter (ADC)

---

<b>18.1 Configuration</b> .....	211
<b>18.2 Register configuration</b> .....	212
<b>18.3 Function</b> .....	215
18.3.1 Software Start Mode.....	215
18.3.2 Repeat Mode.....	215
18.3.2.1 Register Setting	
<b>18.4 STOP mode during AD Conversion</b> .....	217
<b>18.5 Analog Input Voltage and AD Conversion Result</b> .....	218
<b>18.6 Precautions about AD Converter</b> .....	219
18.6.1 Analog input pin voltage range.....	219
18.6.2 Analog input shared pins.....	219
18.6.3 Noise Countermeasure.....	219

---

## 19. 8-Bit High-speed PWM (HPWM0 and HPWM1)

---

<b>19.1 Configuration</b> .....	221
<b>19.2 Control</b> .....	222
<b>19.3 Functional Description</b> .....	222
19.3.1 Operation modes.....	222
19.3.1.1 8-bit mode	
19.3.1.2 7-bit mode	
19.3.1.3 6-bit mode	
19.3.2 Setting output data.....	225

<b>20. Flash Memory</b>	
<b>20.1 Flash Memory Control</b>	228
20.1.1 Flash Memory Command Sequence Execution Control (FLSCR<FLSMD>)	228
<b>20.2 Command Sequence</b>	229
20.2.1 Byte Program	229
20.2.2 Sector Erase (4-kbyte Erase)	229
20.2.3 Chip Erase (All Erase)	230
20.2.4 Product ID Entry	230
20.2.5 Product ID Exit	230
20.2.6 Security Program	230
<b>20.3 Toggle Bit (D6)</b>	231
<b>20.4 Access to the Flash Memory Area</b>	231
20.4.1 Flash Memory Control in the Serial PROM Mode	231
20.4.1.1 How to write to the flash memory by executing the control program in the RAM area (in the RAM loader mode within the serial PROM mode)	
20.4.2 Flash Memory Control in the MCU mode	233
20.4.2.1 How to write to the flash memory by executing a user write control program in the RAM area (in the MCU mode)	
<b>21. Serial PROM Mode</b>	
<b>21.1 Outline</b>	235
<b>21.2 Memory Mapping</b>	235
<b>21.3 Serial PROM Mode Setting</b>	236
21.3.1 Serial PROM Mode Control Pins	236
21.3.2 Pin Function	236
21.3.3 Example Connection for On-Board Writing	237
21.3.4 Activating the Serial PROM Mode	238
<b>21.4 Interface Specifications for UART</b>	239
<b>21.5 Operation Command</b>	240
<b>21.6 Operation Mode</b>	240
21.6.1 Flash Memory Erasing Mode (Operating command: F0H)	242
21.6.2 Flash Memory Writing Mode (Operation command: 30H)	244
21.6.3 RAM Loader Mode (Operation Command: 60H)	247
21.6.4 Flash Memory SUM Output Mode (Operation Command: 90H)	249
21.6.5 Product ID Code Output Mode (Operation Command: C0H)	250
21.6.6 Flash Memory Status Output Mode (Operation Command: C3H)	252
21.6.7 Flash Memory Security Program Setting Mode (Operation Command: FAH)	253
<b>21.7 Error Code</b>	255
<b>21.8 Checksum (SUM)</b>	255
21.8.1 Calculation Method	255
21.8.2 Calculation data	255
<b>21.9 Intel Hex Format (Binary)</b>	257
<b>21.10 Passwords</b>	257
21.10.1 Password String	258
21.10.2 Handling of Password Error	258
21.10.3 Password Management during Program Development	258
<b>21.11 Product ID Code</b>	259
<b>21.12 Flash Memory Status Code</b>	259
<b>21.13 Specifying the Erasure Area</b>	261
<b>21.14 Port Input Control Register</b>	263
<b>21.15 Flowchart</b>	264
<b>21.16 UART Timing</b>	265

---

---

## 22. Input/Output Circuitry

---

22.1	Control pins.....	267
22.2	Input/output ports.....	267

---

---

## 23. Electrical Characteristics

---

23.1	Absolute Maximum Ratings.....	269
23.2	Operating Conditions.....	270
23.2.1	MCU mode (Flash Programming or erasing).....	270
23.2.2	MCU mode (Except Flash Programming or erasing).....	271
23.2.3	Serial PROM mode.....	271
23.3	DC Characteristics.....	272
23.4	AD Characteristics.....	273
23.5	AC Characteristics.....	273
23.6	Oscillation Frequency Detection AC Characteristics.....	274
23.7	Flash Characteristics.....	274
23.8	Recommended Oscillating Conditions.....	275
23.9	Handling Precaution.....	275

---

---

## 24. Package Dimensions

---

Not Recommended  
for New Design

Not Recommended  
for New Design

## CMOS 8-Bit Microcontroller

# TMP88FW45AFG

Product No.	ROM (FLASH)	RAM	Package
TMP88FW45AFG	122880 bytes	4224 bytes	QFP80-P-1420-0.80B

## 1.1 Features

1. 8-bit single chip microcomputer TLCS-870/X series
  - Instruction execution time :
    - 0.20  $\mu$ s (at 20 MHz)
  - 181 types & 842 basic instructions
2. 36 interrupt sources (External : 5 Internal : 31)
3. Input / Output ports (71 pins)
  - Large current output: 24pins (Typ. 20mA), LED direct drive
4. Prescaler
  - Time base timer
    - Divider output function (DVO)
5. Watchdog Timer
  - Select of "internal reset request" or "interrupt request".
6. Oscillation Frequency Detector : 1ch
7. 16-bit timer counter: 1 ch
  - Timer, External trigger, Window, Pulse width measurement, Event counter, Programmable pulse generate (PPG) modes
8. 16-bit timer/counter(CTC): 1ch
  - CTC:Timer,event counter or PPG (Programmable Pulse) output
9. 8-bit timer counter : 1 ch

This product uses the Super Flash® technology under the licence of Silicon Storage Technology, Inc. Super Flash® is registered trademark of Silicon Storage Technology, Inc.

- The information contained herein is subject to change without notice. 021023\_D
- TOSHIBA is continually working to improve the quality and reliability of its products. Nevertheless, semiconductor devices in general can malfunction or fail due to their inherent electrical sensitivity and vulnerability to physical stress. It is the responsibility of the buyer, when utilizing TOSHIBA products, to comply with the standards of safety in making a safe design for the entire system, and to avoid situations in which a malfunction or failure of such TOSHIBA products could cause loss of human life, bodily injury or damage to property. In developing your designs, please ensure that TOSHIBA products are used within specified operating ranges as set forth in the most recent TOSHIBA products specifications. Also, please keep in mind the precautions and conditions set forth in the "Handling Guide for Semiconductor Devices," or "TOSHIBA Semiconductor Reliability Handbook" etc. 021023\_A
- The TOSHIBA products listed in this document are intended for usage in general electronics applications (computer, personal equipment, office equipment, measuring equipment, industrial robotics, domestic appliances, etc.). These TOSHIBA products are neither intended nor warranted for usage in equipment that requires extraordinarily high quality and/or reliability or a malfunction or failure of which may cause loss of human life or bodily injury ("Unintended Usage"). Unintended Usage include atomic energy control instruments, airplane or spaceship instruments, transportation instruments, traffic signal instruments, combustion control instruments, medical instruments, all types of safety devices, etc. Unintended Usage of TOSHIBA products listed in this document shall be made at the customer's own risk. 021023\_B
- The products described in this document shall not be used or embedded to any downstream products of which manufacture, use and/or sale are prohibited under any applicable laws and regulations. 060106\_Q
- The information contained herein is presented only as a guide for the applications of our products. No responsibility is assumed by TOSHIBA for any infringements of patents or other rights of the third parties which may result from its use. No license is granted by implication or otherwise under any patents or other rights of TOSHIBA or the third parties. 070122\_C
- For a discussion of how the reliability of microcontrollers can be predicted, please refer to Section 1.3 of the chapter entitled Quality and Reliability Assurance/Handling Precautions. 030619\_S

- Timer, Event counter, Capture modes
10. 8-bit timer counter : 1 ch
- Timer, Event counter, Pulse width modulation (PWM) output,  
Programmable divider output (PDO) modes
11. 8-bit timer counter : 2 ch
- Timer, Event counter, Programmable divider output (PDO),  
Pulse width modulation (PWM) output,  
Programmable pulse generation (PPG) modes
12. Programmable motor driver (PMD) : 2 ch
- Sine wave drive circuit (built-in sine wave data-table RAM)  
Rotor position detect function  
Motor control timer and capture function  
Overload protective function  
Auto commutation and auto position detection start function
13. 8-bit UART : 2 ch
14. 8-bit SIO: 1 ch
15. 10-bit successive approximation type AD converter
- Analog input: 16 ch
16. 8-bit High-speed PWM (HPWM0 and HPWM1)
17. Clock oscillation circuit : 1 set
18. Low power consumption operation (2 modes)
- STOP mode: Oscillation stops. (Battery/Capacitor back-up.)
  - IDLE mode: CPU stops.  
Only peripherals operate using high frequency clock. Release by interrupts (CPU restarts).
19. Operation voltage:
- 4.5 V to 5.5 V at 20MHz



1.2 Pin Assignment

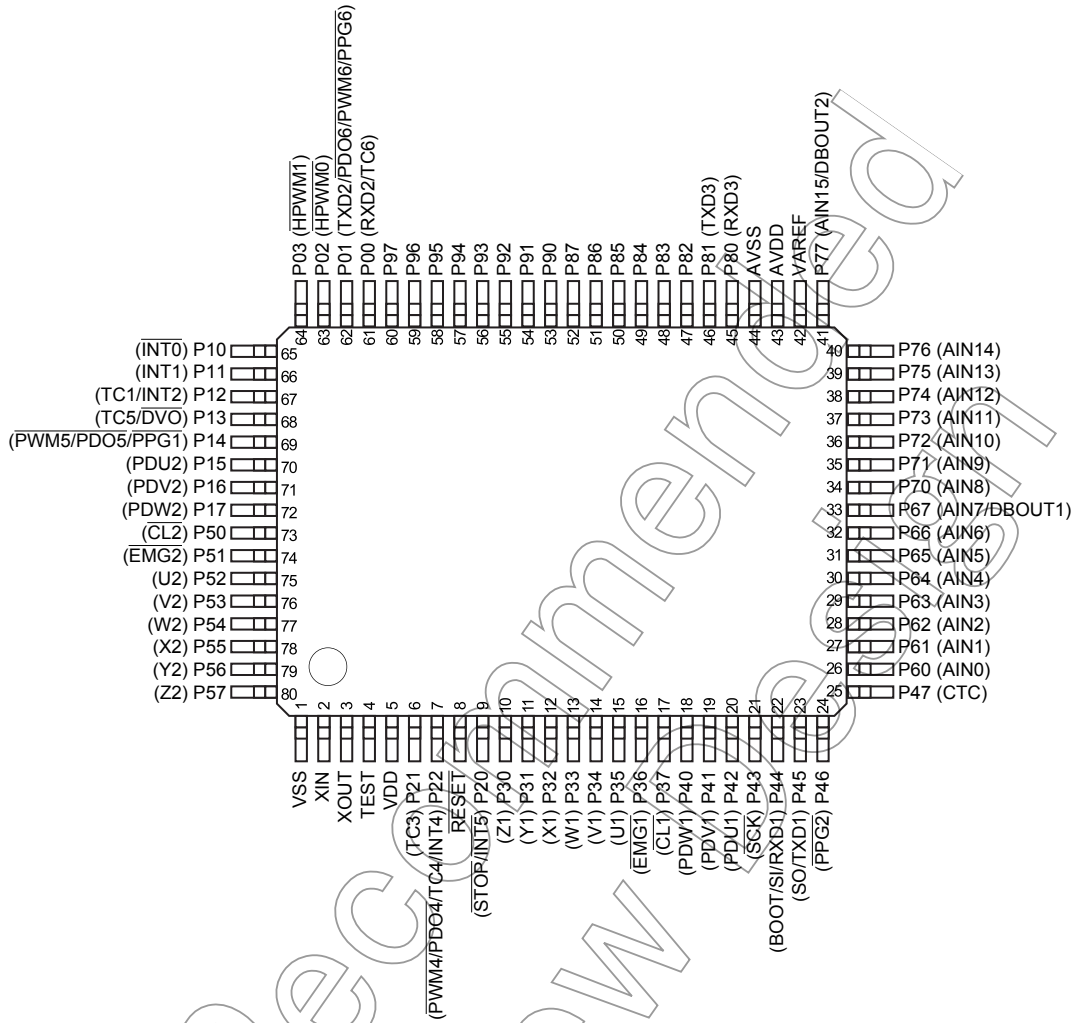


Figure 1-1 Pin Assignment

### 1.3 Block Diagram

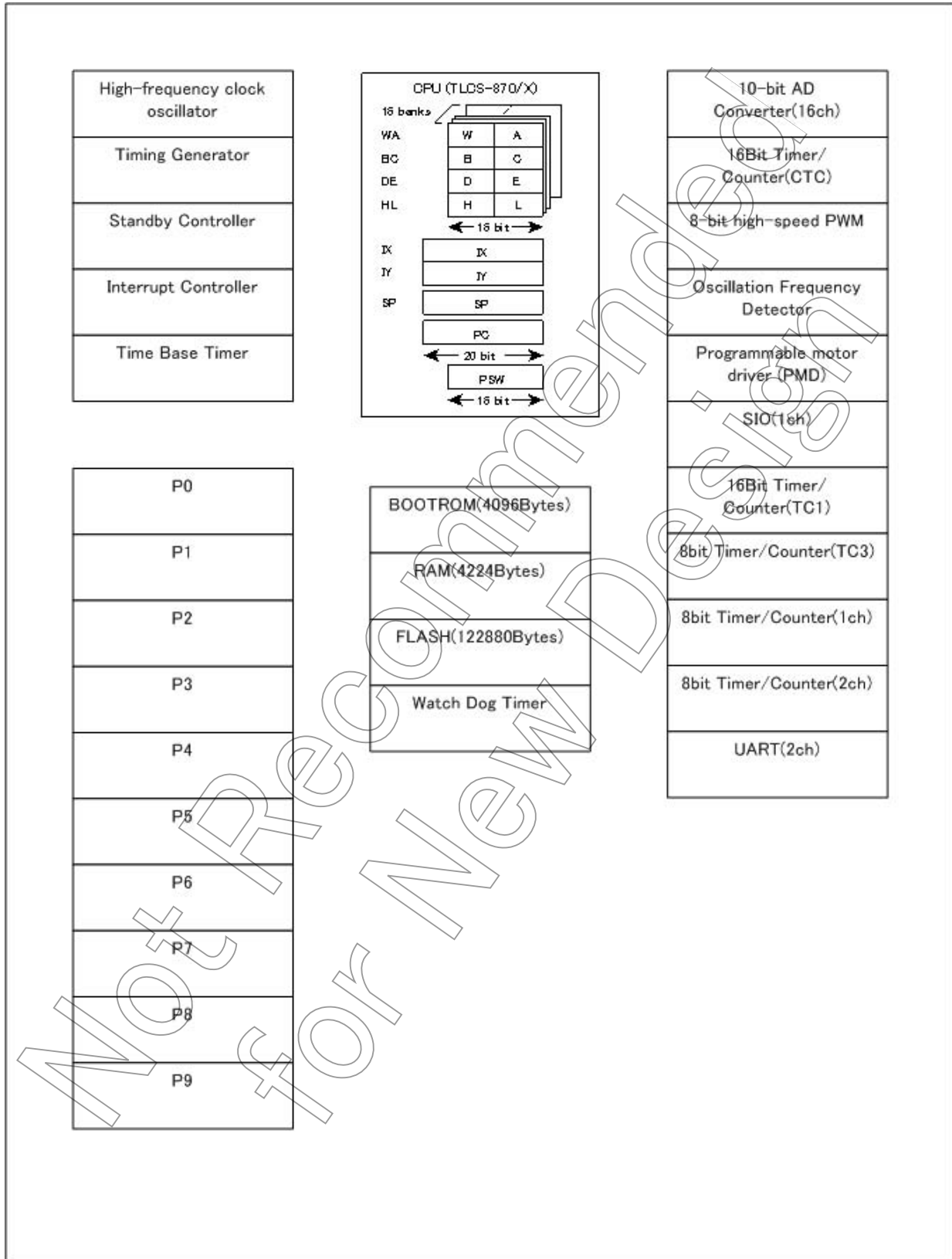


Figure 1-2 Block Diagram

## 1.4 Pin Names and Functions

The TMP88FW45AFG has MCU mode, parallel PROM mode, and serial PROM mode. Table 1-1 shows the pin functions in MCU mode. The serial PROM mode is explained later in a separate chapter.

Table 1-1 Pin Names and Functions (1/4)

Pin Name	Pin Number	Input/Output	Functions
P03 HPWM1	64	IO O	PORT03 High-speed PWM1 output
P02 HPWM0	63	IO O	PORT02 High-speed PWM0 output
P01 TXD2 PDO6/PWM6/PPG6	62	IO O O	PORT01 UART data output 2 PDO6/PWM6/PPG6 output
P00 RXD2 TC6	61	IO I I	PORT00 UART data input 2 TC6 input
P17 PDW2	72	IO I	PORT17 PMD control input W2
P16 PDV2	71	IO I	PORT16 PMD control input V2
P15 PDU2	70	IO I	PORT15 PMD control input U2
P14 PPG1 PWM5/PDO5	69	IO O O	PORT14 PPG1 output PWM5/PDO5 output
P13 DVO TC5	68	IO O I	PORT13 Divider Output TC5 input
P12 INT2 TC1	67	IO I I	PORT12 External interrupt 2 input TC1 input
P11 INT1	66	IO I	PORT11 External interrupt 1 input
P10 INT0	65	IO I	PORT10 External interrupt 0 input
P22 INT4 TC4 PWM4/PDO4	7	IO I I O	PORT22 External interrupt 4 input TC4 input PWM4/PDO4 output
P21 TC3	6	IO I	PORT21 TC3 pin input
P20 INT5 STOP	9	IO I I	PORT20 External interrupt 5 input STOP mode release signal input
P37 CL1	17	IO I	PORT37 PMD over load protection input1

Table 1-1 Pin Names and Functions (2/4)

Pin Name	Pin Number	Input/Output	Functions
P36 EMG1	16	IO I	PORT36 PMD emergency stop input1
P35 U1	15	IO O	PORT35 PMD control output U1
P34 V1	14	IO O	PORT34 PMD control output V1
P33 W1	13	IO O	PORT33 PMD control output W1
P32 X1	12	IO O	PORT32 PMD control output X1
P31 Y1	11	IO O	PORT31 PMD control output Y1
P30 Z1	10	IO O	PORT30 PMD control output Z1
P47 CTC	25	I I	PORT47 CTC input
P46 PPG2	24	IO O	PORT46 PPG2 出力
P45 TXD1 SO	23	IO O O	PORT45 UART data output 1 Serial Data Output
P44 RXD1 SI BOOT	22	IO I I I	PORT44 UART data input 1 Serial Data Input Serial PROM mode control input
P43 SCK	21	IO IO	PORT43 Serial Clock I/O
P42 PDU1	20	IO I	PORT42 PMD control input U1
P41 PDV1	19	IO I	PORT41 PMD control input V1
P40 PDW1	18	IO I	PORT40 PMD control input W1
P57 Z2	80	IO O	PORT57 PMD control output Z2
P56 Y2	79	IO O	PORT56 PMD control output Y2
P55 X2	78	IO O	PORT55 PMD control output X2
P54 W2	77	IO O	PORT54 PMD control output W2

Table 1-1 Pin Names and Functions (3/4)

Pin Name	Pin Number	Input/Output	Functions
P53 V2	76	IO O	PORT53 PMD control output V2
P52 U2	75	IO O	PORT52 PMD control output U2
P51 EMG2	74	IO I	PORT51 PMD emergency stop input2
P50 CL2	73	IO I	PORT50 PMD over load protection input2
P67 AIN7 DBOUT1	33	IO I O	PORT67 Analog Input7 PMD debug output1
P66 AIN6	32	IO I	PORT66 Analog Input6
P65 AIN5	31	IO I	PORT65 Analog Input5
P64 AIN4	30	IO I	PORT64 Analog Input4
P63 AIN3	29	IO I	PORT63 Analog Input3
P62 AIN2	28	IO I	PORT62 Analog Input2
P61 AIN1	27	IO I	PORT61 Analog Input1
P60 AIN0	26	IO I	PORT60 Analog Input0
P77 AIN15 DBOUT2	41	IO I O	PORT77 Analog Input15 PMD debug output2
P76 AIN14	40	IO I	PORT76 Analog Input14
P75 AIN13	39	IO I	PORT75 Analog Input13
P74 AIN12	38	IO I	PORT74 Analog Input12
P73 AIN11	37	IO I	PORT73 Analog Input11
P72 AIN10	36	IO I	PORT72 Analog Input10
P71 AIN9	35	IO I	PORT71 Analog Input9
P70 AIN8	34	IO I	PORT70 Analog Input8

Table 1-1 Pin Names and Functions (4/4)

Pin Name	Pin Number	Input/Output	Functions
P87	52	IO	PORT87
P86	51	IO	PORT86
P85	50	IO	PORT85
P84	49	IO	PORT84
P83	48	IO	PORT83
P82	47	IO	PORT82
P81 TXD3	46	IO I	PORT81 UART data output 3
P80 RXD3	45	IO I	PORT80 UART data input 3
P97	60	IO	PORT97
P96	59	IO	PORT96
P95	58	IO	PORT95
P94	57	IO	PORT94
P93	56	IO	PORT93
P92	55	IO	PORT92
P91	54	IO	PORT91
P90	53	IO	PORT90
XIN	2	I	Resonator connecting pins for high-frequency clock
XOUT	3	O	Resonator connecting pins for high-frequency clock
RESET	8	I	Reset signal
TEST	4	I	Test pin for out-going test and the Serial PROM mode control pin. Usually fix to low level. Fix to high level when the Serial PROM mode starts.
VAREF	42	I	Analog Base Voltage Input Pin for A/D Conversion
AVDD	43	I	Analog Power Supply
AVSS	44	I	Analog Power Supply
VDD	5	I	+5V
VSS	1	I	0(GND)

## 2. Functional Description

### 2.1 Functions of the CPU Core

The CPU core consists mainly of the CPU, system clock control circuit, and interrupt control circuit.

This chapter describes the CPU core, program memory, data memory, and reset circuit of the TMP88FW45AFG.

#### 2.1.1 Memory Address Map

The memory of the TMP88FW45AFG consists of four blocks: ROM, RAM, SFR (Special Function Registers), and DBR/EBR (Data Buffer Registers), which are mapped into one 1-Mbyte address space. The general-purpose registers consist of 16 banks, which are mapped into the RAM address space. Figure 2-1 shows a memory address map of the TMP88FW45AFG.

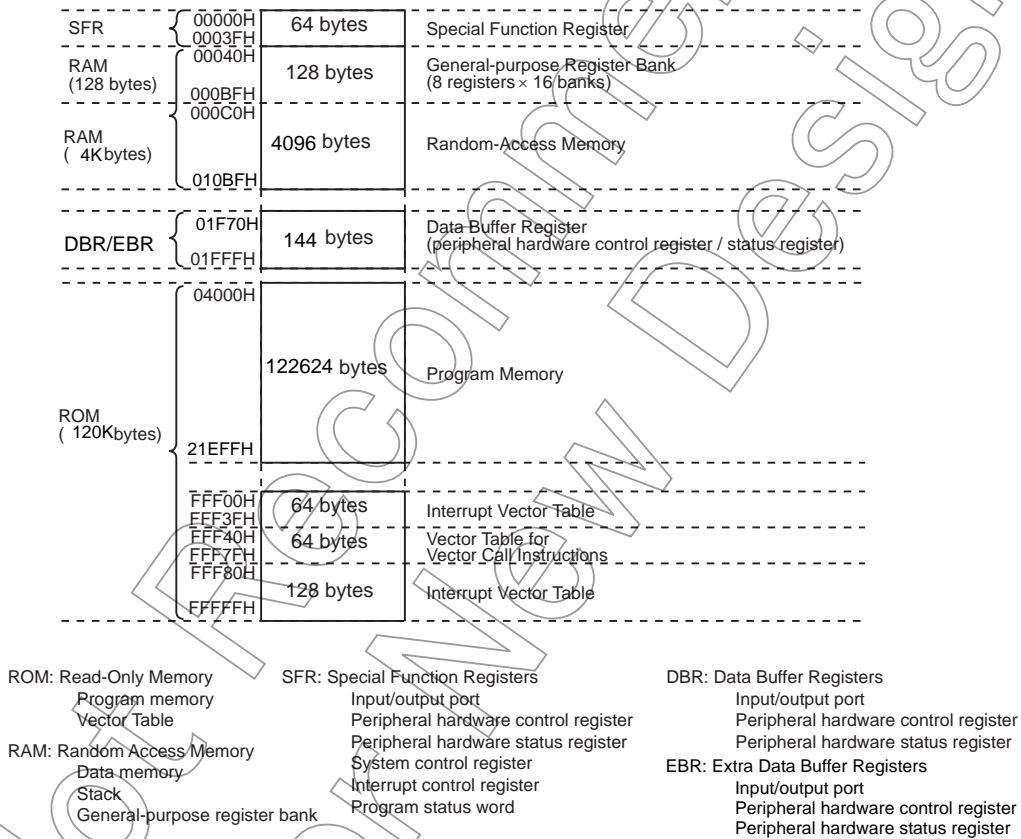


Figure 2-1 Memory address map

### 2.1.2 Program Memory (ROM)

The TMP88FW45AFG contains 120Kbytes program memory (Flash) located at addresses 04000H to 21EFFH and addresses FFF00H to FFFFFH.

### 2.1.3 Data Memory (RAM)

The TMP88FW45AFG contains 4Kbytes +128bytes RAM. The first 128bytes location (00040H to 000BFH) of the internal RAM is shared with a general-purpose register bank.

The content of the data memory is indeterminate at power-on, so be sure to initialize it in the initialize routine.

Example :Clearing the internal RAM of the TMP88FW45AFG (clear all RAM addresses to 0, except bank 0)

```
LD      HL, 0048H      ; Set the start address
LD      A, 00H         ; Set the initialization data (00H)
LD      BC, 1077H      ; Set byte counts (-1)
SRAMCLR: LD      (HL+), A
DEC     BC
JRS    F, SRAMCLR
```

Note: Because general-purpose registers exist in the RAM, never clear the current bank address of RAM. In the above example, the RAM is cleared except bank 0.



### 2.1.4 System Clock Control Circuit

The System Clock Control Circuit consists of a clock generator, timing generator, and standby control circuit.

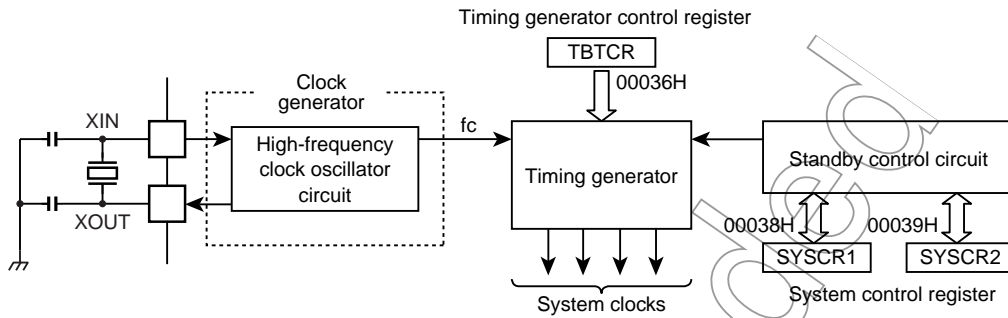


Figure 2-2 System Clock Control Circuit

#### 2.1.4.1 Clock Generator

The Clock Generator generates the fundamental clock which serves as the reference for the system clocks supplied to the CPU core and peripheral hardware units.

The high-frequency clock (frequency  $f_c$ ) can be obtained easily by connecting a resonator to the XIN and XOUT pins. Or a clock generated by an external oscillator can also be used. In this case, enter the external clock from the XIN pin and leave the XOUT pin open. The TMP88FW45AFG does not support the CR network that produces a time constant.

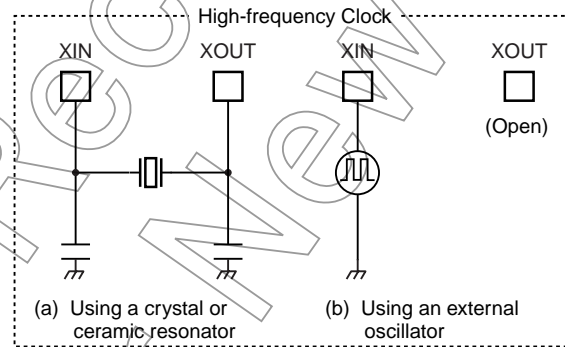


Figure 2-3 Example for Connecting a Resonator

#### Adjusting the oscillation frequency

Note: Although no hardware functions are provided that allow the fundamental clock to be monitored directly from the outside, the oscillation frequency can be adjusted by forwarding the pulse of a fixed frequency (e.g., clock output) to a port and monitoring it in a program while interrupts and the watchdog timer are disabled. For systems that require adjusting the oscillation frequency, an adjustment program must be created beforehand.

#### 2.1.4.2 Timing Generator

The Timing Generator generates various system clocks from the fundamental clock that are supplied to the CPU core and peripheral hardware units. The Timing Generator has the following functions:

1. Generate a divider output ( $\overline{DVO}$ ) pulse

2. Generate the source clock for the time base timer
3. Generate the source clock for the watchdog timer
4. Generate the internal source clock for the timer counter
5. Generate a warm-up clock when exiting STOP mode

### (1) Configuration of the Timing Generator

The Timing Generator has a 3-stage prescaler, 21-stage dividers, and a machine cycle counter.

When reset and when entering/exiting STOP mode, the prescaler and dividers are cleared to 0.

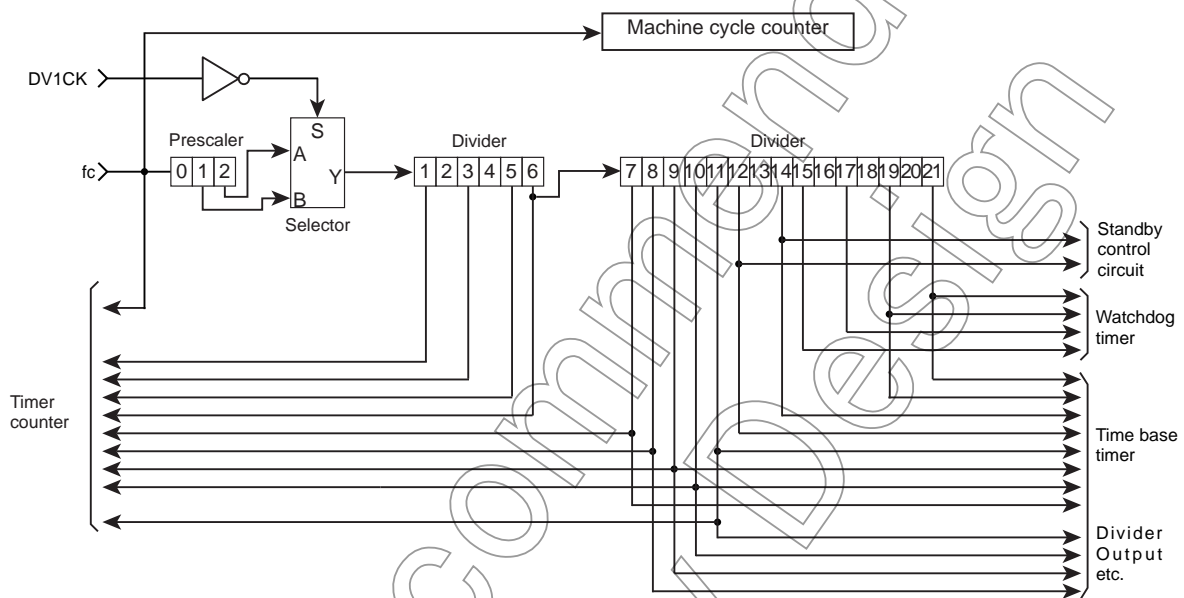


Figure 2-4 Configuration of the Timing Generator

Divider Control Register

CGCR (0030H)	7	6	5	4	3	2	1	0	(Initial value: 000* *000)
	0	0	DV1CK			0	0	0	

DV1CK	Selects input clock to the first divider stage	0: fc/4 1: fc/8	R/W
-------	------------------------------------------------	--------------------	-----

- Note 1: fc: the high-frequency clock [Hz], \*: Don't care
- Note 2: The CGCR Register bits 4 and 3 show an indeterminate value when read.
- Note 3: Be sure to write "0" to CGCR Register bits 7, 6, 2, 1 and 0.

Timing Generator Control Register

TBTCCR (0036H)	7	6	5	4	3	2	1	0	(Initial value: 0000 0000)
	DVOEN	DVOCK	0	TBTEN			TBTCK		

- Note 1: \*: Don't care
- Note 2: Be sure to write "0" to TBTCCR Register bit 4.

(2) Machine cycle

Instruction execution and the internal hardware operations are synchronized to the system clocks.

The minimum unit of instruction execution is referred to as the "machine cycle". The TLCS-870/X series has 15 types of instructions, from 1-cycle instructions which are executed in one machine cycle up to 15-cycle instructions that require a maximum of 15 machine cycles.

A machine cycle consists of four states (S0 to S3), with each state comprised of one main system clock cycle.

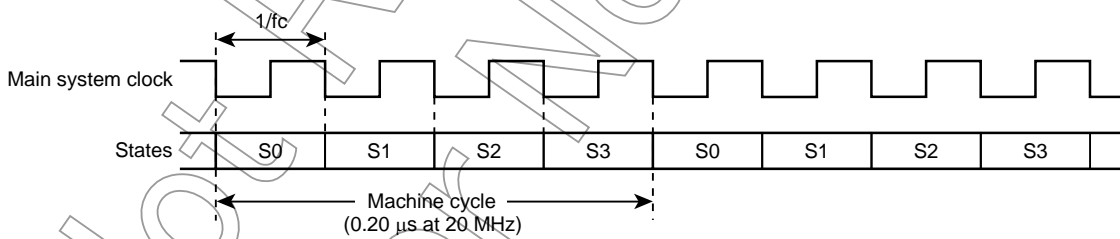


Figure 2-5 Machine Cycles

2.1.4.3 Standby Control Circuit

The Standby Control Circuit starts/stops the high-frequency clock oscillator circuit and selects the main system clock. The System Control Registers (SYSCR1, SYSCR2) are used to control operation modes of this circuit. Figure 2-6 shows an operation mode transition diagram, followed by description of the System Control Registers.

(1) Single clock mode

Only the high-frequency clock oscillator circuit is used. Because the main system clock is generated from the high-frequency clock, the machine cycle time in single clock mode is  $4/f_c$  [s].

1. NORMAL mode

In this mode, the CPU core and peripheral hardware units are operated with the high-frequency clock. The TMP88FW45AFG enters this NORMAL mode after reset.

2. IDLE mode

In this mode, the CPU and watchdog timer are turned off while the peripheral hardware units are operated with the high-frequency clock. IDLE mode is entered into by using System Control Register 2. The device is placed out of this mode and back into NORMAL mode by an interrupt from the peripheral hardware or an external interrupt. When IMF (interrupt master enable flag) = 1 (interrupt enabled), the device returns to normal operation after the interrupt has been serviced. When IMF = 0 (interrupt disabled), the device restarts execution beginning with the instruction next to one that placed it in IDLE mode.

3. STOP mode

The entire system operation including the oscillator circuit is halted, retaining the internal state immediately before being stopped, with a minimal amount of power consumed.

STOP mode is entered into by using System Control Register 1, and is exited by  $\overline{STOP}$  pin input (level or edge selectable). After an elapse of the warm-up time, the device restarts execution beginning with the instruction next to one that placed it in STOP mode.

Table 2-1 Single Clock Mode

Operation Mode	Oscillator Circuit		CPU Core	Peripheral Circuit	Machine Cycle Time
	High Frequency	Low Frequency			
Single Clock	RESET	Oscillate	Reset	Reset	4/fc [s]
	NORMAL		Operate	Operate	
	IDLE	Stop	Stop	Stop	-
	STOP				

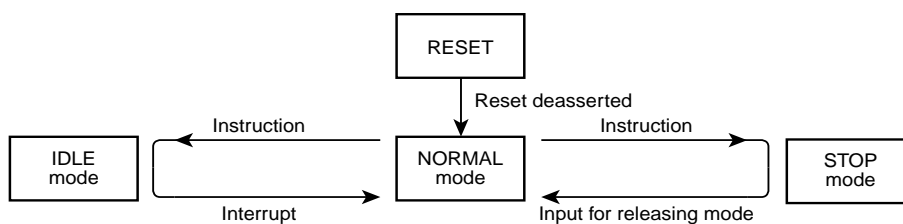


Figure 2-6 Operation Mode Transition Diagram

**System Control Register 1**

SYSCR1 (0038H)	7	6	5	4	3	2	1	0	(Initial value: 0000 00**)
	STOP	RELM	RETM	OUTEN	WUT				

STOP	Place the device in STOP mode	0: Keep the CPU core and peripheral hardware operating 1: Stop the CPU core and peripheral hardware (placed in STOP mode)	R/W	
RELM	Select method by which the device is released from STOP mode	0: Released by a rising edge on STOP pin input 1: Released by a high level on STOP pin input		
RETM	Select operation mode after exiting STOP mode	0: Returns to NORMAL mode 1: Reserved		
OUTEN	Select port output state during STOP mode	0: High-impedance state 1: Hold output		
WUT	Unit of warm-up time when exiting STOP mode	When Returning to NORMAL Mode		
			DV1CK = 0	DV1CK = 1
		00	$3 \times 2^{16}/fc$	$3 \times 2^{17}/fc$
		01	$2^{16}/fc$	$2^{17}/fc$
		10	$2^{14}/fc$	$2^{15}/fc$
	11	Reserved	Reserved	

- Note 1: When entering from NORMAL mode into STOP mode, always be sure to set SYSCR1<RETM> to 0.
- Note 2: When the device is released from STOP mode by RESET pin input, it always returns to NORMAL mode regardless of how SYSCR1<RETM> is set.
- Note 3: fc: High-frequency clock [Hz], \*: Don't care
- Note 4: The values of the SYSCR1 Register bits 1 and 0 are indeterminate when read.
- Note 5: When placed the device in STOP mode, make sure to set "1" to SYSCR1<OUTEN>.
- Note 6: Releasing the device from the STOP mode causes the STOP bit to be automatically cleared to "0".
- Note 7: Select an appropriate value for the warm-up time according to the characteristic of the resonator used.

**System Control Register 2**

SYSCR2 (0039H)	7	6	5	4	3	2	1	0	(Initial value: 1000 ****)
	XEN	0	SYSCK	IDLE					

XEN	Control high-frequency oscillator	0: Stop oscillation 1: Continue or start oscillating	R/W
SYSCK	Select (write)/monitor (read) system clock	0: High-frequency clock (NORMAL/IDLE) 1: Reserved	R/W
IDLE	Place the device in IDLE mode	0: Keep the CPU and WDT operating 1: Stop the CPU and WDT (IDLE mode entered)	R/W

RETM	Operation Mode after Releasing STOP Mode	XEN	SYSCK
0	NORMAL mode	1	0
1	No operation	0	1

- Note 1: When exiting STOP mode, SYSCR2<XEN and SYSCK> are automatically rewritten according to SYSCR1<RETM>.
- Note 2: When SYSCR2<XEN>is cleared to 0, the device is reset.
- Note 3: WDT: Watchdog Timer, \*: Don't care
- Note 4: Be sure to write "0" to SYSCR2 Register bit6.
- Note 5: The values of the SYSCR2 Register bits 3 to 0 are indeterminate when read.
- Note 6: Change the operation mode after disabling external interrupts. If interrupts are enabled after changing operation mode, clear interrupt latches as appropriate in advance.

### 2.1.4.4 Controlling Operation Modes

#### (1) STOP mode

STOP mode is controlled by System Control Register 1 (SYSCR1) and the  $\overline{\text{STOP}}$  pin input. The  $\overline{\text{STOP}}$  pin is shared with P20 port and  $\overline{\text{INT5}}$  (external interrupt input 5). STOP mode is entered into by setting STOP (SYSCR1 Register bit 7) to 1. During STOP mode, the device retains the following state.

1. Stop oscillation, thereby stopping operation of all internal circuits.
2. The data memory, register, program status word, and port output latch hold the state in which they were immediately before entering STOP mode.
3. Clear the prescaler and divider for the timing generator to 0.
4. The program counter holds the instruction address two instructions ahead the one that placed the device in STOP mode (e.g., "SET (SYSCR1).7").

The device is released from STOP mode by the active level or edge on STOP pin input as selected by SYSCR1<RELM>.

Note: Before entering STOP mode, be sure to disable interrupts. This is because if the signal on an external interrupt pin changes state during STOP (from entering STOP mode till completion of warm-up) the interrupt latch is set to 1, so that the device may accept the interrupt immediately after exiting STOP mode. Also, when enabling interrupts after exiting STOP mode, be sure to clear the unnecessary interrupt latches beforehand.

a. Released by level (when RELM = 1)

The device is released from STOP mode by a high level on  $\overline{\text{STOP}}$  pin input.

Any instruction to place the device in STOP mode is ignored when executed while  $\overline{\text{STOP}}$  pin input level is high, and the device immediately goes to a release sequence (warm-up) without entering STOP mode. Therefore, before STOP mode can be entered while RELM = 1, the  $\overline{\text{STOP}}$  pin input must be verified to be low in a program. There are following methods to do this verification.

1. Testing the port status
2.  $\overline{\text{INT5}}$  interrupt (interrupt generated at a falling edge on  $\overline{\text{INT5}}$  pin input)

Example 1 : Entering STOP mode from NORMAL mode by testing P20 port

```

LD      (SYSCR1), 01010000B    ; Select to be released from STOP mode by level
SSTOPH : TEST   (P2DR) . 0      ; Wait until  $\overline{\text{STOP}}$  pin input goes low
        JRS     F, SSTOPH
        DI      ; IMF ← 0
        SET    (SYSCR1) . 7     ; Place the device in STOP mode
    
```

Example 2 : Entering STOP mode from NORMAL mode by INT5 interrupt

```

PINT5 : TEST   (P2DR) . 0      ; Do not enter STOP mode if P20 port input level is
                                ; high, to eliminate noise
        JRS     F, SINT5       ; Do not enter STOP mode if P20 port input level is
                                ; high, to eliminate noise
        LD      (SYSCR1), 01010000B ; Select to be released from STOP mode by level
        DI      ; IMF ← 0
        SET    (SYSCR1) . 7     ; Place the device in STOP mode
SINT5 : RETI
    
```

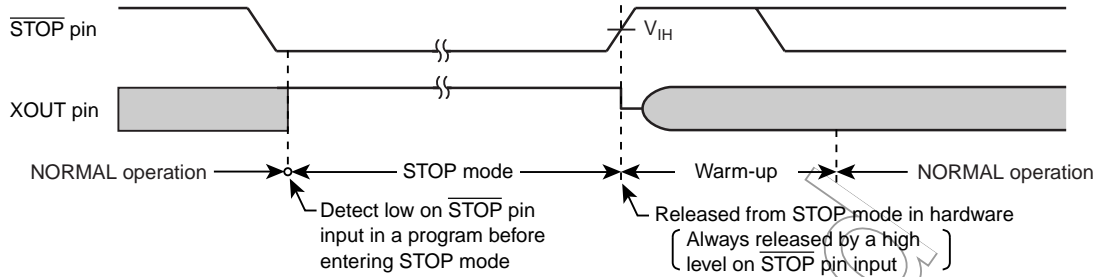


Figure 2-7 Released from STOP Mode by Level

Note 1: Once warm-up starts, the device does not return to STOP mode even when the  $\overline{\text{STOP}}$  pin input is pulled low again.

Note 2: If RELM is changed to 1 (level mode) after being set to 0 (edge mode), STOP mode remains unchanged unless a rising edge on  $\overline{\text{STOP}}$  pin input is detected.

a. Released by edge (when RELM = 0)

The device is released from STOP mode by a rising edge on  $\overline{\text{STOP}}$  pin input. This method is used in applications where a relatively short time of program processing is repeated at certain fixed intervals. Apply a fixed-period signal (e.g., clock from the low-power oscillating source) to the  $\overline{\text{STOP}}$  pin. When RELM = 0 (edge mode), the device is placed in STOP mode even when the  $\overline{\text{STOP}}$  pin input level is high.

Example :Entering STOP mode from NORMAL mode

```
DI ; IMF ← 0
LD (SYSCR1), 10010000B ; Set to be released by edge when entering STOP mode
```

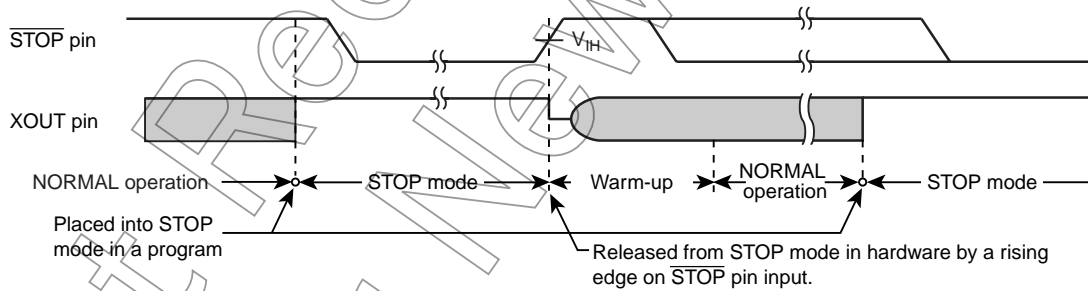


Figure 2-8 Released from STOP Mode by Edge

The device is released from STOP mode following the sequence described below.

1. Only the high-frequency oscillator is oscillating.
2. A warm-up time is inserted in order to allow for the clock oscillation to stabilize. During warm-up, the internal circuits remain idle. The warm-up time can be selected from three choices according to the oscillator characteristics by using SYSCR1<WUT>.
3. After an elapse of the warm-up time, the device restarts normal operation beginning with the instruction next to one that placed it in STOP mode. At this time, the prescaler and divider for the timing generator start from the zero-cleared state.

Table 2-2 Warm-up Time (Example:  $f_c = 20$  MHz)

WUT	Warm-up Time [ms]	
	When Returning to NORMAL Mode	
	DV1CK = 0	DV1CK = 1
00	9.831	19.662
01	3.277	6.554
10	0.819	1.638
11	Reserved	Reserved

Note: Because the warm-up time is obtained from the fundamental clock by dividing it, if the oscillation frequency fluctuates while exiting STOP mode, the warm-up time becomes to have some error. Therefore, the warm-up time must be handled as an approximate value.

The device can also be released from STOP mode by pulling the RESET pin input low, in which case the device is immediately reset as is normally reset by RESET. After reset, the device starts operating from NORMAL mode.

Note: When exiting STOP mode while the device is retained at low voltage, the following caution is required.

Before exiting STOP mode, the power supply voltage must be raised to the operating voltage. At this time, the RESET pin level also is high and rises along with the power supply voltage. If the device has a time-constant circuit added external to the chip, the voltage on RESET pin input does not rise as fast as the power supply voltage. Therefore, if the voltage level on RESET pin input is below the RESET pin's noninverted, high-level input voltage (hysteresis input), the device may be reset.

Not for New Design



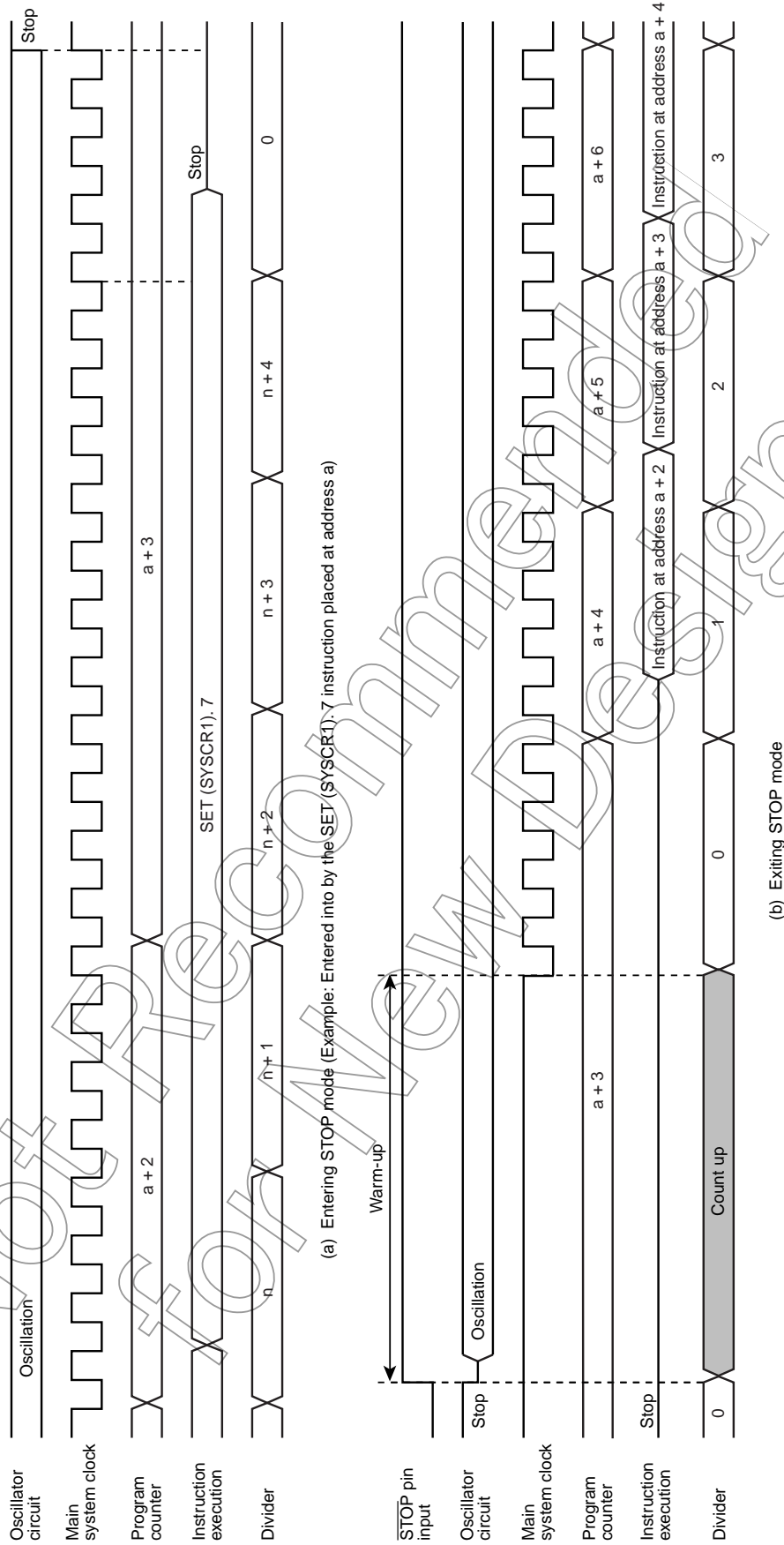


Figure 2-9 Entering and Exiting STOP Mode (when DV1CK = 0)

(2) IDLE mode

IDLE mode is controlled by System Control Register 2 (SYSCR2) and a maskable interrupt. During IDLE mode, the device retains the following state.

1. The CPU and watchdog timer stop operating.  
The peripheral hardware continues operating.
2. The data memory, register, program status word, and port output latch hold the state in which they were immediately before entering IDLE mode.
3. The program counter holds the instruction address two instructions ahead the one that placed the device in IDLE mode.

Example :Placing the device in IDLE mode

SET (SYSCR2) . 4

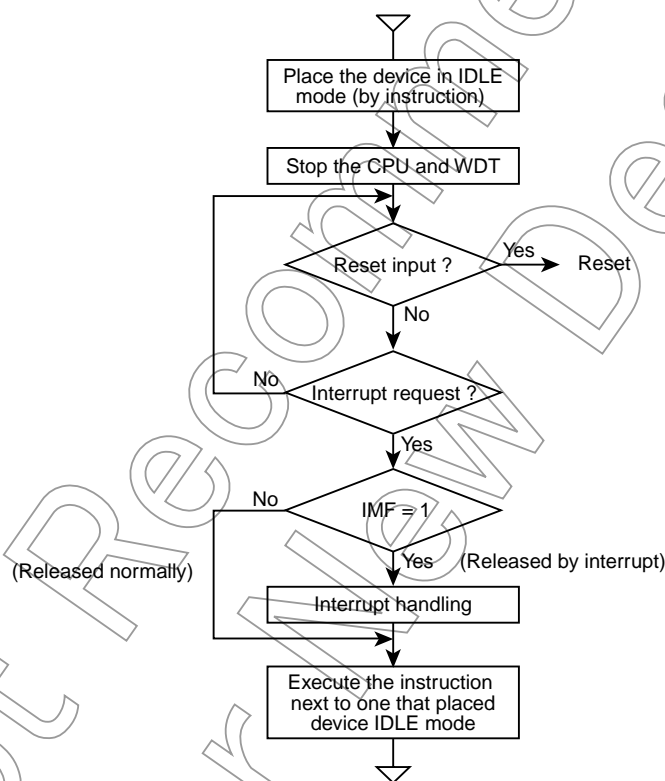


Figure 2-10 IDLE Mode

The device can be released from IDLE mode normally or by an interrupt as selected with the interrupt master enable flag (IMF).

a. Released normally (when IMF = 0)

The device can be released from IDLE mode by the interrupt source enabled by the interrupt individual enable flag (EF), and restarts execution beginning with the instruction next to one that placed it in IDLE mode. The interrupt latch (IL) for the interrupt source used to exit IDLE mode normally needs to be cleared to 0 using a load instruction.

b. Released by interrupt (when IMF = 1)

The device can be released from IDLE mode by the interrupt source enabled by the interrupt individual enable flag (EF), and enters interrupt handling. After interrupt handling, the device returns to the instruction next to one that placed it in IDLE mode.

The device can also be released from IDLE mode by pulling the RESET pin input low, in which case the device is immediately reset as is normally reset by RESET. After reset, the device starts operating from NORMAL mode.

Note: If a watchdog timer interrupt occurs immediately before entering IDLE mode, the device processes the watchdog timer interrupt without entering IDLE mode.

Not Recommended for New Designs

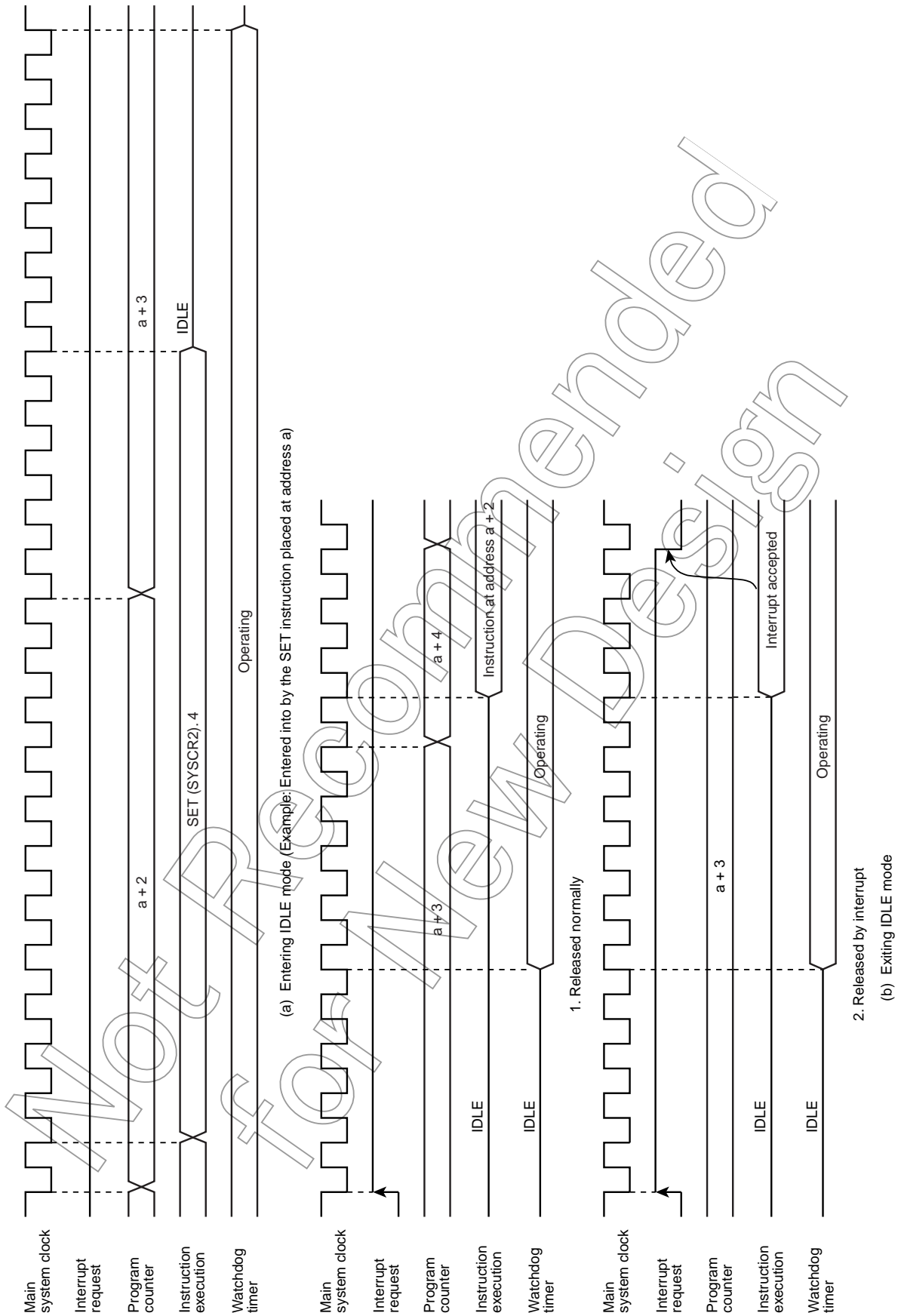


Figure 2-11 Entering and Exiting IDLE Mode

### 2.1.5 Reset Circuit

The TMP88FW45AFG has five ways to generate a reset: external reset input, address trap reset, watchdog timer reset, system clock reset and oscillation frequency detection reset.

Table 2-3 shows how the internal hardware is initialized by reset operation.

At power-on time, the internal cause reset circuits (watchdog timer reset, address trap reset, and system clock reset) are not initialized.

Table 2-3 Internal Hardware Initialization by Reset Operation

Internal Hardware	Initial Value	Internal Hardware	Initial Value
Program Counter (PC)	(FFFFEH to FFFFCH)	Prescaler and divider for the timing generator	0
Stack Pointer (SP)	Not initialized		
General-purpose Registers (W, A, B, C, D, E, H, L)	Not initialized		
Register Bank Selector (RBS)	0	Watchdog timer	Enable
Jump Status Flag (JF)	1		
Zero Flag (ZF)	Not initialized	Output latch of input/output port	See description of each input/output port.
Carry Flag (CF)	Not initialized		
Half Carry Flag (HF)	Not initialized		
Sign Flag (SF)	Not initialized		
Overflow Flag (VF)	Not initialized		
Interrupt Master Enable Flag (IMF)	0		
Interrupt Individual Enable Flag (EF)	0	Control register	See description of each control register.
Interrupt Latch (IL)	0		
Interrupt Nesting Flag (INF)	0	RAM	Not initialized

#### 2.1.5.1 External Reset Input

The  $\overline{\text{RESET}}$  pin is a hysteresis input with a pull-up resistor included. By holding the  $\overline{\text{RESET}}$  pin low for at least three machine cycles ( $12/f_c$  [s]) or more while the power supply voltage is within the rated operating voltage range and the oscillator is oscillating stably, the device is reset and its internal state is initialized.

When the  $\overline{\text{RESET}}$  pin input is released back high, the device is freed from reset and starts executing the program beginning with the vector address stored at addresses FFFFCH to FFFFEH.

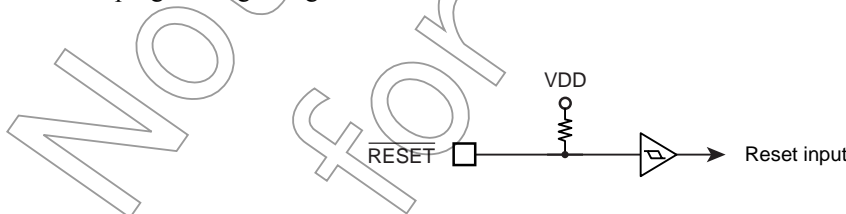


Figure 2-12 Reset Circuit

#### 2.1.5.2 Address Trap Reset

If the CPU should start looping for reasons of noise, etc. and attempts to fetch instructions from the internal RAM, SFR or DBR/EBR area, the device generates an internal reset.

The address trap permission/prohibition is set by the address trap reset control register (ATAS, ATKEY). The address trap is permitted initially and the internal reset is generated by fetching from internal RAM, SFR or DBR/EBR area. If the address trap is prohibited, instructions in the internal RAM area can be executed.

### Address Trap Control Register

ATAS (1F94H)	7	6	5	4	3	2	1	0	
	-	-	-	-	-	-	-	ATAS	(initial value: **** **0)

ATAS	Select the address trap permission / prohibition	0: Permit address trap 1: Prohibit address trap (It may be available after setting control code for ATKEY register)	Write only
------	--------------------------------------------------	---------------------------------------------------------------------------------------------------------------------------	------------

### Address Trap Control Code Register

ATKEY (1F95H)	7	6	5	4	3	2	1	0	
									(initial value: **** ***)

ATKEY	Write control code to prohibit address trap	D2H: Address trap prohibition code Others: Ineffective	Write only
-------	---------------------------------------------	-----------------------------------------------------------	------------

Note: Read-modify-write instructions, such as a bit manipulation, cannot access ATAS or ATKEY register because these register are write only.

Note 1: In development tools, address trap cannot be prohibited in the internal RAM, SFR or DBR/EBR area with the address trap control registers. When using development tools, even if the address trap permission/prohibition setting is changed in the user's program, this change is ineffective. To execute instructions from the RAM area, development tools must be set accordingly.

Note 2: While the SWI instruction at an address immediately before the address trap area is executing, the program counter is incremented to point to the next address in the address trap area; an address trap is therefore taken immediately.

#### Development tool setting

- To prohibit the address trap:
  1. Modify the iram (mapping attribute) area to (00040H to 000BFH) in the memory map window.
  2. Set 000C0H to "address trap prohibition area" as a new eram (mapping attribute) area.
  3. Load the user program
  4. Execute the address trap prohibition code in the user's program

#### 2.1.5.3 Watchdog Timer Reset

Refer to the Section "Watchdog Timer."

#### 2.1.5.4 System Clock Reset

When SYSCR2<XEN> is cleared to 0 or when SYSCR2<XEN> is cleared to 0 while SYSCR2<SYSCK> = 0, the system clock is turned off, causing the CPU to become locked up. To prevent this problem, upon detecting SYSCR2<XEN> = 0, SYSCR2<XEN> = SYSCR2<SYSCK> = 0 or SYSCR2<SYSCK> = 1, the device automatically generates an internal reset signal to let the system clock continue oscillating.

#### 2.1.5.5 Oscillation Frequency Detection Reset

The oscillation frequency detector generates a reset for I/O if the oscillation of high frequency is lower than a lower detection frequency, or higher than an upper detection frequency. Refer to Section "Oscillation Frequency Detector".

### 3. Interrupt Control Circuit

The TMP88FW45AFG has a total of 36 interrupt sources excluding reset. Interrupts can be nested with priorities. Two of the internal interrupt sources are pseudo non-maskable while the rest are maskable.

Interrupt sources are provided with interrupt latches (IL), which hold interrupt requests, and independent vectors. The interrupt latch is set to “1” by the generation of its interrupt request which requests the CPU to accept its interrupts. Interrupts are enabled or disabled by software using the interrupt master enable flag (IMF) and interrupt enable flag (EF). If more than one interrupts are generated simultaneously, interrupts are accepted in order which is dominated by hardware. However, there are no prioritized interrupt factors among non-maskable interrupts.

Interrupt Factors		Enable Condition	Interrupt Latch	Vector Address	Priority
Internal/External	(Reset)	Non-maskable	-	FFFFC	High 0
Internal	INTSWI (Software interrupt)	Pseudo non-maskable	-	FFFF8	1
Internal	INTWDT (Watchdog timer interrupt)	Pseudo non-maskable	IL2	FFFF4	2
External	INT0 (External interrupt 0)	IMF · EF3 = 1, INT0EN = 1	IL3	FFFF0	3
	Reserved	IMF · EF4 = 1	IL4	FFFE4	4
External	INT1 (External interrupt 1)	IMF · EF5 = 1	IL5	FFFE8	5
Internal	INTTBT (TBT interrupt)	IMF · EF6 = 1	IL6	FFFE4	6
	Reserved	IMF · EF7 = 1	IL7	FFFE0	7
Internal	INTEMG1 (ch1 Error detect interrupt)	IMF · EF8 = 1	IL8	FFFD4	8
Internal	INTEMG2 (ch2 Error detect interrupt)	IMF · EF9 = 1	IL9	FFFD8	9
Internal	INTCLM1 (ch1 Overload protection interrupt)	IMF · EF10 = 1	IL10	FFFD4	10
Internal	INTCLM2 (ch2 Overload protection interrupt)	IMF · EF11 = 1	IL11	FFFD0	11
Internal	INTTMR31 (ch1 Timer 3 interrupt)	IMF · EF12 = 1	IL12	FFFC4	12
Internal	INTTMR32 (ch2 Timer 3 interrupt)	IMF · EF13 = 1	IL13	FFFC8	13
	Reserved	IMF · EF14 = 1	IL14	FFFC4	14
External	INT5 (External interrupt 5)	IMF · EF15 = 1	IL15	FFFC0	15
Internal	INTPDC1 (ch1 Position detect interrupt)	IMF · EF16 = 1	IL16	FFFB4	16
Internal	INTPDC2 (ch2 Position detect interrupt)	IMF · EF17 = 1	IL17	FFFB8	17
Internal	INTPWM1 (ch1 Waveform generates interrupt)	IMF · EF18 = 1	IL18	FFFB4	18
Internal	INTPWM2 (ch2 Waveform generates interrupt)	IMF · EF19 = 1	IL19	FFFB0	19
Internal	INTEDT1 (ch1 Electric angle Timer interrupt)	IMF · EF20 = 1	IL20	FFFAC	20
Internal	INTEDT2 (ch2 Electric angle Timer interrupt)	IMF · EF21 = 1	IL21	FFFA8	21
Internal	INTTMR11 (ch1 Timer1 interrupt)	IMF · EF22 = 1	IL22	FFFA4	22
Internal	INTTMR12 (ch2 Timer1 interrupt)	IMF · EF23 = 1	IL23	FFFA0	23
Internal	INTTMR21 (ch1 Timer2 interrupt)	IMF · EF24 = 1	IL24	FFF9C	24
Internal	INTTMR22 (ch2 Timer2 interrupt)	IMF · EF25 = 1	IL25	FFF98	25
Internal	INTTC1 (TC1 interrupt)	IMF · EF26 = 1	IL26	FFF94	26
Internal	INTCTC (CTC interrupt)	IMF · EF27 = 1	IL27	FFF90	27
Internal	INTTC6 (TC6 8bit/16bit interrupt)	IMF · EF28 = 1	IL28	FFF8C	28
External	INT2 (External interrupt 2)	IMF · EF29 = 1	IL29	FFF88	29
Internal	INTRXD2 (ch2 UART receive interrupt)	IMF · EF30 = 1	IL30	FFF84	30
External	INT4 (External interrupt 4)	IMF · EF31 = 1	IL31	FFF80	31
Internal	INTRXD (ch1 UART receive interrupt)	IMF · EF32 = 1	IL32	FFF7C	32
Internal	INTTXD (ch1 UART transmit interrupt)	IMF · EF33 = 1	IL33	FFF78	33
Internal	INTSIO (SIO interrupt)	IMF · EF34 = 1	IL34	FFF74	34
Internal	INTTC3 (TC3 interrupt)	IMF · EF35 = 1	IL35	FFF70	35
Internal	INTTC4 (TC4 interrupt)	IMF · EF36 = 1	IL36	FFF6C	36
Internal	INTTC5 (TC5 interrupt)	IMF · EF37 = 1	IL37	FFF68	37
Internal	INTADC (A/D converter interrupt)	IMF · EF38 = 1	IL38	FFF64	38
Internal	INTTXD2 (ch2 UART transmit interrupt)	IMF · EF39 = 1	IL39	FFF60	Low 39

Note 1: To use the watchdog timer interrupt (INTWDT), clear WDTCR1<WDTOUT> to "0" (It is set for the "Reset request" after reset is released). It is described in the section "Watchdog Timer" for details.

### 3.1 Interrupt latches (IL39 to IL2)

An interrupt latch is provided for each interrupt source, except for a software interrupt and an executed the undefined instruction interrupt. When interrupt request is generated, the latch is set to "1", and the CPU is requested to accept the interrupt if its interrupt is enabled. The interrupt latch is cleared to "0" immediately after accepting interrupt. All interrupt latches are initialized to "0" during reset.

The interrupt latches are located on address 003CH, 003DH, 002EH, 002FH and 002BH in SFR area. Each latch can be cleared to "0" individually by instruction. However, IL2 and IL3 should not be cleared to "0" by software. For clearing the interrupt latch, load instruction should be used and then IL2 should be set to "1". If the read-modify-write instructions such as bit manipulation or operation instructions are used, interrupt request would be cleared inadequately if interrupt is requested while such instructions are executed.

Since interrupt latches can be read, the status for interrupt requests can be monitored by software. But interrupt latches are not set to "1" by an instruction.

Note: In main program, before manipulating the interrupt enable flag (EF) or the interrupt latch (IL), be sure to clear IMF to "0" (Disable interrupt by DI instruction). Then set IMF newly again as required after operating on the EF or IL (Enable interrupt by EI instruction)

In interrupt service routine, because the IMF becomes "0" automatically, clearing IMF need not execute normally on interrupt service routine. However, if using multiple interrupt on interrupt service routine, manipulating EF or IL should be executed before setting IMF="1".

#### Example 1 :Clears interrupt latches

```
DI                ; IMF ← 0
LD    (ILL), 1110100000111111B ; IL2 to IL7 ← 0
LD    (ILH), 1110100000111111B ; IL8 to IL15 ← 0
LD    (ILE), 1110100000111111B ; IL16 to IL23 ← 0
LD    (ILD), 1110100000111111B ; IL24 to IL31 ← 0
LD    (ILC), 1110100000111111B ; IL32 to IL39 ← 0
EI                ; IMF ← 1
```

#### Example 2 :Reads interrupt latches

```
LD    WA, (ILL) ; W ← (ILH), A ← (ILL)
LD    BC, (ILE) ; B ← (ILD), C ← (ILE)
LD    D, (ILC) ; D ← (ILC)
```

#### Example 3 :Tests interrupt latches

```
TEST (ILL). 7 ; if IL7 = 1 then jump
JR   F, SSET
```



## 3.2 Interrupt enable register (EIR)

The interrupt enable register (EIR) enables and disables the acceptance of interrupts, except for the pseudo non-maskable interrupts (Software interrupt, undefined instruction interrupt, address trap interrupt and watchdog interrupt). Pseudo non-maskable interrupt is accepted regardless of the contents of the EIR.

The EIR consists of an interrupt master enable flag (IMF) and the individual interrupt enable flags (EF). These registers are located on address 003AH, 003BH, 002CH, 002DH and 002AH in SFR area, and they can be read and written by an instructions (Including read-modify-write instructions such as bit manipulation or operation instructions).

### 3.2.1 Interrupt master enable flag (IMF)

The interrupt enable register (IMF) enables and disables the acceptance of the whole maskable interrupt. While IMF = "0", all maskable interrupts are not accepted regardless of the status on each individual interrupt enable flag (EF). By setting IMF to "1", the interrupt becomes acceptable if the individuals are enabled.

When an interrupt is accepted, IMF is cleared to "0" after the latest status on IMF is stacked. Thus the maskable interrupts which follow are disabled temporarily. IMF flag is set to "1" by the maskable interrupt return instruction [RETI] after executing the interrupt service program routine, and MCU can accept the interrupt again. The latest interrupt request is generated already, it is available immediately after the [RETI] instruction is executed.

On the pseudo non-maskable interrupt, the non-maskable return instruction [RETN] is adopted. In this case, IMF flag is set to "1" only when it performs the pseudo non-maskable interrupt service routine on the interrupt acceptable status (IMF=1). However, IMF is set to "0" in the pseudo non-maskable interrupt service routine, it maintains its status (IMF="0").

The IMF is located on bit0 in EIRL (Address: 003AH in SFR), and can be read and written by an instruction. The IMF is normally set and cleared by [EI] and [DI] instruction respectively. During reset, the IMF is initialized to "0".

### 3.2.2 Individual interrupt enable flags (EF39 to EF3)

Each of these flags enables and disables the acceptance of its maskable interrupt. Setting the corresponding bit of an individual interrupt enable flag to "1" enables acceptance of its interrupt, and setting the bit to "0" disables acceptance. During reset, all the individual interrupt enable flags (EF39 to EF3) are initialized to "0" and all maskable interrupts are not accepted until they are set to "1".

Note: In main program, before manipulating the interrupt enable flag (EF) or the interrupt latch (IL), be sure to clear IMF to "0" (Disable interrupt by DI instruction). Then set IMF newly again as required after operating on the EF or IL (Enable interrupt by EI instruction)

In interrupt service routine, because the IMF becomes "0" automatically, clearing IMF need not execute normally on interrupt service routine. However, if using multiple interrupt on interrupt service routine, manipulating EF or IL should be executed before setting IMF="1".

Example: Enables interrupts individually and sets IMF

```
DI                                ; IMF ← 0
SET    (EIRL), .5                 ; EF5 ← 1
CLR    (EIRL), .6                 ; EF6 ← 0
CLR    (EIRH), .4                 ; EF12 ← 0
CLR    (EIRD), .0                 ; EF24 ← 0
:
EI                                ; IMF ← 1
```

Interrupt Latches

(Initial value: 0\*000000 \*00\*0000)

ILH,ILL (003DH, 003CH)	15	14	13	12	11	10	9	8	7	6	5	4	3	2	1	0
	IL15	-	IL13	IL12	IL11	IL10	IL9	IL8	-	IL6	IL5	-	IL3	IL2	INF	

ILH (003DH)

ILL (003CH)

(Initial value: 00000000 00000000)

ILD,ILE (002FH, 002EH)	15	14	13	12	11	10	9	8	7	6	5	4	3	2	1	0
	IL31	IL30	IL29	IL28	IL27	IL26	IL25	IL24	IL23	IL22	IL21	IL20	IL19	IL18	IL17	IL16

ILD (002FH)

ILE (002EH)

(Initial value: 00000000)

ILC (002BH)	7	6	5	4	3	2	1	0
	IL39	IL38	IL37	IL36	IL35	IL34	IL33	IL32

ILE (002BH)

IL39 to IL2	Interrupt latches	Read	Write	R/W
		0: No interrupt request 1: Interrupt request	0: Clears the interrupt request (Note1) 1: (Unable to set interrupt latch)	
INF	Interrupt Nesting Flag	00: Out-of interrupt service 01: On interrupt service of level 1 10: On interrupt service of more than level 2 11: On interrupt service of more than level 3	00: Reserved 01: Clear the nesting counter 10: Count-down 1 step for the nesting counter (Note2) 11: Reserved	

Note 1: IL2 cannot alone be cleared.

Note 2: Unable to detect the under-flow of counter.

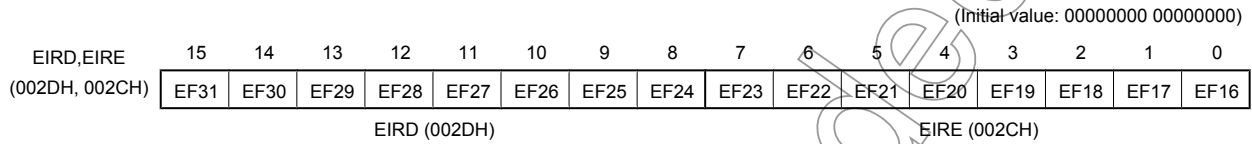
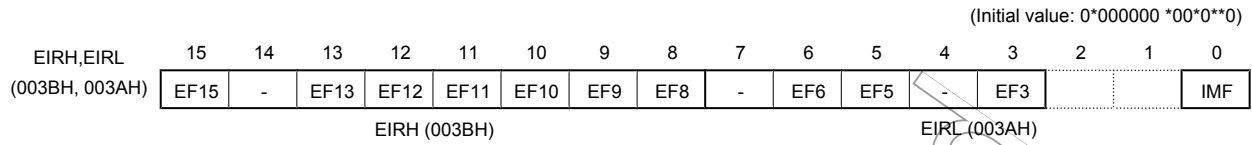
Note 3: The nesting counter is set "0" initially, it performs count-up by the interrupt acceptance and count-down by executing the interrupt return instruction.

Note 4: In main program, before manipulating the interrupt enable flag (EF) or the interrupt latch (IL), be sure to clear IMF to "0" (Disable interrupt by DI instruction). Then set IMF newly again as required after operating on the EF or IL (Enable interrupt by EI instruction).

In interrupt service routine, because the IMF becomes "0" automatically, clearing IMF need not execute normally on interrupt service routine. However, if using multiple interrupt on interrupt service routine, manipulating EF or IL should be executed before setting IMF="1".

Note 5: Do not clear IL with read-modify-write instructions such as bit operations.

Interrupt Enable Registers



EF39 to EF3	Individual-interrupt enable flag (Specified for each bit)	0: Disables the acceptance of each maskable interrupt. 1: Enables the acceptance of each maskable interrupt.	R/W
IMF	Interrupt master enable flag	0: Disables the acceptance of all maskable interrupts 1: Enables the acceptance of all maskable interrupts	

Note 1: Do not set IMF and the interrupt enable flag (EF39 to EF3) to "1" at the same time.

Note 2: In main program, before manipulating the interrupt enable flag (EF) or the interrupt latch (IL), be sure to clear IMF to "0" (Disable interrupt by DI instruction). Then set IMF newly again as required after operating on the EF or IL (Enable interrupt by EI instruction)

In interrupt service routine, because the IMF becomes "0" automatically, clearing IMF need not execute normally on interrupt service routine. However, if using multiple interrupt on interrupt service routine, manipulating EF or IL should be executed before setting IMF="1".

Not Recommended for New Design

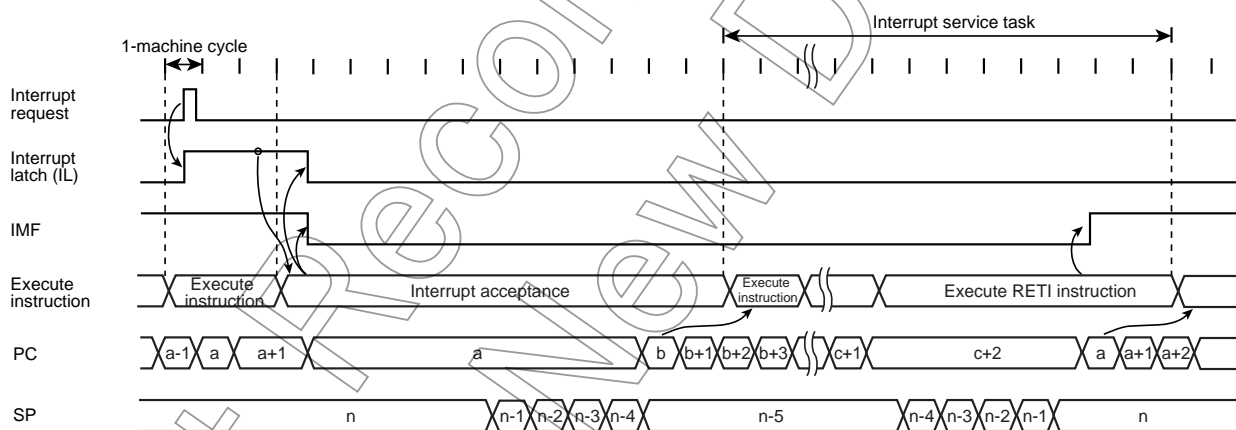
### 3.3 Interrupt Sequence

An interrupt request, which raised interrupt latch, is held, until interrupt is accepted or interrupt latch is cleared to “0” by resetting or an instruction. Interrupt acceptance sequence requires 12 machine cycles (2.4 μs @20 MHz) after the completion of the current instruction. The interrupt service task terminates upon execution of an interrupt return instruction [RETI] (for maskable interrupts) or [RETN] (for non-maskable interrupts). Figure 3-1 shows the timing chart of interrupt acceptance processing.

#### 3.3.1 Interrupt acceptance processing is packaged as follows.

- The interrupt master enable flag (IMF) is cleared to “0” in order to disable the acceptance of any following interrupt.
- The interrupt latch (IL) for the interrupt source accepted is cleared to “0”.
- The contents of the program counter (PC) and the program status word, including the interrupt master enable flag (IMF), are saved (Pushed) on the stack in sequence of PSWH, PSWL, PCE, PCH, PCL. Meanwhile, the stack pointer (SP) is decremented by 5.
- The entry address (Interrupt vector) of the corresponding interrupt service program, loaded on the vector table, is transferred to the program counter.
- Read the RBS control code from the vector table, add its MSB(4bit) to the register bank selector (RBS).
- Count up the interrupt nesting counter.
- The instruction stored at the entry address of the interrupt service program is executed.

Note: When the contents of PSW are saved on the stack, the contents of IMF are also saved.



Note 1: a: Return address, b: Entry address, c: Address which RETI instruction is stored

Note 2: On condition that interrupt is enabled, it takes 62/fc [s] at maximum (If the interrupt latch is set at the first machine cycle on 15 cycle instruction) to start interrupt acceptance processing since its interrupt latch is set.

Figure 3-1 Timing Chart of Interrupt Acceptance/Return Interrupt Instruction

Example: Correspondence between vector table address for INTTBT and the entry address of the interrupt service program

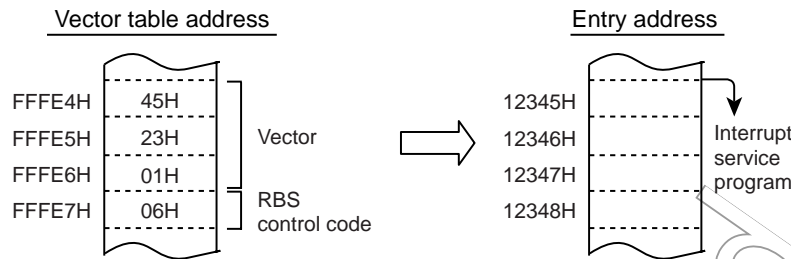


Figure 3-2 Vector table address, Entry address

A maskable interrupt is not accepted until the IMF is set to “1” even if the maskable interrupt higher than the level of current servicing interrupt is requested.

In order to utilize nested interrupt service, the IMF is set to “1” in the interrupt service program. In this case, acceptable interrupt sources are selectively enabled by the individual interrupt enable flags. But don’t use the read-modify-write instruction for EIRL(0003AH) on the pseudo non-maskable interrupt service task.

To avoid overloaded nesting, clear the individual interrupt enable flag whose interrupt is currently serviced, before setting IMF to “1”. As for non-maskable interrupt, keep interrupt service shorten compared with length between interrupt requests; otherwise the status cannot be recovered as non-maskable interrupt would simply nested.

### 3.3.2 Saving/restoring general-purpose registers

During interrupt acceptance processing, the program counter (PC) and the program status word (PSW, includes IMF) are automatically saved on the stack, but the accumulator and others are not. These registers are saved by software if necessary. When multiple interrupt services are nested, it is also necessary to avoid using the same data memory area for saving registers. The following four methods are used to save/restore the general-purpose registers.

#### 3.3.2.1 Using Automatic register bank switching

By switching to non-use register bank, it can restore the general-purpose register at high speed.

Usually the bank register "0" is assigned for main task and the bank register "1 to 15" are for the each interrupt service task. To make up its data memory efficiency, the common bank is assigned for non-multiple interrupt factor.

It can return back to main-flow by executing the interrupt return instructions ([RETI]/[RETN]) from the current interrupt register bank automatically. Thus, no need to restore the RBS by a program.

#### Example: Register bank switching

```

PINTxx:      (interrupt processing)                                ; Begin of interrupt routine
              RETI                                              ; End of interrupt
              :
VINTxx:      DP          PINTxx                                  ; PINTxx vector address setting
              DB          1                                    ; RBS <- RBS + 1 RBS setting on PINTxx
    
```

#### 3.3.2.2 Using register bank switching

By switching to non-use register bank, it can restore the general-purpose register at high speed. Usually the bank register "0" is assigned for main task and the bank register "1 to 15" are for the each interrupt service task.

Example :Register bank switching

```

PINTxx:    LD      RBS, n          ; RBS <- n Begin of interrupt routine
           (interrupt processing)
           RETI                    ; End of interrupt, restore RBS and interrupt return
           :
VINTxx:    DP      PINTxx         ; PINTxx vector address setting
           DB      0              ; RBS <- RBS + 0 RBS setting on PINTxx
    
```

3.3.2.3 Using PUSH and POP instructions

If only a specific register is saved or interrupts of the same source are nested, general-purpose registers can be saved/restored using the PUSH/POP instructions.

Example :Save/store register using PUSH and POP instructions

```

PINTxx:    PUSH   WA              ; Save WA register
           (interrupt processing)
           POP    WA              ; Restore WA register
           RETI                    ; RETURN
    
```

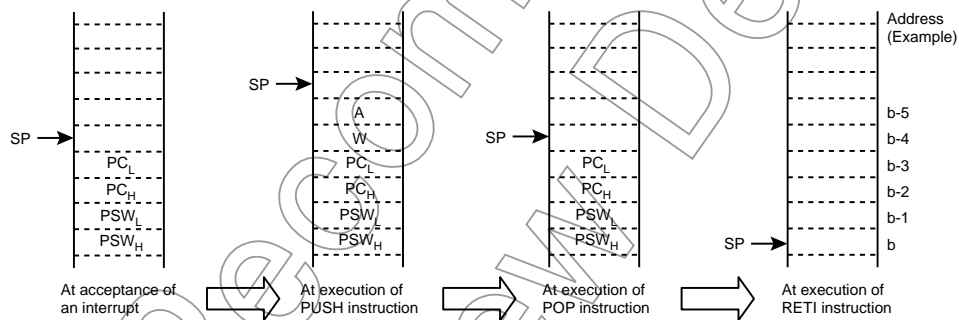


Figure 3-3 Save/store register using PUSH and POP instructions

3.3.2.4 Using data transfer instructions

To save only a specific register without nested interrupts, data transfer instructions are available.

Example :Save/store register using data transfer instructions

```

PINTxx:    LD      (GSAVA), A     ; Save A register
           (interrupt processing)
           LD      A, (GSAVA)    ; Restore A register
           RETI                    ; Return
    
```

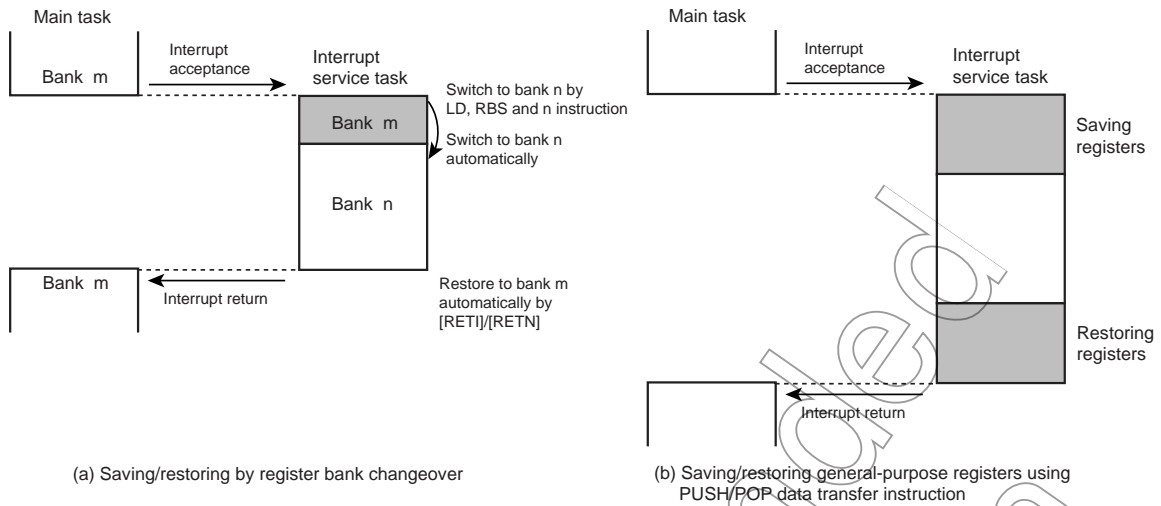


Figure 3-4 Saving/Restoring General-purpose Registers under Interrupt Processing

### 3.3.3 Interrupt return

Interrupt return instructions [RETI]/[RETN] perform as follows.

[RETI] Maskable Interrupt Return	[RETN] Non-maskable Interrupt Return
<ol style="list-style-type: none"> <li>1. The contents of the program counter and the program status word are restored from the stack.</li> <li>2. The stack pointer is incremented 5 times.</li> <li>3. The interrupt master enable flag is set to "1".</li> <li>4. The interrupt nesting counter is decremented, and the interrupt nesting flag is changed.</li> </ol>	<ol style="list-style-type: none"> <li>1. The contents of the program counter and the program status word are restored from the stack.</li> <li>2. The stack pointer is incremented 5 times.</li> <li>3. The interrupt master enable flag is set to "1" only when a non-maskable interrupt is accepted in interrupt enable status. However, the interrupt master enable flag remains at "0" when so clear by an interrupt service program.</li> <li>4. The interrupt nesting counter is decremented, and the interrupt nesting flag is changed.</li> </ol>

Interrupt requests are sampled during the final cycle of the instruction being executed. Thus, the next interrupt can be accepted immediately after the interrupt return instruction is executed.

Note: When the interrupt processing time is longer than the interrupt request generation time, the interrupt service task is performed but not the main task.

## 3.4 Software Interrupt (INTSW)

Executing the SWI instruction generates a software interrupt and immediately starts interrupt processing (INTSW is highest prioritized interrupt). However, if processing of a non-maskable interrupt is already underway, executing the SWI instruction will not generate a software interrupt but will result in the same operation as the NOP instruction.

Use the SWI instruction only for detection of the address error or for debugging.

### 3.4.1 Address error detection

FFH is read if for some cause such as noise the CPU attempts to fetch an instruction from a non-existent memory address during single chip mode. Code FFH is the SWI instruction, so a software interrupt is generated and an address error is detected. The address error detection range can be further expanded by writing FFH to unused areas of the program memory. Address trap reset is generated in case that an instruction is fetched from RAM, DBR or SFR areas.

### 3.4.2 Debugging

Debugging efficiency can be increased by placing the SWI instruction at the software break point setting address.

Not Recommended  
for New Design



### 3.5 External Interrupts

The TMP88FW45AFG has 5 external interrupt inputs. These inputs are equipped with digital noise reject circuits (Pulse inputs of less than a certain time are eliminated as noise).

Edge selection is also possible with INT1, INT2 and INT4. The  $\overline{\text{INT0}}$ /P10 pin can be configured as either an external interrupt input pin or an input/output port, and is configured as an input port during reset.

Edge selection, and noise reject control and  $\overline{\text{INT0}}$ /P10 pin function selection are performed by the external interrupt control register (EINTCR).

Source	Pin	Sub-Pin	Enable Conditions	Release Edge (level)	Digital Noise Reject
INT0	$\overline{\text{INT0}}$	P10	IMF + EF3 + INT0EN=1	Falling edge	Pulses of less than 2/fc [s] are eliminated as noise. Pulses of 6/fc [s] or more are considered to be signals. (at CGCR<DV1CK>=0).
INT1	INT1	P11	IMF + EF5 = 1	Falling edge or Rising edge	Pulses of less than 15/fc or 63/fc [s] are eliminated as noise. Pulses of 48/fc or 192/fc [s] or more are considered to be signals. (at CGCR<DV1CK>=0).
INT2	INT2	P12/TC1	IMF + EF29 = 1		Pulses of less than 7/fc [s] are eliminated as noise. Pulses of 24/fc [s] or more are considered to be signals. (at CGCR<DV1CK>=0).
INT4	INT4	P22/TC4	IMF + EF31 = 1		
INT5	$\overline{\text{INT5}}$	P20/ $\overline{\text{STOP}}$	IMF + EF15 = 1	Falling edge	Pulses of less than 2/fc [s] are eliminated as noise. (Pulses of 6/fc [s] or more are considered to be signals.)

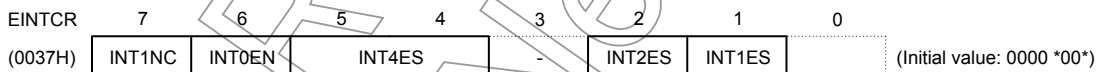
Note 1: In NORMAL or IDLE mode, if a signal with no noise is input on an external interrupt pin, it takes a maximum of "signal establishment time" from the input signal's edge to set the interrupt latch.

- (1) INT1 pin 49/fc [s] ( at EINTCR<INT1NC> = "1" ), 193/fc [s] ( at EINTCR<INT1NC> = "0" )
- (2) INT2 , 4 pins 25/fc [s]

Note 2: When EINTCR<INT0EN> = "0", IL3 is not set even if a falling edge is detected on the  $\overline{\text{INT0}}$  pin input.

Note 3: When a pin with more than one function is used as an output and a change occurs in data or input/output status, an interrupt request signal is generated in a pseudo manner. In this case, it is necessary to perform appropriate processing such as disabling the interrupt enable flag.

#### External Interrupt Control Register



INT1NC	Noise reject time select	0: Pulses of less than 63/fc [s] are eliminated as noise 1: Pulses of less than 15/fc [s] are eliminated as noise	R/W
INT0EN	P10/ $\overline{\text{INT0}}$ pin configuration	0: P10 input/output port 1: $\overline{\text{INT0}}$ pin (Port P10 should be set to an input mode)	R/W
INT4ES	INT4 edge select	00: Rising edge 01: Falling edge 10: Rising edge and Falling edge 11: H level	R/W
INT2ES	INT2 edge select	0: Rising edge 1: Falling edge	R/W
INT1ES	INT1 edge select		

Note 1: fc: High-frequency clock [Hz], \*: Don't care

Note 2: When the external interrupt control register (EINTCR) is overwritten, the noise canceller may not operate normally. It is recommended that external interrupts are disabled using the interrupt enable register (EIR).

Note 3: The maximum time from modifying EINTCR<INT1NC> until a noise reject time is changed is 2<sup>9</sup>/fc.

Note 4: In case  $\overline{\text{RESET}}$  pin is released while the state of INT4 pin keeps "H" level, the external interrupt 4 request is not generated even if the INT4 edge select(EINTCR<INT4ES>) is specified as "H" level. The rising edge is needed after  $\overline{\text{RESET}}$  pin is released.

Not Recommended  
for New Design

## 4. Special Function Register

The TMP88FW45AFG adopts the memory mapped I/O system, and all peripheral control and transfers are performed through the special function register (SFR) or the data buffer register (DBR,EBR). The SFR is mapped on address 0000H to 003FH, DBR is mapped on address 1F80H to 1FFFH and EBR is mapped on address 1F70H to 1F7FH.

This chapter shows the arrangement of the special function register (SFR) and data buffer register (DBR,EBR) for TMP88FW45AFG.

### 4.1 SFR

Address	Read	Write
0000H		P0DR
0001H		P1DR
0002H		P2DR
0003H		P3DR
0004H		P4DR
0005H		P5DR
0006H		P6DR
0007H		P7DR
0008H		P8DR
0009H		P9DR
000AH		P0CR
000BH		P1CR
000CH		HPWMCR
000DH		HPWMDR0
000EH		HPWMDR1
000FH		TC1CR
0010H		TC1DRAL
0011H		TC1DRAH
0012H		TC1DRBL
0013H		TC1DRBH
0014H		CTC1CR1
0015H		CTC1CR2
0016H	-	CTC1DRL
0017H	-	CTC1DRH
0018H		Reserved
0019H		Reserved
001AH		TC4CR
001BH		TC4DR
001CH		TC3DRA
001DH	TC3DRB	-
001EH		TC3CR
001FH		Reserved
0020H		TC5CR
0021H		TC6CR
0022H		TTREG5
0023H		TTREG6
0024H		PWREG5

Address	Read	Write
0025H		PWREG6
0026H		ADCCRA
0027H		ADCCRB
0028H	ADCRL	
0029H	ADCRH	
002AH		EIRC
002BH		ILC
002CH		EIRE
002DH		EIRD
002EH		ILE
002FH		ILD
0030H		GGCR
0031H		Reserved
0032H		Reserved
0033H		Reserved
0034H	-	WDTCR1
0035H	-	WDTCR2
0036H		TBTCR
0037H		EINTCR
0038H		SYSCR1
0039H		SYSCR2
003AH		EIRL
003BH		EIRH
003CH		ILL
003DH		ILH
003EH		PSWL
003FH		PSWH

Note 1: Do not access reserved areas by the program.

Note 2: - ; Cannot be accessed.

Note 3: Write-only registers and interrupt latches cannot use the read-modify-write instructions (Bit manipulation instructions such as SET, CLR, etc. and logical operation instructions such as AND, OR, etc.).

## 4.2 EBR

Address	Read	Write
1F70H	UARTSR2	UARTCR21
1F71H	-	UARTCR22
1F72H	RDBUF2	TDBUF2
1F73H		Reserved
1F74H		Reserved
1F75H		Reserved
1F76H		Reserved
1F77H		Reserved
1F78H		Reserved
1F79H		Reserved
1F7AH		Reserved
1F7BH		Reserved
1F7CH		CLKSCR2
1F7DH		CLKSMN
1F7EH		CLKSMX
1F7FH		CLKSCR1

Note 1: Do not access reserved areas by the program.

Note 2: - ; Cannot be accessed.

Note 3: Write-only registers and interrupt latches cannot use the read-modify-write instructions (Bit manipulation instructions such as SET, CLR, etc. and logical operation instructions such as AND, OR, etc.).

Not Recommended for New Design

## 4.3 DBR

Address	PMD ch	Read	Write
1F80H			P0ODE
1F81H			-
1F82H			-
1F83H			P3ODE
1F84H			P4ODE
1F85H			P5ODE
1F86H			P8ODE
1F87H			P9ODE
1F88H			-
1F89H			P3CR
1F8AH			P4CR
1F8BH			P5CR
1F8CH			P6CR
1F8DH			P7CR
1F8EH			P8CR
1F8FH			P9CR
1F90H			UARTSEL
1F91H		UARTSR	UARTCR1
1F92H		-	UARTCR2
1F93H		RDBUF	TDBUF
1F94H		-	ATAS
1F95H		-	ATKEY
1F96H		-	SIOCR1
1F97H		SIOSR	SIOCR2
1F98H			SIOBR0
1F99H			SIOBR1
1F9AH			SIOBR2
1F9BH			SIOBR3
1F9CH			SIOBR4
1F9DH			SIOBR5
1F9EH			SIOBR6
1F9FH			SIOBR7
1FA0H	for PMD ch.1		PDCRA
1FA1H	for PMD ch.1		PDCRB
1FA2H	for PMD ch.1	PDCRC	-
1FA3H	for PMD ch.1		SDREG
1FA4H	for PMD ch.1		MTCRA
1FA5H	for PMD ch.1		MTCRB
1FA6H	for PMD ch.1	MCAPL	-
1FA7H	for PMD ch.1	MCAPH	-
1FA8H	for PMD ch.1		CMP1L
1FA9H	for PMD ch.1		CMP1H
1FAAH	for PMD ch.1		CMP2L
1FABH	for PMD ch.1		CMP2H
1FACH	for PMD ch.1		CMP3L
1FADH	for PMD ch.1		CMP3H
1FAEH	for PMD ch.1		MDCRA
1FAFH	for PMD ch.1		MDCRB

Address	PMD ch	Read	Write
1FB0H	for PMD ch.1		EMGCRA
1FB1H	for PMD ch.1		EMGCRB
1FB2H	for PMD ch.1		MDOUTL
1FB3H	for PMD ch.1		MDOUTH
1FB4H	for PMD ch.1	MDCNTL	-
1FB5H	for PMD ch.1	MDCNTH	-
1FB6H	for PMD ch.1		M DPRDL
1FB7H	for PMD ch.1		M DPRDH
1FB8H	for PMD ch.1		CMPUL
1FB9H	for PMD ch.1		CMPUH
1FBAH	for PMD ch.1		CMPVL
1FBBH	for PMD ch.1		CMPVH
1FBCH	for PMD ch.1		CMPWL
1FBDH	for PMD ch.1		CMPWH
1FBEH	for PMD ch.1		DTR
1FBFH	for PMD ch.1		EMGREL
1FC0H	for PMD ch.1		EDCRA
1FC1H	for PMD ch.1		EDCRB
1FC2H	for PMD ch.1		EDSETL
1FC3H	for PMD ch.1		EDSETH
1FC4H	for PMD ch.1		ELDEGL
1FC5H	for PMD ch.1		ELDEGH
1FC6H	for PMD ch.1		AMPL
1FC7H	for PMD ch.1		AMPH
1FC8H	for PMD ch.1	EDCAPL	-
1FC9H	for PMD ch.1	EDCAPH	-
1FCAH	for PMD ch.1	-	WFMDR
1FCBH			-
1FCCH			Reserved
1FCDH			Reserved
1FCEH			Reserved
1FCFH			Reserved
1FD0H	for PMD ch.2		PDCRA
1FD1H	for PMD ch.2		PDCRB
1FD2H	for PMD ch.2	PDCRC	-
1FD3H	for PMD ch.2		SDREG
1FD4H	for PMD ch.2		MTCRA
1FD5H	for PMD ch.2		MTCRB
1FD6H	for PMD ch.2	MCAPL	-
1FD7H	for PMD ch.2	MCAPH	-
1FD8H	for PMD ch.2		CMP1L
1FD9H	for PMD ch.2		CMP1H
1FDAH	for PMD ch.2		CMP2L
1FDBH	for PMD ch.2		CMP2H
1FDCH	for PMD ch.2		CMP3L
1FDDH	for PMD ch.2		CMP3H
1FDEH	for PMD ch.2		MDCRA
1DFDH	for PMD ch.2		MDCRB
1FE0H	for PMD ch.2		EMGCRA

Address	PMD ch	Read	Write
1FE1H	for PMD ch.2		EMGCRB
1FE2H	for PMD ch.2		MDOUTL
1FE3H	for PMD ch.2		MDOUTH
1FE4H	for PMD ch.2	MDCNTL	-
1FE5H	for PMD ch.2	MDCNTH	-
1FE6H	for PMD ch.2		M DPRDL
1FE7H	for PMD ch.2		M DPRDH
1FE8H	for PMD ch.2		CMPUL
1FE9H	for PMD ch.2		CMPUH
1FEAH	for PMD ch.2		CMPVL
1FEBH	for PMD ch.2		CMPVH
1FECH	for PMD ch.2		CMPWL
1FEDH	for PMD ch.2		CMPWH
1FEEH	for PMD ch.2		DTR
1FEFH	for PMD ch.2	-	EMGREL
1FF0H	for PMD ch.2		EDCRA
1FF1H	for PMD ch.2		EDCRB
1FF2H	for PMD ch.2		EDSETL
1FF3H	for PMD ch.2		EDSETH
1FF4H	for PMD ch.2		ELDEGL
1FF5H	for PMD ch.2		ELDEGH
1FF6H	for PMD ch.2		AMPL
1FF7H	for PMD ch.2		AMPH
1FF8H	for PMD ch.2	EDCAPL	-
1FF9H	for PMD ch.2	EDCAPH	-
1FFAH	for PMD ch.2	-	WFMDR
1FFBH			-
1FFCH			Reserved
1FFDH			Reserved
1FFEH			SPCR
1FFFH			FLSCR

Note 1: Do not access reserved areas by the program.

Note 2: - ; Cannot be accessed.

Note 3: Write-only registers and interrupt latches cannot use the read-modify-write instructions (Bit manipulation instructions such as SET, CLR, etc. and logical operation instructions such as AND, OR, etc.).



## 5. Input/Output Ports

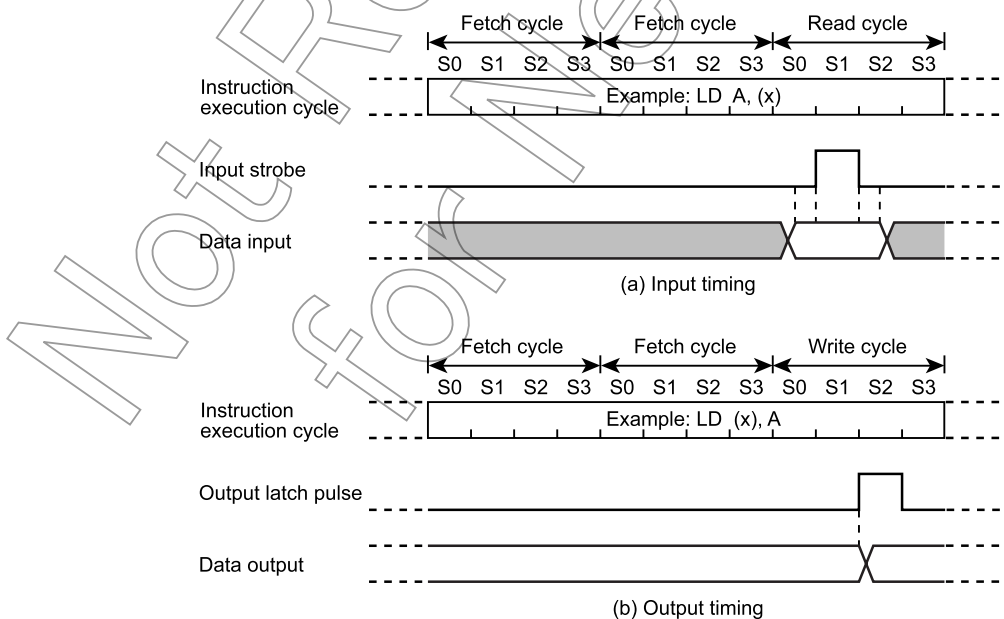
The TMP88FW45AFG contains 10 input/output ports comprised of 71 pins.

	Primary Function	Secondary Functions
Port P0	4-bit I/O port	Timer/counter input, serial interface input/output, and high-speed PWM output
Port P1	8-bit I/O port	External interrupt input, timer/counter input/output, divider output, and motor control circuit input
Port P2	3-bit I/O port	External interrupt input, timer/counter input/output, and STOP mode release signal input
Port P3	8-bit I/O port	Motor control input/output
Port P4	8-bit I/O port	Timer/counter output, serial interface input/output, motor control circuit input and serial PROM mode control input
Port P5	8-bit I/O port	Motor control circuit input/output
Port P6	8-bit I/O port	Analog input and motor control circuit output
Port P7	8-bit I/O port	Analog input and motor control circuit output
Port P8	8-bit I/O port	Serial interface input/output
Port P9	8-bit I/O port	

All output ports contain a latch, and the output data therefore are retained by the latch. But none of the input ports have a latch, so it is desirable that the input data be retained externally until it is read out, or read several times before being processed. Figure 5-1 shows input/output timing.

The timing at which external data is read in from input/output ports is S1 state in the read cycle of instruction execution. Because this timing cannot be recognized from the outside, transient input data such as chattering needs to be dealt with in a program. The timing at which data is forwarded to input/output ports is S2 state in the write cycle of instruction execution.

If high frequency oscillation stops or becomes abnormal in NORMAL/IDLE mode, the TMP88FW45AFG generates the oscillation frequency detection reset and all I/O pins become high impedance.



Note: The read/write cycle positions vary depending on instructions.

Figure 5-1 Example of Input/Output Timing

When an operation is performed for read from any input/output port except programmable input/output ports, whether the input value of the pin or the content of the output latch is read depends on the instruction executed, as shown below.

1. Instructions which read the content of the output latch

- XCH r, (src)
- SET/CLR/CPL (src).b
- SET/CLR/CPL (pp).g
- LD (src).b, CF
- LD (pp).b, CF
- XCH CF, (src). b
- ADD/ADDC/SUB/SUBB/AND/OR/XOR (src), n
- ADD/ADDC/SUB/SUBB/AND/OR/XOR (src), (HL) instructions, the (src) side thereof
- MXOR (src), m

2. Instructions which read the input value of the pin

Any instructions other than those listed above and ADD/ADDC/SUB/SUBB/AND/OR/XOR (src),(HL) instructions, the (HL) side thereof

Not Recommended  
for New Design

### 5.1 Port P0 (P03 to P00)

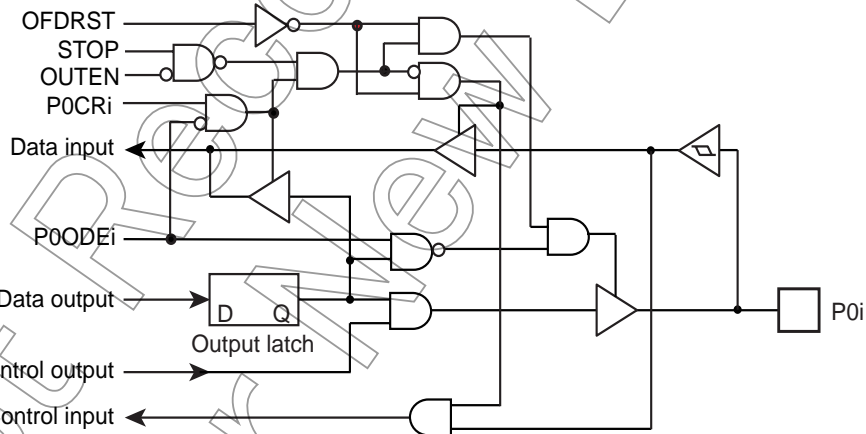
Port P0 is a 4-bit input/output port shared with serial interface input/output. This port is switched between input and output modes using the P0 port input/output control register (P0CR). When reset, the P0CR register is initialized to 0, with the P0 port set for input mode. Also, the output latch (P0DR) is initialized to 0 when reset.

The P0 port contains bit wise programmable open-drain control. The P0 port open-drain control register (P0ODE) is used to select open-drain or tri-state mode for the port. When reset, the P0ODE register is initialized to 0, with tri-state mode selected for the port.

If high frequency oscillation stops or becomes abnormal in NORMAL/IDLE mode, the TMP88FW45AFG generates the oscillation frequency detection reset and Port P0 becomes high impedance.

Table 5-1

P0ODE	P0CR	P0DR	Data input (by reading instruction)	Control input	Output data
0	0	0	Input Data from port	Input Data from port	Hi-Z
0	0	1	Input Data from port	Input Data from port	Hi-Z
0	1	0	"0" (output latch data)	"0" (output latch data)	"0"
0	1	1	"1" (output latch data)	"1" (output latch data)	"1"
1	0	0	Input Data from port (Low)	Input Data from port (Low)	"0"
1	0	1	Input Data from port	Input Data from port	Hi-Z
1	1	0	Input Data from port (Low)	Input Data from port (Low)	"0"
1	1	1	Input Data from port	Input Data from port	Hi-Z

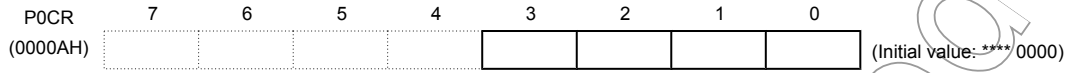
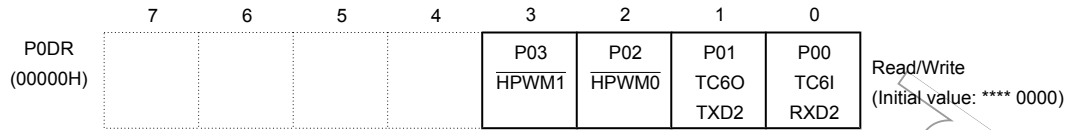


Note 1: i = 3 to 0

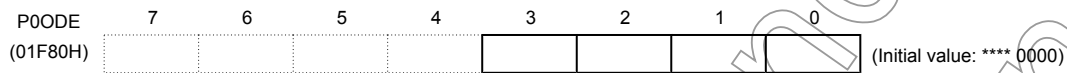
Note 2: OFDRST shows a reset signal of oscillation frequency detection.

Figure 5-2 Port P0

P0 Port Input/Output Registers



P0CR	P0 port input/output control (Specify bit wise)	0: Input mode 1: Output mode	R/W
------	----------------------------------------------------	---------------------------------	-----



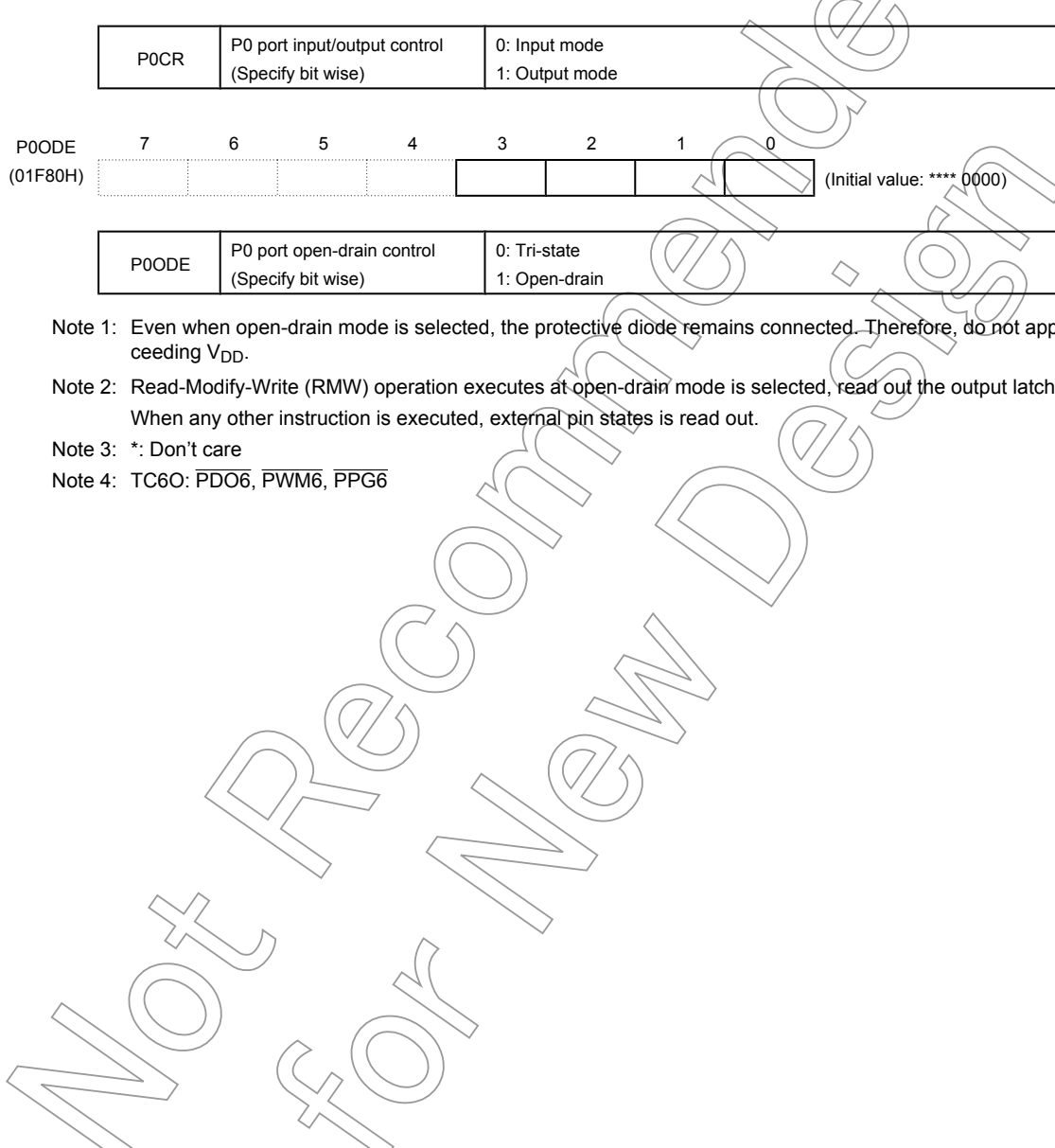
P0ODE	P0 port open-drain control (Specify bit wise)	0: Tri-state 1: Open-drain	R/W
-------	--------------------------------------------------	-------------------------------	-----

Note 1: Even when open-drain mode is selected, the protective diode remains connected. Therefore, do not apply voltages exceeding  $V_{DD}$ .

Note 2: Read-Modify-Write (RMW) operation executes at open-drain mode is selected, read out the output latch states. When any other instruction is executed, external pin states is read out.

Note 3: \*: Don't care

Note 4: TC6O:  $\overline{PDO6}$ ,  $\overline{PWM6}$ ,  $\overline{PPG6}$



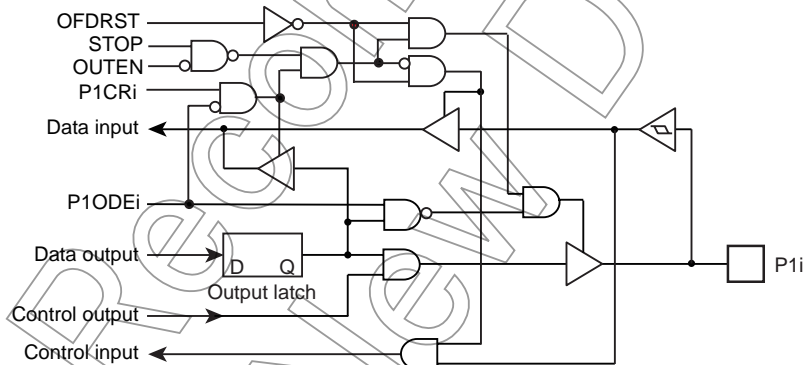
## 5.2 Port P1 (P17 to P10)

Port P1 is an 8-bit input/output port shared with external interrupt input, timer/counter input/output, and divider output. This port is switched between input and output modes using the P1 port input/output control register (P1CR). When reset, the P1CR register is initialized to 0, with the P1 port set for input mode. Also, the output latch (P1DR) is initialized to 0 when reset.

If high frequency oscillation stops or becomes abnormal in NORMAL/IDLE mode, the TMP88FW45AFG generates the oscillation frequency detection reset and Port P1 becomes high impedance.

Table 5-2

P1ODE	P1CR	P1DR	Data input (by reading instruction)	Control input	Output data
0	0	0	Input Data from port	Input Data from port	Hi-Z
0	0	1	Input Data from port	Input Data from port	Hi-Z
0	1	0	"0" (output latch data)	"0" (output latch data)	"0"
0	1	1	"1" (output latch data)	"1" (output latch data)	"1"
1	0	0	Input Data from port (Low)	Input Data from port (Low)	"0"
1	0	1	Input Data from port	Input Data from port	Hi-Z
1	1	0	Input Data from port (Low)	Input Data from port (Low)	"0"
1	1	1	Input Data from port	Input Data from port	Hi-Z



Note 1:  $i = 7$  to  $0$ .

Note 2: OFDRST shows a reset signal of oscillation frequency detection.

Figure 5-3 Port P1

### P1 Port Input/Output Registers

	7	6	5	4	3	2	1	0	
P1DR (00001H)	P17 PDW2	P16 PDV2	P15 PDU2	P14 PPG1 TC5O	P13 DVO TC5I	P12 INT2 TC1	P11 INT1	P10 INT0	Read/Write (Initial value: 0000 0000) TC5O: PDO5, PWM5
P1CR (0000BH)									(Initial value: 0000 0000)

P1CR	P1 port input/output control (Specify bit wise)	0: Input mode 1: Output mode	R/W
------	----------------------------------------------------	---------------------------------	-----

Note 1: TC5O: PDO5, PWM5

### 5.3 Port P2 (P22 to P20)

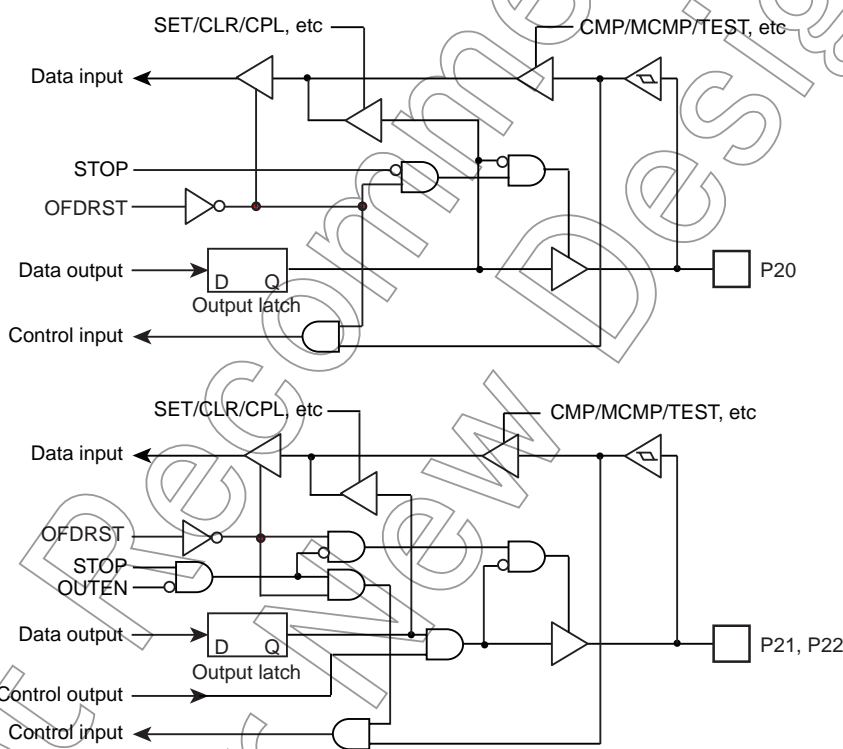
Port P2 is a 3-bit input/output port shared with external interrupt input and STOP mode release signal. When using this port as these functional pins or an input port, set the output latch to 1. When reset, the output latch is initialized to 1.

We recommend using the P20 pin as external interrupt input, STOP mode release signal input, or input port. When using this port as an output port, note that the interrupt latch is set by a falling edge of output pulse. And note that outputs on this port during STOP mode go to a high-impedance state even if SYSCR1<OUTEN> is set "1", because P20 port is also used as STOP port.

When a read instruction is executed on P2 port, indeterminate values are read in from bits 7 to 3.

When any read-modify-write instruction is executed on P2 port, the content of the output latch is read out. When any other instruction is executed, the external pin state is read out.

If high frequency oscillation stops or becomes abnormal in NORMAL/IDLE mode, the TMP88FW45AFG generates the oscillation frequency detection reset and Port P2 becomes high impedance.



Note 1: OFDRST shows a reset signal of oscillation frequency detection.

Figure 5-4 Port P2

#### P2 Port Input/Output Registers

	7	6	5	4	3	2	1	0	
P2DR (00002H)						P22 TC4 INT4 PWM4 PDO4	P21 TC3	P20 INT5 STOP	Read/Write (Initial value: **** *111)

Note 1: When a read instruction is executed on P2 port, indeterminate values are read in from bits 7 to 3.

Note 2: Port P20 is used as  $\overline{\text{STOP}}$  pin. Therefore, when stop mode is started, SYSCR1<OUTEN> does not affect to P20, and P20 becomes High-Z mode.

Note 3: \*: Don't care

Not Recommended  
for New Design

## 5.4 Port P3 (P37 to P30)

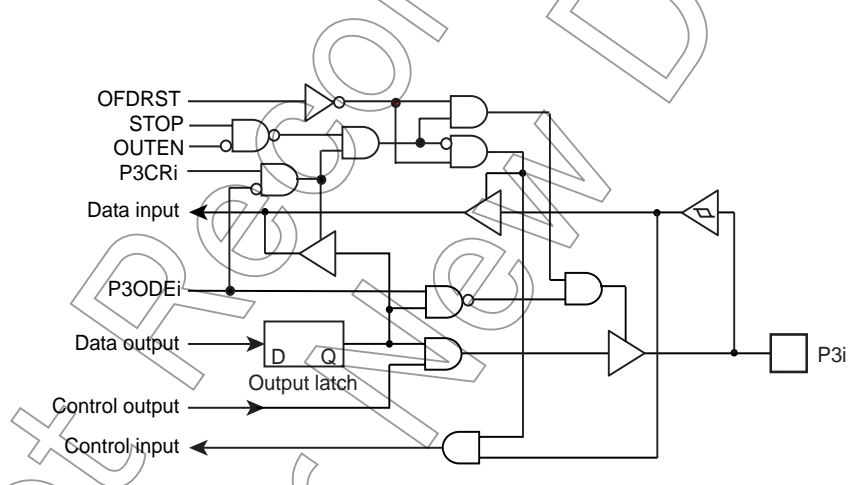
Port P3 is an 8-bit input/output port. This port is switched between input and output modes using the P3 port Input/output Control Register (P3CR). When reset, the P3CR Register is initialized to 0, with the P3 port set for input mode. Also, the Output Latch (P3DR) is initialized to 0 when reset.

The P3 port contains bit wise programmable open-drain control. The P3 Port Open-drain Control Register (P3ODE) is used to select open-drain or tri-state mode for the port. When reset, the P3ODE Register is initialized to 0, with tri-state mode selected for the port.

If high frequency oscillation stops or becomes abnormal in NORMAL/IDLE mode, the TMP88FW45AFG generates the oscillation frequency detection reset and Port P3 becomes high impedance.

Table 5-3

P3ODE	P3CR	P3DR	Data input (by reading instruction)	Control input	Output data
0	0	0	Input Data from port	Input Data from port	Hi-Z
0	0	1	Input Data from port	Input Data from port	Hi-Z
0	1	0	"0" (output latch data)	"0" (output latch data)	"0"
0	1	1	"1" (output latch data)	"1" (output latch data)	"1"
1	0	0	Input Data from port (Low)	Input Data from port (Low)	"0"
1	0	1	Input Data from port	Input Data from port	Hi-Z
1	1	0	Input Data from port (Low)	Input Data from port (Low)	"0"
1	1	1	Input Data from port	Input Data from port	Hi-Z



Note 1: i = 7 to 0

Note 2: OFDRST shows a reset signal of oscillation frequency detection.

Figure 5-5 Port P3



P3 Port Input/Output Registers

	7	6	5	4	3	2	1	0	
P3DR (00003H)	P37 CL1	P36 EMG1	P35 U1	P34 V1	P33 W1	P32 X1	P31 Y1	P30 Z1	Read/Write (Initial value: 0000 0000)

P3CR (01F89H)	7	6	5	4	3	2	1	0	(Initial value: 0000,0000)
------------------	---	---	---	---	---	---	---	---	----------------------------

P3CR	P3 port input/output control (Specify bit wise)	0: Input mode 1: Output mode	R/W
------	----------------------------------------------------	---------------------------------	-----

P3ODE (01F83H)	7	6	5	4	3	2	1	0	(Initial value: 0000 0000)
-------------------	---	---	---	---	---	---	---	---	----------------------------

P3ODE	P3 port open-drain control (Specify bit wise)	0: Tri-state 1: Open-drain	R/W
-------	--------------------------------------------------	-------------------------------	-----

Note 1: Even when open-drain mode is selected, the protective diode remains connected. Therefore, do not apply voltages exceeding  $V_{DD}$ .

Note 2: Read-Modify-Write (RMW) operation executes at open-drain mode is selected, read out the output latch states. When any other instruction is executed, external pin states is read out.

Note 3: For PMD circuit output, set the P3DR output latch to 1.

Note 4: When using P3 port as an input/output port, disable the EMG1 circuit.

Not Recommended for New Design

## 5.5 Port P4 (P47 to P40)

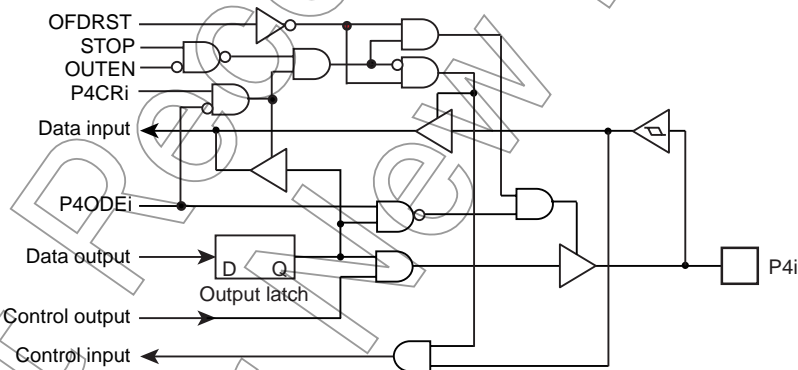
Port P4 is an 8-bit input/output port shared with serial interface input/output and serial PROM mode control input. This port is switched between input and output modes using the P4 port input/output control register (P4CR). When reset, the P4CR register is initialized to 0, with the P4 port set for input mode. Also, the output latch (P4DR) is initialized to 0 when reset.

The P4 port contains bit wise programmable open-drain control. The P4 port open-drain control register (P4ODE) is used to select open-drain or tri-state mode for the port. When reset, the P4ODE register is initialized to 0, with tri-state mode selected for the port.

If high frequency oscillation stops or becomes abnormal in NORMAL/IDLE mode, the TMP88FW45AFG generates the oscillation frequency detection reset and Port P4 becomes high impedance.

Table 5-4

P4ODE	P4CR	P4DR	Data input (by reading instruction)	Control input	Output data
0	0	0	Input Data from port	Input Data from port	Hi-Z
0	0	1	Input Data from port	Input Data from port	Hi-Z
0	1	0	"0" (output latch data)	"0" (output latch data)	"0"
0	1	1	"1" (output latch data)	"1" (output latch data)	"1"
1	0	0	Input Data from port (Low)	Input Data from port (Low)	"0"
1	0	1	Input Data from port	Input Data from port	Hi-Z
1	1	0	Input Data from port (Low)	Input Data from port (Low)	"0"
1	1	1	Input Data from port	Input Data from port	Hi-Z



Note 1:  $i = 7$  to  $0$

Note 2: OFDRST shows a reset signal of oscillation frequency detection.

Figure 5-6 Port P4

P4 Port Input/Output Registers

	7	6	5	4	3	2	1	0	
P4DR (00004H)	P47 CTC	P46 PPG2	P45 SO TXD1	P44 SI RXD1 BOOT	P43 SCK	P42 PDU1	P41 PDV1	P40 PDW1	(Initial value: 0000 0000)

P4CR (01F8AH)	7	6	5	4	3	2	1	0	(Initial value: 0000 0000)

P4CR	P4 port input/output control (Specify bit wise)	0: Input mode 1: Output mode	R/W
------	----------------------------------------------------	---------------------------------	-----

P4ODE (01F84H)	7	6	5	4	3	2	1	0	(Initial value: 0000 0000)

P4ODE	P4 port open-drain control (Specify bit wise)	0: Tri-state 1: Open-drain	R/W
-------	--------------------------------------------------	-------------------------------	-----

Note 1: Even when open-drain mode is selected, the protective diode remains connected. Therefore, do not apply voltages exceeding  $V_{DD}$ .

Note 2: Read-Modify-Write (RMW) operation executes at open-drain mode is selected, read out the output latch states. When any other instruction is executed, external pin states is read out.

Note 3: When using the 16-bit timer (CTC) as an ordinary timer, set P47 (CTC) for output mode.

Not Recommended for New Design

## 5.6 Port P5 (P57 to P50)

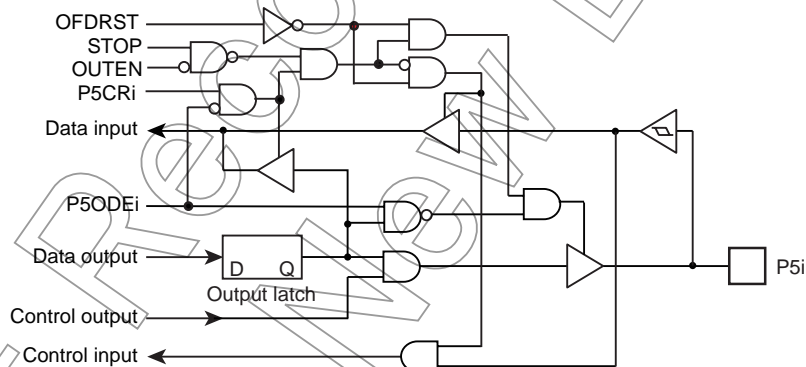
Port P5 is an 8-bit input/output port. This port is switched between input and output modes using the P5 port input/output control register (P5CR). When reset, the P5CR register is initialized to 0, with the P5 port set for input mode. Also, the output latch (P5DR) is initialized to 0 when reset.

The P5 port contains bit wise programmable open-drain control. The P5 port open-drain control register (P5ODE) is used to select open-drain or tri-state mode for the port. When reset, the P5ODE register is initialized to 0, with tri-state mode selected for the port.

If high frequency oscillation stops or becomes abnormal in NORMAL/IDLE mode, the TMP88FW45AFG generates the oscillation frequency detection reset and Port P5 becomes high impedance.

Table 5-5

P5ODE	P5CR	P5DR	Data input (by reading instruction)	Control input	Output data
0	0	0	Input Data from port	Input Data from port	Hi-Z
0	0	1	Input Data from port	Input Data from port	Hi-Z
0	1	0	"0" (output latch data)	"0" (output latch data)	"0"
0	1	1	"1" (output latch data)	"1" (output latch data)	"1"
1	0	0	Input Data from port (Low)	Input Data from port (Low)	"0"
1	0	1	Input Data from port	Input Data from port	Hi-Z
1	1	0	Input Data from port (Low)	Input Data from port (Low)	"0"
1	1	1	Input Data from port	Input Data from port	Hi-Z



Note 1:  $i = 7$  to  $0$

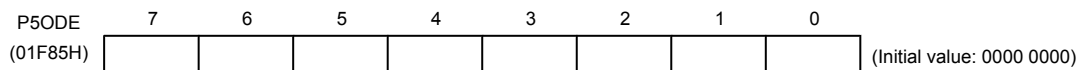
Note 2: OFDRST shows a reset signal of oscillation frequency detection.

Figure 5-7 Port P5

### P5 Port Input/Output Registers

P5DR (00005H)	7	6	5	4	3	2	1	0	Read/Write (Initial value: 0000 0000)
	P57 Z2	P56 Y2	P55 X2	P54 W2	P53 V2	P52 U2	P51 EMG2	P50 CL2	
P5CR (01F8BH)	7	6	5	4	3	2	1	0	(Initial value: 0000 0000)

P5CR	P5 port input/output control (Specify bit wise)	0: Input mode 1: Output mode	R/W
------	----------------------------------------------------	---------------------------------	-----



P5ODE	P5 port open-drain control (Specify bit wise)	0: Tri-state 1: Open-drain	R/W
-------	--------------------------------------------------	-------------------------------	-----

Note 1: Even when open-drain mode is selected, the protective diode remains connected. Therefore, do not apply voltages exceeding  $V_{DD}$ .

Note 2: Read-Modify-Write (RMW) operation executes at open-drain mode is selected, read out the output latch states. When any other instruction is executed, external pin states is read out.

Note 3: For PMD circuit output, set the P5DR output latch to 1.

Note 4: When using P5 port as an input/output port, disable the EMG2 circuit.

Not Recommended for New Design

## 5.7 Port P6 (P67 to P60)

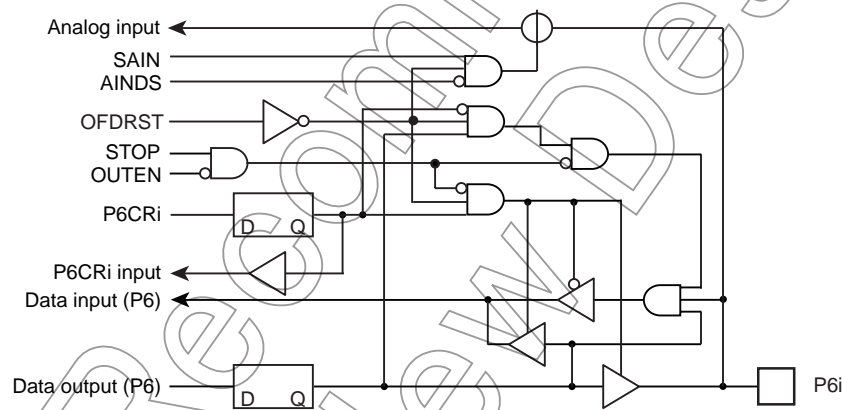
Port P6 is an 8-bit input/output port shared with AD converter analog input. This port is switched between input and output modes using the P6 port input/output control register (P6CR), P6 port output latch (P6DR), and ADC-CRA<AINDS>. When reset, the P6CR Register and the P6DR output latch are initialized to 0 while ADC-CRA<AINDS> is set to 1, so that P67 to P60 have their inputs fixed low (= 0). When using the P6 port as an input port, set the corresponding bits for input mode (P6CR = 0, P6DR = 1). The reason why the output latch = 1 is because it is necessary to prevent current from flowing into the shared data input circuit. When using the port as an output port, set the P6CR Register's corresponding bits to 1. When using the port for analog input, set the corresponding bits for analog input (P6CR = 0, P6DR = 0). Then set ADCCRA<AINDS> = 0, and AD conversion will start.

The ports used for analog input must have their output latches set to 0 beforehand. The actual input channels for AD conversion are selected using ADCCRA<SAIN>.

Although the bits of P6 port not used for analog input can be used as input/output ports, do not execute output instructions on these ports during AD conversion. This is necessary to maintain the accuracy of AD conversion. Also, do not apply rapidly changing signals to ports adjacent to analog input during AD conversion.

If an input instruction is executed while the P6DR output latch is cleared to 0, data "0" is read in from said bits.

If high frequency oscillation stops or becomes abnormal in NORMAL/IDLE mode, the TMP88FW45AFG generates the oscillation frequency detection reset and Port P6 becomes high impedance.



- Note 1:  $i = 7$  to  $0$
- Note 2: STOP exists in SYSCR1 register bit 7.
- Note 3: SAIN selects AD input channel.
- Note 4: OFDRST shows a reset signal of oscillation frequency detection.

Figure 5-8 Port P6

**P6 Port Input/Output Registers**

	7	6	5	4	3	2	1	0	
P6DR (00006H)	P67 AIN7 DBOUT1	P66 AIN6	P65 AIN5	P64 AIN4	P63 AIN3	P62 AIN2	P61 AIN1	P60 AIN0	Read/Write (Initial value: 0000 0000)

P6CR (01F8CH)	7	6	5	4	3	2	1	0	(Initial value: 0000 0000)

P6CR	P6 port input/output control (Specify bit wise)	AINDS = 1 (when not using AD)		AINDS = 0 (when using AD)		R/W
		P6DR = "0"	P6DR = "1"	P6DR = "0"	P6DR = "1"	
0	Inputs fixed to 0	Input mode	Analog Input mode (Note2)	Input mode		
1		Output mode				

- Note 1: The pins used for analog input cannot be set for output mode (P6CR = 1) because they become shorted with external signals.
- Note 2: When a read instruction is executed on bits of this port which are set for analog input mode, data "0" is read in.
- Note 3: For DBOUT1 output, set the P6DR (P67) output latch to 1.
- Note 4: When using this port in input mode (including analog input), do not use bit manipulating or other read-modify-write instructions. When a read instruction is executed on the bits of this port that are set for input, the contents of the pins are read in, so that if a read-modify-write instruction is executed, their output latches may be rewritten, making the pins unable to accept input. (A read-modify-write instruction first reads data from all of the eight bits and after modifying them (bit manipulation), writes data for all of the eight bits to the output latches.)

Not Recommended for New Design

## 5.8 Port P7 (P77 to P70)

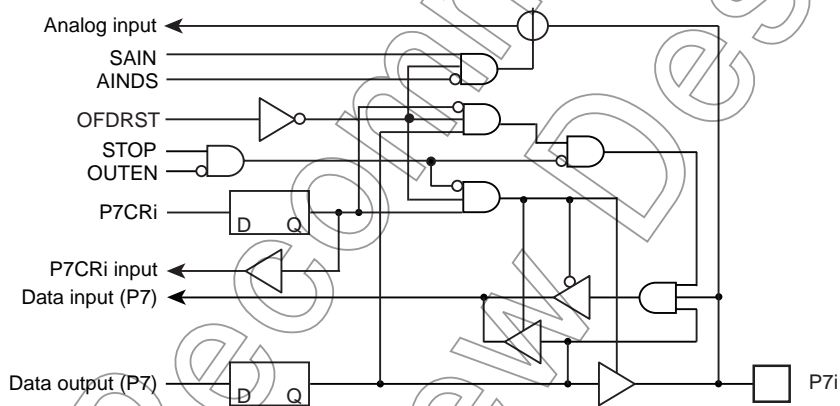
Port P7 is an 8-bit input/output port shared with AD converter analog input. This port is switched between input and output modes using the P7 port input/output control register (P7CR), P7 port output latch (P7DR), and ADC-CRA<AINDS>. When reset, the P7CR register and the P7DR output latch are initialized to 0 while ADC-CRA<AINDS> is set to 1, so that P77 to P70 have their inputs fixed low (= 0). When using the P7 port as an input port, set the corresponding bits for input mode (P7CR = 0, P7DR = 1). The reason why the output latch = 1 is because it is necessary to prevent current from flowing into the shared data input circuit. When using the port as an output port, set the P7CR Register's corresponding bits to 1. When using the port for analog input, set the corresponding bits for analog input (P7CR = 0, P7DR = 0). Then set ADCCRA<AINDS> = 0, and AD conversion will start.

The ports used for analog input must have their output latches set to 0 beforehand. The actual input channels for AD conversion are selected using ADCCRA<SAIN>.

Although the bits of P7 port not used for analog input can be used as input/output ports, do not execute output instructions on these ports during AD conversion. This is necessary to maintain the accuracy of AD conversion. Also, do not apply rapidly changing signals to ports adjacent to analog input during AD conversion.

If an input instruction is executed while the P7DR output latch is cleared to 0, data "0" is read in from said bits.

If high frequency oscillation stops or becomes abnormal in NORMAL IDLE mode, the TMP88FW45AFG generates the oscillation frequency detection reset and Port P7 becomes high impedance.



- Note 1:  $i = 7$  to  $0$
- Note 2: STOP exists in SYSCR1 register bit 7.
- Note 3: SAIN selects AD input channel.
- Note 4: OFDRST shows a reset signal of oscillation frequency detection.

Figure 5-9 Port P7



**P7 Port Input/Output Registers**

	7	6	5	4	3	2	1	0	
P7DR (00007H)	P77 AIN15 DBOUT2	P76 AIN14	P75 AIN13	P74 AIN12	P73 AIN11	P72 AIN10	P71 AIN9	P70 AIN8	Read/Write (Initial value: 0000 0000)
P7CR (01F8DH)									(Initial value: 0000 0000)

P7CR	P7 port input/output control (Specify bit wise)		AINDS = 1 (when not using AD)		AINDS = 0 (when using AD)		R/W
			P7DR = "0"	P7DR = "1"	P7DR = "0"	P7DR = "1"	
		0	Inputs fixed to 0	Input mode	Analog Input mode (Note2)	Input mode	
		1	Output mode				

- Note 1: The pins used for analog input cannot be set for output mode (P7CR = 1) because they become shorted with external signals.
- Note 2: When a read instruction is executed on bits of this port which are set for analog input mode, data "0" is read in.
- Note 3: For DBOUT2 output, set the P7DR (P77) output latch to 1.
- Note 4: When using this port in input mode (including analog input), do not use bit manipulating or other read-modify-write instructions. When a read instruction is executed on the bits of this port that are set for input, the contents of the pins are read in, so that if a read-modify-write instruction is executed, their output latches may be rewritten, making the pins unable to accept input. (A read-modify-write instruction first reads data from all of the eight bits and after modifying them (bit manipulation), writes data for all of the 8 bits to the output latches.)

Not Recommended for New Design

## 5.9 Port P8 (P87 to P80)

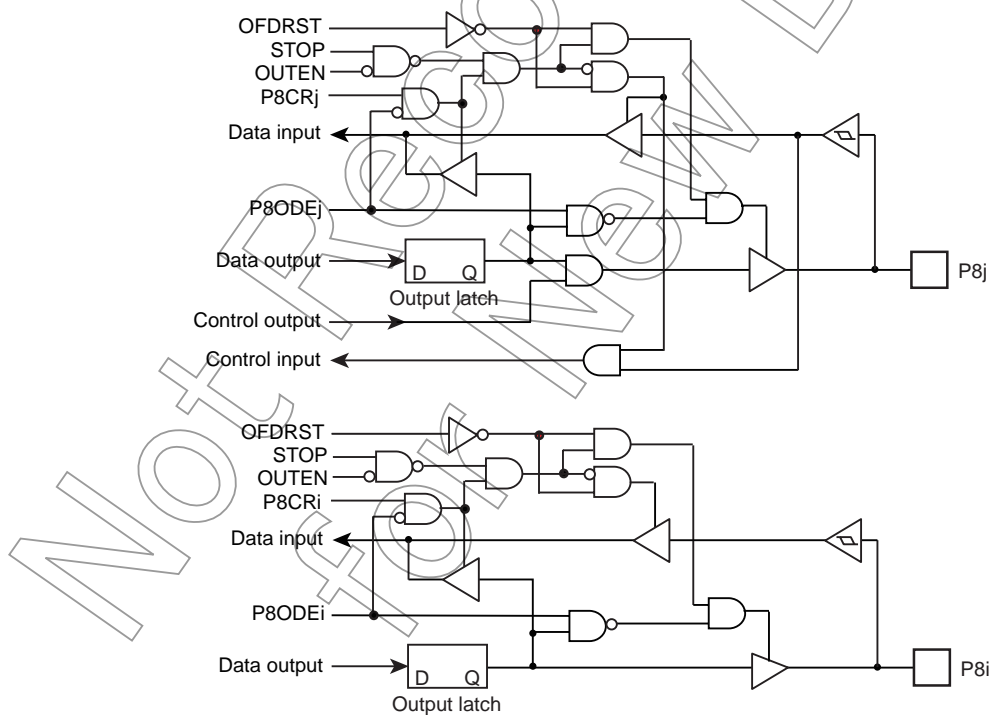
Port P8 is an 8-bit input/output port. This port is switched between input and output modes using the P8 port input/output control register (P8CR). When reset, the P8CR register is initialized to 0, with the P8 port set for input mode. Also, the output latch (P8DR) is initialized to 0 when reset.

The P8 port contains bit wise programmable open-drain control. The P8 port open-drain control register (P8ODE) is used to select open-drain or tri-state mode for the port. When reset, the P8ODE register is initialized to 0, with tri-state mode selected for the port.

If high frequency oscillation stops or becomes abnormal in NORMAL/IDLE mode, the TMP88FW45AFG generates the oscillation frequency detection reset and Port P8 becomes high impedance.

Table 5-6

P8ODE	P8CR	P8DR	Data input (by reading instruction)	Control input	Output data
0	0	0	Input Data from port	Input Data from port	Hi-Z
0	0	1	Input Data from port	Input Data from port	Hi-Z
0	1	0	"0" (output latch data)	"0" (output latch data)	"0"
0	1	1	"1" (output latch data)	"1" (output latch data)	"1"
1	0	0	Input Data from port (Low)	Input Data from port (Low)	"0"
1	0	1	Input Data from port	Input Data from port	Hi-Z
1	1	0	Input Data from port (Low)	Input Data from port (Low)	"0"
1	1	1	Input Data from port	Input Data from port	Hi-Z



Note 1:  $i = 7$  to  $2$

Note 2:  $j = 1, 0$

Note 3: OFDRST shows a reset signal of oscillation frequency detection.

Figure 5-10 Port P8

P8 Port Input/Output Registers

	7	6	5	4	3	2	1	0	
P8DR (00008H)	P87	P86	P85	P84	P83	P82	P81 TXD3	P80 RXD3	Read/Write (Initial value: 0000 0000)

	7	6	5	4	3	2	1	0	
P8CR (01F8EH)									(Initial value: 0000,0000)

P8CR	P8 port input/output control (Specify bit wise)	0: Input mode 1: Output mode	R/W
------	----------------------------------------------------	---------------------------------	-----

	7	6	5	4	3	2	1	0	
P8ODE (01F86H)									(Initial value: 0000 0000)

P8ODE	P8 port open-drain control (Specify bit wise)	0: Tri-state 1: Open-drain	R/W
-------	--------------------------------------------------	-------------------------------	-----

Note 1: Even when open-drain mode is selected, the protective diode remains connected. Therefore, do not apply voltages exceeding  $V_{DD}$ .

Note 2: Read-Modify-Write (RMW) operation executes at open-drain mode is selected, read out the output latch states. When any other instruction is executed, external pin states is read out.

Not Recommended for New Design

## 5.10 Port P9 (P97 to P90)

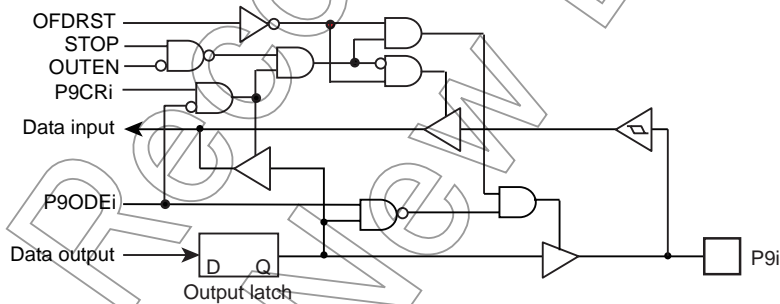
Port P9 is an 8-bit input/output port. This port is switched between input and output modes using the P9 port input/output control register (P9CR). When reset, the P9CR register is initialized to 0, with the P9 port set for input mode. Also, the output latch (P9DR) is initialized to 0 when reset.

The P9 port contains bit wise programmable open-drain control. The P9 port open-drain control register (P9ODE) is used to select open-drain or tri-state mode for the port. When reset, the P9ODE register is initialized to 0, with tri-state mode selected for the port.

If high frequency oscillation stops or becomes abnormal in NORMAL/IDLE mode, the TMP88FW45AFG generates the oscillation frequency detection reset and Port P9 becomes high impedance.

Table 5-7

P9ODE	P9CR	P9DR	Data input (by reading instruction)	Control input	Output data
0	0	0	Input Data from port	Input Data from port	Hi-Z
0	0	1	Input Data from port	Input Data from port	Hi-Z
0	1	0	"0" (output latch data)	"0" (output latch data)	"0"
0	1	1	"1" (output latch data)	"1" (output latch data)	"1"
1	0	0	Input Data from port (Low)	Input Data from port (Low)	"0"
1	0	1	Input Data from port	Input Data from port	Hi-Z
1	1	0	Input Data from port (Low)	Input Data from port (Low)	"0"
1	1	1	Input Data from port	Input Data from port	Hi-Z



Note 1:  $i = 7$  to  $0$ .

Note 2: OFDRST shows a reset signal of oscillation frequency detection.

Figure 5-11 Port P9

P9 Port Input/Output Registers

	7	6	5	4	3	2	1	0	
P9DR (00009H)	P97	P96	P95	P94	P93	P92	P91	P90	Read/Write (Initial value: 0000 0000)

	7	6	5	4	3	2	1	0	
P9CR (01F8FH)									(Initial value: 0000,0000)

P9CR	P9 port input/output control (Specify bit wise)	0: Input mode 1: Output mode	R/W
------	----------------------------------------------------	---------------------------------	-----

	7	6	5	4	3	2	1	0	
P9ODE (01F87H)									(Initial value: 0000 0000)

P9ODE	P9 port open-drain control (Specify bit wise)	0: Tri-state 1: Open-drain	R/W
-------	--------------------------------------------------	-------------------------------	-----

Note 1: Even when open-drain mode is selected, the protective diode remains connected. Therefore, do not apply voltages exceeding  $V_{DD}$ .

Note 2: Read-Modify-Write (RMW) operation executes at open-drain mode is selected, read out the output latch states. When any other instruction is executed, external pin states is read out.

Not Recommended for New Design

Not Recommended  
for New Design

## 6. Time Base Timer (TBT) and Divider Output ( $\overline{DVO}$ )

### 6.1 Time Base Timer

The time base timer generates time base for key scanning, dynamic displaying, etc. It also provides a time base timer interrupt (INTTBT).

An INTTBT ( Time Base Timer Interrupt ) is generated on the first falling edge of source clock ( The divider output of the timing generator which is selected by TBTCK. ) after time base timer has been enabled.

The divider is not cleared by the program; therefore, only the first interrupt may be generated ahead of the set interrupt period ( Figure 6-2 ).

The interrupt frequency (TBTCK) must be selected with the time base timer disabled (TBTEN="0"). (The interrupt frequency must not be changed with the disable from the enable state.) Both frequency selection and enabling can be performed simultaneously.

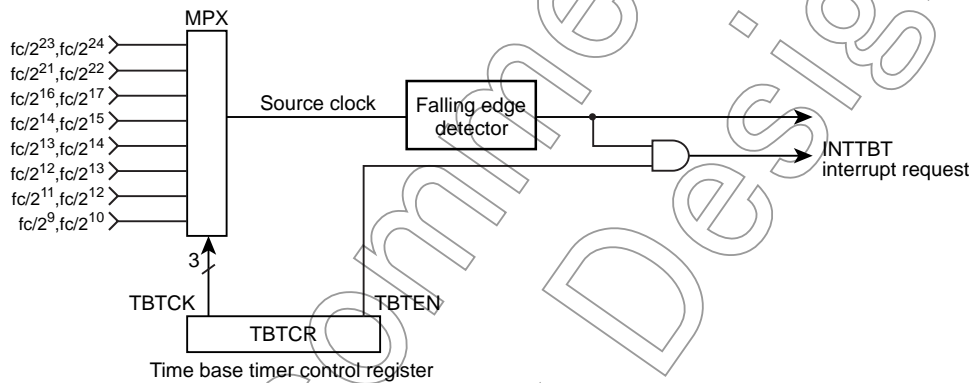


Figure 6-1 Time Base Timer configuration

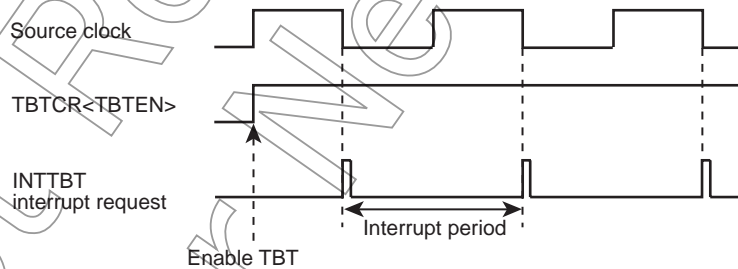


Figure 6-2 Time Base Timer Interrupt

Example :Set the time base timer frequency to  $fc/2^{16}$  [Hz] and enable an INTTBT interrupt.

```
LD      (TBTCR) , 00000010B      ; TBTCK ← 010 (Freq. set)
LD      (TBTCR) , 00001010B      ; TBTEN ← 1 (TBT enable)
DI
SET     (EIRL) . 6
EI
```

Time Base Timer is controlled by Time Base Timer control register (TBTCR).

### Time Base Timer Control Register

	7	6	5	4	3	2	1	0	
TBTCR (00036H)	(DVOEN)	(DVOCK)	0	TBTEN	TBTC			(Initial Value: 0000 0000)	

TBTEN	Time Base Timer Enable / Disable	0: Disable 1: Enable			
TBTC	Time Base Timer interrupt Frequency select : [Hz]			NORMAL, IDLE Mode	
				DV1CK=0	DV1CK=1
		000	$fc/2^{23}$	$fc/2^{24}$	R/W
		001	$fc/2^{21}$	$fc/2^{22}$	
		010	$fc/2^{16}$	$fc/2^{17}$	
		011	$fc/2^{14}$	$fc/2^{15}$	
		100	$fc/2^{13}$	$fc/2^{14}$	
		101	$fc/2^{12}$	$fc/2^{13}$	
		110	$fc/2^{11}$	$fc/2^{12}$	
		111	$fc/2^9$	$fc/2^{10}$	

Note 1: fc; High-frequency clock [Hz], \*, Don't care

Note 2: Always set "0" in bit4 on TBTCR register.

Table 6-1 Time Base Timer Interrupt Frequency ( Example : fc = 20.0 MHz )

TBTC	Time Base Timer Interrupt Frequency [Hz]	
	NORMAL, IDLE Mode	
	DV1CK = 0	DV1CK = 1
000	2.38	1.20
001	9.53	4.78
010	305.18	153.50
011	1220.70	610.35
100	2441.40	1220.70
101	4882.83	2441.40
110	9765.63	4882.83
111	39063.00	19531.25



## 6.2 Divider Output (DVO)

Approximately 50% duty pulse can be output using the divider output circuit, which is useful for piezoelectric buzzer drive. Divider output is from  $\overline{\text{DVO}}$  pin.

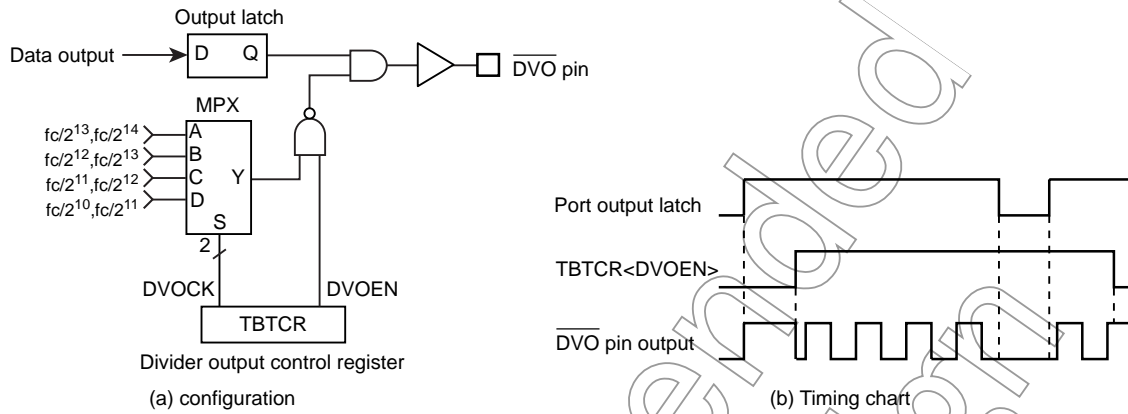


Figure 6-3 Divider Output

The Divider Output is controlled by the Time Base Timer Control Register (TBTCR).

### Time Base Timer Control Register

	7	6	5	4	3	2	1	0	
TBTCR (00036H)	DVOEN	DVOCK	"0"	(TBTEN)	(TBTCK)				(Initial value: 0000 0000)

DVOEN	Divider output enable / disable	0: Disable 1: Enable	NORMAL, IDLE Mode		R/W
DVOCK	Divider Output (DVO) frequency selection: [Hz]	00	DV1CK=0	DV1CK=1	R/W
		01	$fc/2^{13}$	$fc/2^{14}$	
		10	$fc/2^{12}$	$fc/2^{13}$	
		11	$fc/2^{11}$	$fc/2^{12}$	

Note 1: Selection of divider output frequency (DVOCK) must be made while divider output is disabled (DVOEN="0"). Also, in other words, when changing the state of the divider output frequency from enabled (DVOEN="1") to disabled(DVOEN="0"), do not change the setting of the divider output frequency.

Note 2: In case of using DVO output, set output mode by P1CR register after setting the related port output latch to "1" by P1DR register.

Note 3: fc; High-frequency clock [Hz]; \*, Don't care

Note 4: Be sure to write "0" to TBTCR Register bit 4.

Example : 2.44 kHz pulse output (fc = 20.0 MHz)

```

Port setting
LD      (TBTCR) , 00000000B      ; DVOCK ← "00"
LD      (TBTCR) , 10000000B      ; DVOEN ← "1"
    
```

Table 6-2 Divider Output Frequency ( Example :  $f_c = 20.0$  MHz )

DVOCK	Divider Output Frequency [Hz]	
	NORMAL, IDLE Mode	
	DV1CK=0	DV1CK=1
00	2.4415 k	1.22075 k
01	4.8825 k	2.4415 k
10	9.765 k	4.8825 k
11	19.5325 k	9.765 k

Not Recommended  
for New Design

## 7. Watchdog Timer (WDT)

The watchdog timer is a fail-safe system to detect rapidly the CPU malfunctions such as endless loops due to spurious noises or the deadlock conditions, and return the CPU to a system recovery routine.

The watchdog timer signal for detecting malfunctions can be programmed only once as “reset request” or “pseudo non-maskable interrupt request”. Upon the reset release, this signal is initialized to “reset request”.

When the watchdog timer is not used to detect malfunctions, it can be used as the timer to provide a periodic interrupt.

Note: Care must be taken in system design since the watchdog timer functions are not be operated completely due to effect of disturbing noise.

### 7.1 Watchdog Timer Configuration

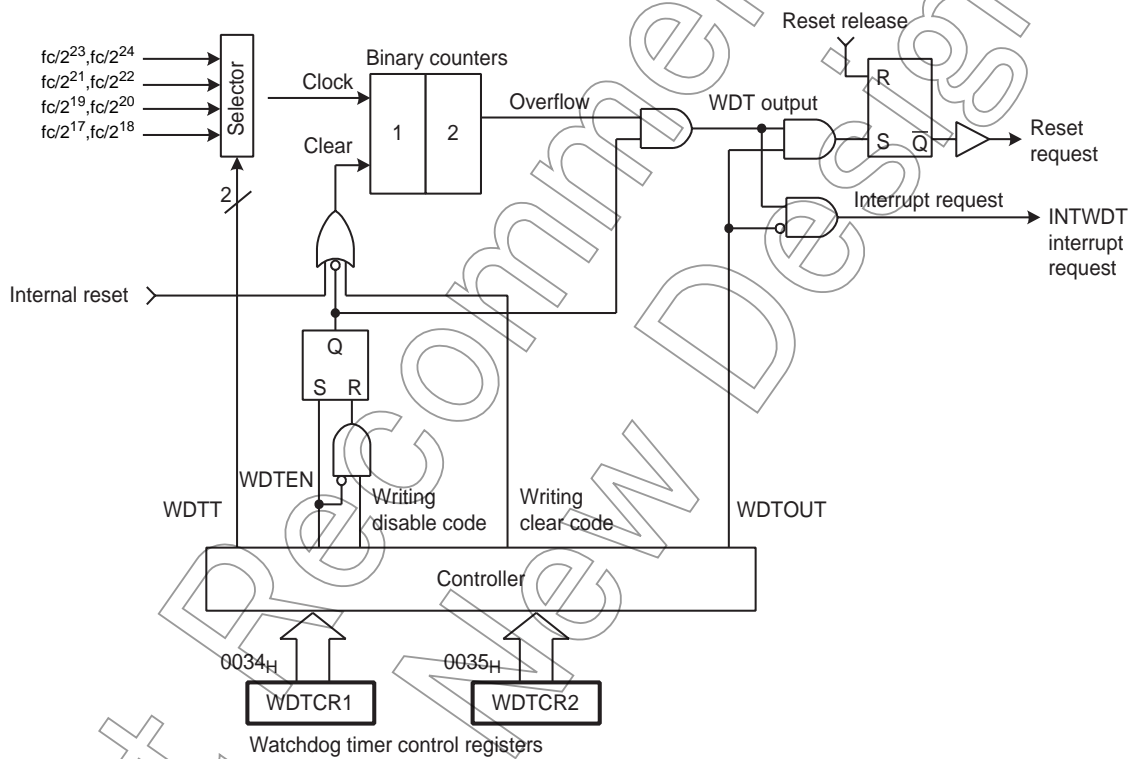


Figure 7-1 Watchdog Timer Configuration

## 7.2 Watchdog Timer Control

The watchdog timer is controlled by the watchdog timer control registers (WDTCR1 and WDTCR2). The watchdog timer is automatically enabled after the reset release.

### 7.2.1 Malfunction Detection Methods Using the Watchdog Timer

The CPU malfunction is detected, as shown below.

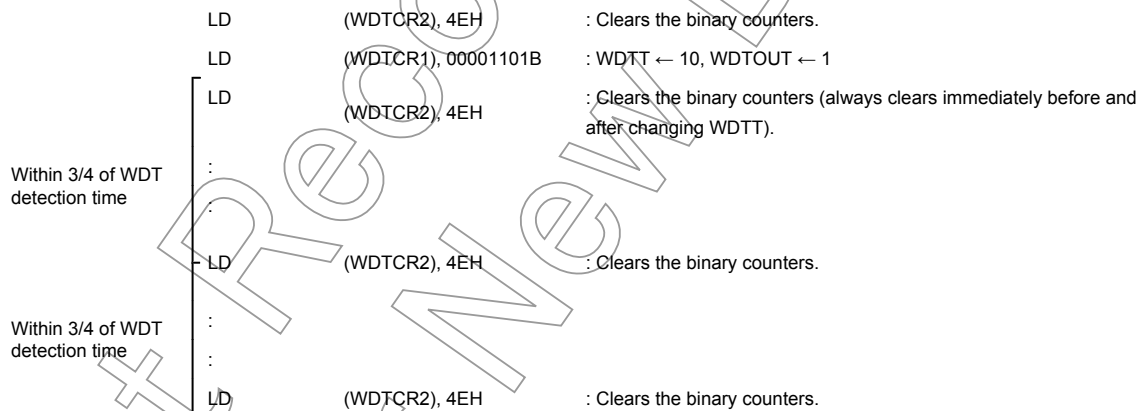
1. Set the detection time, select the output, and clear the binary counter.
2. Clear the binary counter repeatedly within the specified detection time.

If the CPU malfunctions such as endless loops or the deadlock conditions occur for some reason, the watchdog timer output is activated by the binary-counter overflow unless the binary counters are cleared. When WDTCR1<WDTOUT> is set to “1” at this time, the reset request is generated and then internal hardware is initialized. When WDTCR1<WDTOUT> is set to “0”, a watchdog timer interrupt (INTWDT) is generated.

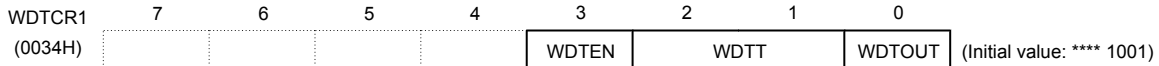
The watchdog timer temporarily stops counting in the STOP mode including the warm-up or IDLE mode, and automatically restarts (continues counting) when the STOP/IDLE mode is inactivated.

Note: The watchdog timer consists of an internal divider and a two-stage binary counter. When the clear code 4EH is written, only the binary counter is cleared, but not the internal divider. The minimum binary-counter overflow time, that depends on the timing at which the clear code (4EH) is written to the WDTCR2 register, may be 3/4 of the time set in WDTCR1<WDTT>. Therefore, write the clear code using a cycle shorter than 3/4 of the time set to WDTCR1<WDTT>.

Example :Setting the watchdog timer detection time to  $2^{21}/f_c$  [s], and resetting the CPU malfunction detection



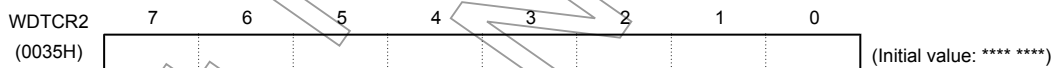
Watchdog Timer Control Register 1



WDTEN	Watchdog timer enable/disable	0: Disable (Writing the disable code to WDTCR2 is required.) 1: Enable			Write only	
WDTT	Watchdog timer detection time [s]	NORMAL mode			Write only	
			DV1CK = 0			DV1CK = 1
		00	$2^{25}/fc$	$2^{26}/fc$		
		01	$2^{23}/fc$	$2^{24}/fc$		
		10	$2^{21}/fc$	$2^{22}/fc$		
11	$2^{19}/fc$	$2^{20}/fc$				
WDTOUT	Watchdog timer output select	0: Interrupt request 1: Reset request			Write only	

- Note 1: After clearing WDTCR1<WDTOUT> to “0”, the program cannot set it to “1”.
- Note 2: fc: High-frequency clock [Hz], \*: Don't care
- Note 3: WDTCR1 is a write-only register and must not be used with any of read-modify-write instructions. If WDTCR1 is read, a unknown data is read.
- Note 4: To activate the STOP mode, disable the watchdog timer or clear the counter immediately before entering the STOP mode. After clearing the counter, clear the counter again immediately after the STOP mode is inactivated.
- Note 5: To clear WDTCR1<WDTEN>, set the register in accordance with the procedures shown in “7.2.3 Watchdog Timer Disable”.
- Note 6: If the watchdog timer is disabled during watchdog timer interrupt processing, the watchdog timer interrupt will never be cleared. Therefore, clear the watchdog timer ( set the clear code (4EH) to WDTCR2 ) before disabling it, or disable the watchdog timer a sufficient time before it overflows.
- Note 7: The watchdog timer consists of an internal divider and a two-stage binary counter. When clear code (4EH) is written, only the binary counter is cleared, not the internal divider.  
Depending on the timing at which clear code (4EH) is written on the WDTCR2 register, the overflow time of the binary counter may be at minimum 3/4 of the time set in WDTCR1<WDTT>. Thus, write the clear code using a shorter cycle than 3/4 of the time set in WDTCR1<WDTT>.

Watchdog Timer Control Register 2



WDTCR2	Write Watchdog timer control code	4EH: Clear the watchdog timer binary counter (Clear code) B1H: Disable the watchdog timer (Disable code) Others: Invalid	Write only
--------	--------------------------------------	--------------------------------------------------------------------------------------------------------------------------------	------------

- Note 1: The disable code is valid only when WDTCR1<WDTEN> = 0.
- Note 2: \*: Don't care
- Note 3: The binary counter of the watchdog timer must not be cleared by the interrupt task.
- Note 4: Write the clear code (4EH) using a cycle shorter than 3/4 of the time set in WDTCR1<WDTT>.
- Note 5: WDTCR2 is a write-only register and must not be used with any of read-modify-write instructions. If WDTCR2 is read, a unknown data is read.

7.2.2 Watchdog Timer Enable

Setting WDTCR1<WDTEN> to “1” enables the watchdog timer. Since WDTCR1<WDTEN> is initialized to “1” during reset, the watchdog timer is enabled automatically after the reset release.

### 7.2.3 Watchdog Timer Disable

To disable the watchdog timer, set the register in accordance with the following procedures. Setting the register in other procedures causes a malfunction of the microcontroller.

1. Set the interrupt master flag (IMF) to “0”.
2. Set WDTCR2 to the clear code (4EH).
3. Set WDTCR1<WDTEN> to “0”.
4. Set WDTCR2 to the disable code (B1H).

Note: While the watchdog timer is disabled, the binary counters of the watchdog timer are cleared.

Example :Disabling the watchdog timer

```

DI                : IMF ← 0
LD                (WDTCR2), 04EH    : Clears the binary counter
LDW               (WDTCR1), 0B101H  : WDTEN ← 0, WDTCR2 ← Disable code
EI                : IMF ← 1
    
```

Table 7-1 Watchdog Timer Detection Time (Example: fc = 20 MHz)

WDTT	Watchdog Timer Detection Time[s]	
	NORMAL Mode	
	DV1CK = 0	DV1CK = 1
00	1.678	3.355
01	419.430 m	838.861 m
10	104.858 m	209.715 m
11	26.214 m	52.429 m

Note: If the watchdog timer is disabled during watchdog timer interrupt processing, the watchdog timer interrupt will never be cleared. Therefore, clear the watchdog timer ( set the clear code (4EH) to WDTCR2 ) before disabling it, or disable the watchdog timer a sufficient time before it overflows.

### 7.2.4 Watchdog Timer Interrupt (INTWDT)

When WDTCR1<WDTOUT> is cleared to “0”, a watchdog timer interrupt request (INTWDT) is generated by the binary-counter overflow.

A watchdog timer interrupt is the non-maskable interrupt which can be accepted regardless of the interrupt master flag (IMF).

When a watchdog timer interrupt is generated while the other interrupt including a watchdog timer interrupt is already accepted, the new watchdog timer interrupt is processed immediately and the previous interrupt is held pending. Therefore, if watchdog timer interrupts are generated continuously without execution of the RETN instruction, too many levels of nesting may cause a malfunction of the microcontroller.

To generate a watchdog timer interrupt, set the stack pointer before setting WDTCR1<WDTOUT>.

Example :Setting watchdog timer interrupt

```

LD                SP, 010BFH        : Sets the stack pointer
LD                (WDTCR1), 00001000B : WDTOUT ← 0
    
```

### 7.2.5 Watchdog Timer Reset

When a binary-counter overflow occurs while WDTCR1<WDTOUT> is set to “1”, a watchdog timer reset request is generated. When a watchdog timer reset request is generated, the internal hardware is reset. The reset time is maximum  $24/fc$  [s] ( max.  $1.2 \mu s$  @  $fc = 20$  MHz).

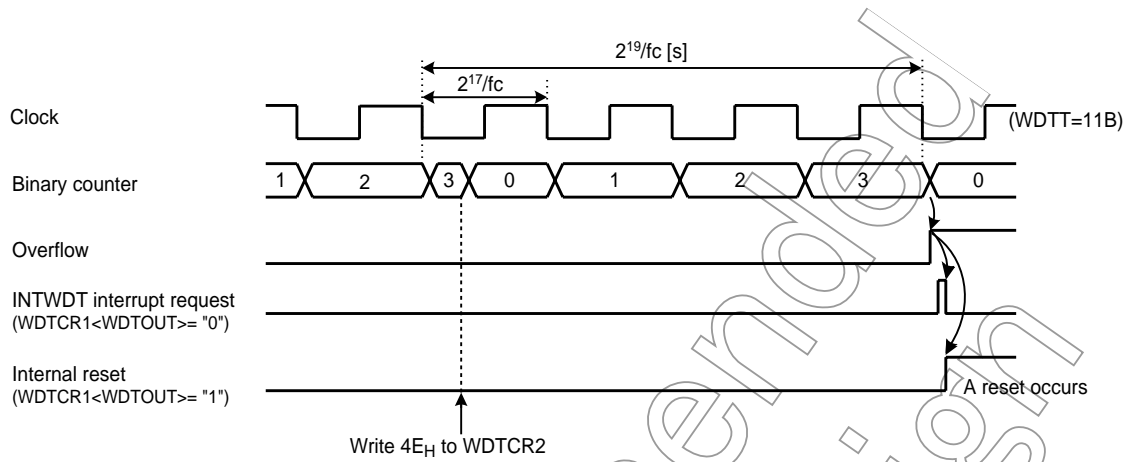


Figure 7-2 Watchdog timer Interrupt and Reset

Not Recommended for New Designs

Not Recommended  
for New Design



## 8. Oscillation Frequency Detector

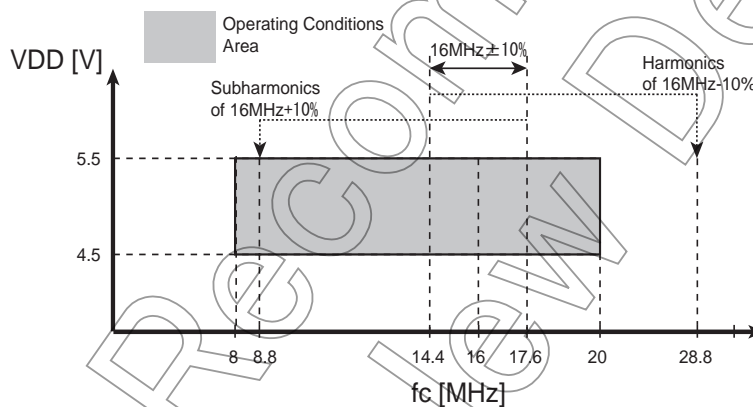
### 8.1 Configuration

The oscillation frequency detector generates a reset for I/O if the oscillation of high frequency is lower than a lower detection frequency, or higher than an upper detection frequency. Each frequency is specified by CLKSMN and CLKSMX register. An initial value of lower detection frequency is 8.8MHz which is a harmonics of +10% of 16MHz, and that of upper detection frequency is 20MHz which is a maximum frequency in operating condition. For details, refer to Figure 8-1. To change the detection frequency, CLKSMN and CLKSMX registers are used. CLKSMN and CLKSMX can be written when the oscillation frequency detection is disabled and writing to CLKSMN/CLKSMX is enabled by setting "F9H" to CLKSCR1. Since the oscillation frequency detection is disabled after an external reset input, write "F9H" to CLKSCR1 and write "E4H" to CLKSCR2 register to enable its function.

When the TMP88FW45AFG detects the out of frequency specified CLKSMN and CLKSMX register, all I/Os become high impedance by reset. By the oscillation frequency detection reset, all I/Os except power supply pins, RESET, XIN and XOUT become high impedance. If oscillation frequency detection reset is generated by detecting the stopping of high frequency, the internal circuitries such as registers hold the condition at the timing of oscillation stop. To initialize these internal circuitries, an at external re-starting of oscillation is needed.

Note 1: Though the harmonics of 16MHz is 32MHz, upper detection frequency is set to 20MHz to avoid an erratic operation caused by exceeding 20MHz.

Note 2: The oscillation frequency detection reset is available only in NORMAL and IDLE modes. In STOP modes, the oscillation frequency detection reset is disabled automatically.



If the calculated detection frequency is lower than 8MHz or higher than 20MHz, the detection frequency should be set within operating condition.

Figure 8-1 Detection frequency range

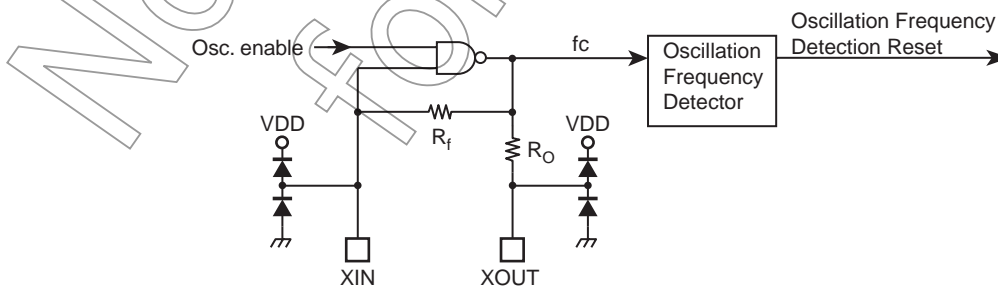
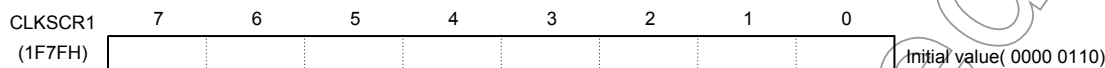


Figure 8-2 Oscillation Frequency Detector

## 8.2 Control

The oscillation frequency detection is controlled by oscillation frequency detection control register 2 (CLKSCR2). The detection frequency is specified by lower/higher detection frequency setting register (CLKSMN, CLKSMX). Writing to CLKSCR2/CLKSMN/CLKSMX is controlled by oscillation frequency control register 1 (CLKSCR1).

### Oscillation frequency detection control register 1

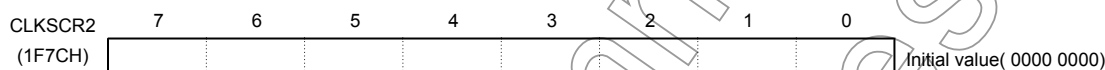


CLKSCR1	Writing control of CLKSCR2, CLKSMN and CLKSMX registers	06H: Disabling of writing to CLKSCR2/CLKSMN/CLKSMX F9H: Enabling of writing to CLKSCR2/CLKSMN/CLKSMX Others: Reserved (Note 1)	R/W
---------	---------------------------------------------------------	--------------------------------------------------------------------------------------------------------------------------------------	-----

Note 1: Only "06H" and "F9H" is valid to CLKSCR1. If other value than "06H" and "F9H" is written to CLKSCR1, "06H" is written to CLKSCR1 automatically.

Note 2: CLKSCR1 is not initialized by an internal factor reset including oscillation frequency detection reset. To initialize this registers, set the **RESET** pin (external factor reset) to the low level.

### Oscillation frequency detection control register 2



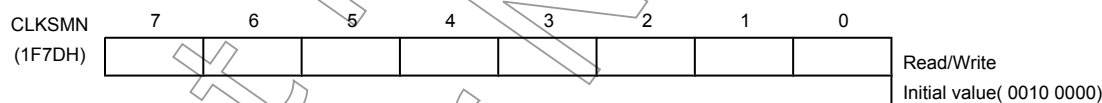
CLKSCR2	Control the oscillation frequency detection circuit behavior	00H: Disable E4H: Enable Others: Reserved (Note 1)	R/W
---------	--------------------------------------------------------------	----------------------------------------------------------	-----

Note 1: Only "00H" and "E4H" is valid to CLKSCR2. Writing other value than "00H" and "E4H" to CLKSCR2 with CLKSCR1="F9H" is ignored.

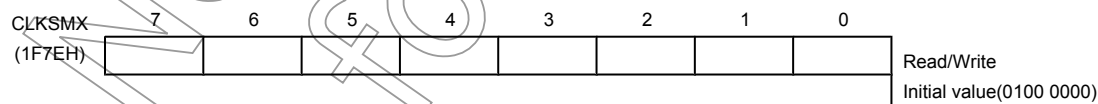
Note 2: Writing to CLKSCR2 is protected by setting "06H" to CLKSCR1 but reading from CLKSCR2 is always enabled without setting of CLKSCR1.

Note 3: CLKSCR2 is not initialized by an internal factor reset including oscillation frequency detection reset. To initialize this registers, set the **RESET** pin (external factor reset) to the low level.

### Lower detection frequency setting register



### Higher detection frequency setting register



Note 1: CLKSMN and CLKSMX can not be written when the oscillation frequency detection circuit is enabled (CLKSCR2="E4H") or writing is disabled with CLKSCR1="06H". An attempt to write CLKSMN and CLKSMX can not complete a write operation.

Note 2: Writing to CLKSMN/CLKSMX is protected by setting "06H" to CLKSCR1 but reading from CLKSMN/CLKSMX is always enabled without setting of CLKSCR1.

Note 3: Specify an appropriate value to CLKSMN and CLKSMX depending on the clock frequency to be used under the condition of CLKSMN<CLKSMX. For how to calculate the value, refer to "8.3.2 Setting the Lower and Higher Frequency for Detection".

Note 4: CLKSMN and CLKSMX are not initialized by an internal factor reset including oscillation frequency detection reset. To initialize these registers, set the **RESET** pin (external factor reset) to the low level.

### 8.3 Function

#### 8.3.1 Enabling and Disabling the Oscillation Frequency Detection

Writing "E4H" to CLKSCR2 with CLKSCR1="F9H" enables the oscillation frequency detection, and writing "00H" to CLKSCR2 with CLKSCR1="F9H" disables the oscillation frequency detection.

Setting "F9H" to CLKSCR1 enables writing to CLKSCR2 and setting "06H" to CLKSCR1 disables writing to CLKSCR2. Reading from CLKSCR2 is always enabled without setting of CLKSCR1. CLKSCR1 is initialized to "06H" by external reset and CLKSCR2 is initialized to "00H" by external reset. However, CLKSCR1 and CLKSCR2 are not initialized by internal reset which are system clock, address trap, watchdog timer reset and oscillation frequency detection reset.

Note: After writing data to CLKSCR2, set "06H" to CLKSCR1 to protect CLKSCR2 register.

When STOP mode is executed with CLKSCR2=E4H, the oscillation frequency detection is automatically disabled. After releasing STOP and warming up period, the oscillation frequency detection is enabled. In serial PROM mode for Flash, the oscillation frequency detection is disabled. The oscillation frequency detection is available only in NORMAL and IDLE mode. Table 8-1 shows the availability of oscillation frequency detector.

Table 8-1 Availability of oscillation frequency detector

Operating Mode	Oscillation Frequency Detection	All I/Os condition after Oscillation Frequency Detection RESET
NORMAL	Available	High impedance
IDLE	Available	High impedance
STOP (Including warming up period)	Oscillation Frequency Detection is disabled automatically.	
RESET by oscillation frequency detection reset	Available	High impedance
RESET by internal reset (Note 1)	Available	High impedance
RESET by external reset	Disable	-
Serial PROM	Disable	-

Note 1: Internal reset ; Watchdog timer reset, Address trap reset, System clock reset and Oscillation frequency detection reset.

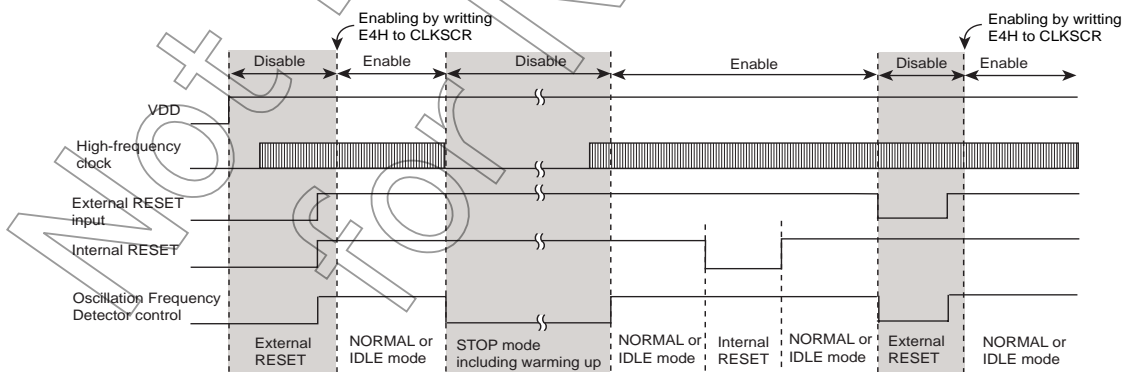


Figure 8-3 Availability of Oscillation Frequency Detection

### 8.3.2 Setting the Lower and Higher Frequency for Detection

The detection frequency is controlled by CLKSMN and CLKSMX registers. These registers can not be written while the oscillation frequency detection circuit is enabled or writing is disabled by setting "06H" to CLKSCR1. Therefore, to change the detection frequency, disable the oscillation frequency detection by setting "00H" to CLKSCR2 with CLKSCR1="F9H". The detection frequency is calculated by the formula shown below.

Note 1: After writing data to CLKSMN and CLKSMX, set "06H" to CLKSCR1 to protect CLKSMN and CLKSMX.

Note 2: Specify an appropriate value to CLKSMN and CLKSMX depending on the clock frequency to be used under the condition of CLKSMN<CLKSMX

$$\text{CLKSMN value} = \frac{\text{Lower Detection Frequency [MHz]}}{0.275} \quad (\text{rounding up the fraction})$$

$$\text{CLKSMX value} = \frac{\text{Upper Detection Frequency [MHz]}}{0.312} \quad (\text{rounding down the fraction})$$

Note 1: A denominator of formula will be determined after evaluation.

In the TMP88FW45AFG, the initial value of CLKSMN is 20H which is set to 8.8MHz and the initial value of CLKSMX is 40H which is set to 20MHz. The detection frequency should be set within the operation condition which is from 8MHz to 20MHz.

CLKSMN and CLKSMX are not initialized with an internal factor reset including the oscillation frequency detection reset, and the values are held. To initialize these registers, set the RESET pin (external factor reset) to the low level.

### 8.3.3 Oscillation Frequency Detection Reset

If the TMP88FW45AFG detects lower frequency specified by CLKSMN or higher frequency specified by CLKSMX, the oscillation frequency detector outputs a reset signal for all I/Os.

- a. When the high frequency oscillation becomes abnormal

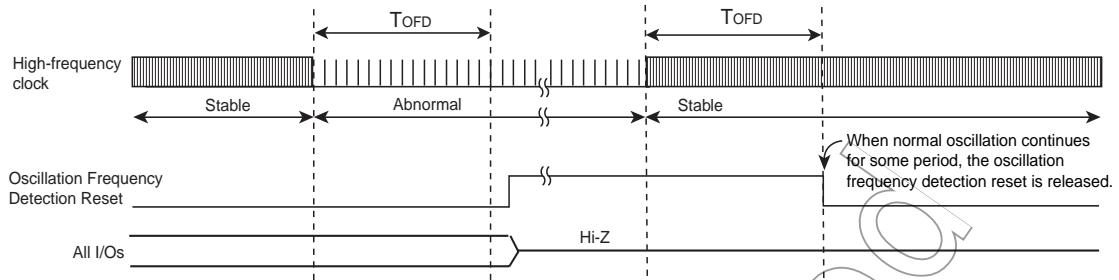
When an abnormal (lower or higher) frequency oscillation continues for some period ( $T_{\text{OFD}}$ ), the oscillation frequency detection reset is generated. By oscillation frequency detection reset initializes all I/Os except power supply pins, RESET, XIN and XOUT become high impedance.

- b. When the high frequency oscillation stops

When the high frequency oscillation stops for some period ( $T_{\text{OFD}}$ ), the oscillation frequency detection reset is generated. By oscillation frequency detection reset initializes all I/Os except power supply pins, RESET, XIN and XOUT become high impedance. However, since the internal circuitries such as CPU are initialized by a reset signal latched by high frequency, the internal circuitries hold the state at the oscillation frequency detection.

When the oscillation resumes its normal frequency and continues for some period ( $T_{\text{OFD}}$ ), the oscillation frequency detection reset is released.

· When the high-frequency clock becomes abnormal



· When the high-frequency clock stops

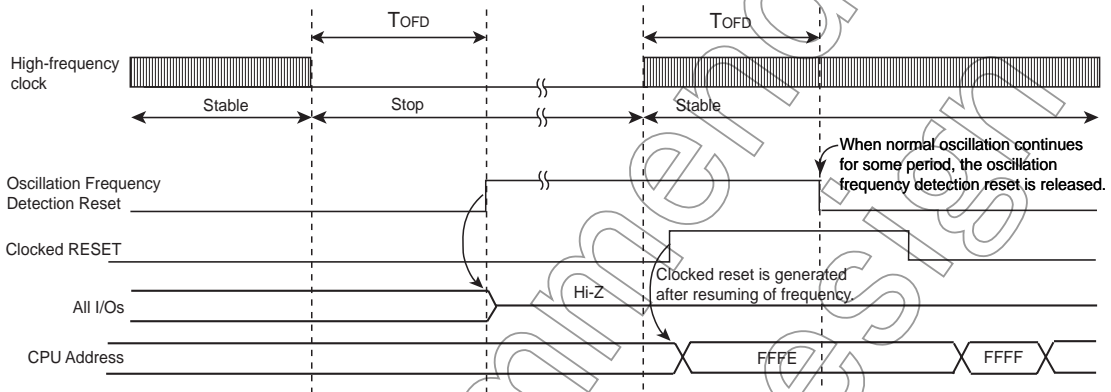


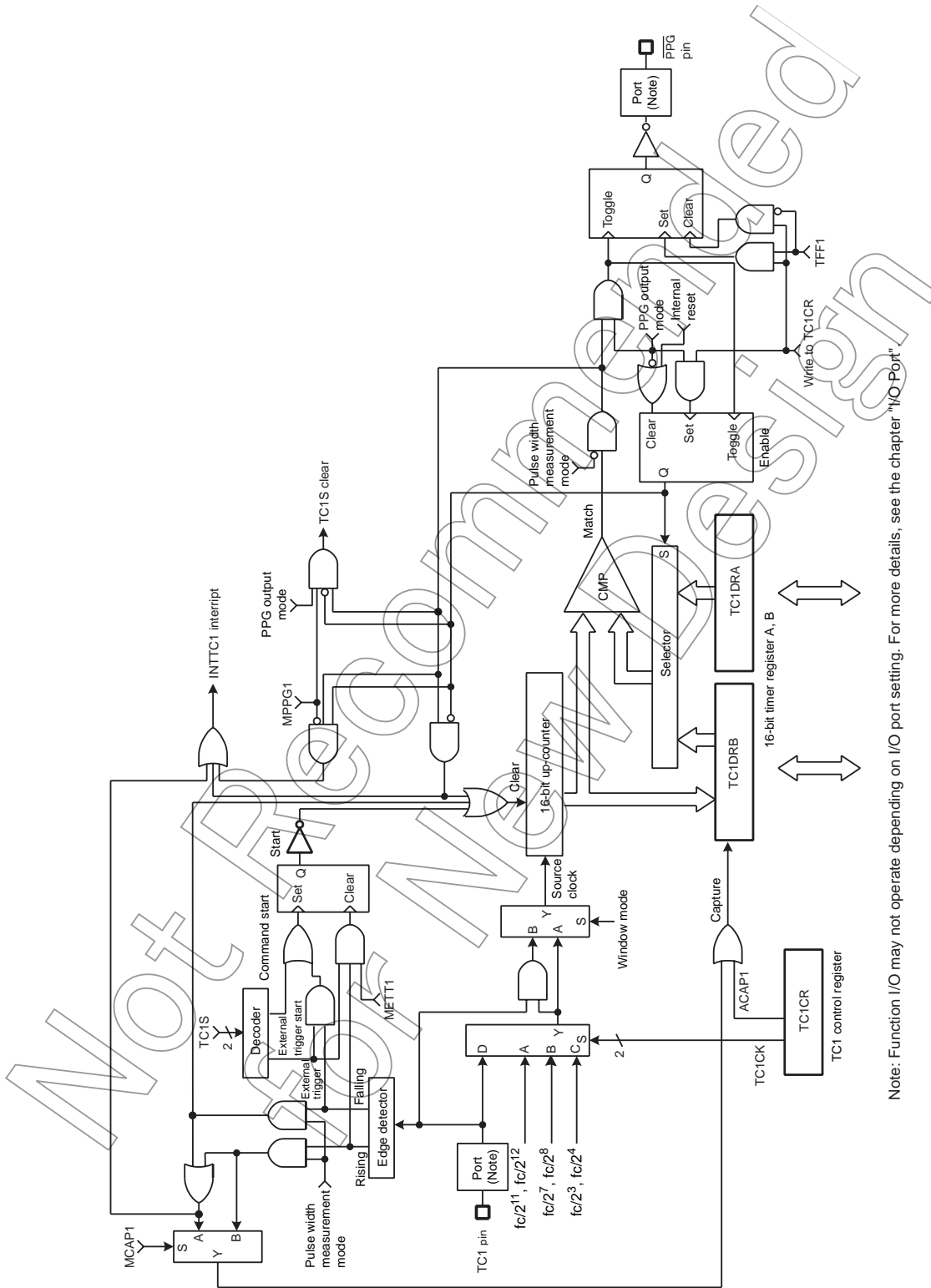
Figure 8-4 Oscillation Frequency Detection Reset Timing

Not Recommended for New Design

Not Recommended  
for New Design

# 9. 16-Bit TimerCounter 1 (TC1)

## 9.1 Configuration



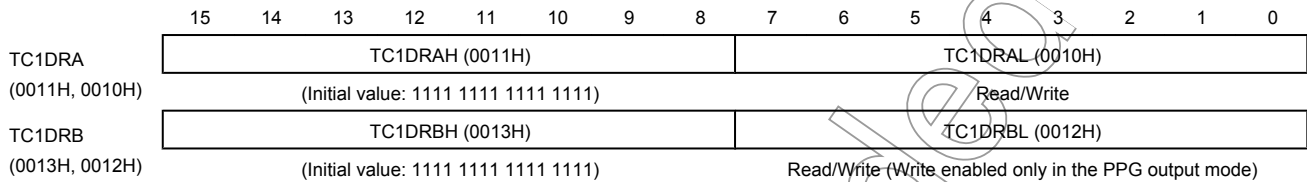
Note: Function I/O may not operate depending on I/O port setting. For more details, see the chapter "I/O Port".

Figure 9-1 TimerCounter 1 (TC1)

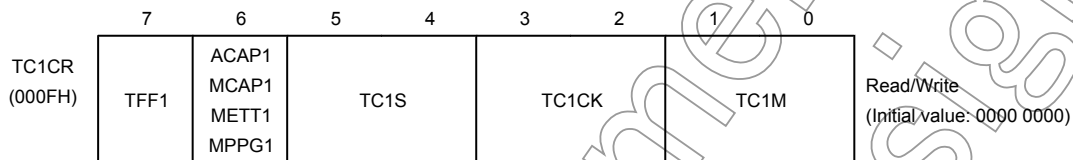
## 9.2 TimerCounter Control

The TimerCounter 1 is controlled by the TimerCounter 1 control register (TC1CR) and two 16-bit timer registers (TC1DRA and TC1DRB).

### Timer Register



### TimerCounter 1 Control Register



TFF1	Timer F/F1 control	0: Clear	1: Set							R/W		
ACAP1	Auto capture control	0: Auto-capture disable	1: Auto-capture enable							R/W		
MCAP1	Pulse width measurement mode control	0: Double edge capture	1: Single edge capture							R/W		
METT1	External trigger timer mode control	0: Trigger start	1: Trigger start and stop							R/W		
MPPG1	PPG output control	0: Continuous pulse generation	1: One-shot							R/W		
TC1S	TC1 start control	00: Stop and counter clear	0	0	0	0	0	0	0	R/W		
		01: Command start	0	-	-	-	-	0				
		10: Rising edge start (Ex-trigger/Pulse/PPG) Rising edge count (Event) Positive logic count (Window)	-	0	0	0	0	0	0			
		11: Falling edge start (Ex-trigger/Pulse/PPG) Falling edge count (Event) Negative logic count (Window)	-	0	0	0	0	0	0			
TC1CK	TC1 source clock select [Hz]	NORMAL, IDLE mode									R/W	
		DV1CK = 0				DV1CK = 1						
		00	fc/2 <sup>11</sup>				fc/2 <sup>12</sup>					
		01	fc/2 <sup>7</sup>				fc/2 <sup>8</sup>					
TC1M	TC1 operating mode select	00: Timer/external trigger timer/event counter mode									R/W	
		01: Window mode										
		10: Pulse width measurement mode										
		11: PPG (Programmable pulse generate) output mode										

Note 1: fc: High-frequency clock [Hz]

Note 2: The timer register consists of two shift registers. A value set in the timer register becomes valid at the rising edge of the first source clock pulse that occurs after the upper byte (TC1DRAH and TC1DRBH) is written. Therefore, write the lower byte and the upper byte in this order (it is recommended to write the register with a 16-bit access instruction). Writing only the lower byte (TC1DRAL and TC1DRBL) does not enable the setting of the timer register.



- Note 3: To set the mode, source clock, PPG output control and timer F/F control, write to TC1CR during TC1CR<TC1S>=00. Set the timer F/F1 control until the first timer start after setting the PPG mode.
- Note 4: Auto-capture can be used only in the timer, event counter, and window modes.
- Note 5: To set the timer registers, the following relationship must be satisfied.  
TC1DRA > TC1DRB > 1 (PPG output mode), TC1DRA > 1 (other modes)
- Note 6: Set TC1CR<TFF1> to "0" in the mode except PPG output mode.
- Note 7: Set TC1DRB after setting TC1CR<TC1M> to the PPG output mode.
- Note 8: When the STOP mode is entered, the start control (TC1CR<TC1S>) is cleared to "00" automatically, and the timer stops. After the STOP mode is exited, set the TC1CR<TC1S> to use the timer counter again.
- Note 9: Use the auto-capture function in the operative condition of TC1. A captured value may not be fixed if it's read after the execution of the timer stop or auto-capture disable. Read the capture value in a capture enabled condition.
- Note 10: Since the up-counter value is captured into TC1DRB by the source clock of up-counter after setting TC1CR<ACAP1> to "1". Therefore, to read the captured value, wait at least one cycle of the internal source clock before reading TC1DRB for the first time.

Not Recommended  
for New Design

## 9.3 Function

TimerCounter 1 has six types of operating modes: timer, external trigger timer, event counter, window, pulse width measurement, programmable pulse generator output modes.

### 9.3.1 Timer mode

In the timer mode, the up-counter counts up using the internal clock. When a match between the up-counter and the timer register 1A (TC1DRA) value is detected, an INTTC1 interrupt is generated and the up-counter is cleared. After being cleared, the up-counter restarts counting. Setting TC1CR<ACAP1> to "1" captures the up-counter value into the timer register 1B (TC1DRB) with the auto-capture function. Use the auto-capture function in the operative condition of TC1. A captured value may not be fixed if it's read after the execution of the timer stop or auto-capture disable. Read the capture value in a capture enabled condition. Since the up-counter value is captured into TC1DRB by the source clock of up-counter after setting TC1CR<ACAP1> to "1". Therefore, to read the captured value, wait at least one cycle of the internal source clock before reading TC1DRB for the first time.

Table 9-1 Source Clock for TimerCounter 1 (Example:  $f_c = 20$  MHz)

TC1CK	NORMAL, IDLE Mode			
	DV1CK = 0		DV1CK = 1	
	Resolution [ $\mu$ s]	Maximum Time Setting [s]	Resolution [ $\mu$ s]	Maximum Time Setting [s]
00	102.4	6.7108	204.8	13.4216
01	6.4	0.4194	12.8	0.8388
10	0.5	26.214 m	0.8	52.428 m

Example 1 :Setting the timer mode with source clock  $f_c/2^{11}$  [Hz] and generating an interrupt 1 second later ( $f_c = 20$  MHz, CGCR<DV1CK> = "0")

```
LDW      (TC1DRA), 2625H      ; Sets the timer register ( $1 \text{ s} \div 2^{11}/f_c = 2625\text{H}$ )
DI       ; IMF = "0"
SET      (EIRD), 2           ; Enables INTTC1
EI       ; IMF = "1"
LD       (TC1CR), 00000000B   ; Selects the source clock and mode
LD       (TC1CR), 00010000B   ; Starts TC1
```

Example 2 :Auto-capture

```
LD       (TC1CR), 01010000B   ; ACAP1 ← 1
:       :                       ; Wait at least one cycle of the internal source clock
LD       WA, (TC1DRB)         ; Reads the capture value
```

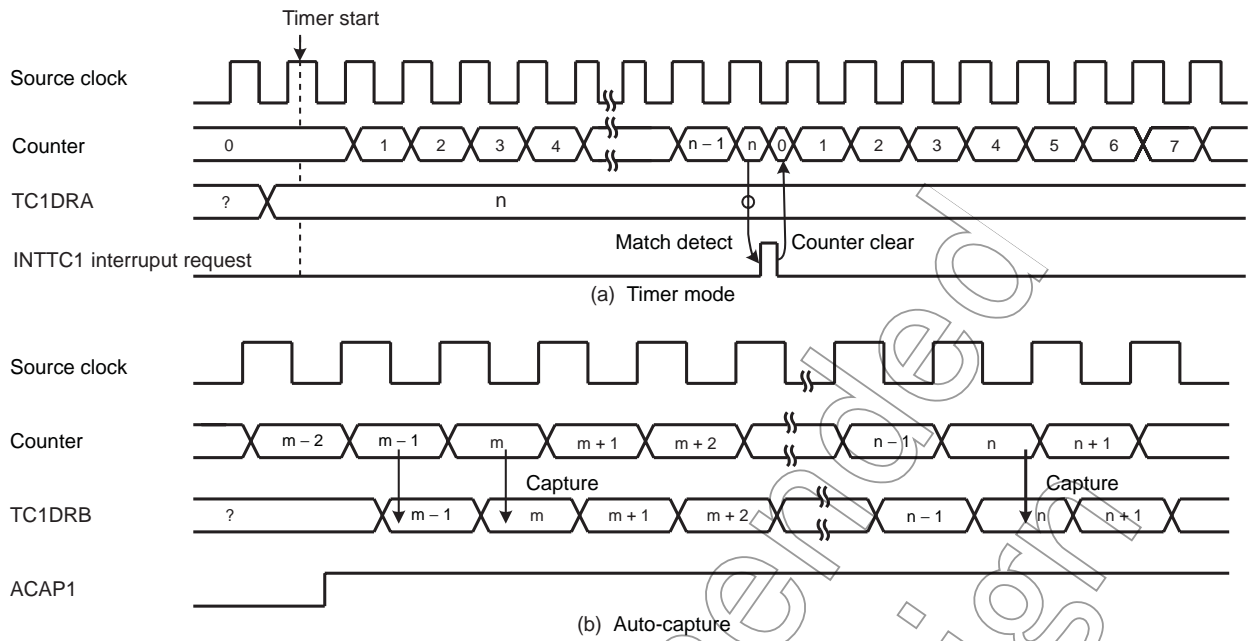


Figure 9-2 Timer Mode Timing Chart

Not Recommended for New Designs

### 9.3.2 External Trigger Timer Mode

In the external trigger timer mode, the up-counter starts counting by the input pulse triggering of the TC1 pin, and counts up at the edge of the internal clock. For the trigger edge used to start counting, either the rising or falling edge is defined in TC1CR<TC1S>.

- When TC1CR<METT1> is set to “1” (trigger start and stop)

When a match between the up-counter and the TC1DRA value is detected after the timer starts, the up-counter is cleared and halted and an INTTC1 interrupt request is generated.

If the edge opposite to trigger edge is detected before detecting a match between the up-counter and the TC1DRA, the up-counter is cleared and halted without generating an interrupt request. Therefore, this mode can be used to detect exceeding the specified pulse by interrupt.

After being halted, the up-counter restarts counting when the trigger edge is detected.

- When TC1CR<METT1> is set to “0” (trigger start)

When a match between the up-counter and the TC1DRA value is detected after the timer starts, the up-counter is cleared and halted and an INTTC1 interrupt request is generated.

The edge opposite to the trigger edge has no effect in count up. The trigger edge for the next counting is ignored if detecting it before detecting a match between the up-counter and the TC1DRA.

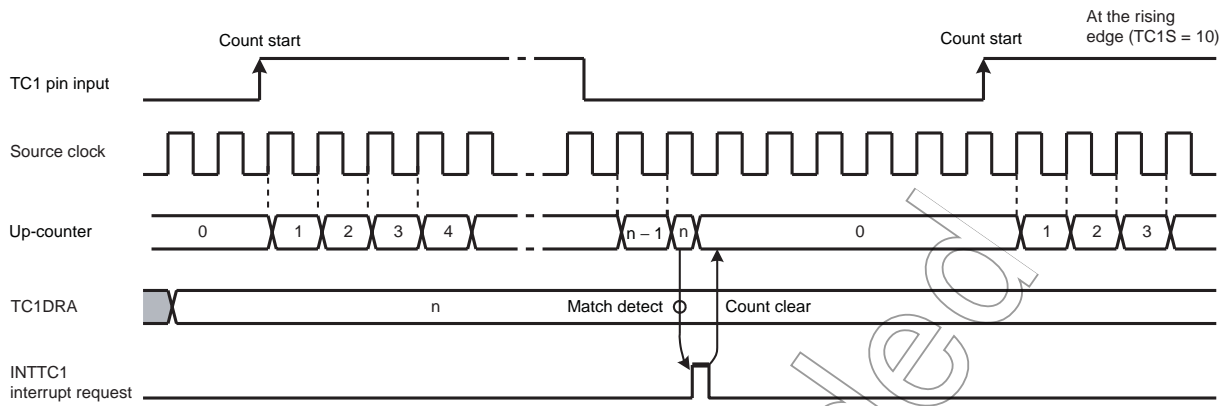
Since the TC1 pin input has the noise rejection, pulses of  $4/f_c$  [s] or less are rejected as noise. A pulse width of  $12/f_c$  [s] or more is required to ensure edge detection.

Example 1 :Generating an interrupt 1 ms after the rising edge of the input pulse to the TC1 pin  
( $f_c = 20$  MHz, CGCR<DV1CK> = “1”)

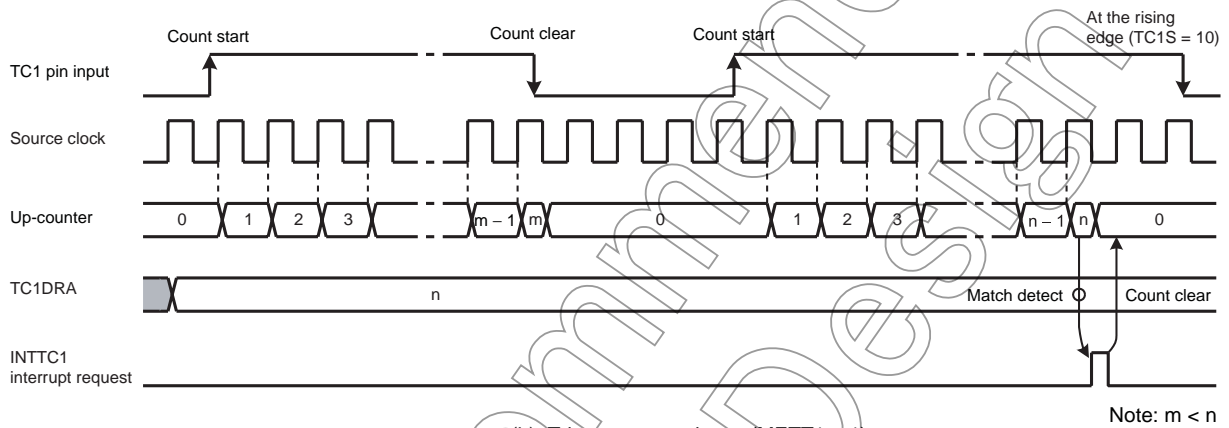
```
LDW      (TC1DRA), 007DH      ; 1ms ÷ 29/fc = 7DH
DI       ; IMF=“0”
SET      (EIRD), 2           ; Enables INTTC1 interrupt
EI       ; IMF=“1”
LD       (TC1CR), 00001000B   ; Selects the source clock and mode
LD       (TC1CR), 00111000B   ; Starts TC1 external trigger, METT1 = 0
```

Example 2 :Generating an interrupt when the low-level pulse with 4 ms or more width is input to the TC1 pin  
( $f_c = 20$  MHz, CGCR<DV1CK> = “1”)

```
LDW      (TC1DRA), 0138H     ; 4 ms ÷ 29/fc = 0138H
DI       ; IMF=“0”
SET      (EIRD), 2           ; Enables INTTC1 interrupt
EI       ; IMF=“1”
LD       (TC1CR), 00000100B   ; Selects the source clock and mode
LD       (TC1CR), 01110100B   ; Starts TC1 external trigger, METT1 = 0
```



(a) Trigger start (METT1 = 0)



(b) Trigger start and stop (METT1 = 1)

Note:  $m < n$

Figure 9-3 External Trigger Timer Mode Timing Chart

Not Recommended for New Design

### 9.3.3 Event Counter Mode

In the event counter mode, the up-counter counts up at the edge of the input pulse to the TC1 pin. Either the rising or falling edge of the input pulse is selected as the count up edge in TC1CR<TC1S>.

When a match between the up-counter and the TC1DRA value is detected, an INTTC1 interrupt is generated and the up-counter is cleared. After being cleared, the up-counter restarts counting at each edge of the input pulse to the TC1 pin. Since a match between the up-counter and the value set to TC1DRA is detected at the edge opposite to the selected edge, an INTTC1 interrupt request is generated after a match of the value at the edge opposite to the selected edge.

Two or more machine cycles are required for the low-or high-level pulse input to the TC1 pin.

Setting TC1CR<ACAP1> to "1" captures the up-counter value into TC1DRB with the auto capture function. Use the auto-capture function in the operative condition of TC1. A captured value may not be fixed if it's read after the execution of the timer stop or auto-capture disable. Read the capture value in a capture enabled condition. Since the up-counter value is captured into TC1DRB by the source clock of up-counter after setting TC1CR<ACAP1> to "1". Therefore, to read the captured value, wait at least one cycle of the internal source clock before reading TC1DRB for the first time.

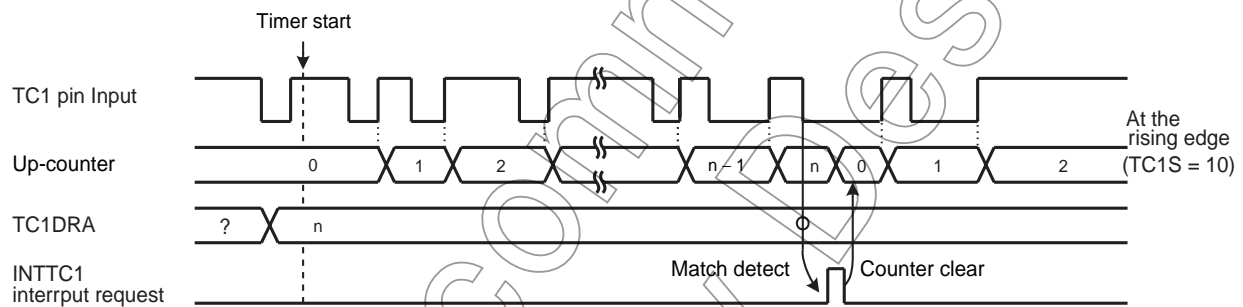


Figure 9-4 Event Counter Mode Timing Chart

Table 9-2 Input Pulth Width to TC1 Pin

	Minimum Pulse Width [s]
	NORMAL, IDLE Mode
High-going	$2^3/f_c$
Low-going	$2^3/f_c$

9.3.4 Window Mode

In the window mode, the up-counter counts up at the rising edge of the pulse that is logical ANDed product of the input pulse to the TC1 pin (window pulse) and the internal source clock. Either the positive logic (count up during high-going pulse) or negative logic (count up during low-going pulse) can be selected.

When a match between the up-counter and the TC1DRA value is detected, an INTTC1 interrupt is generated and the up-counter is cleared.

Define the window pulse to the frequency which is sufficiently lower than the internal source clock programmed with TC1CR<TC1CK>.

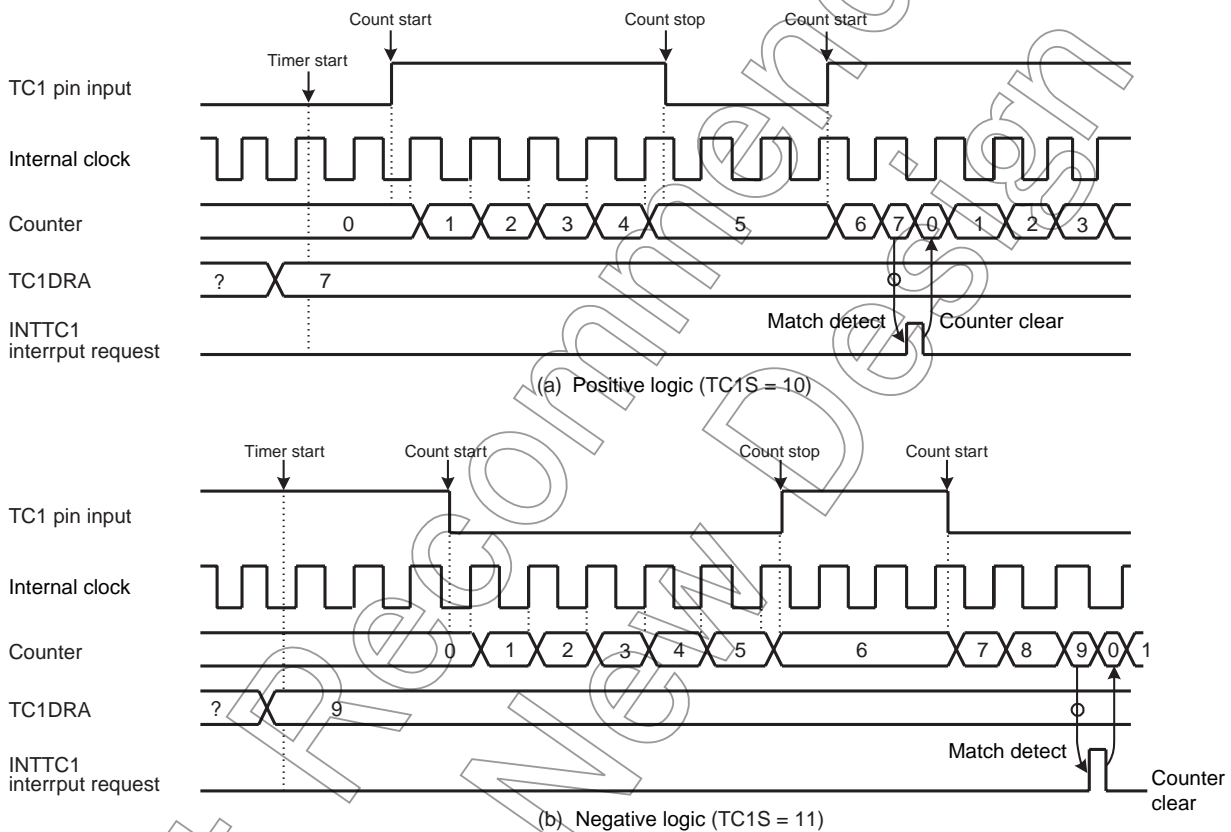


Figure 9-5 Window Mode Timing Chart

### 9.3.5 Pulse Width Measurement Mode

In the pulse width measurement mode, the up-counter starts counting by the input pulse triggering of the TC1 pin, and counts up at the edge of the internal clock. Either the rising or falling edge of the internal clock is selected as the trigger edge in TC1CR<TC1S>. Either the single- or double-edge capture is selected as the trigger edge in TC1CR<MCAP1>.

- When TC1CR<MCAP1> is set to “1” (single-edge capture)

Either high- or low-level input pulse width can be measured. To measure the high-level input pulse width, set the rising edge to TC1CR<TC1S>. To measure the low-level input pulse width, set the falling edge to TC1CR<TC1S>.

When detecting the edge opposite to the trigger edge used to start counting after the timer starts, the up-counter captures the up-counter value into TC1DRB and generates an INTTC1 interrupt request. The up-counter is cleared at this time, and then restarts counting when detecting the trigger edge used to start counting.

- When TC1CR<MCAP1> is set to “0” (double-edge capture)

The cycle starting with either the high- or low-going input pulse can be measured. To measure the cycle starting with the high-going pulse, set the rising edge to TC1CR<TC1S>. To measure the cycle starting with the low-going pulse, set the falling edge to TC1CR<TC1S>.

When detecting the edge opposite to the trigger edge used to start counting after the timer starts, the up-counter captures the up-counter value into TC1DRB and generates an INTTC1 interrupt request. The up-counter continues counting up, and captures the up-counter value into TC1DRB and generates an INTTC1 interrupt request when detecting the trigger edge used to start counting. The up-counter is cleared at this time, and then continues counting.

Note 1: The captured value must be read from TC1DRB until the next trigger edge is detected. If not read, the captured value becomes a don't care. It is recommended to use a 16-bit access instruction to read the captured value from TC1DRB.

Note 2: For the single-edge capture, the counter after capturing the value stops at “1” until detecting the next edge. Therefore, the second captured value is “1” larger than the captured value immediately after counting starts.

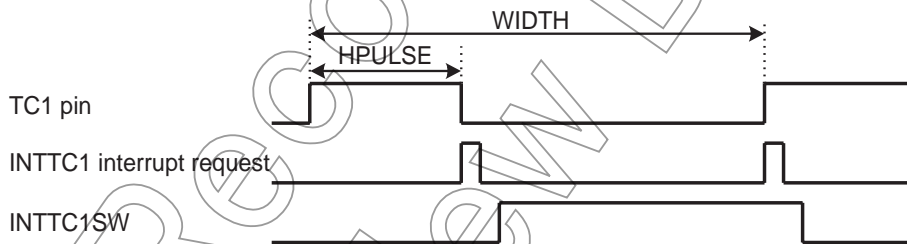
Note 3: The first captured value after the timer starts may be read incorrectly, therefore, ignore the first captured value.



Example :Duty measurement (resolution  $fc/2^7$  [Hz], CGCR<DV1CK> = "0")

```

                CLR      (INTTC1SW). 0      ; INTTC1 service switch initial setting
                ; Address set to convert INTTC1SW at each INTTC1
                LD       (TC1CR), 00000110B ; Sets the TC1 mode and source clock
                DI       ; IMF= "0"
                SET      (EIRD). 2          ; Enables INTTC1
                EI       ; IMF= "1"
                LD       (TC1CR), 00100110B ; Starts TC1 with an external trigger at MCAP1 = 0
                :
PINTTC1:       CPL      (INTTC1SW). 0      ; INTTC1 interrupt, inverts and tests INTTC1 service switch
                JRS      F, SINTTC1
                LD       A, (TC1DRBL)      ; Reads TC1DRB (High-level pulse width)
                LD       W,(TC1DRBH)
                LD       (HPULSE), WA      ; Stores high-level pulse width in RAM
                RETI
SINTTC1:       LD       A, (TC1DRBL)      ; Reads TC1DRB (Cycle)
                LD       W,(TC1DRBH)
                LD       (WIDTH), WA      ; Stores cycle in RAM
                :
                RETI      ; Duty calculation
                :
VINTTC1:       DW       PINTTC1          ;INTTC1 Interrupt vector
    
```



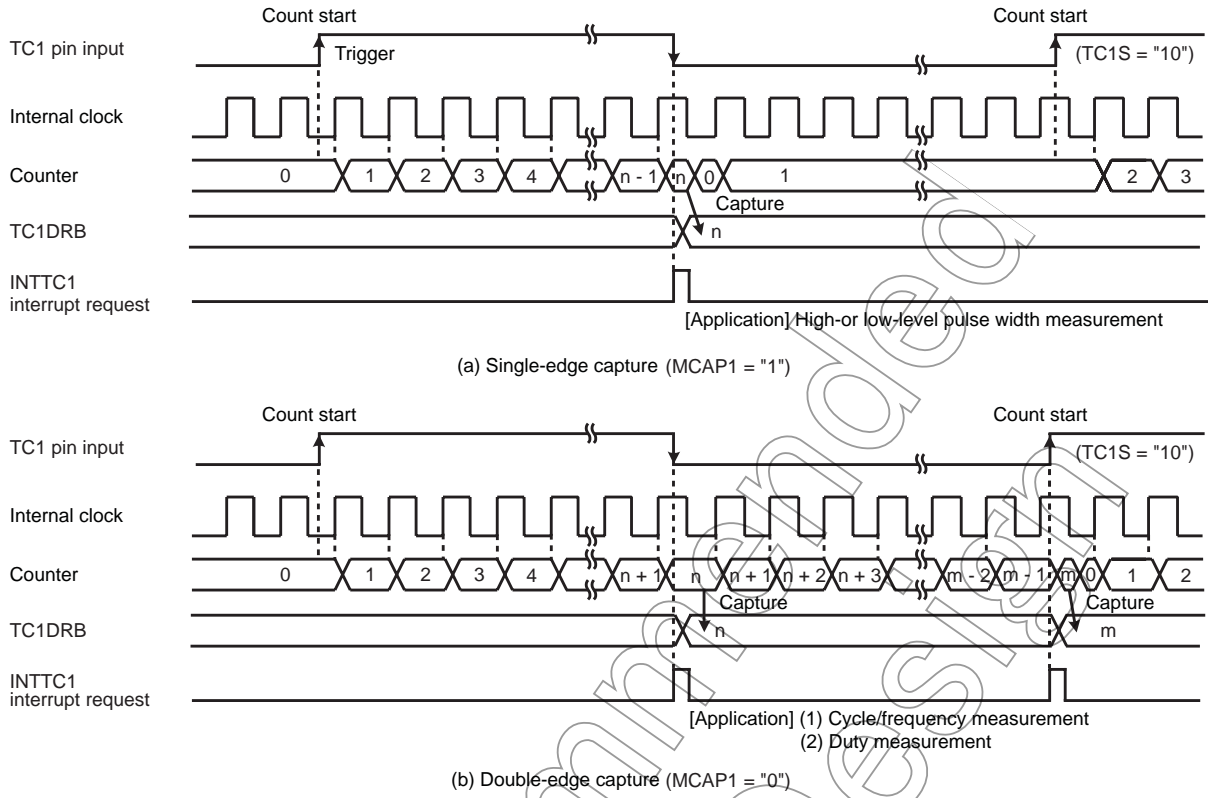


Figure 9-6 Pulse Width Measurement Mode

Not Recommended for New Designs

### 9.3.6 Programmable Pulse Generate (PPG) Output Mode

In the programmable pulse generation (PPG) mode, an arbitrary duty pulse is generated by counting performed in the internal clock. To start the timer, TC1CR<TC1S> specifies either the edge of the input pulse to the TC1 pin or the command start. TC1CR<MPPG1> specifies whether a duty pulse is produced continuously or not (one-shot pulse).

- When TC1CR<MPPG1> is set to “0” (Continuous pulse generation)

When a match between the up-counter and the TC1DRB value is detected after the timer starts, the level of the  $\overline{\text{PPG}}$  pin is inverted and an INTTC1 interrupt request is generated. The up-counter continues counting. When a match between the up-counter and the TC1DRA value is detected, the level of the  $\overline{\text{PPG}}$  pin is inverted and an INTTC1 interrupt request is generated. The up-counter is cleared at this time, and then continues counting and pulse generation.

When TC1CR<TC1S> is cleared to “00” during PPG output, the  $\overline{\text{PPG}}$  pin retains the level immediately before the counter stops.

- When TC1CR<MPPG1> is set to “1” (One-shot pulse generation)

When a match between the up-counter and the TC1DRB value is detected after the timer starts, the level of the PPG pin is inverted and an INTTC1 interrupt request is generated. The up-counter continues counting. When a match between the up-counter and the TC1DRA value is detected, the level of the PPG pin is inverted and an INTTC1 interrupt request is generated. TC1CR<TC1S> is cleared to “00” automatically at this time, and the timer stops. The pulse generated by PPG retains the same level as that when the timer stops.

Since the output level of the  $\overline{\text{PPG}}$  pin can be set with TC1CR<TFF1> when the timer starts, a positive or negative pulse can be generated. Since the inverted level of the timer F/F1 output level is output to the  $\overline{\text{PPG}}$  pin, specify TC1CR<TFF1> to “0” to set the high level to the  $\overline{\text{PPG}}$  pin, and “1” to set the low level to the  $\overline{\text{PPG}}$  pin. Upon reset, the timer F/F1 is initialized to “0”.

Note 1: To change TC1DRA or TC1DRB during a run of the timer, set a value sufficiently larger than the count value of the counter. Setting a value smaller than the count value of the counter during a run of the timer may generate a pulse different from that specified.

Note 2: Do not change TC1CR<TFF1> during a run of the timer. TC1CR<TFF1> can be set correctly only at initialization (after reset). When the timer stops during PPG, TC1CR<TFF1> can not be set correctly from this point onward if the PPG output has the level which is inverted of the level when the timer starts. (Setting TC1CR<TFF1> specifies the timer F/F1 to the level inverted of the programmed value.) Therefore, the timer F/F1 needs to be initialized to ensure an arbitrary level of the PPG output. To initialize the timer F/F1, change TC1CR<TC1M> to the timer mode (it is not required to start the timer mode), and then set the PPG mode. Set TC1CR<TFF1> at this time.

Note 3: In the PPG mode, the following relationship must be satisfied.

$$\text{TC1DRA} > \text{TC1DRB}$$

Note 4: Set TC1DRB after changing the mode of TC1M to the PPG mode.

Example : Generating a pulse which is high-going for 800  $\mu\text{s}$  and low-going for 200  $\mu\text{s}$   
( $f_c = 20 \text{ MHz}$ ,  $\text{CGCR}<\text{DV1CK}> = “0”$ )

	Setting port	
LD	(TC1CR), 10001011B	; Sets the PPG mode, selects the source clock
LDW	(TC1DRA), 04E2H	; Sets the cycle ( $1 \text{ ms} + 2^4/f_c \mu\text{s} = 04E2\text{H}$ )
LDW	(TC1DRB), 00FAH	; Sets the low-level pulse width ( $200 \mu\text{s} + 2^4/f_c = 00FA\text{H}$ )
LD	(TC1CR), 10010111B	; Starts the timer

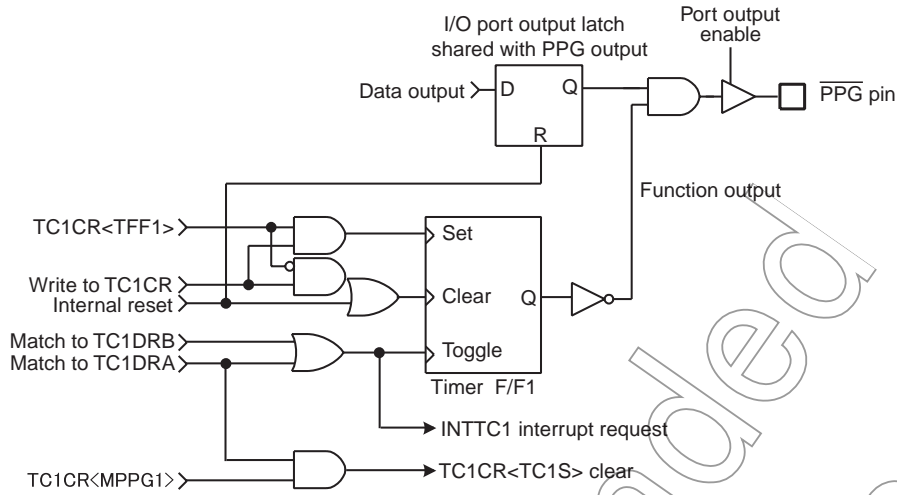
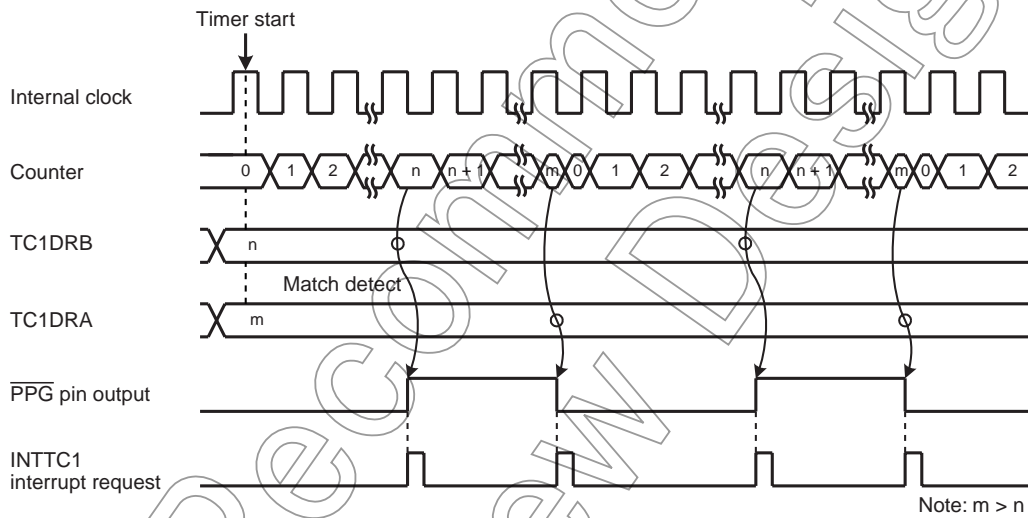
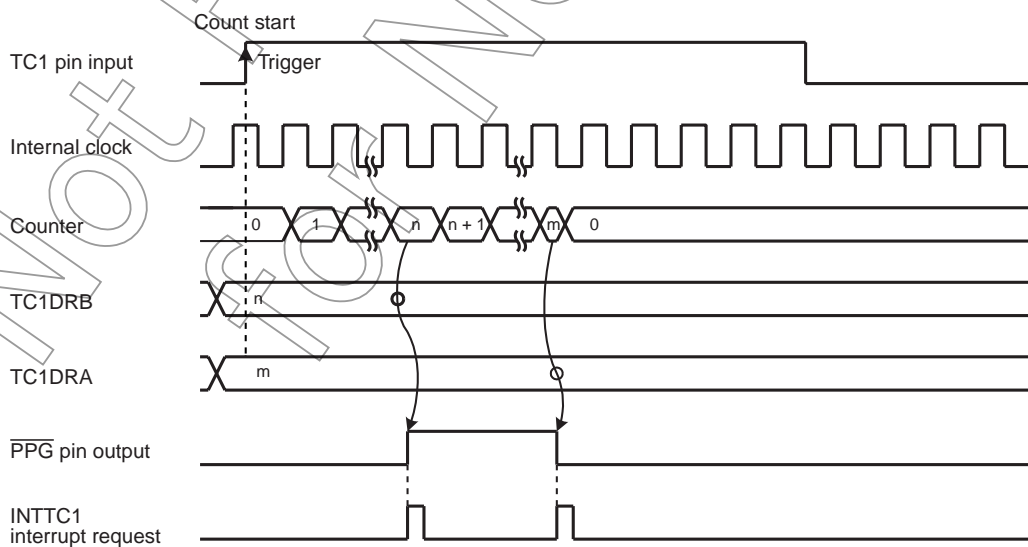


Figure 9-7 PPG Output



(a) Continuous pulse generation (TC1S = 01)



[Application] One-shot pulse output

(b) One-shot pulse generation (TC1S = 10)

Figure 9-8 PPG Mode Timing Chart

# 10. 16-Bit Timer (CTC)

## 10.1 Configuration

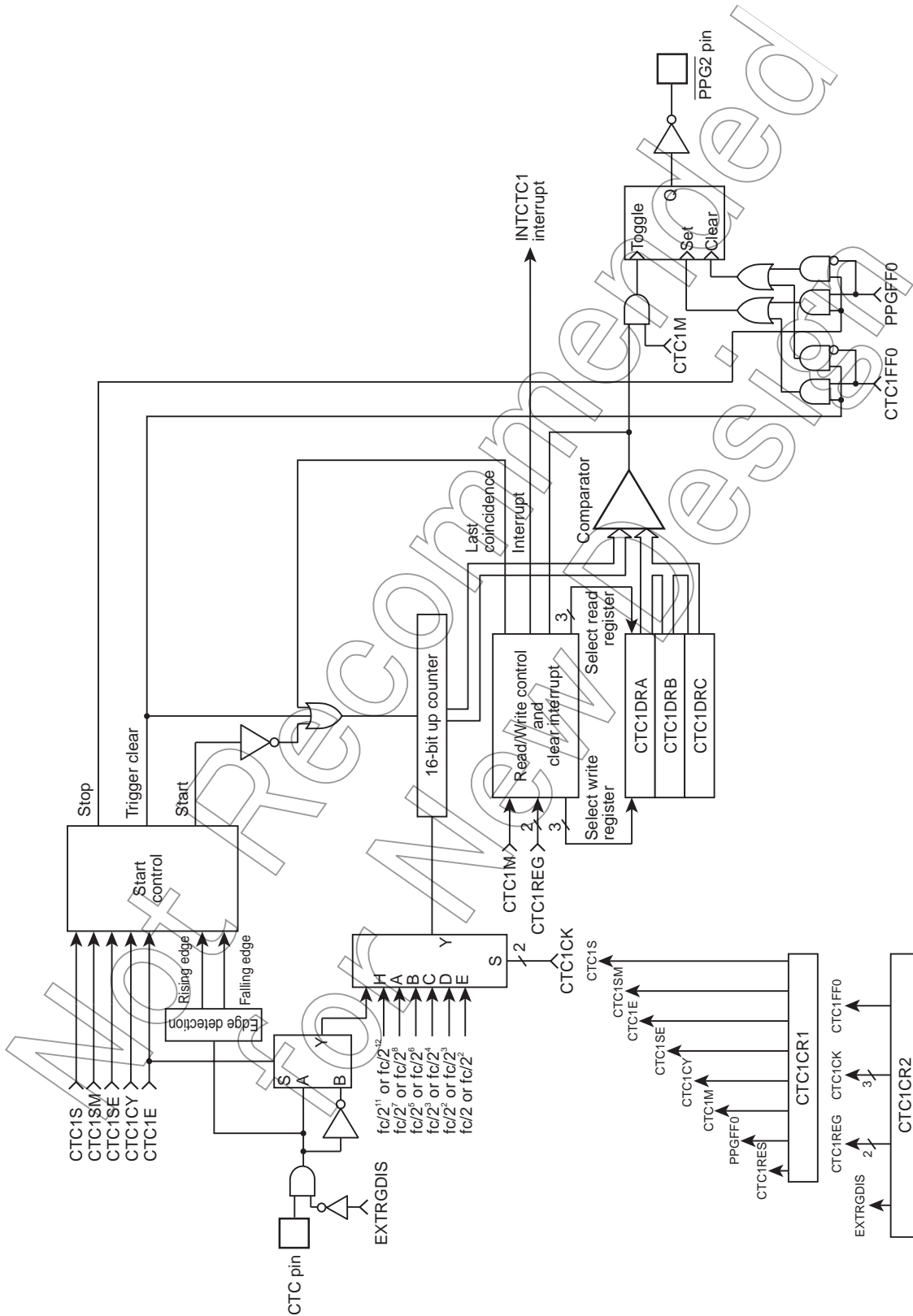


Figure 10-1 CTC Block Diagram

## 10.2 Control

Compare timer/counter 1 is controlled using Compare timer/counter 1 Control Registers (CTC1CR1 and CTC1CR2), as well as three 16-bit Timer Registers (CTC1DRA, CTC1DRB, and CTC1DRC).

### Compare Timer Registers (CTC1DRH: 00017h, CTC1DRL: 00016h)

CTC1DRA	15	14	13	12	11	10	9	8	7	6	5	4	3	2	1	0	Write only (Initial value: ***** *)
	CTC1DRAH								CTC1DRAL								
CTC1DRB	15	14	13	12	11	10	9	8	7	6	5	4	3	2	1	0	Write only (Initial value: ***** *)
	CTC1DRBH								CTC1DRBL								
CTC1DRC	15	14	13	12	11	10	9	8	7	6	5	4	3	2	1	0	Write only (Initial value: ***** *)
	CTC1DRCH								CTC1DRCL								

Note: CTC1DRA, CTC1DRB, and CTC1DRC are write-only registers and must not be used with any of the read-modify-write instructions such as SET, CLR, etc.

### Compare Timer/Counter 1 Control Registers (CTC1CR2: 00015h, CTC1CR1: 00014h)

CTC1CR1	7	6	5	4	3	2	1	0	R/W (Initial value: 00000000)
lower address	CTC1RES	PPGFF0	CTC1M	CTC1CY	CTC1SE	CTC1E	CTC1SM	CTC1S	
CTC1CR2	7	6	5	4	3	2	1	0	R/W (Initial value: *0000000)
upper address	*	EX-TRGDIS	CTC1REG		CTC1CK		CTC1FF0		

Note 1: \*: Don't care

Note 2: The CTC1CR1<CTC1RES> is 0 when read.

Note 3: Use the LDW instruction for write to the CTC1DR H/L Registers. Set a value equal to or greater than 2.

Note 4: Write to CTC1DR H/L A, B, and C Registers as many as set with the CTC1CR2 Register CTC1REG bit.

Note 5: Data are written to CTC1DR H/L Registers in order of CTC1DRA, CTC1DRB, and CTC1DRC.

Setting-up the CTC1CR1 Register

CTC1S	Control start	0: Stop and clear counter 1: Command start	Timer	Event	PPG	R/W
			o	o	o	
CTC1SM	Select start	0: Software start 1: External trigger start	o	o	o	
			o	x	o	
CTC1E	Select external trigger edge	0: Enable one edge 1: Enable both edges	o	o	o	
			o	x	o	
CTC1SE	Select external trigger start edge	0: Rising edge 1: Falling edge	o	o	o	
			o	o	o	
CTC1CY	Select cycle	0: Successive 1: One shot	o	o	o	
			o	x	o	
CTC1M	Set operation mode	0: Timer/Event counter modes 1: PPG (programmable pulse generator) output mode				
PPGFF0	Select PPG output	0: Forward output immediately after start 1: Reverse output immediately after start				
CTC1RES	Reset all	0: Normal operation 1: CTC1 reset				

Setting-up the CTC1CR2 Register

CTC1FF0	Control timer output F/F0	0: Clear 1: Set					R/W	
CTC1CK	Select timer/counter clock source Unit: Hz	NORMAL and IDLE Modes						
			DV1CK = 0	DV1CK = 1	Timer	Event		PPG
		000	fc/2 <sup>11</sup>	fc/2 <sup>12</sup>	o	-		x
		001	fc/2 <sup>7</sup>	fc/2 <sup>8</sup>	o	-		x
		010	fc/2 <sup>5</sup>	fc/2 <sup>6</sup>	o	-		x
		011	fc/2 <sup>5</sup>	fc/2 <sup>4</sup>	o	-		x
		100	fc/2 <sup>3</sup>	fc/2 <sup>3</sup>	o	-		o <sup>Note3</sup>
		101	fc/2	fc/2 <sup>2</sup>	o	-		o
110	-	-	x	x	x			
111	External clock input (CTC1 pin input)		-	o	x			
CTC1REG	Set registers used by timer/counter	00: CTC1DRA 01: CTC1DRA + CTC1DRB 10: CTC1DRA + CTC1DRB + CTC1DRC 11: Reserved	1REG 2REG 3REG					
EXTRGDIS	External trigger input <sup>Note4</sup>	0: Enable external trigger input 1: Disable external trigger input						

Note 1: fc: Clock [Hz]

Note 2: Make sure the timer/counter is idle (CTC1CR1<CTC1SM, CTC1S> = 00) before setting operation mode, edge, start, source clock, external trigger timer mode control, and PPG output control.

Note 3: When DV1CK=1, CTC1CR2<CTC1CK>=100 cannot be used.

Note 4: When CTC1 input is not used in the CTC1 timer, external trigger input must be disabled (CTC1CR2<EXTRGDIS> = 1) regardless of the selected mode.

Note 5: The CTC1DRB and CTC1DRC Registers cannot be accessed for write unless they are set for PPG output mode and specified with CTC1CR2<CTC1REG>.

Note 6: CTC1CR1<CTC1E> is effective only when using an external clock as trigger (CTC1CR1<CTC1SM>).

Note 7: Data must be written to as many data registers as set with CTC1CR2<CTC1REG>.

Note 8: To write data to CTC1DRA/B/C, use the LDW instruction, or use the LD instruction writing in order of L, H.

Note 9: Data register values must be written to the respective registers before starting. To modify the values after starting, write the new data within an interval from an INTCTC1 interrupt to the next INTCTC1.

Note 10: Specifying CTC1CR1<CTC1RES> = 1 causes all conditions to be reset. Even when the CTC circuit is operating, they are reset, and the PPG output becomes "0". However, only the INTCTC1 signal is not reset if the signal is being generated.

Note 11: For event counter mode (when CTC pin input is selected in timer mode), the active edge of the external trigger to count can be selected with CTC1CR1<CTC1SE>.

Note 12: Disabling external trigger input with CTC1CR2<EXTRGDIS> creates the 0 input state.

Note 13: To stop the counter by software at trigger start, set CTC1CR2<CTC1SM, CTC1S> = 00.

Note 14: The number of registers set and the values set in the timer registers must meet the conditions shown below.

Number of Registers		Timer Register Value Conditions
CTC1REG	1 Register	$CTC1DRA \geq 2$
	2 Register	$CTC1DRB > CTC1DRA + 1$ , and $CTC1DRA \geq 2$
	3 Register	$CTC1DRC > CTC1DRB + 1$ , $CTC1DRB > CTC1DRA + 1$ , and $CTC1DRA \geq 2$

Not Recommended  
for New Design



### 10.3 Function

Compare timer/counter 1 has three modes: timer, event counter, and programmable pulse generator output modes.

#### 10.3.1 Timer mode with software start

In this mode, the timer/counter (16-bit counter) counts up synchronously with the internal clock. When the counter value and the set value of Compare Timer Register 1A (CTC1DRA) match, an INTCTC1 interrupt is generated and the counter is cleared. After the counter is cleared, it restarts and continues counting up.

Table 10-1 Internal Clock Source for Compare Timer/Counter 1 (Example:  $f_c = 20$  MHz)

CTC1CK	NORMAL and IDLE Modes			
	DV1CK = 0		DV1CK = 1	
	Resolution [ $\mu$ s]	Maximum Setting Time [s]	Resolution [ $\mu$ s]	Maximum Setting Time [s]
000	102.4	6.71	204.8	13.42
001	6.4	0.419	12.8	0.839
010	1.6	0.105	3.2	0.210
011	0.4	26.21 m	0.8	52.43 m
100	0.2	13.11 m	0.4	26.21 m
101	0.1	6.55 m	0.2	13.11 m
110	-	-	-	-

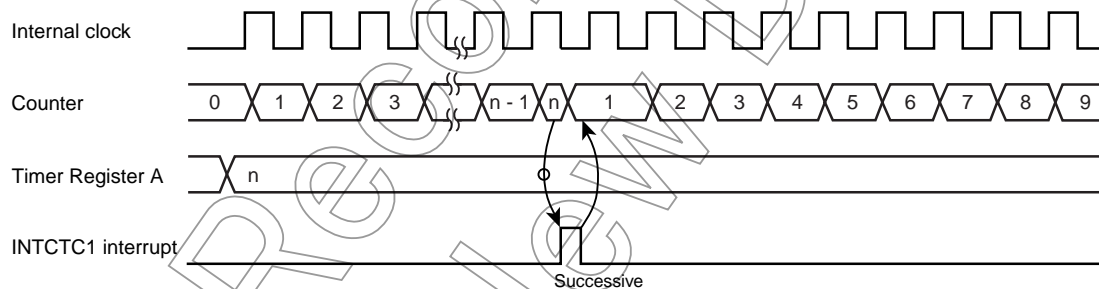


Figure 10-2 Timer Mode Timing Chart

Note: If the CTC input port (P47) is set for input mode, the timer/counter is reset by an input edge on port. When using the timer/counter as an ordinary timer, set CTC1CR2<EXTRGDIS> to 1 or set P47 for output mode.

### 10.3.2 Timer mode with external trigger start

In this timer mode, the timer/counter starts counting as triggered by input on CTC pin (rising or falling edge selected with CTC1CR1<CTC1SE>). The source clock is an internal clock. For successive cycles, when the counter value and the set value of the CTC1DRA Register match, an INTCTC1 interrupt is generated and the counter is cleared and then restarted. The counter is stopped by a trigger input on CTC pin and restarted by the next trigger input. For a one-shot cycle, when the counter value and the set value of the CTC1DRA Register match, an INTCTC1 interrupt is generated and the counter is cleared and stopped. The counter restarts counting up by input on CTC pin. When CTC1CR1<CTC1E> = 1, the counter is cleared and stops counting at an edge on CTC pin input opposite the active edge that triggers the counter to start counting. In this mode, an interrupt can be generated by entering a pulse which has a certain width. When CTC1CR1<CTC1E> = 0, opposite edges on CTC input are ignored.

(l) When rising edge start is selected, with counting enabled on one edge  
( CTC1SE = 0, CTC1E = 0 )

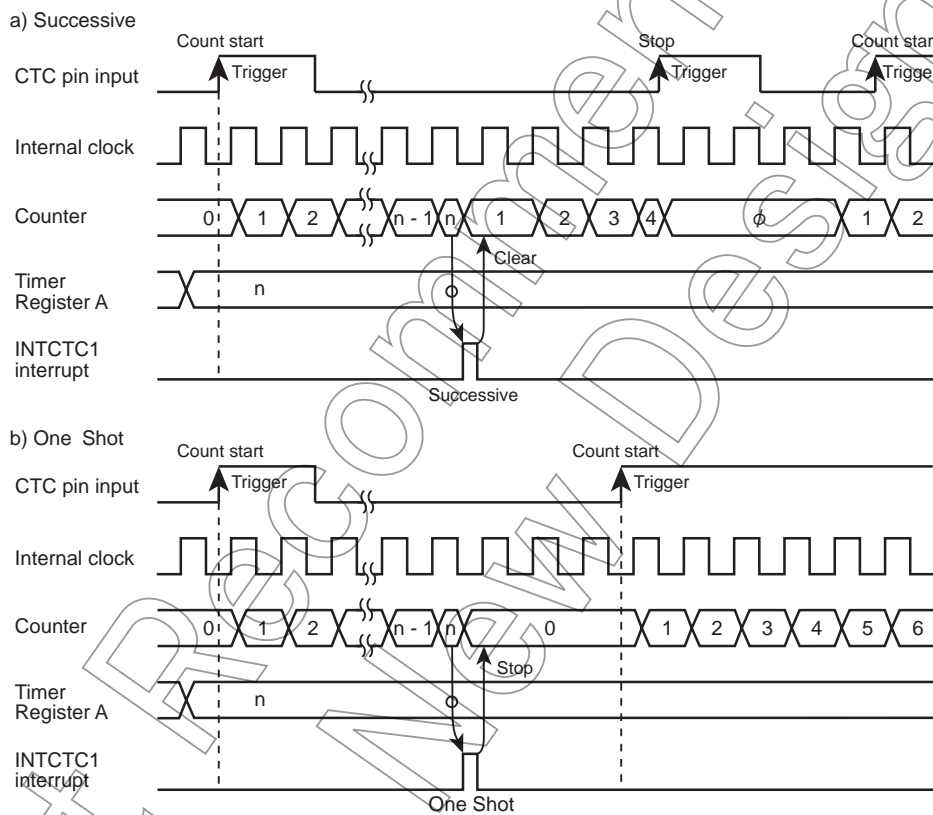


Figure 10-3 External Trigger Mode Timing Chart

(II) When rising start edge is selected, with counting enabled on both edges  
 (CTC1SE = 0, CTC1E = 1)

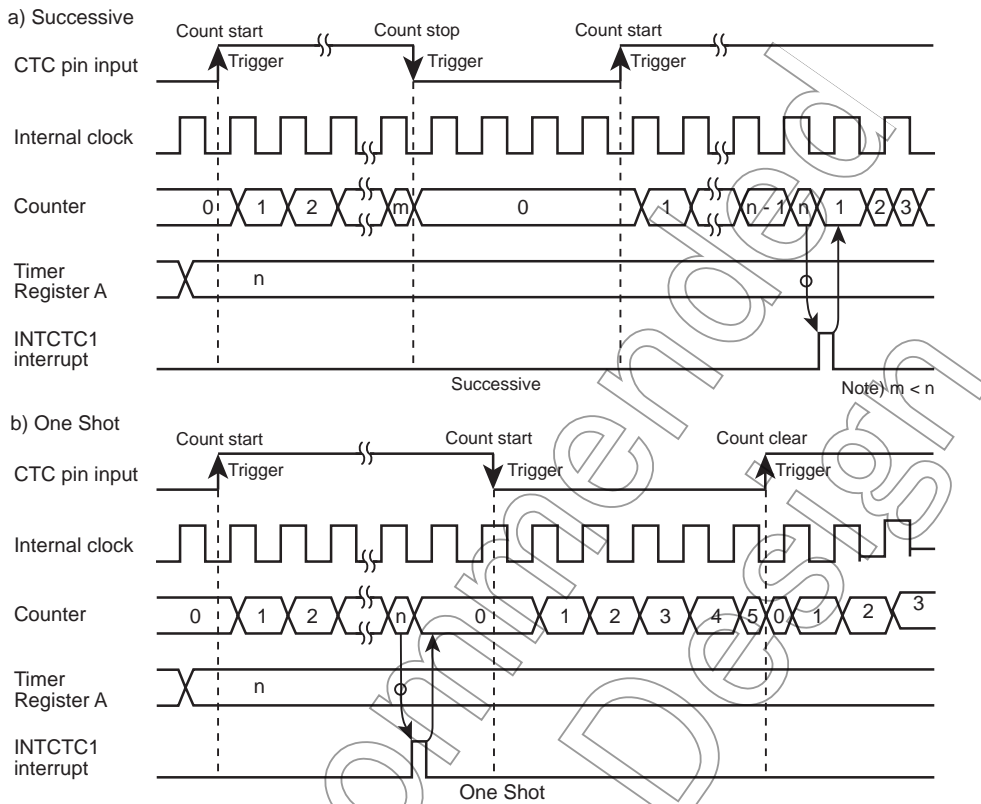


Figure 10-4 External Trigger Mode Timing Chart

### 10.3.3 Event counter mode

In this mode, the timer/counter counts up at the active edge on CTC pin input (rising or falling edge selected with the CTC1CR1<CTC1SE> which is provided for selecting external trigger edge). When the counter value and the set value of the CTC1DRA Register match, an INTCTC1 interrupt is generated and the counter is cleared. After the counter is cleared, it restarts and continues counting up at each edge on CTC pin input. The maximum applied frequency is shown in the table below. Because coincidence detection is made at an edge opposite the selected edge, the external clock signal on CTC pin must always be entered.

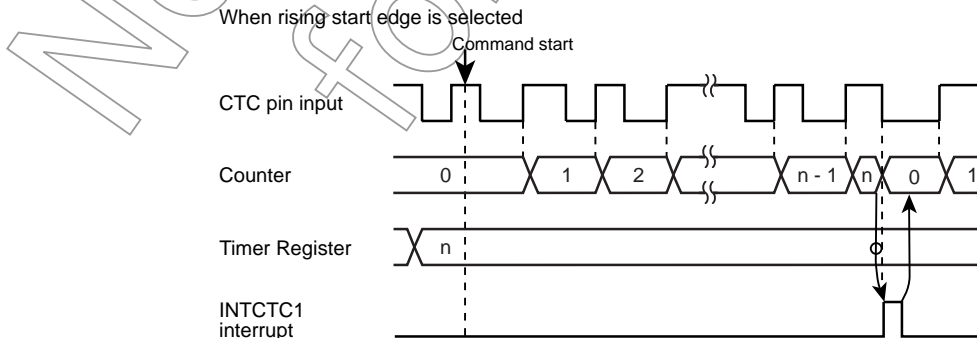


Figure 10-5 Event Counter Mode Timing Chart

Table 10-2 External Clock Source for Compare Timer/Counter 1

	NORMAL and IDLE Modes
Maximum applied frequency [Hz]	Up to $f_c/2^2$
Minimum pulse width	$2^2/f_c$ and over

### 10.3.4 Programmable Pulse Generate (PPG) output mode

The timer/counter starts counting as a command or edge on CTC pin input (rising/falling edge and one/both edges respectively selected with the CTC1CR1<CTC1SE> and CTC1CR1<CTC1E>). The source clock is an internal clock. When matched with the CTC1DR A/B/C Registers, the timer output F/F corresponding to each mode is inverted. When matched with the CTC1DR A/B/C Registers next time, the timer output F/F is inverted again. An INTCTC1 interrupt request is generated when the counter value matches the maximum register value set by CTC1CR2<CTCREG>. The timer output F/F is cleared to 0 when reset. Because CTC1CR2<CTC1FF0> can be used to set the initial value for the timer output F/F, an active-high or active-low pulse whichever is desired can be output. The CTC1DRB and CTC1DRC Registers cannot be accessed for write unless they are set for PPG output mode and the registers used are selected with CTC1CR2<CTC1REG>. The number of registers set can be altered during operation. In this case, however, be sure to set the number of registers used and write values to the data registers before the next CTC1INIT1 is output after the first CTC1INIT1 output. Even when only altering the data register values while leaving the number of registers unchanged, be sure to do this within the same period of time.

Table 10-3 Internal Clock Source for Compare Timer/Counter 1 (Example:  $f_c = 20$  MHz)

CTC1CK	NORMAL and IDLE Modes			
	DV1CK = 0		DV1CK = 1	
	Resolution [ $\mu$ s]	Maximum Setting Time [s]	Resolution [ $\mu$ s]	Maximum Setting Time [s]
000	-	-	-	-
001	-	-	-	-
010	-	-	-	-
011	-	-	-	-
100	0.2	13.11 m	-	-
101	0.1	6.55 m	0.2	13.11m
110	-	-	-	-

Note: When Port P47 is set as a CTC input port, an edge input resets the timer/counter. when PPG output mode is selected and external trigger start is not used, set CTC1CR2<EXTRGDIS> to "1" or set P47 as an output port.

(I) One register used (CTC1REG = 00)  
When set to command start.

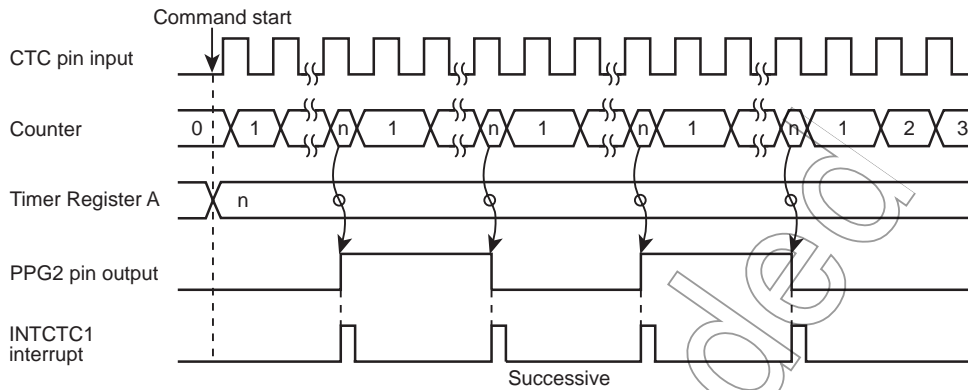


Figure 10-6 One Register Command Start Mode Timing Chart

(II) Two registers used (CTC1REG = 01)  
When set to the external trigger rising edge start and the one edge enable.

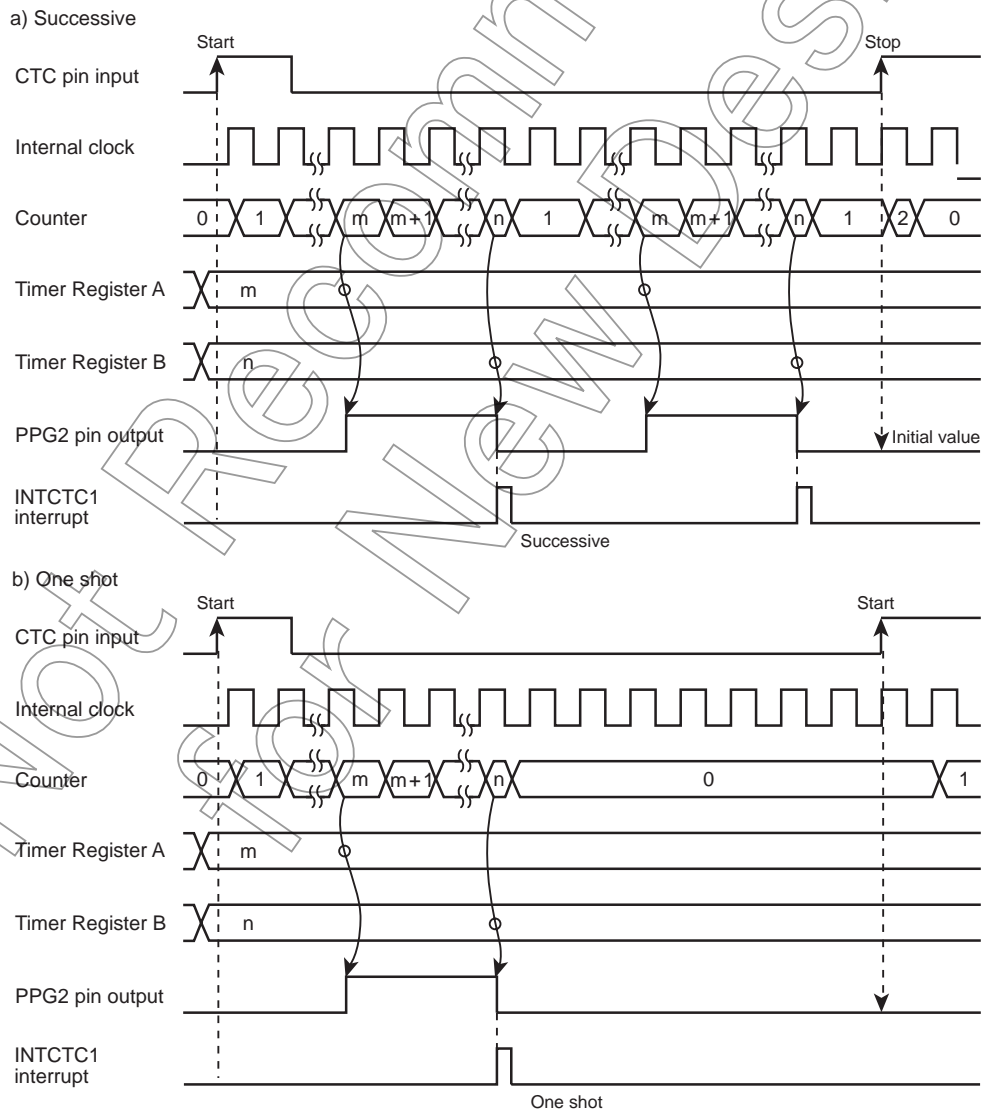


Figure 10-7 Two Register One Edge Trigger Start Mode Timing Chart

When set to the external trigger rising edge start and the both edges enable.

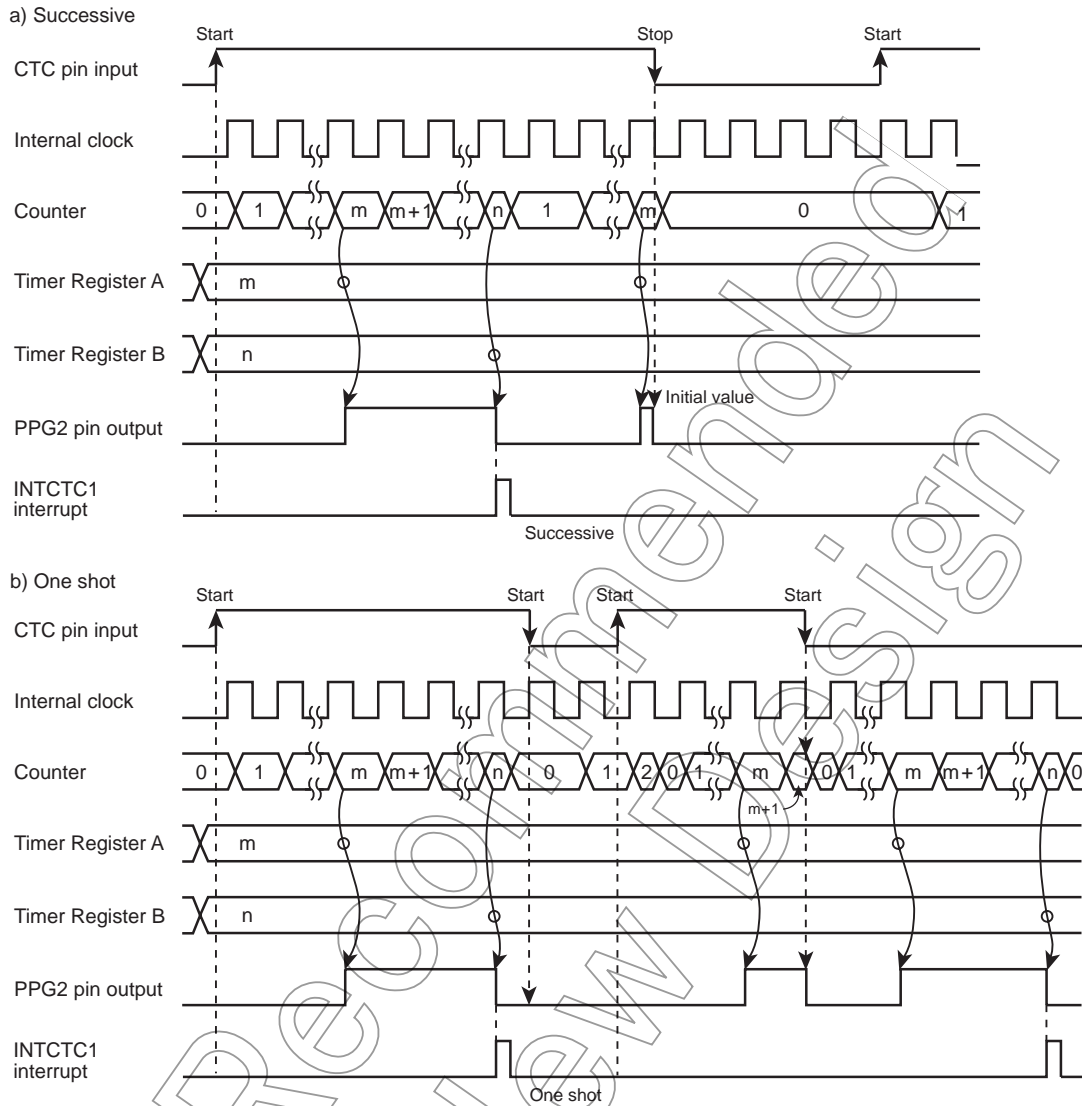
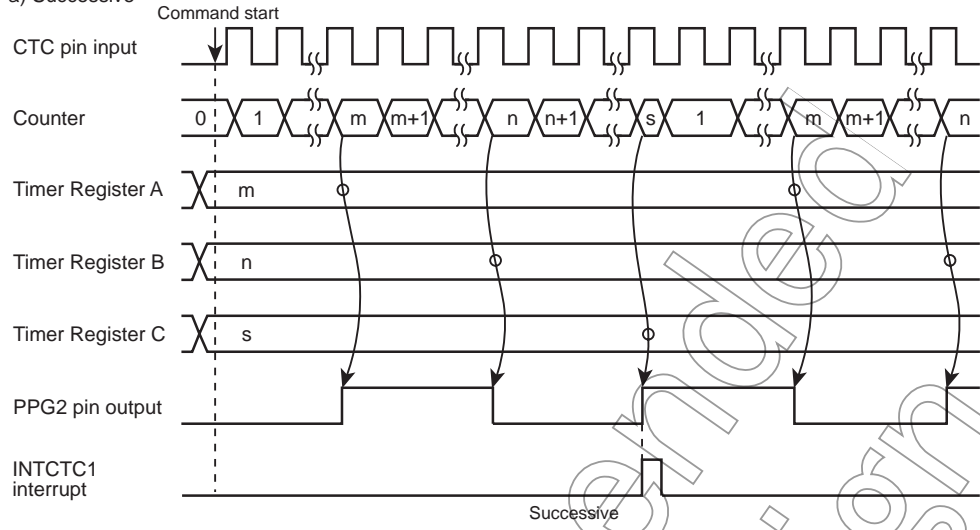


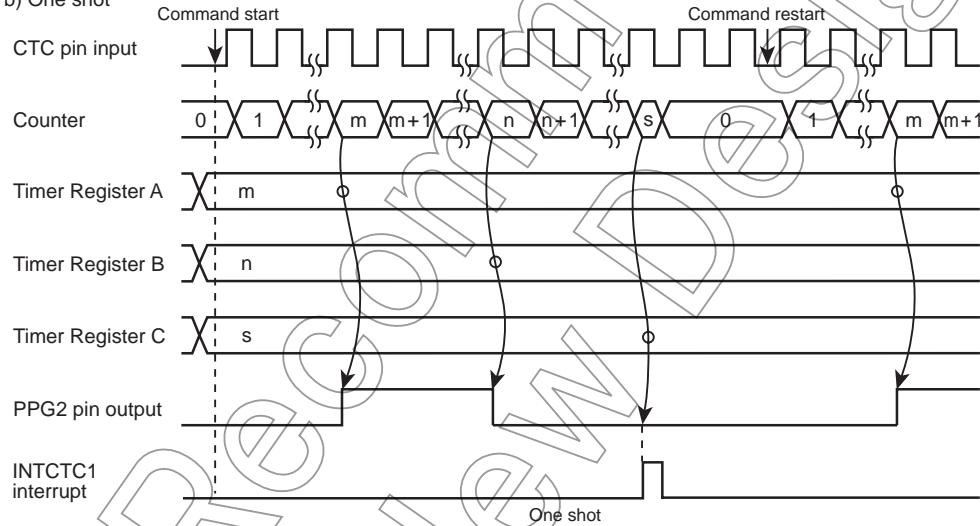
Figure 10-8 Two Register Both edges Trigger Start Mode Timing Chart

(III) Three registers used (CTC1REG = 10)  
When set to command start.

a) Successive



b) One shot

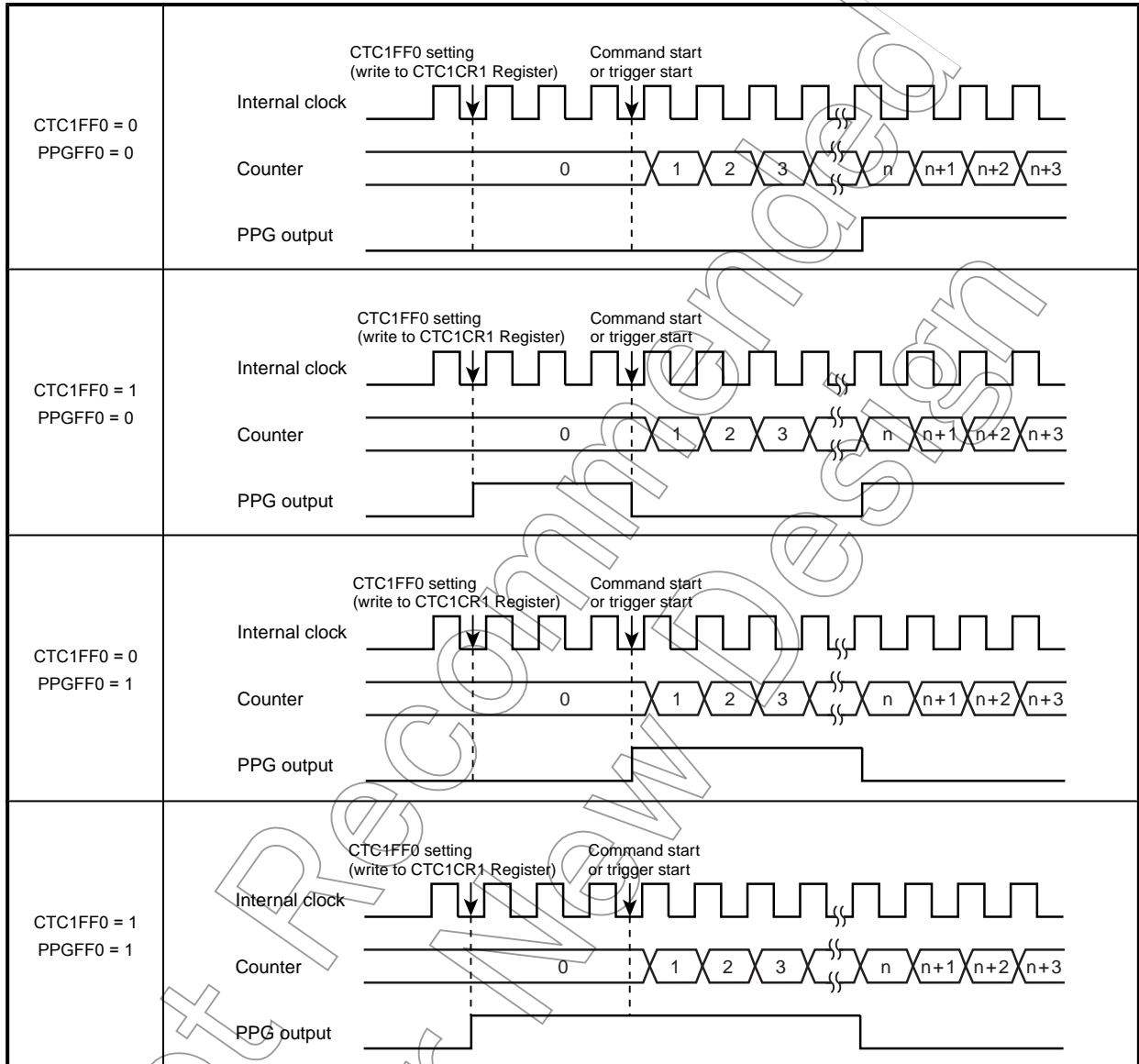


Note: In the single-shot mode, the PPG pin output is not toggled at the last register match; it stays at the value specified with CTC1CR2<CTC1FF0>.

Figure 10-9 Three Register Command Start Mode Timing Chart

Detail operation at start that varies depending on how CTC1CR2<CTC1FF0> and CTC1CR1<PPGFF0> are set during PPG output.

Table 10-4 Varying PPG Output Timing Depending on Settings

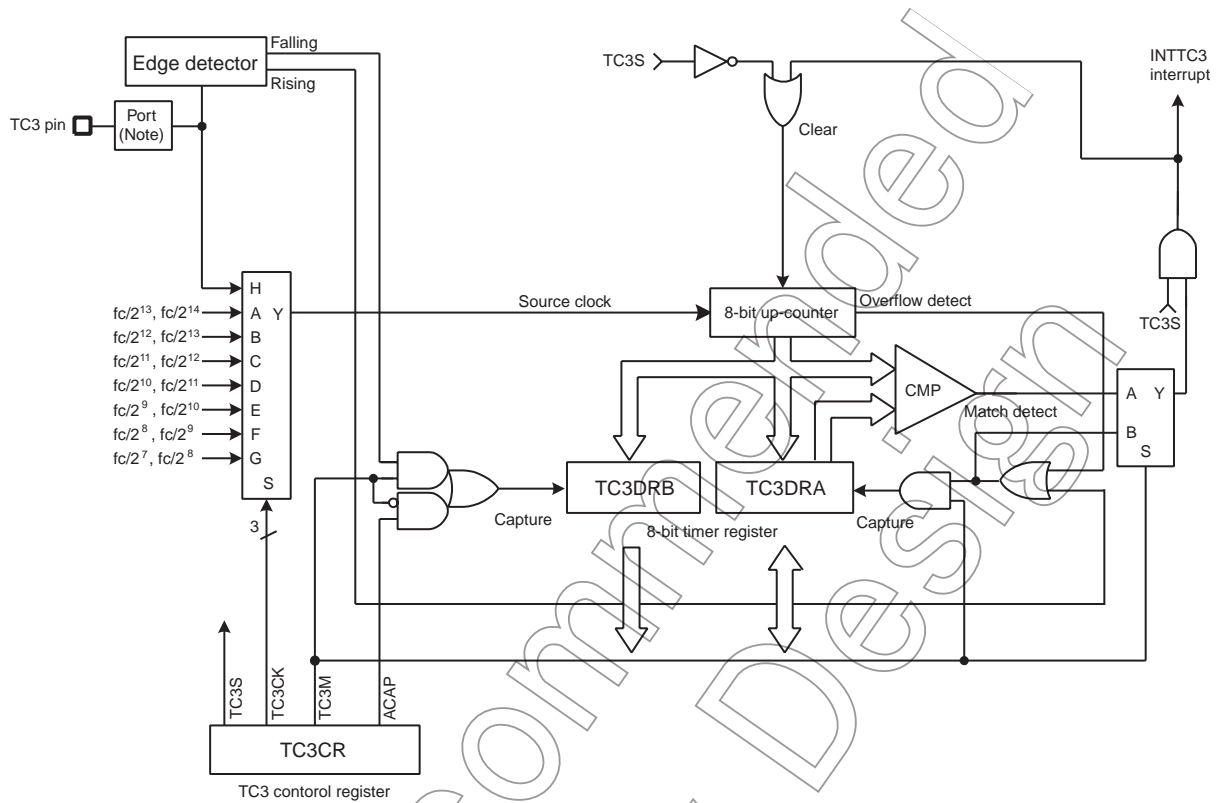


By changing the port-shared output for PPG output before the counter starts counting after setting CTC1CR2<CTC1FF0>, it is possible to determine the initial value of PPG output.



# 11. 8-Bit TimerCounter 3 (TC3)

## 11.1 Configuration



Note: Function input may not operate depending on I/O port setting. For more details, see the chapter "I/O Port".

Figure 11-1 TimerCounter 3 (TC3)

Not Recommended for New Design

## 11.2 TimerCounter Control

The TimerCounter 3 is controlled by the TimerCounter 3 control register (TC3CR) and two 8-bit timer registers (TC3DRA and TC3DRB).

### Timer Register and Control Register



ACAP	Auto capture control	0: - 1: Auto capture	R/W	
TC3S	TC3 start control	0: Stop and counter clear 1: Start	R/W	
TC3CK	TC3 source clock select [Hz]	NORMAL, IDLE mode		
			DV1CK=0	DV1CK=1
		000	$fc/2^{13}$	$fc/2^{14}$
		001	$fc/2^{12}$	$fc/2^{13}$
		010	$fc/2^{11}$	$fc/2^{12}$
		011	$fc/2^{10}$	$fc/2^{11}$
		100	$fc/2^9$	$fc/2^{10}$
		101	$fc/2^8$	$fc/2^9$
	110	$fc/2^7$	$fc/2^8$	
	111	External clock (TC3pin input)		
TC3M	TC3 operating mode select	0: Timer/event counter mode 1: Capture mode	R/W	

Note 1: fc: High-frequency clock [Hz], \*: Don't care

Note 2: Set the operating mode and source clock when TimerCounter stops (TC3CR<TC3S> = 0).

Note 3: To set the timer registers, the following relationship must be satisfied.

TC3DRA > 1 (Timer/event counter mode)

Note 4: Auto-capture (TC3CR<ACAP>) can be used only in the timer and event counter modes.

Note 5: When the read instruction is executed to TC3CR, the bit 5 and 7 are read as a don't care.

Note 6: Do not program TC3DRA when the timer is running (TC3CR<TC3S> = 1).

Note 7: When the STOP mode is entered, the start control (TC3CR<TC3S>) is cleared to 0 automatically, and the timer stops. After the STOP mode is exited, TC3CR<TC3S> must be set again to use the timer counter.

### 11.3 Function

TimerCounter 3 has three types of operating modes: timer, event counter and capture modes.

#### 11.3.1 Timer mode

In the timer mode, the up-counter counts up using the internal clock. When a match between the up-counter and the timer register 3A (TC3DRA) value is detected, an INTTC3 interrupt is generated and the up-counter is cleared. After being cleared, the up-counter restarts counting. Setting TC3CR<ACAP> to 1 captures the up-counter value into the timer register 3B (TC3DRB) with the auto-capture function. The count value during timer operation can be checked by executing the read instruction to TC3DRB.

Note: 00H which is stored in the up-counter immediately after detection of a match is not captured into TC3DRB. (Figure 11-2)

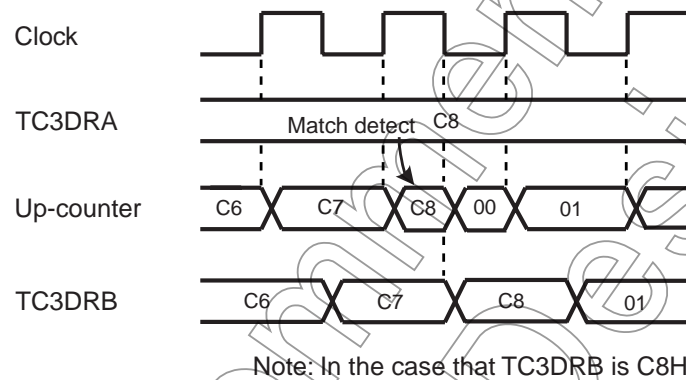


Figure 11-2 Auto-Capture Function

Table 11-1 Source Clock for TimerCounter 3 (Example: fc = 20 MHz)

TC3CK	NORMAL, IDLE mode			
	DV1CK = 0		DV1CK = 1	
	Resolution [μs]	Maximum Time Setting [ms]	Resolution [μs]	Maximum Time Setting [ms]
000	409.6	104.45	819.2	208.90
001	204.8	52.22	409.6	104.45
010	102.4	26.11	204.8	52.22
011	51.2	13.06	102.4	26.11
100	25.6	6.53	51.2	13.06
101	12.8	3.06	25.6	6.53
110	6.4	1.63	12.8	3.06

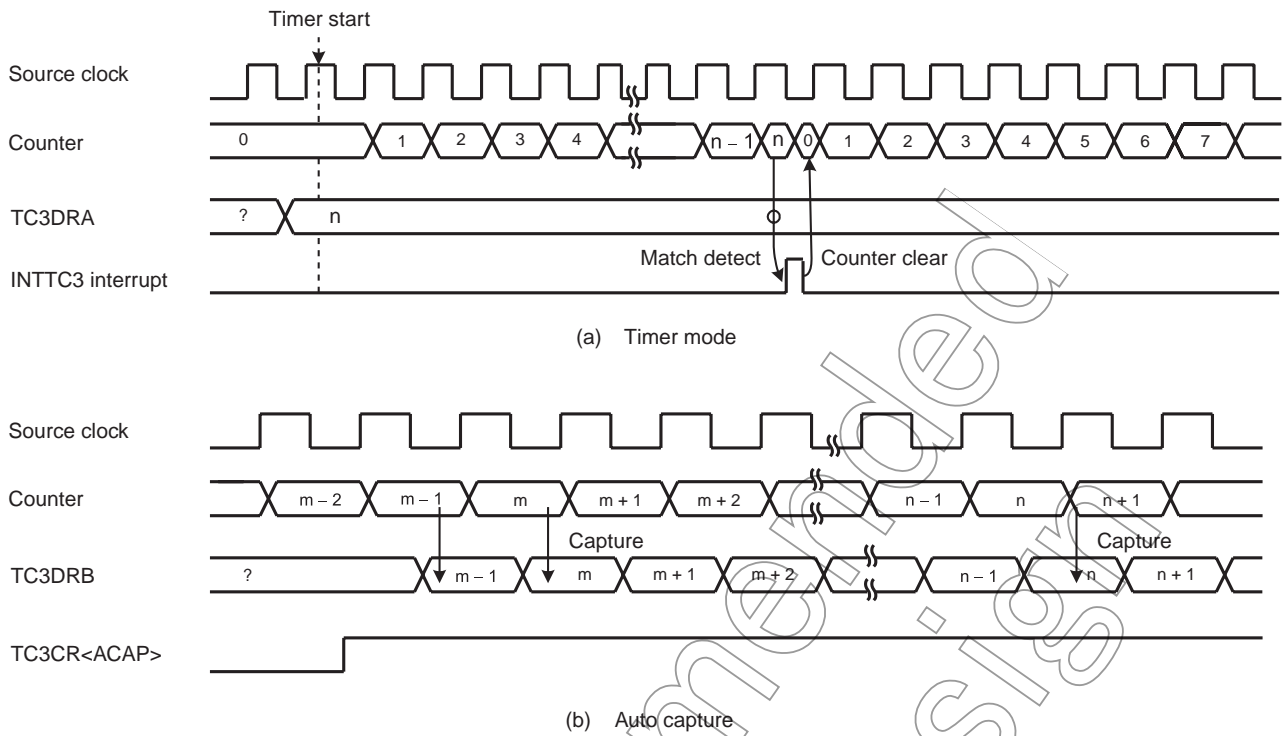


Figure 11-3 Timer Mode Timing Chart

Not Recommended for New Designs

### 11.3.2 Event Counter Mode

In the event counter mode, the up-counter counts up at the rising edge of the input pulse to the TC3 pin.

When a match between the up-counter and TC3DRA value is detected, an INTTC3 interrupt is generated and up-counter is cleared. After being cleared, the up-counter restarts counting at each rising edge of the input pulse to the TC3 pin. Since a match is detected at the falling edge of the input pulse to TC3 pin, an INTTC3 interrupt request is generated at the falling edge immediately after the up-counter reaches the value set in TC3DRA.

The maximum applied frequencies are shown in Table 11-2. The pulse width larger than one machine cycle is required for high-going and low-going pulses.

Setting TC3CR<ACAP> to 1 captures the up-counter value into TC3DRB with the auto-capture function. The count value during a timer operation can be checked by the read instruction to TC3DRB.

Note: 00H which is stored in the up-counter immediately after detection of a match is not captured into TC3DRB. (Figure 11-2)

Example : Inputting 50 Hz pulse to TC3, and generating interrupts every 0.5 s

- LD (TC3CR), 00001110B : Sets the clock mode
- LD (TC3DRA), 19H :  $0.5 \text{ s} \times 1/50 = 25 = 19\text{H}$
- LD (TC3CR), 00011110B : Starts TC3.

Table 11-2 Maximum Frequencies Applied to TC3

	Minimum Pulse Width
	NORMAL, IDLE mode
High-going	$2^2/f_c$
Low-going	$2^2/f_c$

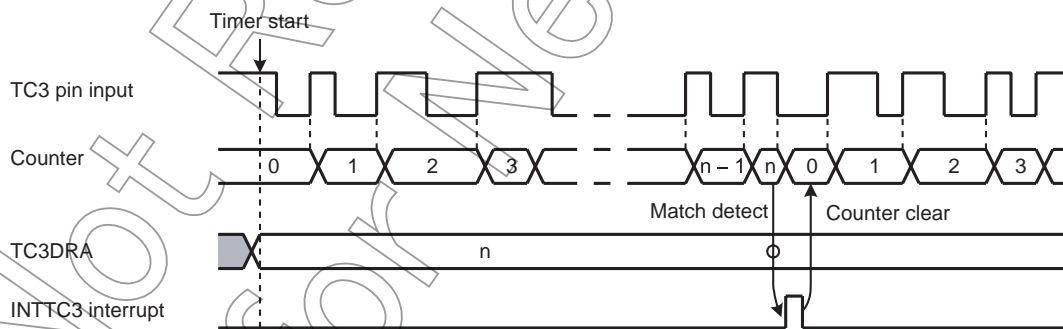


Figure 11-4 Event Counter Mode Timing Chart

### 11.3.3 Capture Mode

In the capture mode, the pulse width, frequency and duty cycle of the pulse input to the TC3 pin are measured with the internal clock. The capture mode is used to decode remote control signals, and identify AC50/60 Hz.

When the falling edge of the TC3 input is detected after the timer starts, the up-counter value is captured into TC3DRB. Hereafter, whenever the rising edge is detected, the up-counter value is captured into TC3DRA and the INTTC3 interrupt request is generated. The up-counter is cleared at this time. Generally, read TC3DRB and TC3DRA during INTTC3 interrupt processing. After the up-counter is cleared, counting is continued and the next up-counter value is captured into TC3DRB.

When the rising edge is detected immediately after the timer starts, the up-counter value is captured into TC3DRA only, but not into TC3DRB. The INTTC3 interrupt request is generated. When the read instruction is executed to TC3DRB at this time, the value at the completion of the last capture (FF immediately after a reset) is read.

The minimum input pulse width must be larger than one cycle width of the source clock programmed in TC3CR<TC3CK>.

The INTTC3 interrupt request is generated if the up-counter overflow (FFH) occurs during capture operation before the edge is detected. TC3DRA is set to FFH and the up-counter is cleared. Counting is continued by the up-counter, but capture operation and overflow detection are stopped until TC3DRA is read. Generally, read TC3DRB first because capture operation and overflow detection resume by reading TC3DRA.

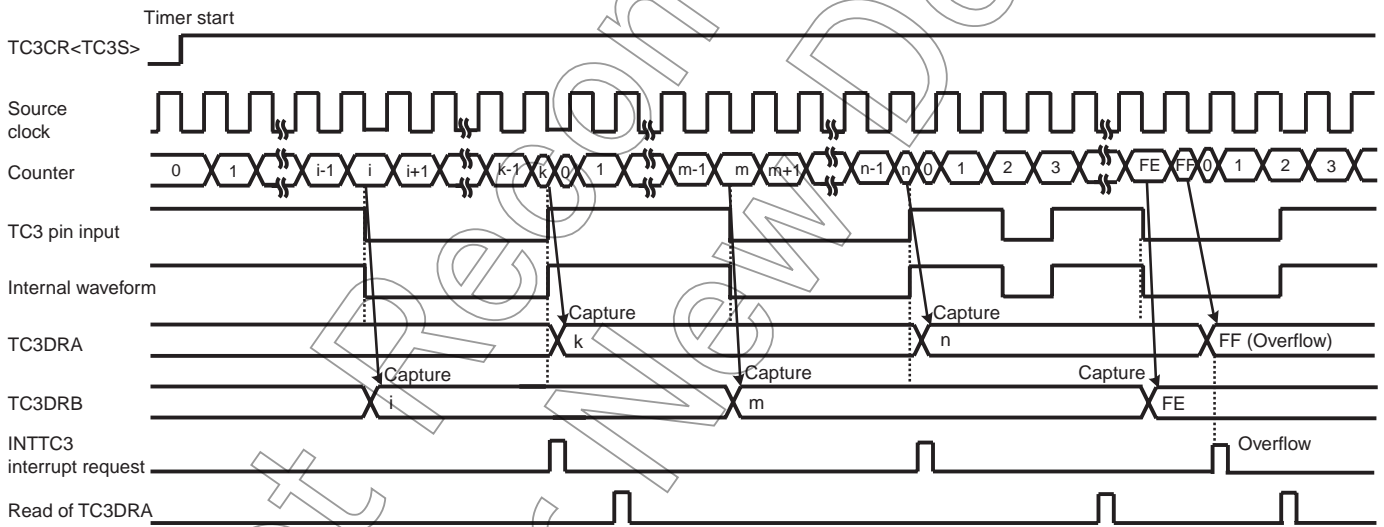
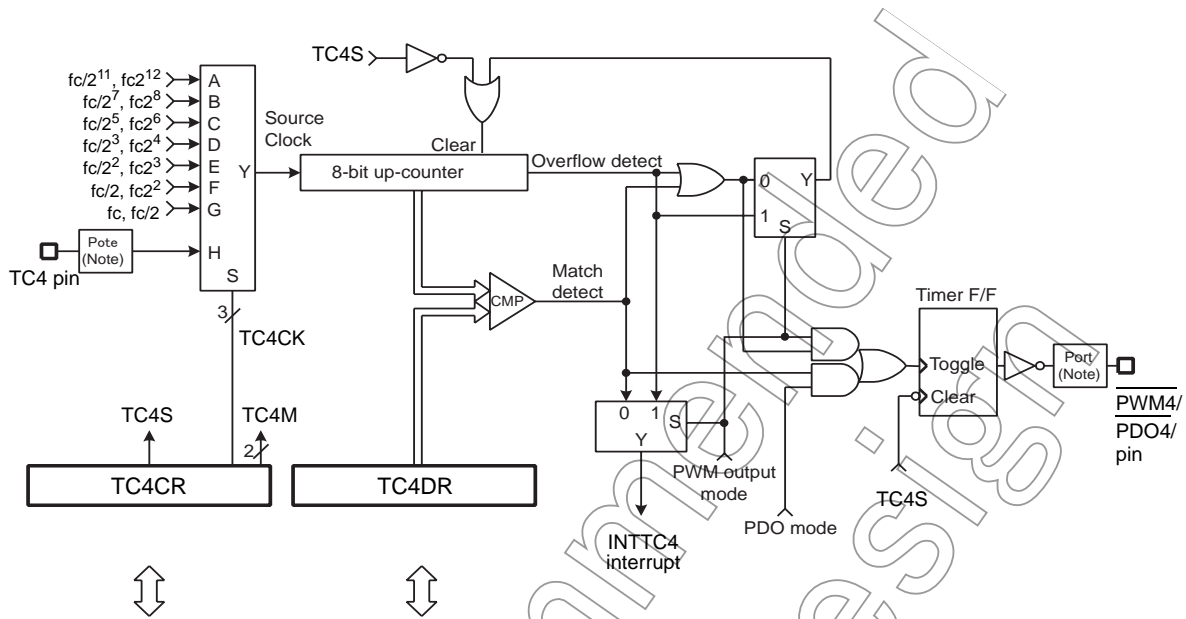


Figure 11-5 Capture Mode Timing Chart

## 12. 8-Bit TimerCounter 4 (TC4)

### 12.1 Configuration



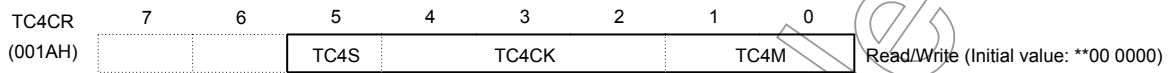
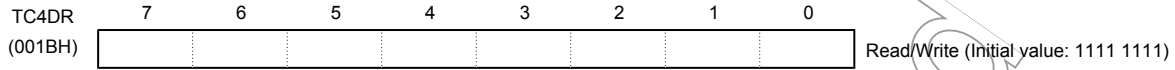
Note: Function I/O may not operate depending on I/O port setting. For more details, see the chapter "I/O Port".

Figure 12-1 TimerCounter 4 (TC4)

## 12.2 TimerCounter Control

The TimerCounter 4 is controlled by the TimerCounter 4 control register (TC4CR) and timer registers 4 (TC4DR).

### Timer Register and Control Register



TC4S	TC4 start control	0: Stop and counter clear 1: Start	R/W		
TC4CK	TC4 source clock select [Hz]	NORMAL, IDLE mode	R/W		
		DV1CK = 0		DV1CK = 1	
		000		$fc/2^{11}$	$fc/2^{12}$
		001		$fc/2^7$	$fc/2^8$
		010		$fc/2^5$	$fc/2^6$
		011		$fc/2^3$	$fc/2^4$
		100		$fc/2^2$	$fc/2^3$
		101		$fc/2^2$	$fc/2^2$
110	$(fc)^{Note8}$	$(fc/2)^{Note8}$			
111	External clock (TC4 pin input)				
TC4M	TC4 operating mode select	00: Timer/event counter mode 01: Reserved 10: Programmable divider output (PDO) mode 11: Pulse width modulation (PWM) output mode	R/W		

Note 1: fc: High-frequency clock [Hz], \*: Don't care

Note 2: To set the timer registers, the following relationship must be satisfied.

$$1 \leq TC4DR \leq 255$$

Note 3: To start timer operation (TC4CR<TC4S> = 0 → 1) or disable timer operation (TC4CR<TC4S> = 1 → 0), do not change the TC4CR<TC4M, TC4CK> setting. During timer operation (TC4CR<TC4S> = 1 → 1), do not change it, either. If the setting is programmed during timer operation, counting is not performed correctly.

Note 4: The event counter and PWM output modes are used only in the NOMAL and IDLE modes.

Note 5: When the STOP mode is entered, the start control (TC4S) is cleared to "0" automatically.

Note 6: The bit 6 and 7 of TC4CR are read as a don't care when these bits are read.

Note 7: In the timer, event counter and PDO modes, do not change the TC4DR setting when the timer is running.

Note 8: When the high-frequency clock fc exceeds 10 MHz, do not select the source clock of TC4CR< TC4CK> = 110.

Note 9: For available source clocks depending on the operation mode, refer to the following table.

		Timer Mode	Event Counter Mode	PDO Mode	PWM Mode
TC4CK	000	O	-	O	-
	001	O	-	O	-
	010	O	-	O	-
	011	O	-	-	O
	100	-	-	-	O
	101	-	-	-	O
	110	-	-	-	O
	111	-	O	-	x

Note: O : Available source clock



## 12.3 Function

TimerCounter 4 has four types of operating modes: timer, event counter, programmable divider output (PDO), and pulse width modulation (PWM) output modes.

### 12.3.1 Timer Mode

In the timer mode, the up-counter counts up using the internal clock. When a match between the up-counter and the TC4DR value is detected, an INTTC4 interrupt is generated and the up-counter is cleared. After being cleared, the up-counter restarts counting.

Table 12-1 Internal Source Clock for TimerCounter 4 (Example: fc = 20 MHz)

TC4CK	NORMAL, IDLE Mode			
	DV1CK = 0		DV1CK = 1	
	Resolution [μs]	Maximum Time Setting [ms]	Resolution [μs]	Maximum Time Setting [ms]
000	102.4	26.11	204.8	52.22
001	6.4	1.63	12.8	3.28
010	1.6	0.41	3.2	0.82
011	0.4	0.10	0.8	0.20

### 12.3.2 Event Counter Mode

In the event counter mode, the up-counter counts up at the rising edge of the input pulse to the TC4 pin.

When a match between the up-counter and the TC4DR value is detected, an INTTC4 interrupt is generated and the up-counter is cleared. After being cleared, the up-counter restarts counting at rising edge of the TC4 pin. Since a match is detected at the falling edge of the input pulse to the TC4 pin, the INTTC4 interrupt request is generated at the falling edge immediately after the up-counter reaches the value set in TC4DR.

The minimum pulse width applied to the TC4 pin are shown in Table 12-2. The pulse width larger than two machine cycles is required for high- and low-going pulses.

Note: The event counter mode can used in the NORMAL and IDLE modes only.

Table 12-2 External Source Clock for TimerCounter 4

	Minimum Pulse Width
	NORMAL, IDLE mode
High-going	$2^3/fc$
Low-going	$2^3/fc$

### 12.3.3 Programmable Divider Output (PDO) Mode

The programmable divider output (PDO) mode is used to generated a pulse with a 50% duty cycle by counting with the internal clock.

When a match between the up-counter and the TC4DR value is detected, the logic level output from the PDO4 pin is switched to the opposite state and INTTC4 interrupt request is generated. The up-counter is cleared at this time and then counting is continued. When a match between the up-counter and the TC4DR value is detected, the logic level output from the PDO4 pin is switched to the opposite state again and INTTC4 interrupt request is generated. The up-counter is cleared at this time, and then counting and PDO are continued.

When the timer is stopped, the  $\overline{\text{PDO4}}$  pin is high. Therefore, if the timer is stopped when the  $\overline{\text{PDO4}}$  pin is low, the duty pulse may be shorter than the programmed value.

Example : Generating 1024 Hz pulse ( $f_c = 20.0 \text{ MHz}$  and  $\text{CGCR}\langle\text{DV1CK}\rangle = 0$ )

LD	(TC4CR), 00000110B	: Sets the PDO mode. (TC4M = 10, TC4CK = 001)
SET	(P2DR), 2	: Sets the P22 output latch to 1.
LD	(TC4DR), 4CH	: $1/1024 \div 2^7/f_c \div 2$ (half cycle period) = 4CH
LD	(TC4CR), 00100110B	: Start TC4

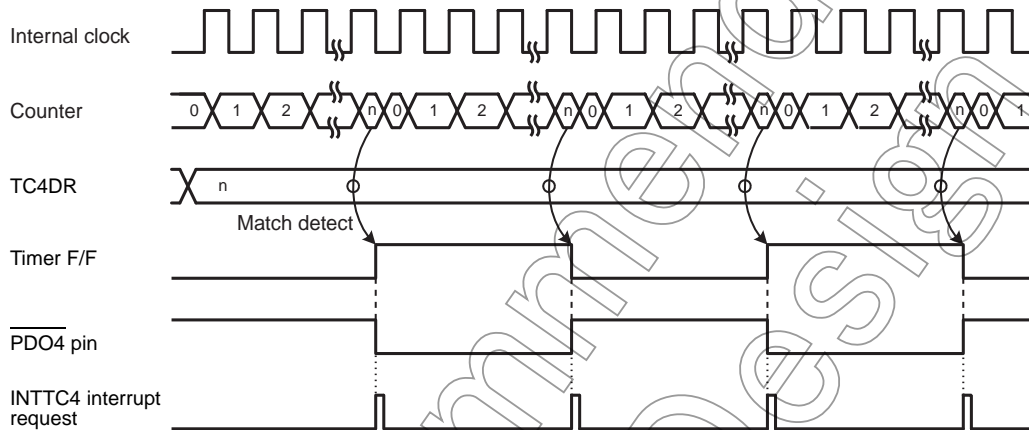


Figure 12-2 PDO Mode Timing Chart

### 12.3.4 Pulse Width Modulation (PWM) Output Mode

The pulse width modulation (PWM) output mode is used to generate the PWM pulse with up to 8 bits of resolution by an internal clock.

When a match between the up-counter and the TC4DR value is detected, the logic level output from the  $\overline{\text{PWM4}}$  pin becomes low. The up-counter continues counting. When the up-counter overflow occurs, the  $\overline{\text{PWM4}}$  pin becomes high. The INTTC4 interrupt request is generated at this time.

When the timer is stopped, the  $\overline{\text{PWM4}}$  pin is high. Therefore, if the timer is stopped when the  $\overline{\text{PWM4}}$  pin is low, one PWM cycle may be shorter than the programmed value.

TC4DR is serially connected to the shift register. If TC4DR is programmed during PWM output, the data set to TC4DR is not shifted until one PWM cycle is completed. Therefore, a pulse can be modulated periodically. For the first time, the data written to TC4DR is shifted when the timer is started by setting TC4CR<TC4S> to 1.

Note 1: The PWM output mode can be used only in the NORMAL and IDEL modes.

Note 2: In the PWM output mode, program TC4DR immediately after the INTTC4 interrupt request is generated (typically in the INTTC4 interrupt service routine.) When the programming of TC4DR and the INTTC4 interrupt occur at the same time, an unstable value is shifted, that may result in generation of pulse different from the programmed value until the next INTTC4 interrupt request is issued.

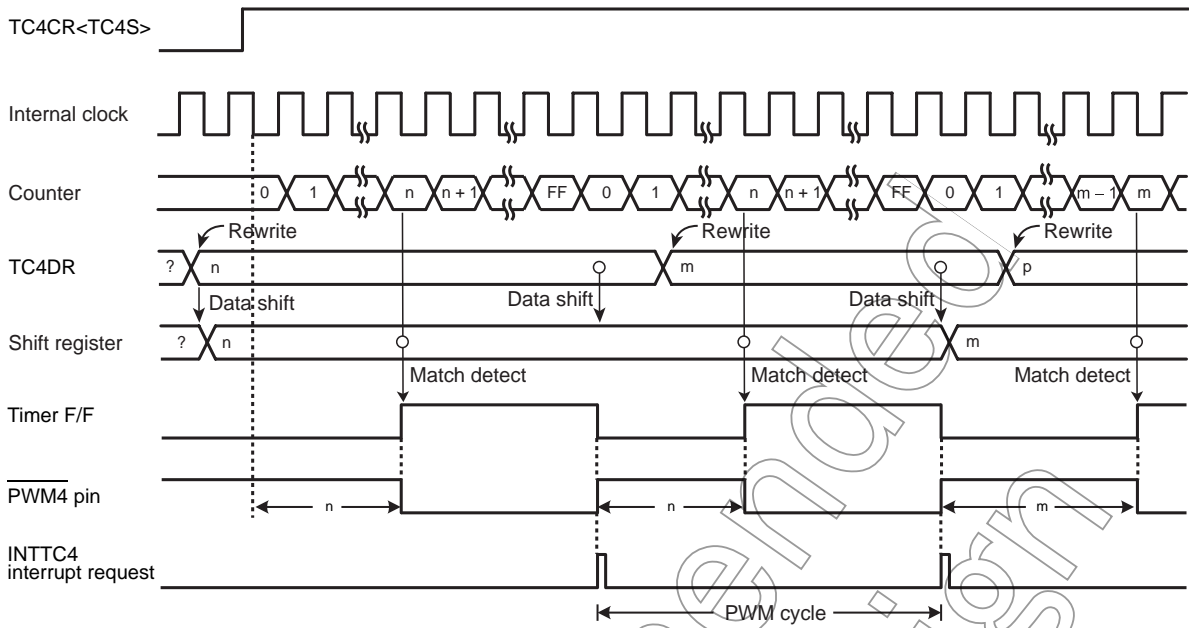


Figure 12-3 PWM output Mode Timing Chart (TC4)

Table 12-3 PWM Mode (Example:  $f_c = 20$  MHz)

TC4CK	NORMAL, IDLE Mode			
	DV1CK = 0		DV1CK = 1	
	Resolution [ns]	Cycle [ $\mu$ s]	Resolution [ns]	Cycle [ $\mu$ s]
000	-	-	-	-
001	-	-	-	-
010	-	-	-	-
011	400	102.4	800	204.8
100	200	51.2	400	102.4
101	100	25.6	200	51.2
110	-	-	-	-

Not Recommended  
for New Design

### 13. 8-Bit TimerCounter 5,6(TC5, 6)

#### 13.1 Configuration

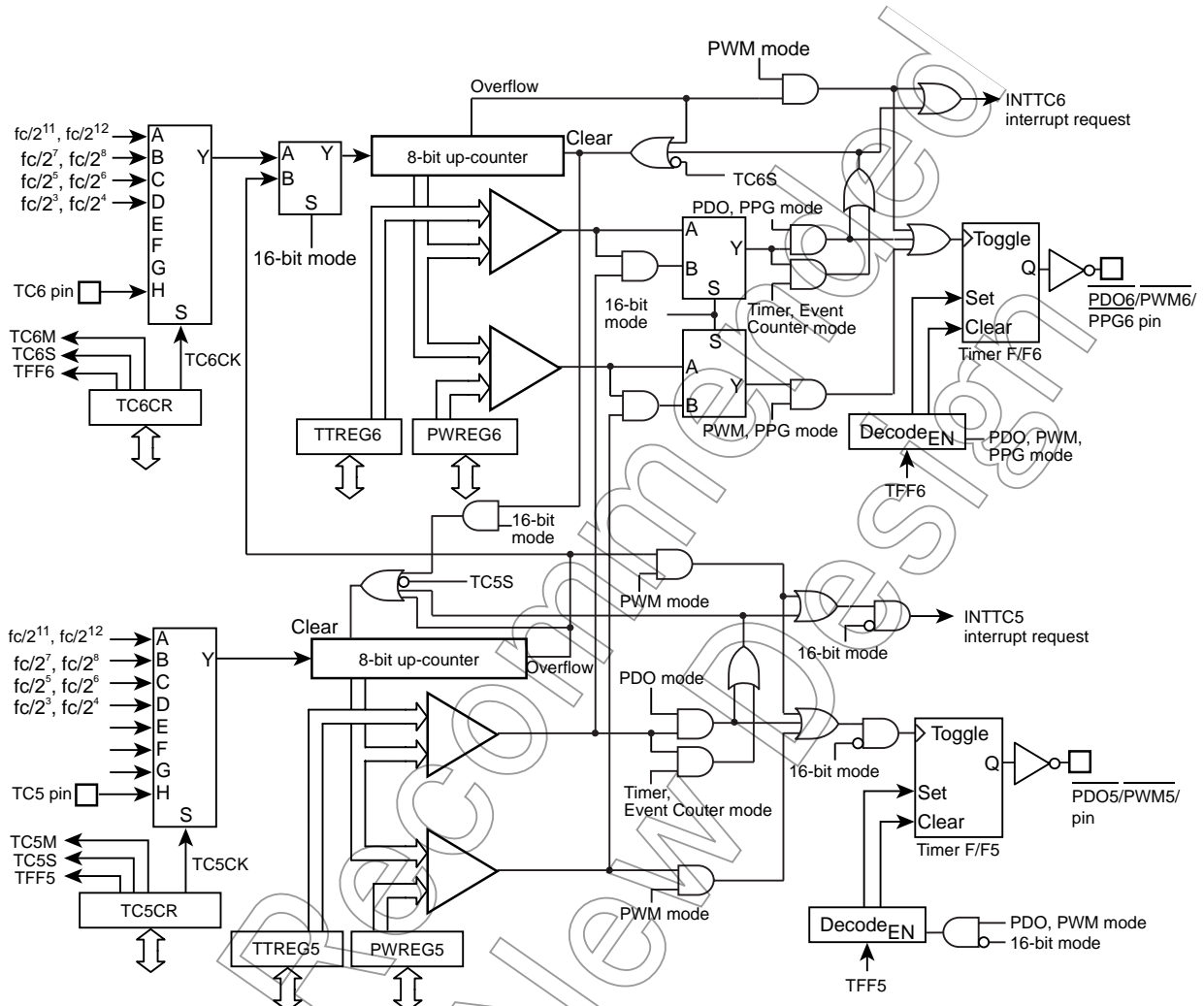


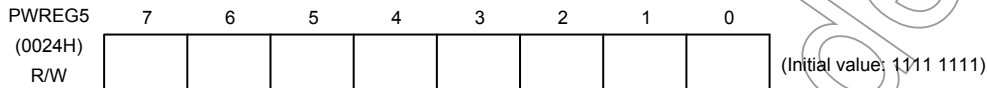
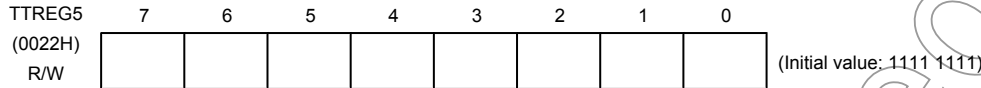
Figure 13-1 8-Bit TimerCounter 5, 6

Not for use

## 13.2 TimerCounter Control

The TimerCounter 5 is controlled by the TimerCounter 5 control register (TC5CR) and two 8-bit timer registers (TTREG5, PWREG5).

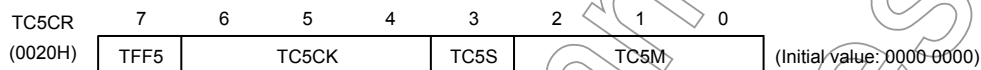
### TimerCounter 5 Timer Register



Note 1: Do not change the timer register (TTREG5) setting while the timer is running.

Note 2: Do not change the timer register (PWREG5) setting in the operating mode except the 8-bit and 16-bit PWM modes while the timer is running.

### TimerCounter 5 Control Register



TFF5	Time F/F5 control	0: Clear 1: Set			R/W
TC5CK	Operating clock selection [Hz]	NORMAL, IDLE mode			R/W
		DV1CK = 0		DV1CK = 1	
		000	$fc/2^{11}$	$fc/2^{12}$	
		001	$fc/2^7$	$fc/2^8$	
		010	$fc/2^5$	$fc/2^6$	
		011	$fc/2^3$	$fc/2^4$	
		100	-	-	
		101	-	-	
110	-	-			
111	TC5 pin input				
TC5S	TC5 start control	0: Operation stop and counter clear 1: Operation start			R/W
TC5M	TC5M operating mode select	000: 8-bit timer/event counter mode 001: 8-bit programmable divider output (PDO) mode 010: 8-bit pulse width modulation (PWM) output mode 011: 16-bit mode (Each mode is selectable with TC6M.) 1*: Reserved			R/W

Note 1: fc: High-frequency clock [Hz]

Note 2: Do not change the TC5M, TC5CK and TFF5 settings while the timer is running.

Note 3: To stop the timer operation (TC5S= 1 → 0), do not change the TC5M, TC5CK and TFF5 settings. To start the timer operation (TC5S= 0 → 1), TC5M, TC5CK and TFF5 can be programmed.

Note 4: To use the TimerCounter in the 16-bit mode, set the operating mode by programming TC6CR<TC6M>, where TC5M must be fixed to 011.

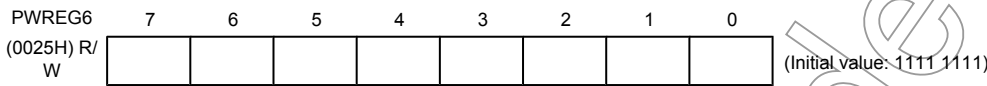
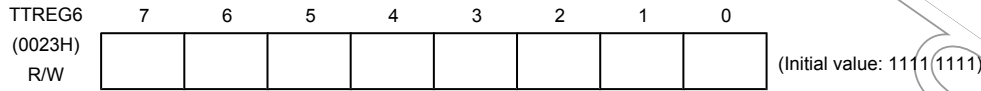
Note 5: To use the TimerCounter in the 16-bit mode, select the source clock by programming TC5CK. Set the timer start control and timer F/F control by programming TC6CR<TC6S> and TC6CR<TFF6>, respectively.

Note 6: The operating clock settings are limited depending on the timer operating mode. For the detailed descriptions, see Table 13-1.

Note 7: The timer register settings are limited depending on the timer operating mode. For the detailed descriptions, see Table 13-2.

The TimerCounter 6 is controlled by the TimerCounter 6 control register (TC6CR) and two 8-bit timer registers (TTREG6 and PWREG6).

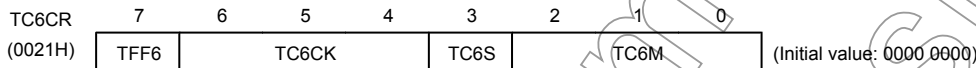
**TimerCounter 6 Timer Register**



Note 1: Do not change the timer register (TTREG6) setting while the timer is running.

Note 2: Do not change the timer register (PWREG6) setting in the operating mode except the 8-bit and 16-bit PWM modes while the timer is running.

**TimerCounter 6 Control Register**



TFF6	Timer F/F6 control	0: Clear 1: Set	R/W	
TC6CK	Operating clock selection [Hz]	NORMAL, IDLE mode		
		DV1CK = 0		
		DV1CK = 1		
		000	fc/2 <sup>11</sup>	fc/2 <sup>12</sup>
		001	fc/2 <sup>7</sup>	fc/2 <sup>8</sup>
		010	fc/2 <sup>5</sup>	fc/2 <sup>5</sup>
		011	fc/2 <sup>3</sup>	fc/2 <sup>3</sup>
		100	-	-
101	-	-		
110	-	-		
111	TC6 pin input		R/W	
TC6S	TC6 start control	0: Operation stop and counter clear 1: Operation start	R/W	
TC6M	TC6M operating mode select	000: 8-bit timer/event counter mode 001: 8-bit programmable divider output (PDO) mode 010: 8-bit pulse width modulation (PWM) output mode 011: Reserved 100: 16-bit timer/event counter mode 101: Warm-up counter mode 110: 16-bit pulse width modulation (PWM) output mode 111: 16-bit PPG mode	R/W	

Note 1: fc: High-frequency clock [Hz]

Note 2: Do not change the TC6M, TC6CK and TFF6 settings while the timer is running.

Note 3: To stop the timer operation (TC6S= 1 → 0), do not change the TC6M, TC6CK and TFF6 settings.

To start the timer operation (TC6S= 0 → 1), TC6M, TC6CK and TFF6 can be programmed.

Note 4: When TC6M= 1\*\* (upper byte in the 16-bit mode), the source clock becomes the TC6 overflow signal regardless of the TC5CK setting.

Note 5: To use the TimerCounter in the 16-bit mode, select the operating mode by programming TC6M, where TC5CR<TC5M> must be set to 011.

Note 6: To the TimerCounter in the 16-bit mode, select the source clock by programming TC5CR<TC5CK>. Set the timer start control and timer F/F control by programming TC6S and TFF6, respectively.

Note 7: The operating clock settings are limited depending on the timer operating mode. For the detailed descriptions, see Table 13-1.

Note 8: The timer register settings are limited depending on the timer operating mode. For the detailed descriptions, see Table 13-2.

Table 13-1 Operating Mode and Selectable Source Clock (NORMAL and IDLE Modes)

Operating mode	fc/2 <sup>11</sup>	fc/2 <sup>7</sup>	fc/2 <sup>5</sup>	fc/2 <sup>3</sup>	TC5 pin input	TC6 pin input
8-bit timer	O	O	O	O	-	-
8-bit event counter	-	-	-	-	O	O
8-bit PDO	O	O	O	O	-	-
8-bit PWM	O	O	O	O	-	-
16-bit timer	O	O	O	O	-	-
16-bit event counter	-	-	-	-	O	-
16-bit PWM	O	O	O	O	O	-
16-bit PPG	O	O	O	O	O	-

Note 1: For 16-bit operations (16-bit timer/event counter, warm-up counter, 16-bit PWM and 16-bit PPG), set its source clock on lower bit (TC5CK).

Note 2: O : Available source clock

Table 13-2 Constraints on Register Values Being Compared

Operating mode	Register Value
8-bit timer/event counter	$1 \leq (TTREGn) \leq 255$
8-bit PDO	$1 \leq (TTREGn) \leq 255$
8-bit PWM	$2 \leq (PWREGn) \leq 254$
16-bit timer/event counter	$1 \leq (TTREG6, 5) \leq 65535$
16-bit PWM	$2 \leq (PWREG6, 5) \leq 65534$
16-bit PPG	$1 \leq (PWREG6, 5) < (TTREG6, 5) \leq 65535$ and $(PWREG6, 5) + 1 \leq (TTREG6, 5)$

Note: n = 5 to 6



### 13.3 Function

The TimerCounter 5 and 6 have the 8-bit timer, 8-bit event counter, 8-bit programmable divider output (PDO), 8-bit pulse width modulation (PWM) output modes. The TimerCounter 5 and 6 (TC5, 6) are cascadable to form a 16-bit timer. The 16-bit timer has the operating modes such as the 16-bit timer, 16-bit event counter, 16-bit pulse width modulation (PWM) output and 16-bit programmable pulse generation (PPG) modes.

#### 13.3.1 8-Bit Timer Mode (TC5 and 6)

In the timer mode, the up-counter counts up using the internal clock. When a match between the up-counter and the timer register  $j$  (TTREG $j$ ) value is detected, an INTTC $j$  interrupt is generated and the up-counter is cleared. After being cleared, the up-counter restarts counting.

Note 1: In the timer mode, fix TCjCR<TFFj> to 0. If not fixed, the PDO $j$ , PWM $j$  and PPG $j$  pins may output pulses.

Note 2: In the timer mode, do not change the TTREG $j$  setting while the timer is running. Since TTREG $j$  is not in the shift register configuration in the timer mode, the new value programmed in TTREG $j$  is in effect immediately after the programming. Therefore, if TTREG $i$  is changed while the timer is running, an expected operation may not be obtained.

Note 3:  $j = 5, 6$

Table 13-3 Source Clock for TimerCounter 5, 6 (Internal Clock)

Source Clock		Resolution	Repeated Cycle
NORMAL, IDLE mode		DV1CK = 0	DV1CK = 0
DV1CK = 0	DV1CK = 1	$f_c = 20 \text{ MHz}$	$f_c = 20 \text{ MHz}$
$f_c/2^{11}$ [Hz]	$f_c/2^{12}$ [Hz]	128 $\mu\text{s}$	32.6 ms
$f_c/2^7$	$f_c/2^8$	8 $\mu\text{s}$	2.0 ms
$f_c/2^5$	$f_c/2^6$	2 $\mu\text{s}$	510 $\mu\text{s}$
$f_c/2^3$	$f_c/2^4$	500 ns	127.5 $\mu\text{s}$

Example :Setting the timer mode with source clock  $f_c/2^7$  Hz and generating an interrupt 64  $\mu\text{s}$  later (TimerCounter6,  $f_c = 20.0 \text{ MHz}$ )

```
LD (TTREG6), 0AH : Sets the timer register ( $80 \mu\text{s} \div 2^7/f_c = 0AH$ ).
DI
SET (EIRC). EF37 : Enables INTTC6 interrupt.
EI
LD (TC6CR), 0001000B : Sets the operating clock to  $f_c/2^7$ , and 8-bit timer mode.
LD (TC6CR), 00011000B : Starts TC6.
```

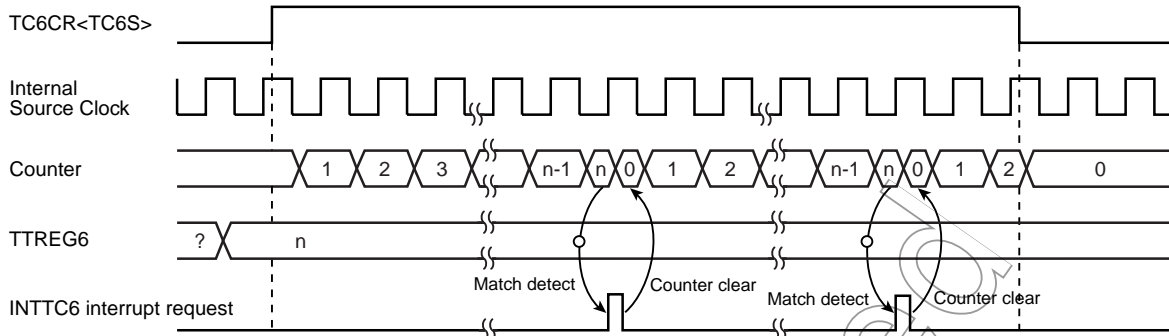


Figure 13-2 8-Bit Timer Mode Timing Chart (TC6)

### 13.3.2 8-Bit Event Counter Mode (TC5, 6)

In the 8-bit event counter mode, the up-counter counts up at the falling edge of the input pulse to the TCj pin. When a match between the up-counter and the TTRREGj value is detected, an INTTCj interrupt is generated and the up-counter is cleared. After being cleared, the up-counter restarts counting at the falling edge of the input pulse to the TCj pin. Two machine cycles are required for the low- or high-level pulse input to the TCj pin. Therefore, a maximum frequency to be supplied is  $f_c/2^4$  Hz in the NORMAL or IDLE mode.

Note 1: In the event counter mode, fix TCjCR<TFFj> to 0. If not fixed, the  $\overline{PDOj}$ , PWMj and PPGj pins may output pulses.

Note 2: In the event counter mode, do not change the TTRREGj setting while the timer is running. Since TTRREGj is not in the shift register configuration in the event counter mode, the new value programmed in TTRREGj is in effect immediately after the programming. Therefore, if TTRREGj is changed while the timer is running, an expected operation may not be obtained.

Note 3: j = 5, 6

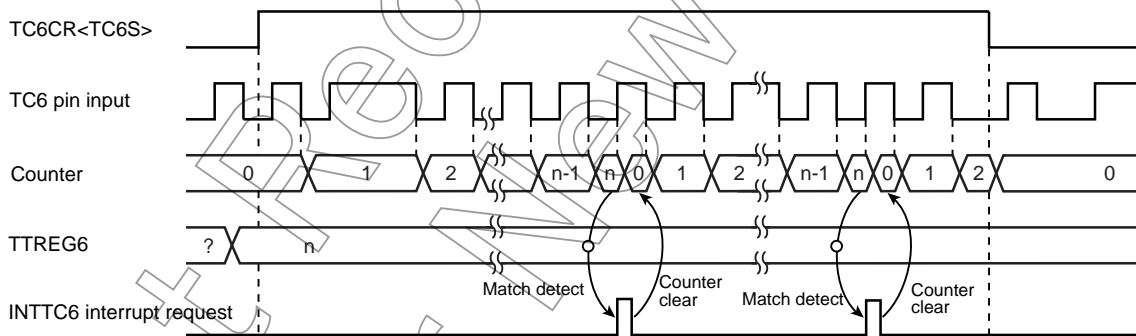


Figure 13-3 8-Bit Event Counter Mode Timing Chart (TC6)

### 13.3.3 8-Bit Programmable Divider Output (PDO) Mode (TC5, 6)

This mode is used to generate a pulse with a 50% duty cycle from the  $\overline{PDOj}$  pin.

In the PDO mode, the up-counter counts up using the internal clock. When a match between the up-counter and the TTRREGj value is detected, the logic level output from the  $\overline{PDOj}$  pin is switched to the opposite state and the up-counter is cleared. The INTTCj interrupt request is generated at the time. The logic state opposite to the timer F/Fj logic level is output from the  $\overline{PDOj}$  pin. An arbitrary value can be set to the timer F/Fj by TCjCR<TFFj>. Upon reset, the timer F/Fj value is initialized to 0.

To use the programmable divider output, set the output latch of the I/O port to 1.

Example :Generating 1024 Hz pulse using TC6 ( $f_c = 20.0$  MHz)

	Setting port	
LD	(TTREG6), 3DH	: $1/1024 \div 2^7/f_c + 2 = 3DH$
LD	(TC6CR), 00010001B	: Sets the operating clock to $f_c/2^7$ , and 8-bit PDO mode.
LD	(TC6CR), 00011001B	: Starts TC6.

Note 1: In the programmable divider output mode, do not change the TTREGj setting while the timer is running. Since TTREGj is not in the shift register configuration in the programmable divider output mode, the new value programmed in TTREGj is in effect immediately after programming. Therefore, if TTREGi is changed while the timer is running, an expected operation may not be obtained.

Note 2: When the timer is stopped during PDO output, the  $\overline{PDOj}$  pin holds the output status when the timer is stopped. To change the output status, program TCjCR<TFFj> after the timer is stopped. Do not change the TCjCR<TFFj> setting upon stopping of the timer.

Example: Fixing the  $\overline{PDOj}$  pin to the high level when the TimerCounter is stopped

CLR (TCjCR).3: Stops the timer.

CLR (TCjCR).7: Sets the  $\overline{PDOj}$  pin to the high level.

Note 3: j = 5, 6

Not Recommended for New Design

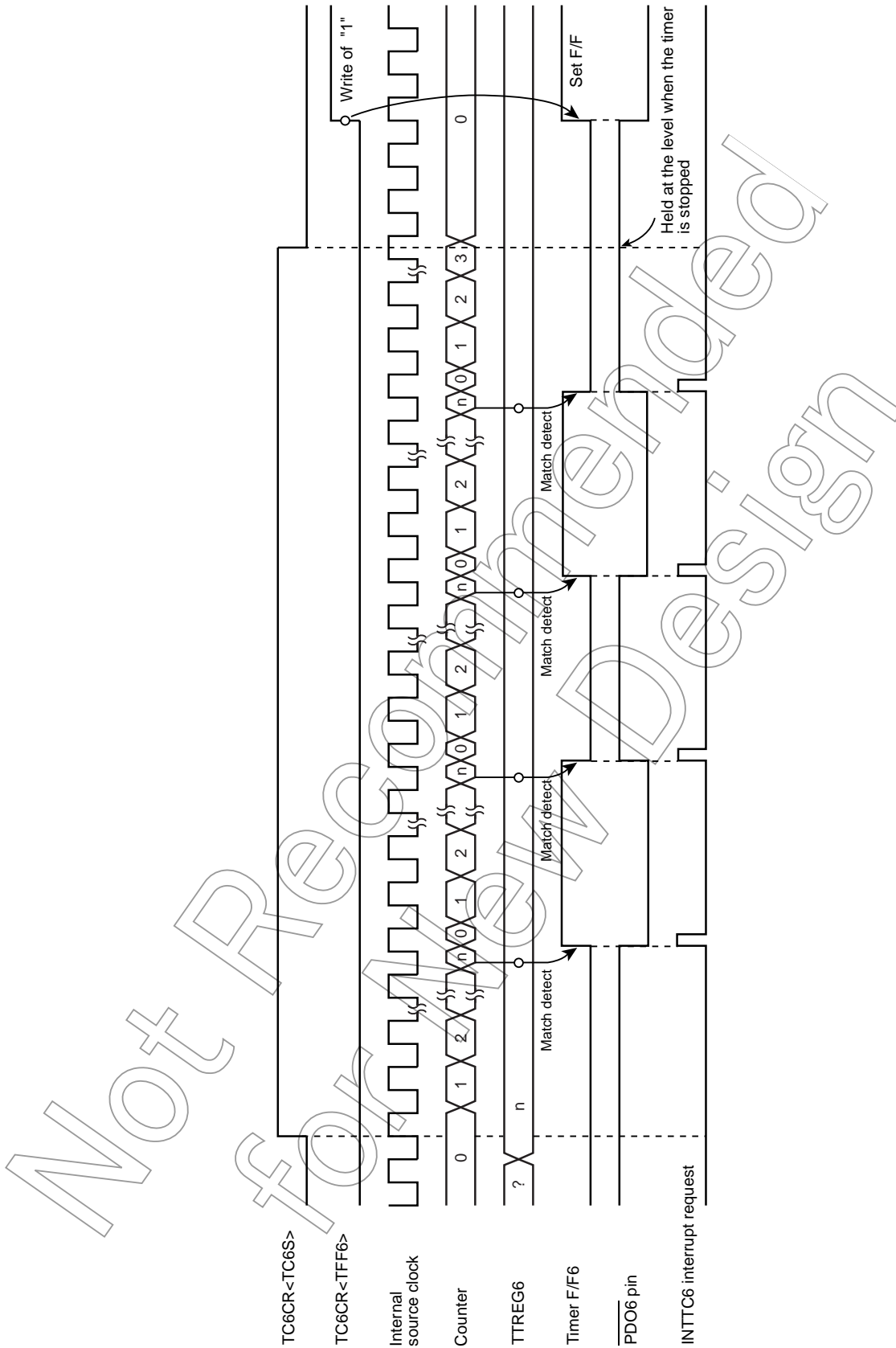


Figure 13-4 8-Bit PDO Mode Timing Chart (TC6)

### 13.3.4 8-Bit Pulse Width Modulation (PWM) Output Mode (TC5, 6)

This mode is used to generate a pulse-width modulated (PWM) signals with up to 8 bits of resolution. The up-counter counts up using the internal clock.

When a match between the up-counter and the PWREGj value is detected, the logic level output from the timer F/Fj is switched to the opposite state. The counter continues counting. The logic level output from the timer F/Fj is switched to the opposite state again by the up-counter overflow, and the counter is cleared. The INTTCj interrupt request is generated at this time.

Since the initial value can be set to the timer F/Fj by TCjCR<TFFj>, positive and negative pulses can be generated. Upon reset, the timer F/Fj is cleared to 0.

(The logic level output from the PWMj pin is the opposite to the timer F/Fj logic level.)

Since PWREGj in the PWM mode is serially connected to the shift register, the value set to PWREGj can be changed while the timer is running. The value set to PWREGj during a run of the timer is shifted by the INTTCj interrupt request and loaded into PWREGj. While the timer is stopped, the value is shifted immediately after the programming of PWREGj. If executing the read instruction to PWREGj during PWM output, the value in the shift register is read, but not the value set in PWREGj. Therefore, after writing to PWREGj, the reading data of PWREGj is previous value until INTTCj is generated.

For the pin used for PWM output, the output latch of the I/O port must be set to 1.

Note 1: In the PWM mode, program the timer register PWREGj immediately after the INTTCj interrupt request is generated (normally in the INTTCj interrupt service routine.) If the programming of PWREGj and the interrupt request occur at the same time, an unstable value is shifted, that may result in generation of the pulse different from the programmed value until the next INTTCj interrupt request is generated.

Note 2: When the timer is stopped during PWM output, the PWMj pin holds the output status when the timer is stopped. To change the output status, program TCjCR<TFFj> after the timer is stopped. Do not change the TCjCR<TFFj> upon stopping of the timer.

Example: Fixing the PWMj pin to the high level when the TimerCounter is stopped

CLR (TCjCR).3: Stops the timer.

CLR (TCjCR).7: Sets the PWMj pin to the high level.

Note 3: To enter the STOP mode during PWM output, stop the timer and then enter the STOP mode. If the STOP mode is entered without stopping the timer when fc or fc/2 is selected as the source clock, a pulse is output from the PWMj pin during the warm-up period time after exiting the STOP mode.

Note 4: j = 5, 6

Table 13-4 PWM Output Mode

Source Clock		Resolution		Repeated Cycle	
NORMAL, IDLE mode		DV1CK = 0	DV1CK = 1	DV1CK = 0	DV1CK = 1
DV1CK = 0	DV1CK = 1	fc = 20 MHz	fc = 20 MHz	fc = 20 MHz	fc = 20 MHz
fc/2 <sup>11</sup> [Hz]	fc/2 <sup>12</sup> [Hz]	102.4 μs	204.8 μs	26.21 ms	52.43 ms
fc/2 <sup>7</sup>	fc/2 <sup>8</sup>	6.4 μs	12.8 μs	1.64 ms	3.28 ms
fc/2 <sup>5</sup>	fc/2 <sup>6</sup>	1.6 μs	3.2 μs	410 μs	819 μs
fc/2 <sup>3</sup>	fc/2 <sup>4</sup>	0.4 μs	0.8 μs	102 μs	205 μs

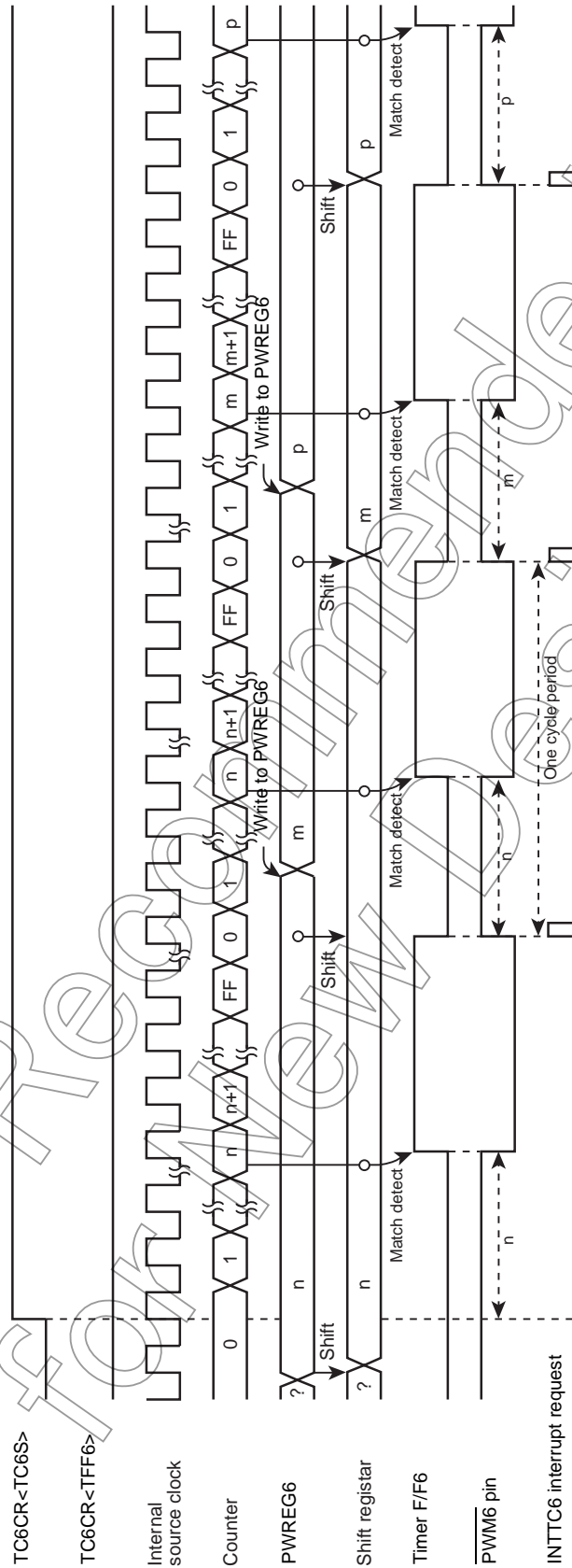


Figure 13-5 8-Bit PWM Mode Timing Chart (TC6)

### 13.3.5 16-Bit Timer Mode (TC5 and 6)

In the timer mode, the up-counter counts up using the internal clock. The TimerCounter 5 and 6 are cascadable to form a 16-bit timer.

When a match between the up-counter and the timer register (TTREG5, TTREG6) value is detected after the timer is started by setting TC6CR<TC6S> to 1, an INTTC6 interrupt is generated and the up-counter is cleared. After being cleared, the up-counter continues counting. Program the lower byte and upper byte in this order in the timer register. (Programming only the upper or lower byte should not be attempted.)

Note 1: In the timer mode, fix TCjCR<TFFj> to 0. If not fixed, the  $\overline{\text{PDO}}_j$ ,  $\overline{\text{PWM}}_j$ , and  $\overline{\text{PPG}}_j$  pins may output a pulse.

Note 2: In the timer mode, do not change the TTREGj setting while the timer is running. Since TTREGj is not in the shift register configuration in the timer mode, the new value programmed in TTREGj is in effect immediately after programming of TTREGj. Therefore, if TTREGj is changed while the timer is running, an expected operation may not be obtained.

Note 3: j = 5, 6

Table 13-5 Source Clock for 16-Bit Timer Mode

Source Clock		Resolution		Maximum Time Setting	
NORMAL, IDLE mode		DV1CK = 0	DV1CK = 1	DV1CK = 0	DV1CK = 1
DV1CK = 0	DV1CK = 1	fc = 20 MHz	fc = 20 MHz	fc = 20 MHz	fc = 20 MHz
fc/2 <sup>11</sup>	fc/2 <sup>12</sup>	102.4 μs	204.8 μs	6.7 s	13.4 s
fc/2 <sup>7</sup>	fc/2 <sup>8</sup>	6.4 μs	12.8 μs	419.4 ms	838.8 ms
fc/2 <sup>5</sup>	fc/2 <sup>6</sup>	1.6 μs	3.2 μs	104.9 μs	209.7 ms
fc/2 <sup>3</sup>	fc/2 <sup>4</sup>	0.4 μs	0.8 μs	26.2 μs	52.4 ms

Example :Setting the timer mode with source clock  $fc/2^7$  [Hz], and generating an interrupt 240 ms later (fc = 20.0 MHz)

- LDW (TTREG5), 927CH : Sets the timer register (300 ms + 2<sup>7</sup>/fc = 927CH).
- DI
- SET (EIRD), EF28 : Enables INTTC6 interrupt.
- EI
- LD (TC5CR), 13H : Sets the operating clock to  $fc/2^7$ , and 16-bit timer mode (lower byte).
- LD (TC6CR), 04H : Sets the 16-bit timer mode (upper byte).
- LD (TC6CR), 0CH : Starts the timer.

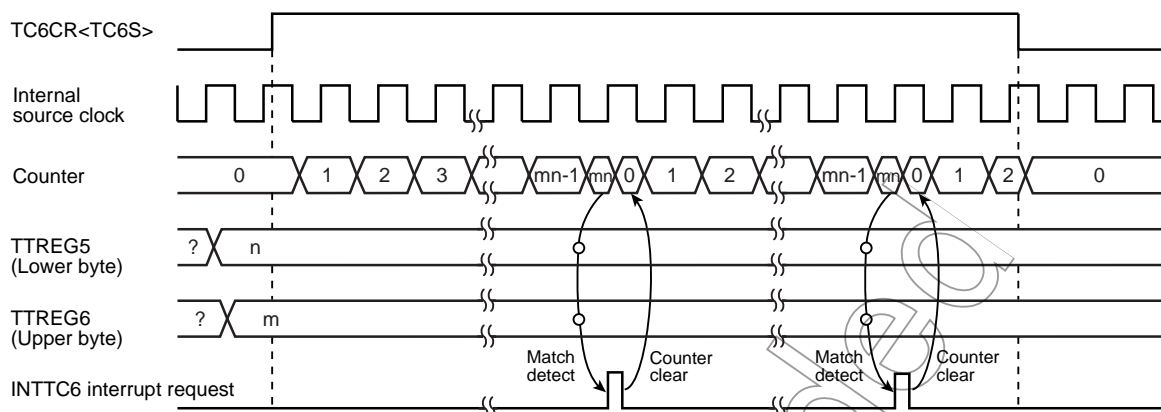


Figure 13-6 16-Bit Timer Mode Timing Chart (TC5 and TC6)

### 13.3.6 16-Bit Event Counter Mode (TC5 and 6)

In the event counter mode, the up-counter counts up at the falling edge to the TC5 pin. The TimerCounter 5 and 6 are cascadable to form a 16-bit event counter.

When a match between the up-counter and the timer register (TTREG5, TTREG6) value is detected after the timer is started by setting TC6CR<TC6S> to 1, an INTTC6 interrupt is generated and the up-counter is cleared.

After being cleared, the up-counter restarts counting at the falling edge of the input pulse to the TC5 pin. Two machine cycles are required for the low- or high-level pulse input to the TC5 pin.

Therefore, a maximum frequency to be supplied is  $f_c/2^4$  Hz in the NORMAL or IDLE mode. Program the lower byte (TTREG5), and upper byte (TTREG6) in this order in the timer register. (Programming only the upper or lower byte should not be attempted.)

Note 1: In the event counter mode, fix TCjCR<TFFj> to 0. If not fixed, the  $\overline{PDOj}$ ,  $\overline{PWMj}$  and  $\overline{PPGj}$  pins may output pulses.

Note 2: In the event counter mode, do not change the TTREGj setting while the timer is running. Since TTREGj is not in the shift register configuration in the event counter mode, the new value programmed in TTREGj is in effect immediately after the programming. Therefore, if TTREGj is changed while the timer is running, an expected operation may not be obtained.

Note 3: j = 5, 6

### 13.3.7 16-Bit Pulse Width Modulation (PWM) Output Mode (TC5 and 6)

This mode is used to generate a pulse-width modulated (PWM) signals with up to 16 bits of resolution. The TimerCounter 5 and 6 are cascadable to form the 16-bit PWM signal generator.

The counter counts up using the internal clock or external clock.

When a match between the up-counter and the timer register (PWREG5, PWREG6) value is detected, the logic level output from the timer F/F6 is switched to the opposite state. The counter continues counting. The logic level output from the timer F/F6 is switched to the opposite state again by the counter overflow, and the counter is cleared. The INTTC6 interrupt is generated at this time.

Two machine cycles are required for the high- or low-level pulse input to the TC5 pin. Therefore, a maximum frequency to be supplied is  $f_c/2^4$  Hz in the NORMAL1 or IDLE1 mode.

Since the initial value can be set to the timer F/F6 by TC6CR<TFF6>, positive and negative pulses can be generated. Upon reset, the timer F/F6 is cleared to 0.

(The logic level output from the  $\overline{PWM6}$  pin is the opposite to the timer F/F6 logic level.)

Since PWREG6 and 5 in the PWM mode are serially connected to the shift register, the values set to PWREG6 and 5 can be changed while the timer is running. The values set to PWREG6 and 5 during a run of the timer are



shifted by the INTTCj interrupt request and loaded into PWREG6 and 5. While the timer is stopped, the values are shifted immediately after the programming of PWREG6 and 5. Set the lower byte (PWREG5) and upper byte (PWREG6) in this order to program PWREG6 and 5. (Programming only the lower or upper byte of the register should not be attempted.)

If executing the read instruction to PWREG6 and 5 during PWM output, the values set in the shift register is read, but not the values set in PWREG6 and 5. Therefore, after writing to the PWREG6 and 5, reading data of PWREG6 and 5 is previous value until INTTC6 is generated.

For the pin used for PWM output, the output latch of the I/O port must be set to 1.

Note 1: In the PWM mode, program the timer register PWREG6 and 5 immediately after the INTTC6 interrupt request is generated (normally in the INTTC6 interrupt service routine.) If the programming of PWREGj and the interrupt request occur at the same time, an unstable value is shifted, that may result in generation of pulse different from the programmed value until the next INTTC6 interrupt request is generated.

Note 2: When the timer is stopped during PWM output, the PWM6 pin holds the output status when the timer is stopped. To change the output status, program TC6CR<TFF6> after the timer is stopped. Do not program TC6CR<TFF6> upon stopping of the timer.

Example: Fixing the PWM6 pin to the high level when the TimerCounter is stopped

CLR (TC6CR).3: Stops the timer.

CLR (TC6CR).7 : Sets the PWM6 pin to the high level.

Note 3: To enter the STOP mode, stop the timer and then enter the STOP mode. If the STOP mode is entered without stopping of the timer when fc or fc/2 is selected as the source clock, a pulse is output from the PWM6 pin during the warm-up period time after exiting the STOP mode.

Table 13-6 16-Bit PWM Output Mode

Source Clock		Resolution		Repeated Cycle	
NORMAL, IDLE mode		DV1CK = 0	DV1CK = 1	DV1CK = 0	DV1CK = 1
DV1CK = 0	DV1CK = 1	fc = 20 MHz	fc = 20 MHz	fc = 20 MHz	fc = 20 MHz
fc/2 <sup>11</sup> [Hz]	fc/2 <sup>12</sup> [Hz]	102.4 μs	204.8 μs	6.7 s	13.4 s
fc/2 <sup>7</sup>	fc/2 <sup>8</sup>	6.4 μs	12.8 μs	419.4 ms	838.8 ms
fc/2 <sup>5</sup>	fc/2 <sup>6</sup>	1.6 μs	3.2 μs	104.9 ms	209.7 ms
fc/2 <sup>3</sup>	fc/2 <sup>4</sup>	0.4 μs	0.8 μs	26.2 ms	52.4 ms

Example :Generating a pulse with 1-ms high-level width and a period of 32.768 ms (fc = 20.0 MHz)

Setting ports

- LDW (PWREG5), 07D0H : Sets the pulse width.
- LD (TC5CR), 33H : Sets the operating clock to fc/2<sup>3</sup>, and 16-bit PWM output mode (lower byte).
- LD (TC6CR), 056H : Sets TFF6 to the initial value 0, and 16-bit PWM signal generation mode (upper byte).
- LD (TC6CR), 05EH : Starts the timer.

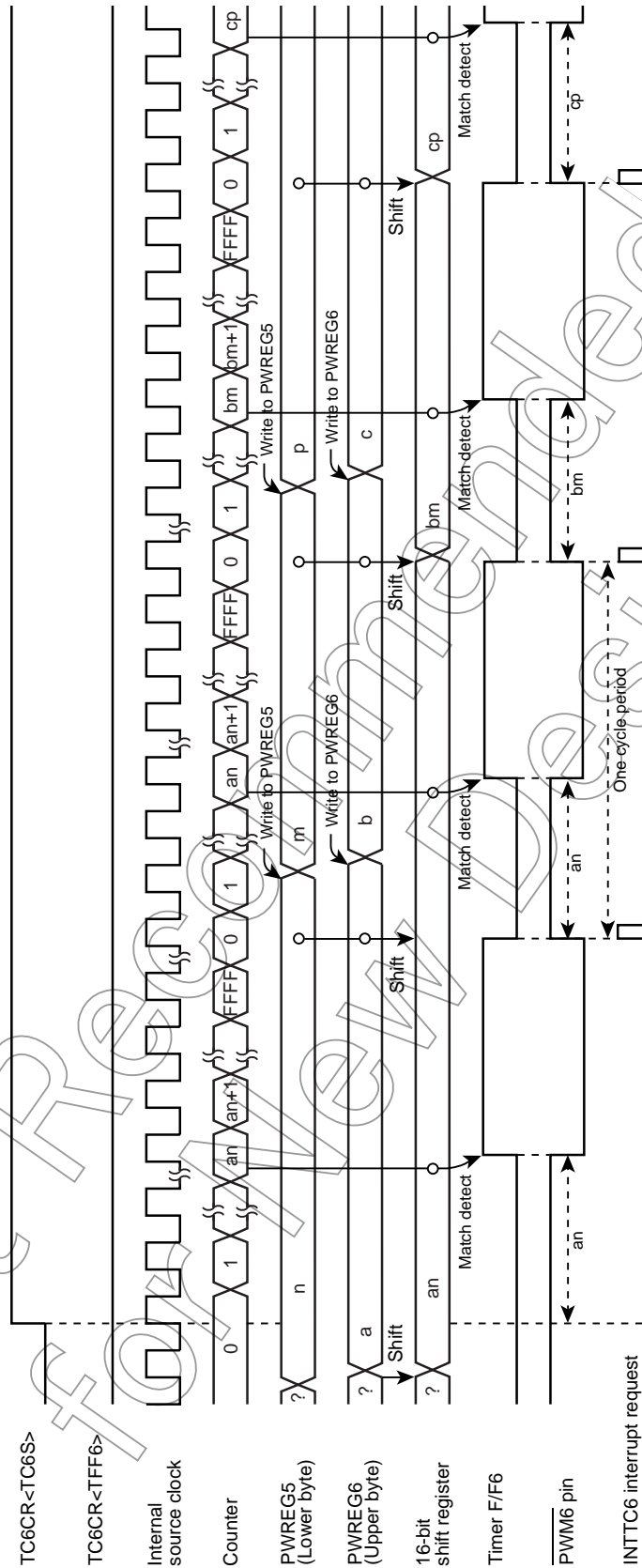


Figure 13-7 16-Bit PWM Mode Timing Chart (TC5 and TC6)

### 13.3.8 16-Bit Programmable Pulse Generate (PPG) Output Mode (TC5 and 6)

This mode is used to generate pulses with up to 16-bits of resolution. The timer counter 5 and 6 are cascaded to enter the 16-bit PPG mode.

The counter counts up using the internal clock or external clock. When a match between the up-counter and the timer register (PWREG5, PWREG6) value is detected, the logic level output from the timer F/F6 is switched to the opposite state. The counter continues counting. The logic level output from the timer F/F6 is switched to the opposite state again when a match between the up-counter and the timer register (TTREG5, TTREG6) value is detected, and the counter is cleared. The INTTC6 interrupt is generated at this time.

Since the initial value can be set to the timer F/F6 by TC6CR<TFF6>, positive and negative pulses can be generated. Upon reset, the timer F/F6 is cleared to 0.

(The logic level output from the PPG6 pin is the opposite to the timer F/F6.)

Set the lower byte and upper byte in this order to program the timer register. (TTREG5 → TTREG6, PWREG5 → PWREG6) (Programming only the upper or lower byte should not be attempted.)

For PPG output, set the output latch of the I/O port to 1.

Example : Generating a pulse with 1-ms high-level width and a period of 16.385 ms ( $f_c = 20.0$  MHz)

Setting ports		
LDW	(PWREG5), 07D0H	: Sets the pulse width.
LDW	(TTREG5), 8002H	: Sets the cycle period.
LD	(TC5CR), 33H	: Sets the operating clock to $f_c/2^3$ , and 16-bit PPG mode (lower byte).
LD	(TC6CR), 057H	: Sets TFF6 to the initial value 0, and 16-bit PPG mode (upper byte).
LD	(TC6CR), 05FH	: Starts the timer.

Note 1: In the PPG mode, do not change the PWREGi and TTREGi settings while the timer is running. Since PWREGi and TTREGi are not in the shift register configuration in the PPG mode, the new values programmed in PWREGi and TTREGi are in effect immediately after programming PWREGi and TTREGi. Therefore, if PWREGi and TTREGi are changed while the timer is running, an expected operation may not be obtained.

Note 2: When the timer is stopped during PPG output, the PPG6 pin holds the output status when the timer is stopped. To change the output status, program TC6CR<TFF6> after the timer is stopped. Do not change TC6CR<TFF6> upon stopping of the timer.

Example: Fixing the PPG6 pin to the high level when the TimerCounter is stopped

CLR (TC6CR).3: Stops the timer

CLR (TC6CR).7: Sets the PPG6 pin to the high level

Note 3:  $i = 5, 6$

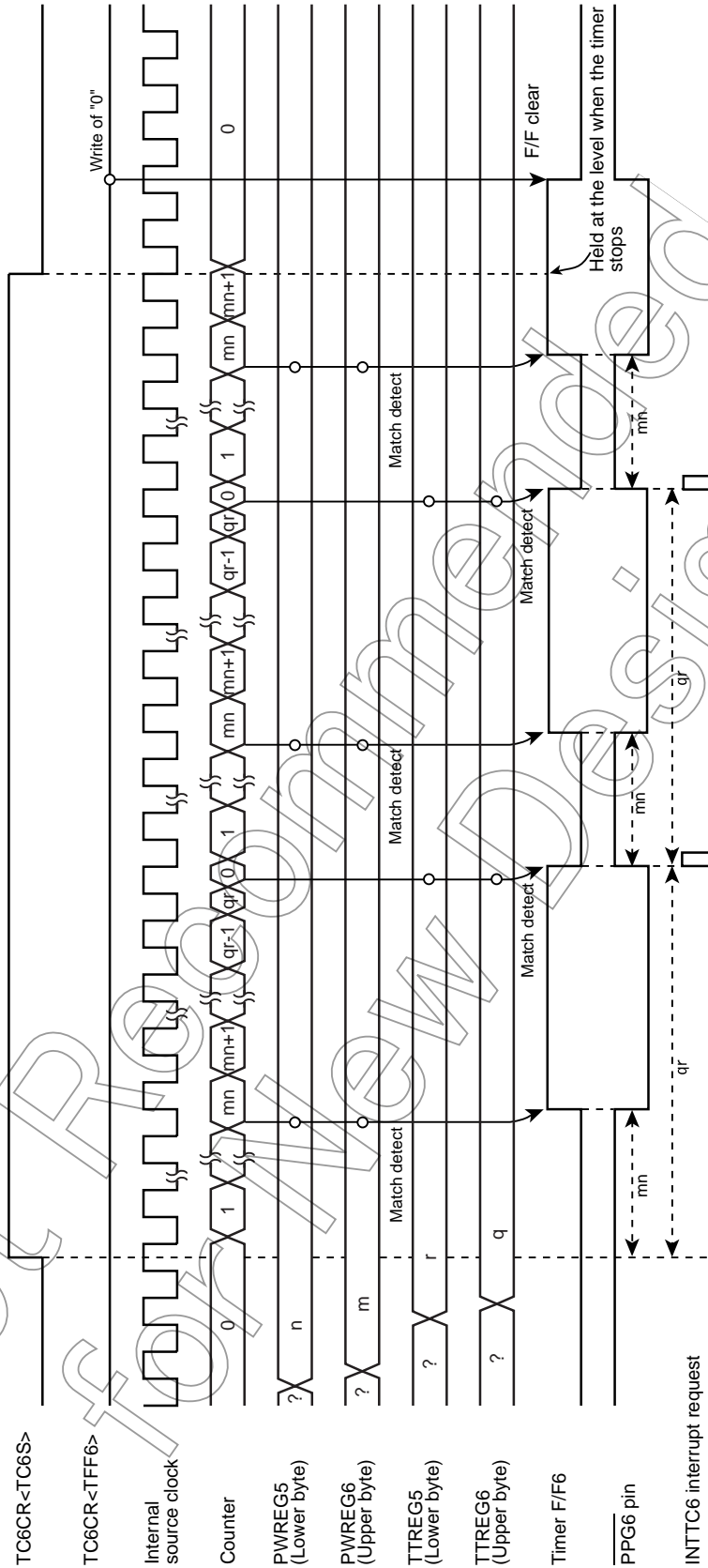


Figure 13-8 16-Bit PPG Mode Timing Chart (TC5 and TC60)

## 14. Motor Control Circuit (PMD: Programmable motor driver)

The TMP88FW45AFG contains two channels of motor control circuits used for sinusoidal waveform output. This motor control circuit can control brushless DC motors or AC motors with or without sensors. With its primary functions like those listed below incorporated in hardware, it helps to accomplish sine wave motor control easily, with the software load significantly reduced.

1. Rotor position detect function
  - Can detect the rotor position, with or without sensors
  - Can be set to determine the rotor position when detection matched a number of times, to prevent erroneous detection
  - Can set a position detection inhibit period immediately after PWM-on
2. Independent timer and timer capture functions for motor control
  - Contains one-channel magnitude comparison timer and two-channel coincidence comparison timers that operate synchronously for position detection
3. PWM waveform generating function
  - Generates 12-bit PWM with 100 ns resolution
  - Can set a frequency of PWM interrupt occurrence
  - Can set the dead time at PWM-on
4. Protective function
  - Provides overload protective function based on protection signal input
5. Emergency stop function in case of failure
  - Can be made to stop in an emergency by EMG input or timer overflow interrupt
  - Not easily cleared by software runaway
6. Auto commutation/Auto position detection start function
  - Comprised of dual-buffers, can activate auto commutation synchronously with position detection or timer
  - Can set a position detection period using the timer function and start auto position detection at the set time
7. Electrical angle timer function
  - Can count 360 degrees of electrical angle with a set period in the range of 0 to 383
  - Can output the counted electrical angle to the waveform arithmetic circuit
8. Waveform arithmetic circuit
  - Calculate the output duty cycle from the sine wave data and voltage data which are read from the RAM based on the electrical angle timer
  - Output the calculation result to the waveform synthesis circuit

## 14.1 Outline of Motor Control

The following explains the method for controlling a brushless DC motor with sine wave drive. In a brushless DC motor, the rotor windings to which to apply electric current are determined from the rotor's magnetic pole position, and the current-applied windings are changed as the rotor turns. The rotor's magnetic pole position is determined using a sensor such as a hall IC or by detecting polarity change (zero-cross) points of the induced voltage that develops in the motor windings (sensorless control). For the sensorless case, the induced voltage is detected by applying electric current to two phases and not applying electric current to the remaining other phase. In this two-phase current on case, there are six current application patterns as shown in Table 14-1, which are changed synchronously with the phases of the rotor. In this two-phase current on case, the current on time in each phase is 120 degrees relative to 180 degrees of the induced voltage.

Table 14-1 Current Application Patterns

Current Application Pattern	Upper Transistor			Lower Transistor			Current on Winding
	u	v	w	x	y	z	
Mode 0	ON	OFF	OFF	OFF	ON	OFF	U→V
Mode 1	ON	OFF	OFF	OFF	OFF	ON	U→W
Mode 2	OFF	ON	OFF	OFF	OFF	ON	V→W
Mode 3	OFF	ON	OFF	ON	OFF	OFF	V→U
Mode 4	OFF	OFF	ON	ON	OFF	OFF	W→U
Mode 5	OFF	OFF	ON	OFF	ON	OFF	W→V

Note: One of the upper or lower transistors is PWM controlled.

For brushless DC motors, the number of revolutions is controlled by an applied voltage, and the voltage application is controlled by PWM. At this time, the current on windings need to be changed in synchronism with the phases of the voltage induced by revolutions. Control timing in cases where the current on windings are changed by means of sensorless control is illustrated in Figure 14-4. For three-phase motors, zero-crossing occurs six times during one cycle of the induced voltage (electrical angle 360 degrees), so that the electrical angle from one zero-cross point to the next is 60 degrees. Assuming that this period comprises one mode, the rotor position can be divided into six modes by zero-cross points. The six current application patterns shown above correspond one for one to these six modes. The timing at which the current application patterns are changed (commutation) is out of phase by 30 degrees of electrical angle, with respect to the position detection by an induced voltage.

Mode time is obtained by detecting a zero-cross point at some timing and finding an elapsed time from the preceding zero-cross point. Because mode time corresponds to 60 degrees of electrical angle, the following applies for the case illustrated in Figure 14-4.

1. Current on windings changeover (commutation) timing

$$30 \text{ degrees of electrical angle} = \text{mode time} / 2$$

2. Position detection start timing 45 degrees of electrical angle = mode time  $\times$  3/4

3. Failure determination timing 120 degrees of electrical angle = mode time  $\times$  2

Timings are calculated in this way. The position detection start timing in 2 is needed to prevent erroneous detection of the induced voltage for reasons that even after current application is turned off, the current continues flowing due to the motor reactance.

Control is exercised by calculating the above timings successively for each of the zero-cross points detected six times during 360 degrees of electrical angle and activating commutation, position detection start, and other operations according to that timing.

In this way, operations can be synchronized to the phases of the induced voltage of the motor.

The timing needed for motor control as in this example can be set freely as desired by using the internal timers of the microcontroller's PMD unit.

Also, sine wave control requires controlling the PWM duty cycle for each pulse. Control of PWM duty cycles is accomplished by counting degrees of electrical angle and calculating the sine wave data and voltage data at the counted degree of electrical angle.

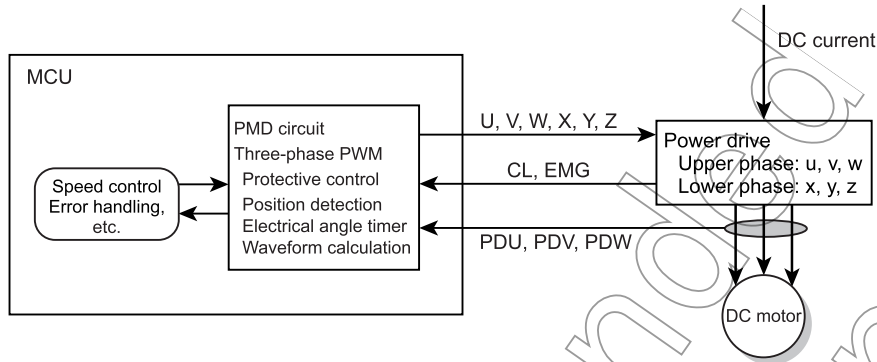


Figure 14-1 Conceptual Diagram of DC Motor Control

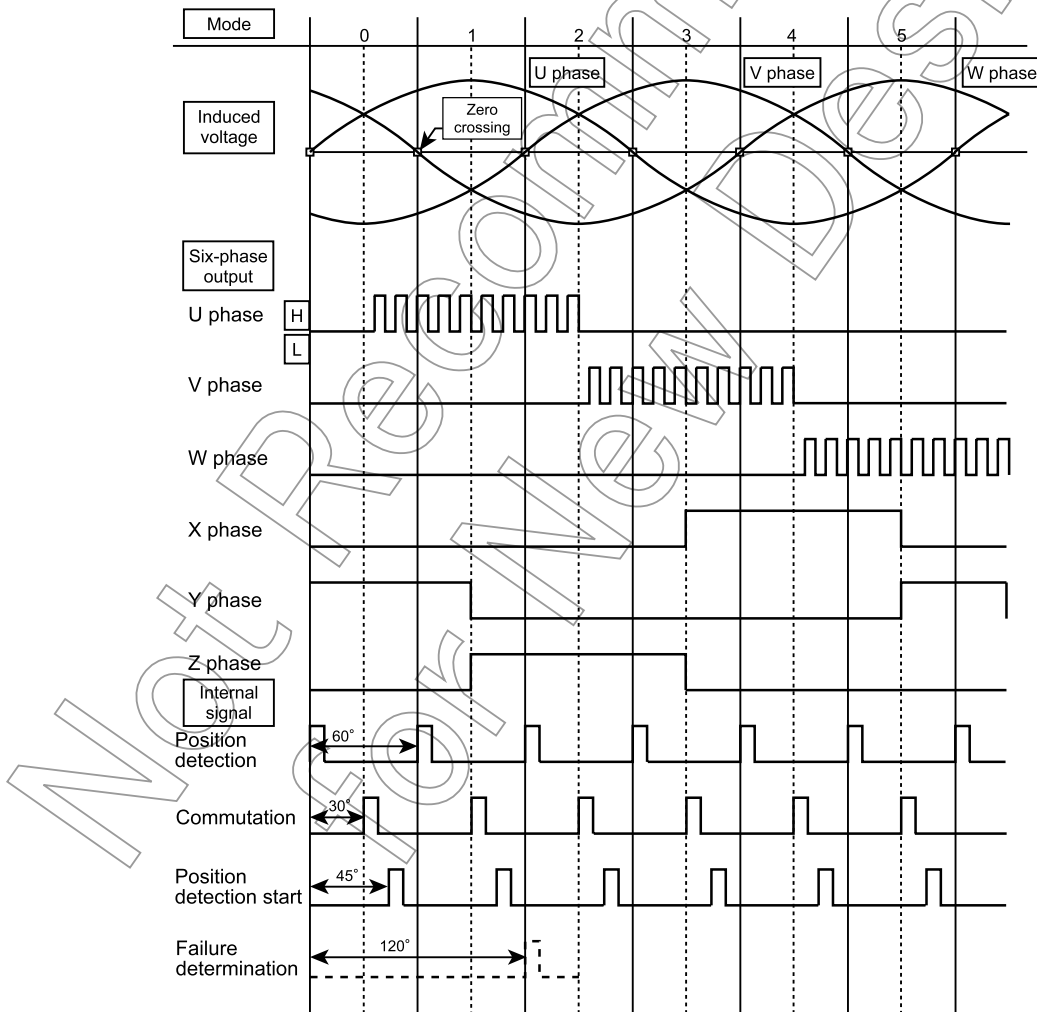


Figure 14-2 Example of Sensorless DC Motor Control Timing Chart

## 14.2 Configuration of the Motor Control Circuit

The motor control circuit consists of various units. These include a position detection unit to detect the zero-cross points of the induced voltage or position sensor signal, a timer unit to generate events at three instances of electrical angle timing, and a three-phase PWM output unit to produce three-phase output PWM waveforms. Also included are an electrical angle timer unit to count degrees of electrical angle and a waveform arithmetic unit to calculate sinusoidal waveform output duty cycles. The input/output units are configured as shown in the diagram below. When using ports for the PMD function, set the Port input/output control register (P3CRi and P5CRi) to 0 for the input ports, and for the output ports, set the data output latch (P3i and P5i) to 1 and then the port input/output control register to 1. Other input/output ports can be set in the same way for use of the PMD function.

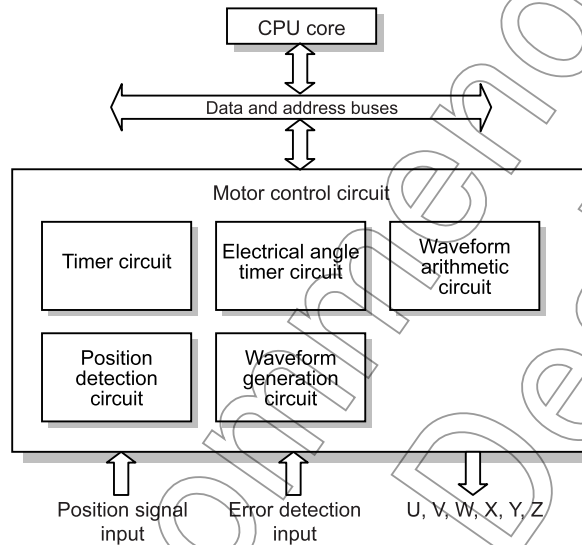


Figure 14-3 Block Diagram of the Motor Control Circuit

Note 1: Always use the LDW instruction to set data in the 9, 12 and 16-bit data registers.

Note 2: The EMG circuit initially is enabled. For PMD output, fix the EMG input port (P36 and P51) "H" high level or disable the EMG circuit before using for PMD output.

Note 3: The EMG circuit initially is enabled. When using Port P3 and P5 as input/output IO ports, disable EMG.

Note 4: When going to STOP mode, be sure to turn all of the PMD functions off before entering STOP mode.



### 14.3 Position Detection Unit

The Position Detection Unit identifies the motor's rotor position from input patterns on the position signal input port. Applied to this position signal input port is the voltage status of the motor windings for the case of sensorless DC motors or a Hall element signal for the case of DC motors with sensors included. The expected patterns corresponding to specific rotor positions are set in the PMD Output Register (MDOUT) beforehand, and when the input position signal and the expected value match as the rotation, a position detection interrupt (INTPDC) is generated. Also, unmatched detection mode is used to detect the direction of motor rotation, where when the status of the position detection input port changes from the status in which it was at start of sampling, a position detection interrupt is generated.

For three-phase brushless DC motors, there are six patterns of position signals, one for each mode, as summarized in Table 14-2 from the timing chart in Figure 14-2. Once a predicted position signal pattern is set in the MDOUT register, a position detection interrupt is generated the moment the position signal input port goes to mode indicated by this expected value. The position signals at each phase in the diagram are internal signals which cannot be observed from the outside.

Table 14-2 Position Signal Input Patterns

Position Detection Mode	U Phase (PDU)	V Phase (PDV)	W Phase (PDW)
Mode 0	H	L	H
Mode 1	H	L	L
Mode 2	H	H	L
Mode 3	L	H	L
Mode 4	L	H	H
Mode 5	L	L	H

### 14.3.1 Configuration of the position detection unit

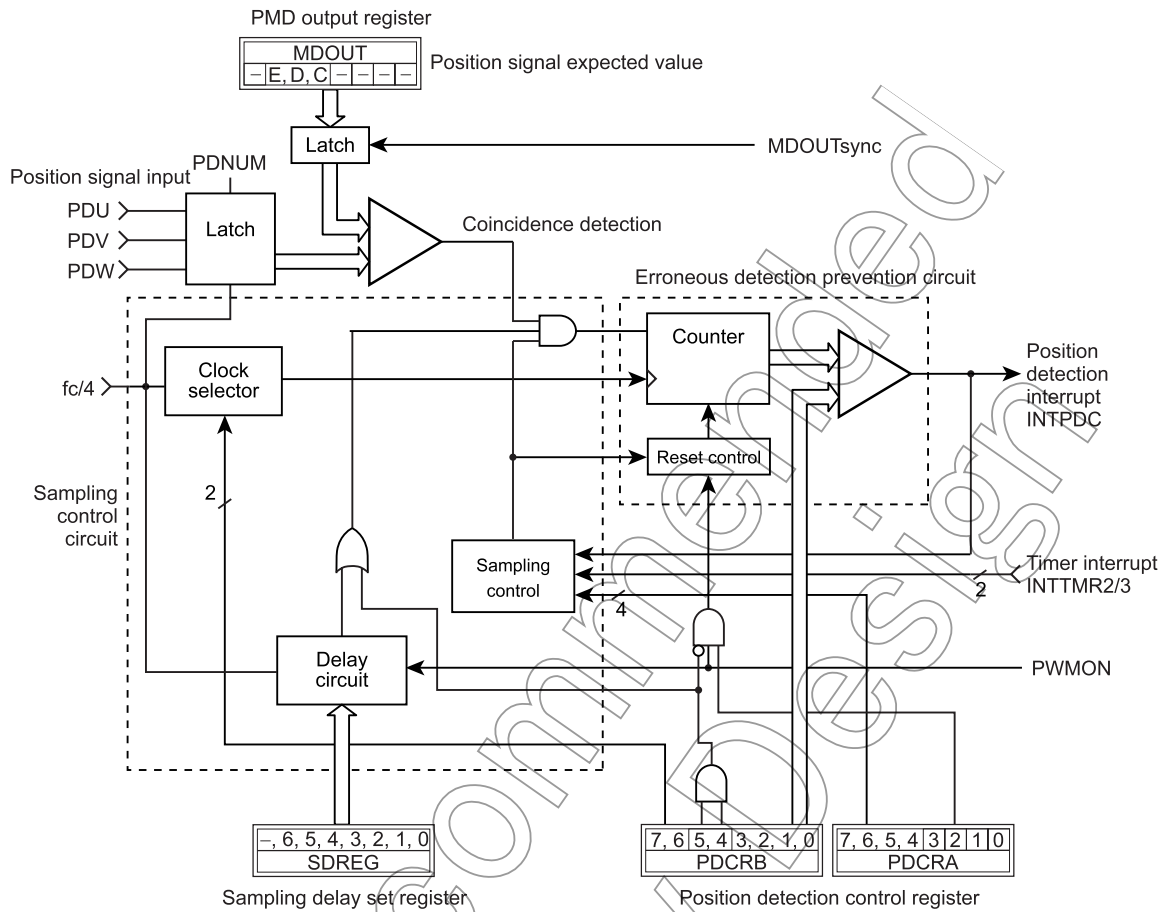


Figure 14-4 Configuration of the Position Detection Circuit

- The position detection unit is controlled by the Position Detection Control Register (PDCRA, PDCRB). After the position detection function is enabled, the unit starts sampling the position detection port with Timer 2 or in software. For the case of ordinary mode, when the status of the position detection input port matches the expected value of the PMD Output Register, the unit generates a position detection interrupt and finishes sampling, waiting for start of the next sampling.
- When unmatched detection mode is selected for position detection, the unit stores the sampled status of the position detection port in memory at the time it started sampling. When the port input status changes from the status in which it was at start of sampling, an interrupt is generated.
- In unmatched detection mode, the port status at start of sampling can be read (PDCRC<PDTCT>).
- When starting and stopping position detection synchronously with the timer, position detection is started by Timer 2 and position detection is stopped by Timer 3.
- Sampling mode can be selected from three modes available: mode where sampling is performed only while PWM is on, mode where sensors such as Hall elements are sampled regularly, and mode where sampling is performed while the lower side is conducting current (when performing sampling only while PWM is on, DUTY must be set for all three phases in common).
- When sampling mode is selected for detecting position while the lower phases are conducting current, sampling is performed for a period from when the set sampling delay time has elapsed after the lower side started conducting current till when the current application is turned off. Sampling is performed independently at each phase, and the sampling result is retained while sampling is idle. If while sampling at some phase is idle, the input and the expected value at other phase being sampled match, position is detected and an interrupt is generated.

- A sampling delay is provided for use in modes where sampling is made while PWM is on or the lower phases are conducting current. It helps to prevent erroneous detection due to noise that occurs immediately after the transistor turns on, by starting sampling a set time after the PWM signal turned on.
- When detecting position while PWM is on or the lower phases are conducting current, a method can be selected whether to recount occurrences of matched position detection after being compared for each PWM signal on (logical sum of three-phase PWM signals) (e.g., starting from 0 in each PWM cycle) or counting occurrences of matching continuously ( PDCRB<SPLMD> is used to enable/disable re-counting occurrences of matching while PWM is on).

### 14.3.2 Position Detection Circuit Register Functions

PDCRC

5, 4	EMEM	Hold result of position detection at PWM edge (Detect position detected position)	These bits hold the comparison result of position detection at falling or rising edge of PWM pulse. Bits 5 and 4 are set to 1 when position is detected at the falling or the rising edge, respectively. They show whether position is detected in the current PWM-pulse, during PWM off, or in the immediately preceding PWM pulse.
3	SMON	Monitor sampling status	When read, this bit shows the sampling status.
2 to 0	PDTCT	Hold position signal input status	This bit holds the status of the position signal input at the time position detection started in unmatch mode.

PDCRB

7, 6	SPLCK	Sampling period	Select $fc/2^2$ , $fc/2^3$ , $fc/2^4$ , or $fc/2^5$ for the position detection sampling period.
5, 4	SPLMD	Sampling mode	Select one of three modes: sampling only when PWM signal is active (when PWM is on), sampling regularly, or sampling when the lower side (X, Y, Z) phases are conducting current.
3 to 0	PDCMP	Sampling count	In ordinary mode, when the port status and the set expected value match and continuously match as many times as the sampling counts set, a position detection signal is output and an interrupt is generated. In unmatch detection mode, when the said status and value do not match and continuously unmatch as many times as the sampling counts set, a position detection signal is output and an interrupt is generated.

PDCRA

7	SWSTP	Stop sampling in software	Sampling can be stopped in software by setting this bit to 1 (e.g., by writing to this register). Sampling is performed before stopping and when position detection results match, a position detection interrupt is generated, with sampling thereby stopped.
6	SWSTT	Start sampling in software	Sampling can be started by setting this bit to 1 (e.g., by writing to this register).
5	SPTM3	Stop sampling using Timer 3	Sampling can be stopped by a trigger from Timer 3 by setting this bit to 1. Sampling is performed before stopping and when position detection results match, a position detection interrupt is generated, with sampling thereby stopped.
4	STTM2	Start sampling using Timer 2	Sampling can be started by a trigger from Timer 3 by setting this bit to 1.
3	PDNUM	Number of position signal input pins	Select whether to use three pins (PDU/PDV/PDW) or one pin (PDU only) for position signal input. When one pin is selected, the expected values of PDV and PDW are ignored. When performing position detection with two pins or a pin other than PDU, position signal input can be masked as 0 by setting unused pin(s) for output.
2	RCEN	Recount occurrences of matching when PWM is on	When performing sampling while PWM is on, occurrences of matching are recounted each time PWM signal turns on by setting this bit to 1 (when recounting occurrences of matching, the count is reset each time PWM turns off). When this bit is set to 0, occurrences of matching are counted continuously regardless PWM interval.
1	DTMD	Position detection mode	Setting this bit to 0 selects ordinary mode where position is detected when the expected value set in the register and the port input unmatch and then match. Setting this bit to 1 selects unmatch detection mode where position is detected at the time the port status changes to another one from the status in which it was when sampling started.
0	PDCEN	Position detection function	The position detection function is activated by setting this bit to 1.

SDREG

6 to 0	SDREG	Sampling delay	Set a time for which to stop sampling in order to prevent erroneous detection due to noise that occurs immediately after PWM output turns on (immediately after the transistor turns on). (Figure 14-5)
--------	-------	----------------	---------------------------------------------------------------------------------------------------------------------------------------------------------------------------------------------------------

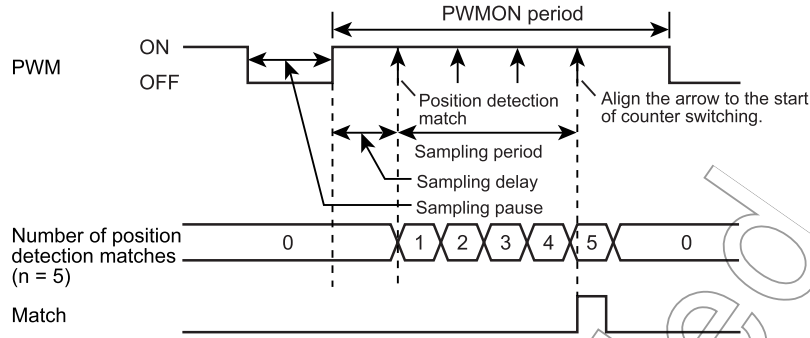


Figure 14-5 Position Detection Sampling Timing with the PWMON Period Selected

EMEM: Detects when a position detection match has occurred (the value is held after position detection).  
 (Check on whether sampling has started on the previous pulse).

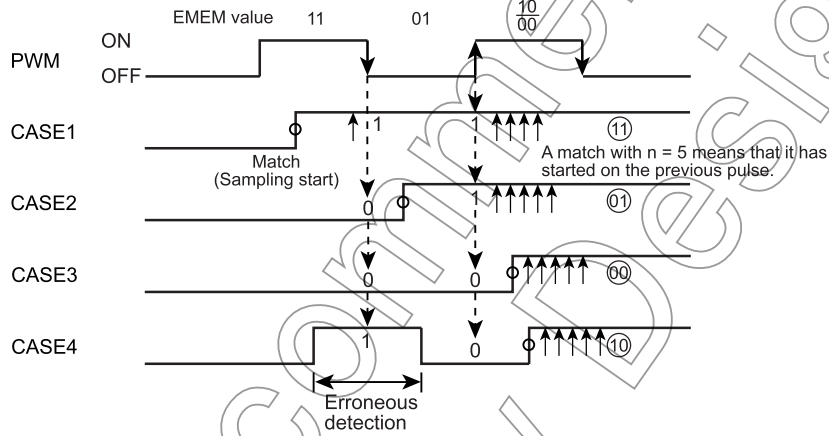


Figure 14-6 Detection Timing of the Position Detection Position

## Position Detection Circuit Registers [Addresses (PMD1 and PMD2)]

PDCRC (01FA2H) (01FD2H)	7	6	5	4	3	2	1	0	
	-	-	E MEM		S MON		P DTCT		(Initial value: **00 0000)

5, 4	E MEM	Hold result of position detection at PWM edge (Detect position detected position)	00: Detected in the current pulse 01: Detected while PWM off 10: Detected in the current pulse 11: Detected in the preceding pulse	R
3	S MON	Monitor sampling status	0: Sampling idle 1: Sampling in progress	
2 to 0	P DTCT	Hold position signal input status	Holds the status of the position signal input during unmatched detection mode. Bits 2 to 0 correspond to W, V, and U phases.	

PDCRB (01FA1H) (01FD1H)	7	6	5	4	3	2	1	0	
	S PLCK		S PLMD		P DCMP				(Initial value: 0000 0000)

7, 6	S PLCK	Select sampling input clock	00: $f_c/2^2$ [Hz] (200 ns at 20 MHz) 01: $f_c/2^3$ (400 ns at 20 MHz) 10: $f_c/2^4$ (800 ns at 20 MHz) 11: $f_c/2^5$ (1.6 $\mu$ s at 20 MHz)	R/W
5, 4	S PLMD	Sampling mode	00: Sample when PWM is on 01: Sample regularly 10: Sample when lower phases conducting current 11: Reserved	
3 to 0	P DCMP	Position detection matched counts	1 to 15 times (Counts 0 and 1 are assumed to be one time.)	

Note: When changing setting, keep the PDCEN bit reset to "0" (disable position detection function).

PDCRA (01FA0H) (01FD0H)	7	6	5	4	3	2	1	0	
	SWSTP	SWSTT	SPTM3	STTM2	PDNUM	RCEN	DTMD	PDCEN	(Initial value: 0000 0000)

7	SWSTP	Stop sampling in software	0: No operation 1: Stop sampling	W
6	SWSTT	Start sampling in software	0: No operation 1: Start sampling	
5	SPTM3	Stop sampling using Timer 3	0: Disable 1: Enable	R/W
4	STTM2	Start sampling using Timer 2	0: Disable 1: Enable	
3	PDNUM	Number of position signal input pins	0: Compare three pins (PDU/PDV/PDW) 1: Compare one pin (PDU) only	
2	RCEN	Recount occurrences of matching when PWM is on	0: Continue counting from previously PWM on 1: Recount each time PWM turns on	
1	DTMD	Position detection mode	0: Ordinary mode 1: Unmatch detection mode	
0	PDCEN	Enable/Disable position detection function	0: Disable 1: Enable (Sampling starts)	

Note: Read-modify-write instructions, such as a bit manipulation instruction, cannot access the PDCRA because it contains a write only bit.

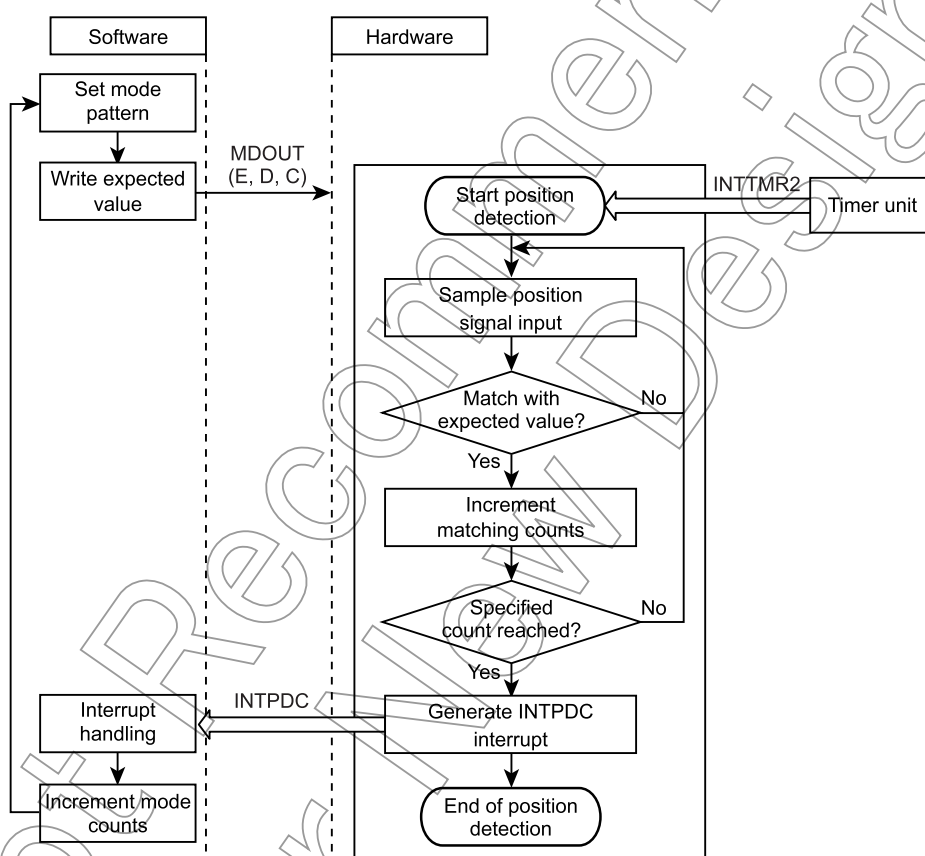
Not Recommended  
for New Design

SDREG	7	6	5	4	3	2	1	0	
(01FA3H)	-	D6	D5	D4	D3	D2	D1	D0	(Initial value: *000 0000)
(01FD3H)									

6 to 0	SDREG	Sampling delay	$2^3/f_c \times n$ bits (n = 0 to 6, maximum 50.8 $\mu$ s, resolution of 400 ns at 20 MHz)	R/W
--------	-------	----------------	--------------------------------------------------------------------------------------------	-----

Note: When changing setting, keep the PDCEN bit reset to "0" (disable position detection function).

### 14.3.3 Outline Processing in the Position Detection Unit



## 14.4 Timer Unit

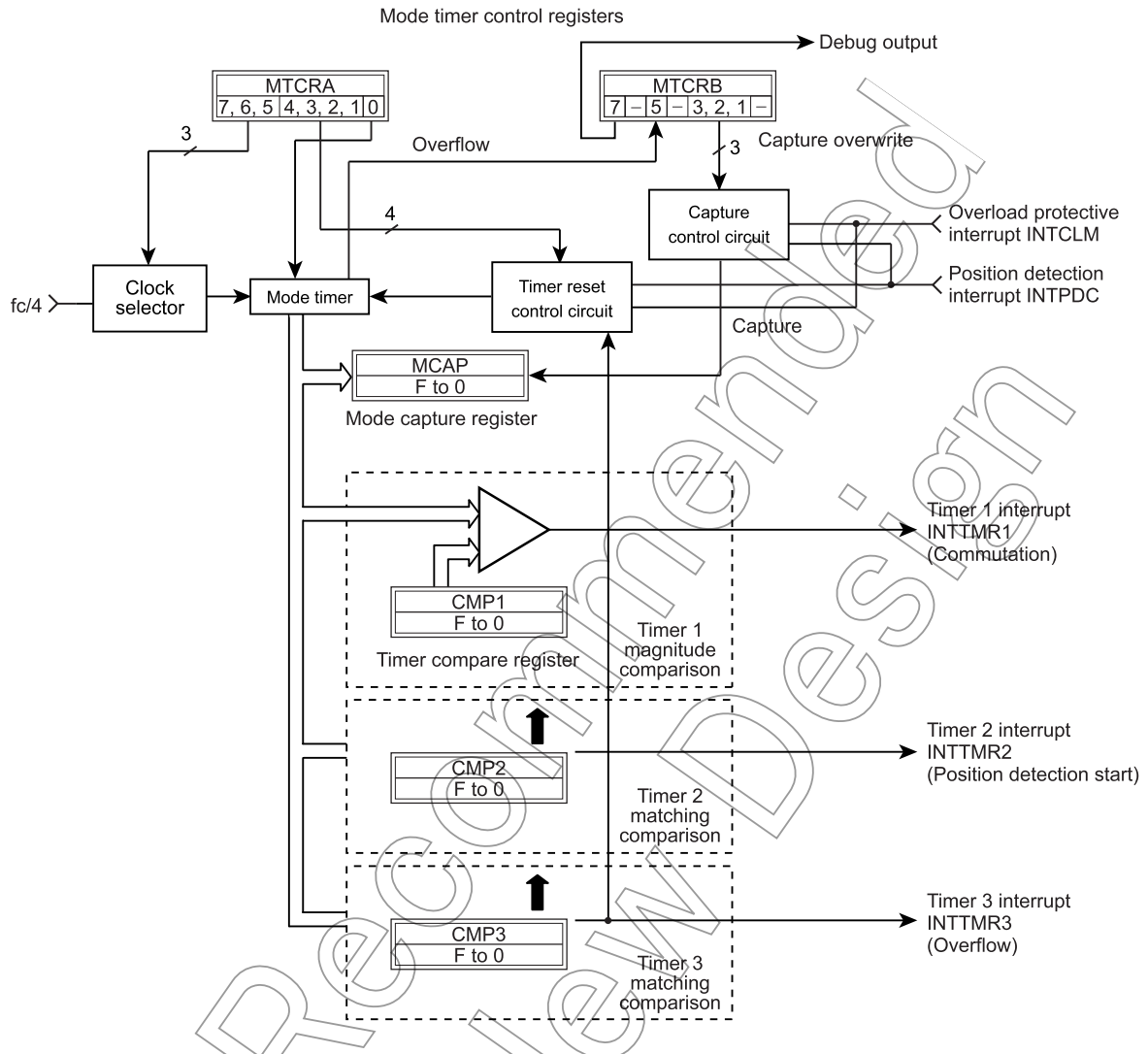


Figure 14-7 Timer Circuit Configuration

The timer unit has an up counter (mode timer) which is cleared by a position detection interrupt (INTPDC). Using this counter, it can generate three types of timer interrupts (INTTMR1 to 3). These timer interrupts may be used to produce a commutation trigger, position detection start trigger, etc. Also, the mode timer has a capture function which automatically captures register data in synchronism with position detection or overload protection. This capture function allows motor revolutions to be calculated by measuring position detection intervals.



### 14.4.1 Configuration of the Timer Unit

The timer unit consists mainly of a mode timer, three timer comparator, and mode capture register, and is controlled by timer control registers and timer compare registers.

- The mode timer can be reset by a signal from the position detection circuit, Timer 3, or overload protective circuit. If the mode timer overflows without being reset, it stops at FFFFH and sets an overflow flag in the control register.
- The value of the mode timer during counting can be read by capturing the count in software and reading the capture register.
- Timer 1 and Timers 2 and 3 generate an interrupt signal by magnitude comparison and matching comparison, respectively. Therefore, Timer 1 can generate an interrupt signal even when it could not write to the compare register in time and the counter value at the time of writing happens to exceed the register's set value.
- When any one of Timers 1 to 3 interrupts occurs, the next interrupts can be enabled by writing a new value to the respective compare registers (CMP1, CMP2, CMP3).
- When capturing by position detection is enabled, the capture register has the timer value captured in it each time position is detected. In this way, the capture register always holds the latest value.

Not Recommended for New Design

14.4.1.1 Timer Circuit Register Functions

MTCRB

7	DBOUT	Debug output	Debug output can be produced by setting this bit to 1. Because interrupt signals to the interrupt control circuit are used for each interrupt, hardware debugging without software delays are possible. See the debug output diagram (Figure 14-8). Output ports: P67 for PMD1, P77 for PMD2.
5	TMOF	Mode timer overflow	This bit shows that the timer has overflowed.
3	CLCP	Capture mode timer by overload protection	When this bit is set to 1, the timer value can be captured using the overload protection signal (CL) as a trigger.
2	SWCP	Capture mode timer in software	When this bit is set to 1, the timer value can be captured in software (e.g., by writing to this register).
1	PDCCP	Capture mode timer by position detection	When this bit is set to 1, the timer value can be captured using the position detection signal as a trigger.

MTCRA

7, 6, 5	TMCK	Select clock	Select the timer clock.
4	RBTM3	Reset mode timer from Timer 3	When this bit is set to 1, the mode timer is reset by a trigger from Timer 3.
3	RBCL	Reset mode timer by overload protection	When this bit is set to 1, the mode timer is reset by the overload protection signal (CL) as a trigger.
2	SWRES	Reset mode timer in software	When this bit is set to 1, the mode timer is reset in software (e.g., by writing to this register).
1	RBPDC	Reset mode timer by position detection	When this bit is set to 1, the mode timer is reset by the position detection signal as a trigger.
0	TMEN	Enable/disable mode timer	The mode timer is started by setting this bit to 1. Therefore, Timers 1 to 3 must be set with CMP before setting this bit. If this bit is set to 0 after setting CMP, CMP settings become ineffective.

MCAP	Mode capture	Position detection interval can be read out.
------	--------------	----------------------------------------------

CMP1	Timer 1 (commutation)	Timers 1 to 3 are enabled while the mode timer is operating. An interrupt can be generated once by setting the corresponding bit in this register. The interrupt is disable when an interrupt is generated or the timer is reset. To use the timer again, set the register back again even if data is same.
CMP2	Timer 2 (position detection start)	
CMP3	Timer 3 (overflow)	

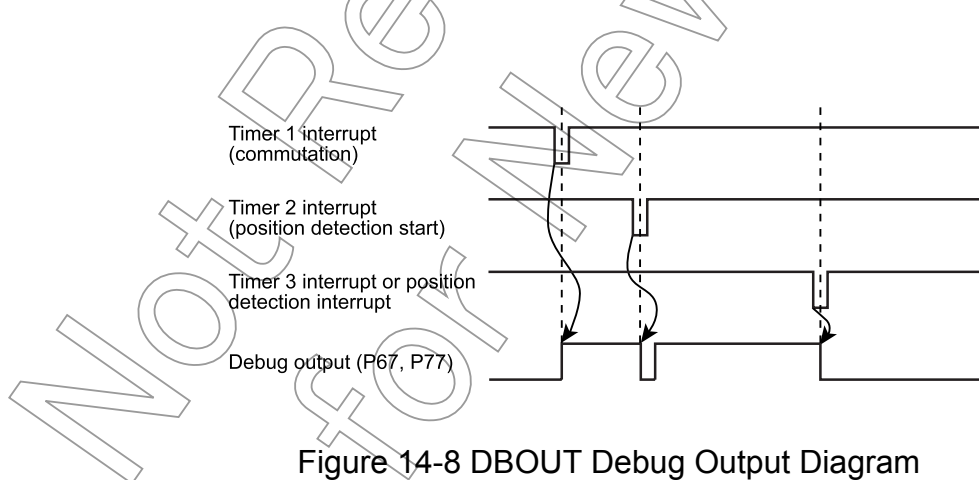
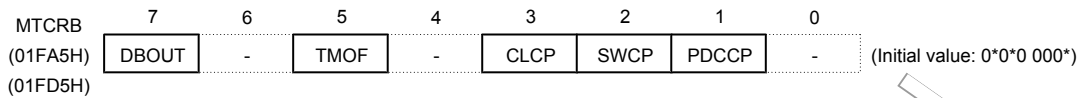


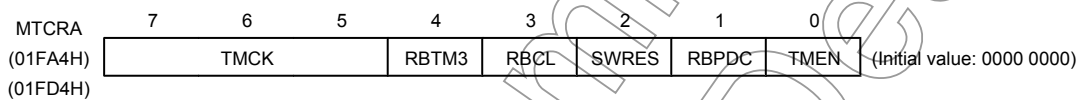
Figure 14-8 DBOUT Debug Output Diagram

Timer Circuit Registers [Addresses (PMD1 and PMD2)]



7	DBOUT	Debug output	0: Disable 1: Enable (P67 for PMD1, P77 for PMD2)	R/W
5	TMOF	Mode timer overflow	0: No overflow 1: Overflowed	R
3	CLCP	Capture mode timer by overload protection	0: Disable 1: Enable	R/W
2	SWCP	Capture mode timer in software	0: No operation 1: Capture	W
1	PDCCP	Capture mode timer by position detection	0: Disable 1: Enable	R/W

Note: Read-modify-write instructions, such as a bit manipulation instruction, cannot access the MTCRB because it contains a write-only bit.



7, 6, 5	TMCK	Select clock	000: $f_c/2^3$ (400 ns at 20 MHz) 010: $f_c/2^4$ (800 ns at 20 MHz) 100: $f_c/2^5$ (1.6 $\mu$ s at 20 MHz) 110: $f_c/2^6$ (3.2 $\mu$ s at 20 MHz) 001: $f_c/2^7$ (6.4 $\mu$ s at 20 MHz) 011: Reserved 101: Reserved 111: Reserved	R/W
4	RBTM3	Reset mode timer from Timer 3	0: Disable 1: Enable	R/W
3	RBCL	Reset mode timer by overload protection	0: Disable 1: Enable	
2	SWRES	Reset mode timer in software	0: No operation 1: Reset	
1	RBPDC	Reset mode timer by position detection	0: Disable 1: Enable	R/W
0	TMEN	Enable/disable mode timer	0: Disable 1: Enable timer start	

Note 1: When changing MTCRA<TMCK> setting, keep the MTCRA<TMEN> bit reset to "0" (disable mode timer).

Note 2: Read-modify-write instructions, such as a bit manipulation instruction, cannot access the MTCRA because it contains a write-only bit.

MCAP		F	E	D	C	B	A	9	8	7	6	5	4	3	2	1	0	(Initial value: 0000 0000 0000 0000)
(01FA7H, 01FA6H)	(01FD7H, 01FD6H)	DF	DE	DD	DC	DB	DA	D9	D8	D7	D6	D5	D4	D3	D2	D1	D0	

MCAP	Mode capture	Position detection interval	R
------	--------------	-----------------------------	---

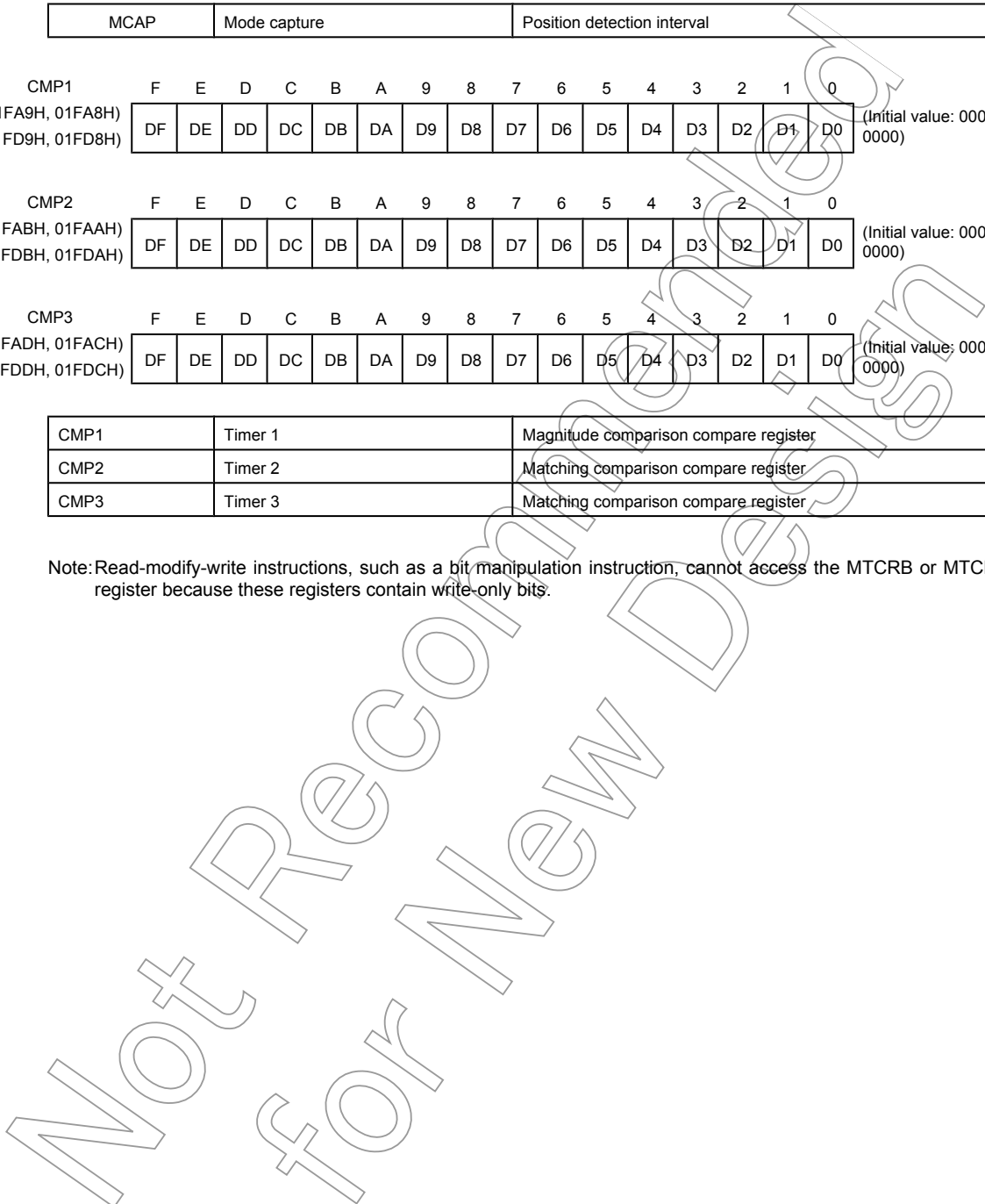
CMP1		F	E	D	C	B	A	9	8	7	6	5	4	3	2	1	0	(Initial value: 0000 0000 0000 0000)
(01FA9H, 01FA8H)	(01FD9H, 01FD8H)	DF	DE	DD	DC	DB	DA	D9	D8	D7	D6	D5	D4	D3	D2	D1	D0	

CMP2		F	E	D	C	B	A	9	8	7	6	5	4	3	2	1	0	(Initial value: 0000 0000 0000 0000)
(01FABH, 01FAAH)	(01FDBH, 01FDAH)	DF	DE	DD	DC	DB	DA	D9	D8	D7	D6	D5	D4	D3	D2	D1	D0	

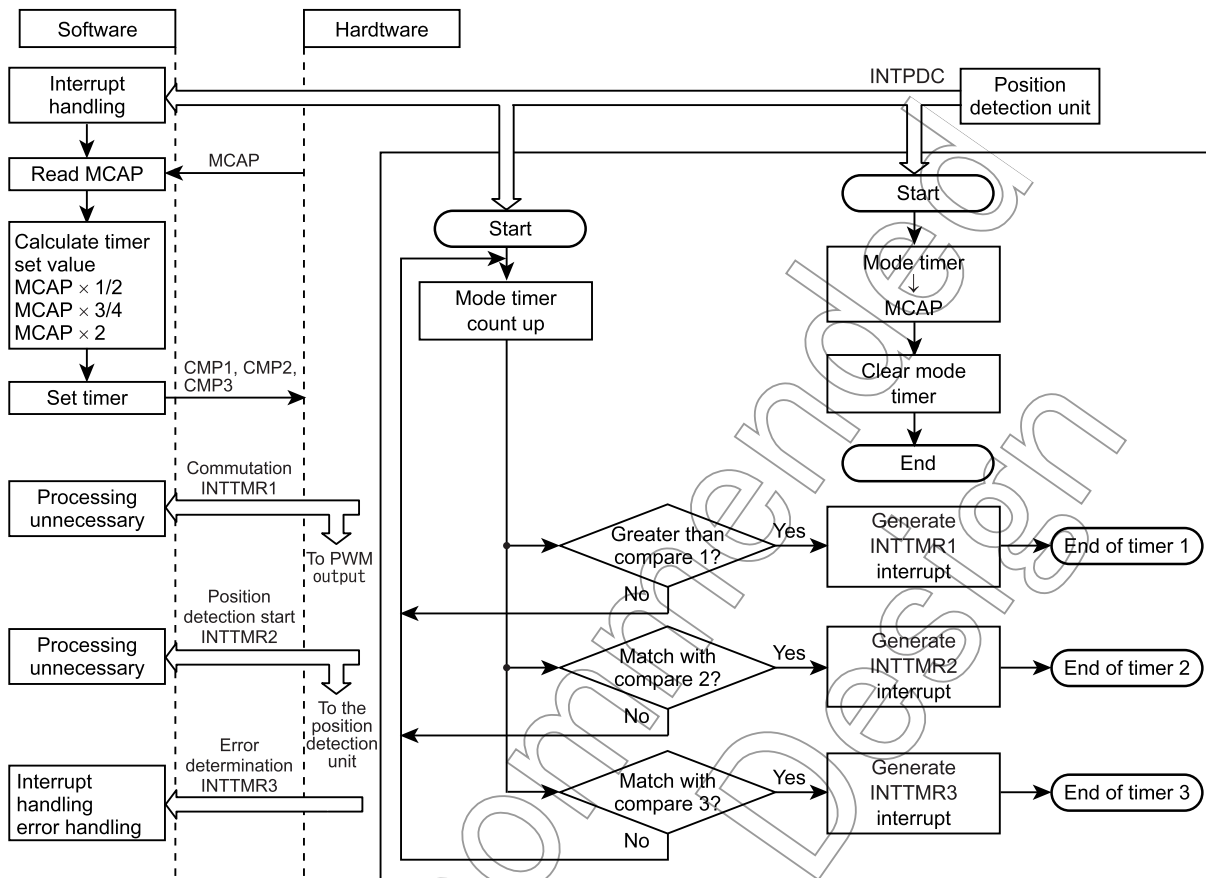
CMP3		F	E	D	C	B	A	9	8	7	6	5	4	3	2	1	0	(Initial value: 0000 0000 0000 0000)
(01FADH, 01FACH)	(01FDDH, 01FDCH)	DF	DE	DD	DC	DB	DA	D9	D8	D7	D6	D5	D4	D3	D2	D1	D0	

CMP1	Timer 1	Magnitude comparison compare register	R/W
CMP2	Timer 2	Matching comparison compare register	
CMP3	Timer 3	Matching comparison compare register	

Note: Read-modify-write instructions, such as a bit manipulation instruction, cannot access the MTCRB or MTCRA register because these registers contain write-only bits.



14.4.1.2 Outline Processing in the Timer Unit



Not Recommended for New

## 14.5 Three-phase PWM Output Unit

The Three-phase PWM Output Unit has the function to generate three-phase PWM waves with any desired pulse width and the commutation function capable of brushless DC motor control. In addition, it has the protective functions such as overload protection and emergency stop functions necessary to protect the power drive unit, and the dead time adding function which helps to prevent the in-phase upper/lower transistors from getting shorted by simultaneous turn-on when switched over.

For the PWM output pin (U,V,W,X,Y,Z), set the port register PxDR and PxCR (x = 3,5) to 1. The PWM output initially is set to be active low, so that if the output needs to be used active high, set up the MDCRA Register accordingly.

### 14.5.1 Configuration of the three-phase PWM output unit

The three-phase PWM output unit consists of a pulse width modulation circuit, commutation control circuit, protective circuit (emergency stop and overload), and a dead time control circuit.

#### 14.5.1.1 Pulse width modulation circuit (PWM waveform generating unit)

This circuit produces three-phase independent PWM waveforms with an equal PWM frequency. For PWM waveform mode, triangular wave modulation or sawtooth wave modulation can be selected by using the PMD Control Register (MDCRA) bit 1. The PWM frequency is set by using the PMD Period Register (MDPRD). The following shows the relationship between the value of this register and the PWM counter clock set by the MDCRB Register, PWMCK.

$$\text{Sawtooth wave PWM: MDPRD Register set value} = \frac{1}{\text{PWM frequency [Hz]} \times \text{PWMCK}}$$

$$\text{Triangular wave PWM: MDPRD Register set value} = \frac{1}{\text{PWM frequency [Hz]} \times 2 \times \text{PWMCK}}$$

The PMD Period Register (MDPRD) is comprised of dual-buffers, so that CMPU, V, W Register is updated with PWM period.

When the waveform arithmetic circuit is operating, the PWM waveform output unit receives calculation results from the waveform arithmetic circuit and by using the results as CMPU, V, W Register set value, it outputs independent three-phase PWM waveforms. When the waveform calculation function is enabled by the waveform arithmetic circuit and transfer of calculation results into the CMPU to W Registers is enabled (with EDCRA Register bit 2), the CMPU to W Registers are disabled against writing.

When the waveform calculation function is enabled (with EDCRA Register bit 1) and transfer of calculation results into the CMPU, V, W Registers is disabled (with EDCRA Register bit 4), the calculation results are transferred to the buffers of CMPU, V, W Registers, but not output to the port.

Read-accessing the CMPU, V, and W registers can read the calculation results of the waveform arithmetic circuit that have been input to a buffer. After changing the read calculation result data by software, writing the changed data to the CMPU, V, and W registers enables an arbitrary waveform other than a sinusoidal wave to be output. When the registers are read after writing, the values written to the registers are read out if accessed before the calculation results are transferred after calculation is finished.

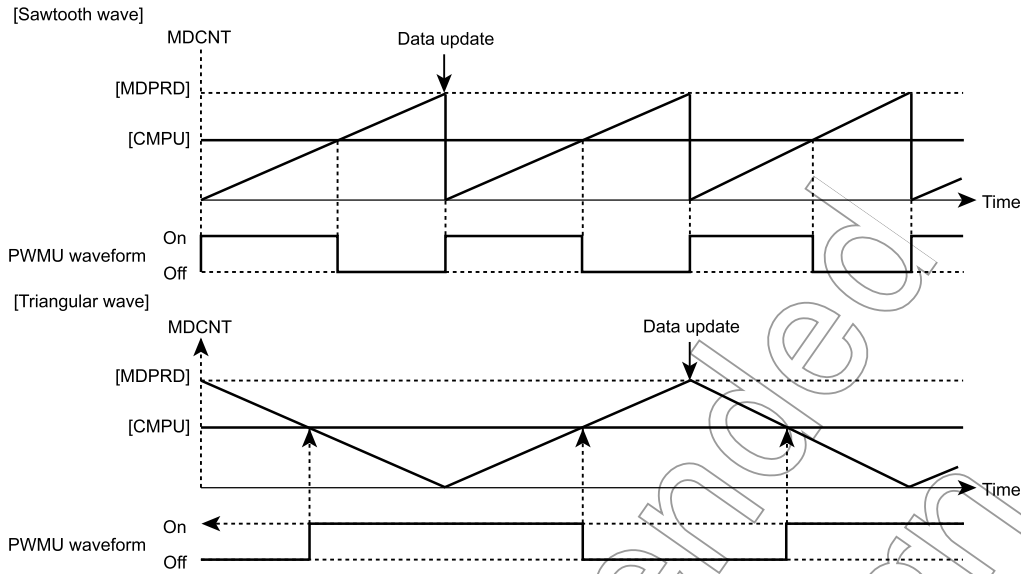


Figure 14-9 PWM Waveforms

The values of the PWM Compare Registers (CMPU/V/W) and the carrier wave generated by the PWM Counter (MDCNT) are compared for the relative magnitude by the comparator to produce PWM waveforms.

The PWM Counter is a 12-bit up/down counter with a 100-ns (at  $f_c = 20$  MHz) resolution.

For three-phase output control, two methods of generating three-phase PWM waveforms can be set.

1. Three-phase independent mode: Values are set independently in the three-phase PMD Compare Registers to produce three-phase independent PWM waveforms. This method may be used to produce sinusoidal or any other desired drive waveforms.
2. Three-phase common mode: A value is set in only the U-phase PMD Compare Register to produce three in-phase PWM waveforms using the U phase set value. This method may be used for DC motor square wave drive.

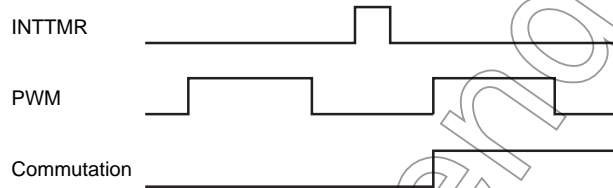
The three-phase PMD Compare Registers each have a comparison register to comprise a dual-buffer structure. The values of the PMD Compare Registers are loaded into their respective comparison registers synchronously with PWM period.

Not for use

14.5.1.2 Commutation control circuit

Output ports are controlled depending on the contents set in the PMD Output Register (MDOUT). The contents set in this register are divided into two, one for selecting the synchronizing signal for port output, and one for setting up port output. The synchronizing signal can be selected from Timers 1 or 2, position detection signal, or without sync. Port output can be synchronized to this synchronizing signal before being further synchronized to the PWM signal sync. The MDOUT Register's synchronizing signal select bit becomes effective immediately after writing. Other bits are dual-buffered, and are updated by the selected synchronizing signal.

Example: Commutation timing for one timer period with PWM synchronization specified



Output on six ports can be set to be active high or active low independently of each other by using the MDCRA Register bits 5 and 4. Furthermore, the U, V, and W phases can individually be selected between PWM output and H/L output by using the MDOUT Register bits A to 8 and 5 to 0. When PWM output is selected, PWM waveforms are output; when H/L output is selected, a waveform which is fixed high or low is output. The MDOUT Register bits E to C set the expected position signal value for the position detection circuit.

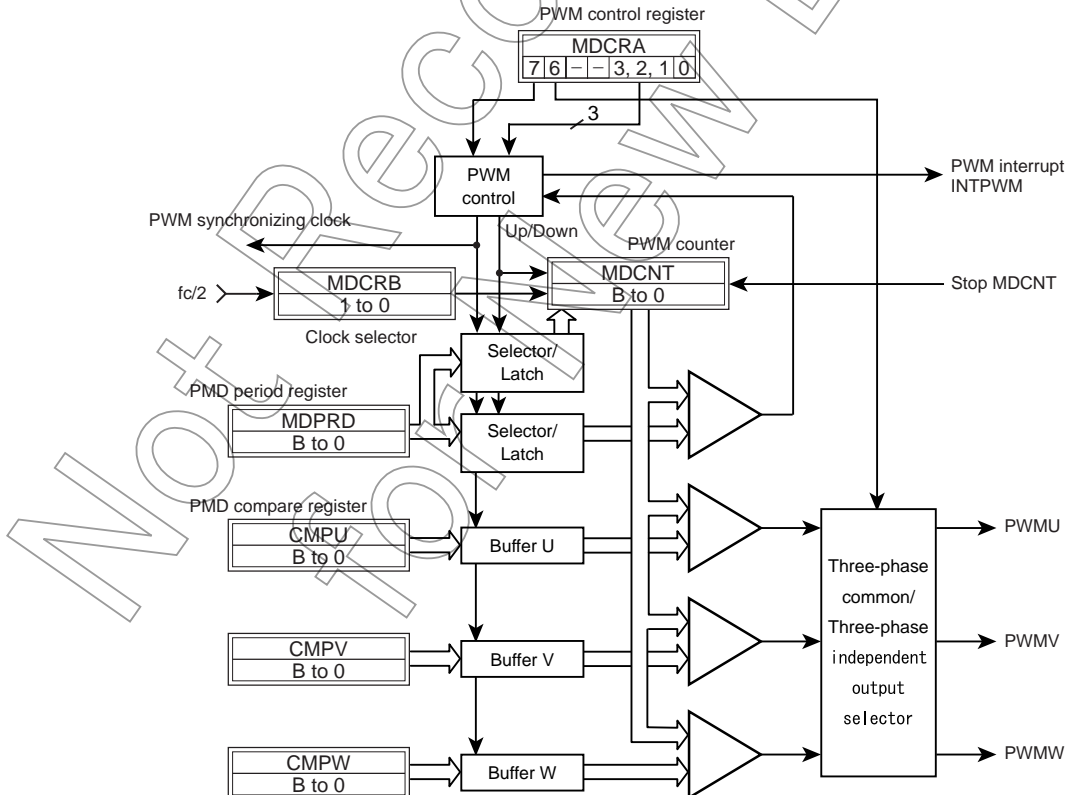


Figure 14-10 Pulse Width Modulation Circuit



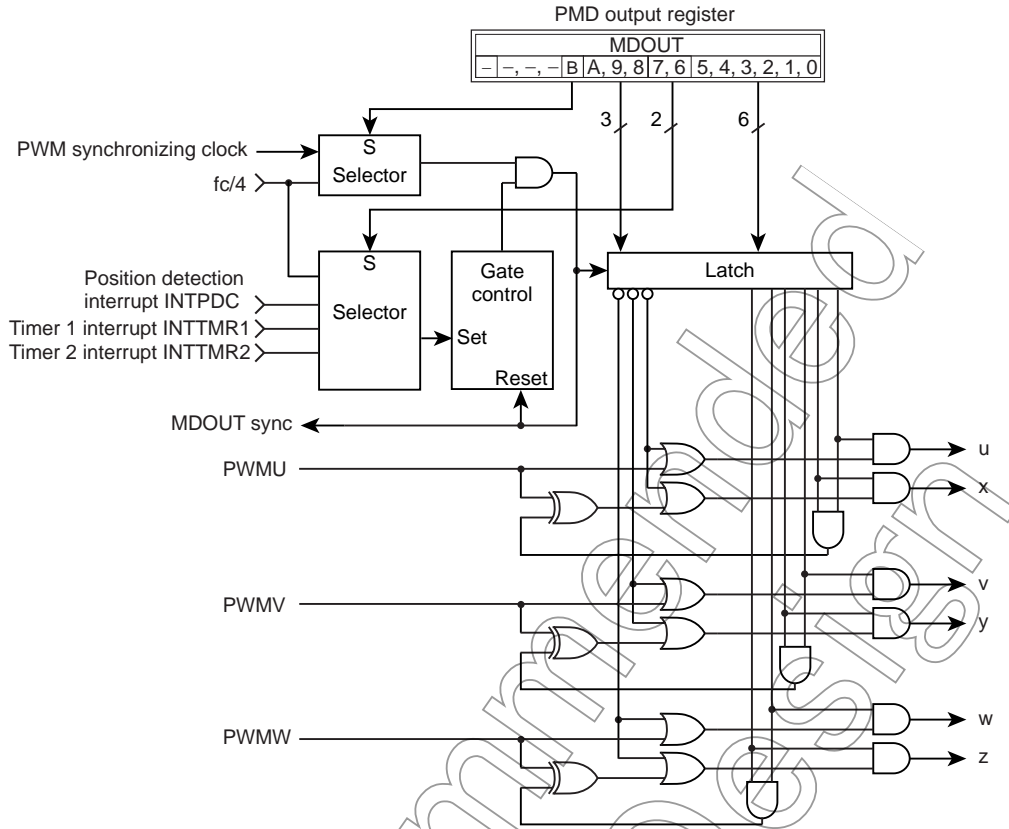


Figure 14-11 Commutation Control Circuit

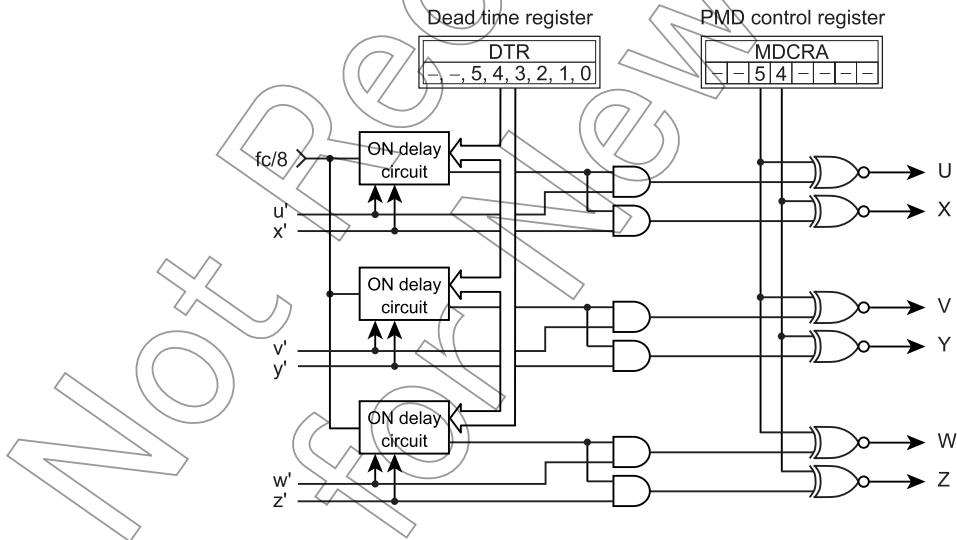


Figure 14-12 Dead Time Circuit

### 14.5.2 Register Functions of the Waveform Synthesis Circuit

MDCRB

PWMCK	Select PWM counter clock	Select PWM counter clock.
-------	--------------------------	---------------------------

Not Recommended  
for New Design

MDCRA

7	HLFINT	Select half-period interrupt	When this bit is set to 1, INTPWM is generated every half period (at triangular wave peak and valley) in the case of center PWM output and PINT = 00. In other cases, this setting has no meaning.
6	DTYMD	DUTY mode	Select whether to set the duty cycle independently for three phases using the CMPU to W Registers or in common for all three phases by setting the CMPU Register only.
5	POLH	Upper-phase port polarity	Select the upper-phase output port polarity. Make sure the waveform synthesis function (MDCRA Register bit 0) is idle before selecting this port polarity.
4	POLL	Lower-phase port polarity	Select the lower-phase output port polarity. Make sure the waveform synthesis function (MDCRA Register bit 0) is idle before selecting this port polarity.
3, 2	PINT	PWM interrupt frequency	Select the frequency at which to generate a PWM interrupt from four choices available: every PWM period or once every 2, 4, or 8 PWM periods. When setting of this bit is altered while operating, an interrupt may be generated at the time the bit is altered.
1	PWMMD	PWM mode	Select PWM mode. PWM mode 0 is an edge PWM (sawtooth wave), and PWM mode 1 is a center PWM (triangular wave).
0	PWMEN	Enable/Disable waveform generation circuit	When enabling this circuit (for waveform output), be sure to set the output port polarity and other bits of this register (other than MDCRA bit 0) beforehand.

DTR

DTR	Dead time	Set the dead time between the upper-phase and lower-phase outputs.
-----	-----------	--------------------------------------------------------------------

MDOUT

F	UPDWN	PWM counter flag	This bit indicates whether the PWM counter is counting up or down. When edge PWM (sawtooth wave) is selected, it is always set to 0.
E, D, C	PDEXP	Mode compare register	Set the data to be compared with the position detection input port. The comparison data is adopted as the expected value simultaneously when port output sync settings made with MDOUT are reflected in the ports. (This is the expected position detection input value for the output set with MDOUT next time.)
B	PSYNC	Select PWM synchronization	Select whether or not to synchronize port output to PWM period after being synchronized to the synchronizing signal selected with SYNCNS. If selected to be synchronized to PWM, output is kept waiting for the next PWM after being synchronized with SYNCNS. Waveform settings are overwritten if new settings are written to the register during this time, and output is generated with those settings.
A 9 8	WPWM VPWM UPWM	Control UVW-phase PWM outputs	Set U, V, and W-phase port outputs. (See the Table 14-3)
7, 6	SYNCNS	Select port output sync signal	Select the synchronizing signal with which to output UVW-phase settings to ports. The synchronizing signal can be selected from Timers 1 or 2, position detection, or asynchronous. Select asynchronous when the initial setting, otherwise the above setting isn't reflected immediately.
5, 4 3, 2 1, 0	WOC VOC UOC	Control UVW-phase outputs	Set U, V, and W-phase port outputs. (See the Table 14-3)

MDCNT	PWM counter	This is a 12-bit read-only register used to count PWM periods.
-------	-------------	----------------------------------------------------------------

M DPRD	Set PWM period	This register determines PWM period, and is dual-buffered, allowing PWM period to be altered even while the PWM counter is operating. The buffers are loaded every PWM period. When 100 ns is selected for the PWM counter clock, make sure the least significant bit is set to 0.
--------	----------------	------------------------------------------------------------------------------------------------------------------------------------------------------------------------------------------------------------------------------------------------------------------------------------

CMPU CMPV CMPW	Set PWM pulse width	This comparison register determines the pulse widths output in the respective UVW phases. This register is dual-buffered, and the pulse widths are determined by comparing the buffer and PWM counter.
----------------------	---------------------	--------------------------------------------------------------------------------------------------------------------------------------------------------------------------------------------------------

Waveform Synthesis Circuit Registers [Addresses (PMD1 and PMD2)]

MDCRB (01FAFH) (01FDFH)	7	6	5	4	3	2	1	0	
	-	-	-	-	-	-	PWMCK		(Initial value: **** *00)

1, 0	PWMCK	PWM counter Select clock	00: $fc/2$ [Hz] (100 ns at 20 MHz) 01: $fc/2^2$ (200 ns at 20 MHz) 10: $fc/2^3$ (400 ns at 20 MHz) 11: $fc/2^4$ (800 ns at 20 MHz)	R/W
------	-------	--------------------------	---------------------------------------------------------------------------------------------------------------------------------------------	-----

Note: When changing setting, keep the PWMEN bit reset to "0" (disable wave form synthesis function).

MDCRA (01FAEH) (01FDEH)	7	6	5	4	3	2	1	0	
	HLFINT	DTYMD	POLH	POLL	PINT	PWMMD	PWMEN		(Initial value: 0000 0000)

7	HLFINT	Select half-period interrupt	0: Interrupt as specified in PINT 1: Interrupt every half period when PINT = 00	R/W
6	DTYMD	DUTY mode	0: U phase in common 1: Three phases independent	
5	POLH	Upper-phase port polarity	0: Active low 1: Active high	
4	POLL	Lower-phase port polarity	0: Active low 1: Active high	
3, 2	PINT	Select PWM interrupt (trigger)	00: Interrupt every period 01: Interrupt once every 2 periods 10: Interrupt once every 4 periods 11: Interrupt once every 8 periods	
1	PWMMD	PWM mode	0: PWM mode0 (Edge: Sawtooth wave) 1: PWM mode1 (Center: Triangular wave)	
0	PWMEN	Enable/disable waveform synthesis function	0: Disable 1: Enable (Waveform output)	

DTR (01FBEH) (01FEEH)	7	6	5	4	3	2	1	0	
	-	-	D5	D4	D3	D2	D1	D0	(Initial value: **00 0000)

5 to 0	DTR	Dead time	$2^3/fc \times 6$ bit (maximum 25.2 $\mu$ s at 20 MHz)	R/W
--------	-----	-----------	--------------------------------------------------------	-----

Note: When changing setting, keep the MDCRA<PWMEN> bit reset to "0" (disable wave form synthesis function).

MDOUT	F	E	D	C	B	A	9	8	
(01FB3H, 01FB2H)	UPDWN	PDEXP			PSYNC	WPWM	VPWM	UPWM	
(01FE3H, 01FE2H)	7	6	5	4	3	2	1	0	
	SYNCS		WOC		VOC		UOC		(Initial value: 00000000 00000000)

F	UPDWN	PWM counter flag	0: Counting up 1: Counting down	R
E, D, C	PDEXP	Comparison register for position detection	bit E: W-phase expected value bit D: V-phase expected value bit C: U-phase expected value	R/W
B	PSYNC	Select PWM synchronization	0: Asynchronous 1: Synchronized	
A	WPWM	W-phase PWM output	0: H/L level output 1: PWM waveform output	
9	VPWM	V-phase PWM output	0: H/L level output 1: PWM waveform output	
8	UPWM	U-phase PWM output	0: H/L level output 1: PWM waveform output	
7, 6	SYNCS	Select port output synchronizing signal	00: Asynchronous 01: Synchronized to position detection 10: Synchronized to Timer 1 11: Synchronized to Timer 2	
5, 4	WOC	Control W-phase output	See the table 1-3	
3, 2	VOC	Control V-phase output		
1, 0	UOC	Control U-phase output		

14.5.3 Port output as set with UOC/VOC/WOC bits and UPWM/VPWM/WPWM bits

Table 14-3 Example of Pin Output Settings

U-phase output polarity: Active high  
(POLH,POLL = 1)

UOC	UPWM			
	1: PWM output		0: H/L level output	
	U phase	X phase	U phase	X phase
00	PWM	PWM	L	L
01	L	PWM	L	H
10	PWM	L	H	L
11	PWM	PWM	H	H

U-phase output polarity: Active low  
(POLH,POLL = 0)

UOC	UPWM			
	1: PWM output		0: H/L level output	
	U phase	X phase	U phase	X phase
00	PWM	PWM	H	H
01	H	PWM	H	L
10	PWM	H	L	H
11	PWM	PWM	L	L

MDCNT	F	E	D	C	B	A	9	8	7	6	5	4	3	2	1	0	(Initial value: ****000000000000)
(01FB5H, 01FB4H)	-	-	-	-	DB	DA	D9	D8	D7	D6	D5	D4	D3	D2	D1	D0	
(01FE5H, 01FE4H)																	

B to 0	PWM counter	PWM period counter value	R
--------	-------------	--------------------------	---

MDPRD	F	E	D	C	B	A	9	8	7	6	5	4	3	2	1	0	(Initial value: ****000000000000)
(01FB7H, 01FB6H)	-	-	-	-	DB	DA	D9	D8	D7	D6	D5	D4	D3	D2	D1	D0	
(01FE7H, 01FE6H)																	

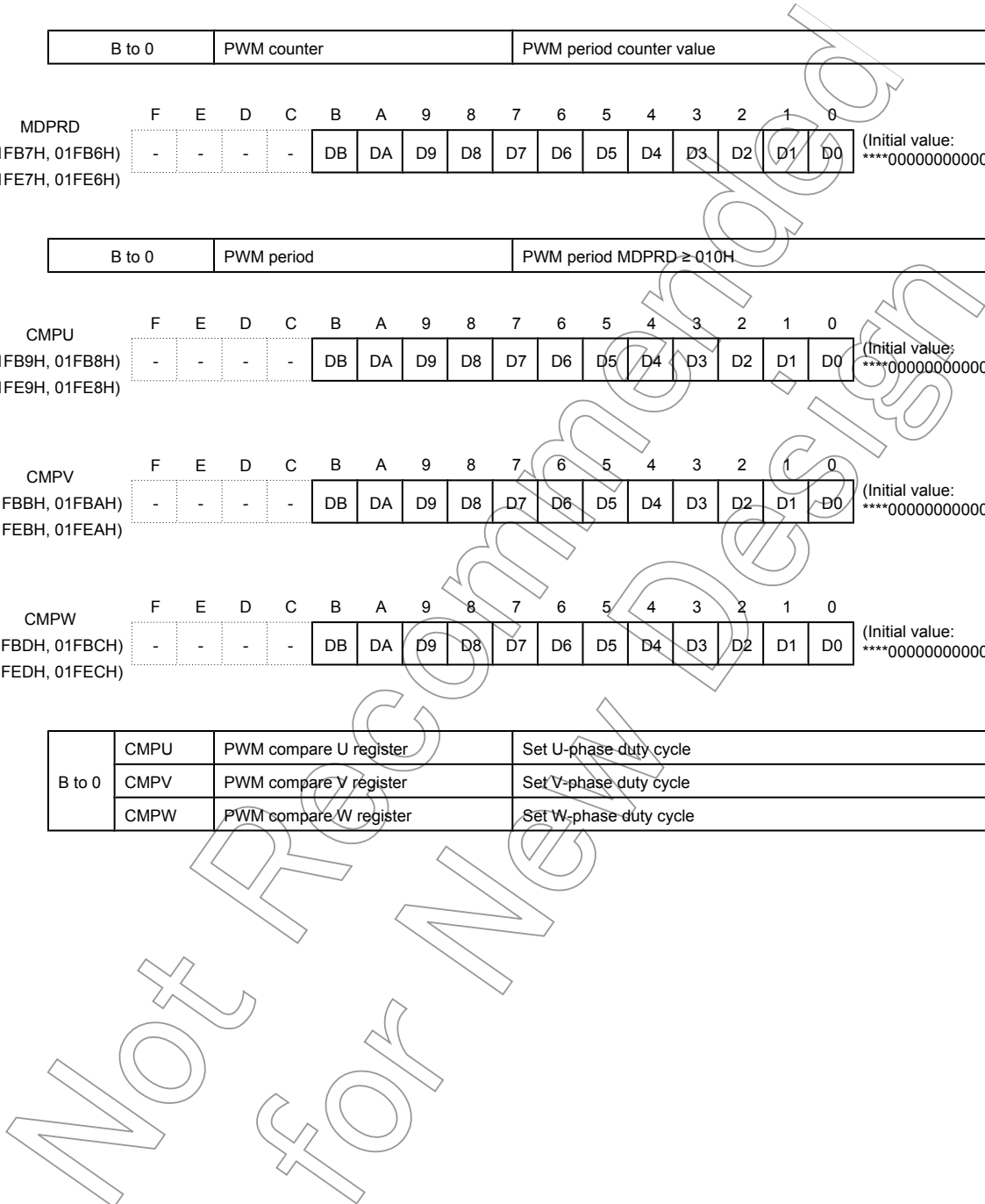
B to 0	PWM period	PWM period MDPRD ≥ 010H	R/W
--------	------------	-------------------------	-----

CMPU	F	E	D	C	B	A	9	8	7	6	5	4	3	2	1	0	(Initial value: ****000000000000)
(01FB9H, 01FB8H)	-	-	-	-	DB	DA	D9	D8	D7	D6	D5	D4	D3	D2	D1	D0	
(01FE9H, 01FE8H)																	

CMPV	F	E	D	C	B	A	9	8	7	6	5	4	3	2	1	0	(Initial value: ****000000000000)
(01FBBH, 01FBAH)	-	-	-	-	DB	DA	D9	D8	D7	D6	D5	D4	D3	D2	D1	D0	
(01FEBH, 01FEAH)																	

CMPW	F	E	D	C	B	A	9	8	7	6	5	4	3	2	1	0	(Initial value: ****000000000000)
(01FBDH, 01FBCH)	-	-	-	-	DB	DA	D9	D8	D7	D6	D5	D4	D3	D2	D1	D0	
(01FEDH, 01FECH)																	

B to 0	CMPU	PWM compare U register	Set U-phase duty cycle	R/W
	CMPV	PWM compare V register	Set V-phase duty cycle	
	CMPW	PWM compare W register	Set W-phase duty cycle	



14.5.4 Protective Circuit

This circuit consists of an EMG protective circuit and overload protective circuit. These circuits are activated by driving their respective port inputs active.

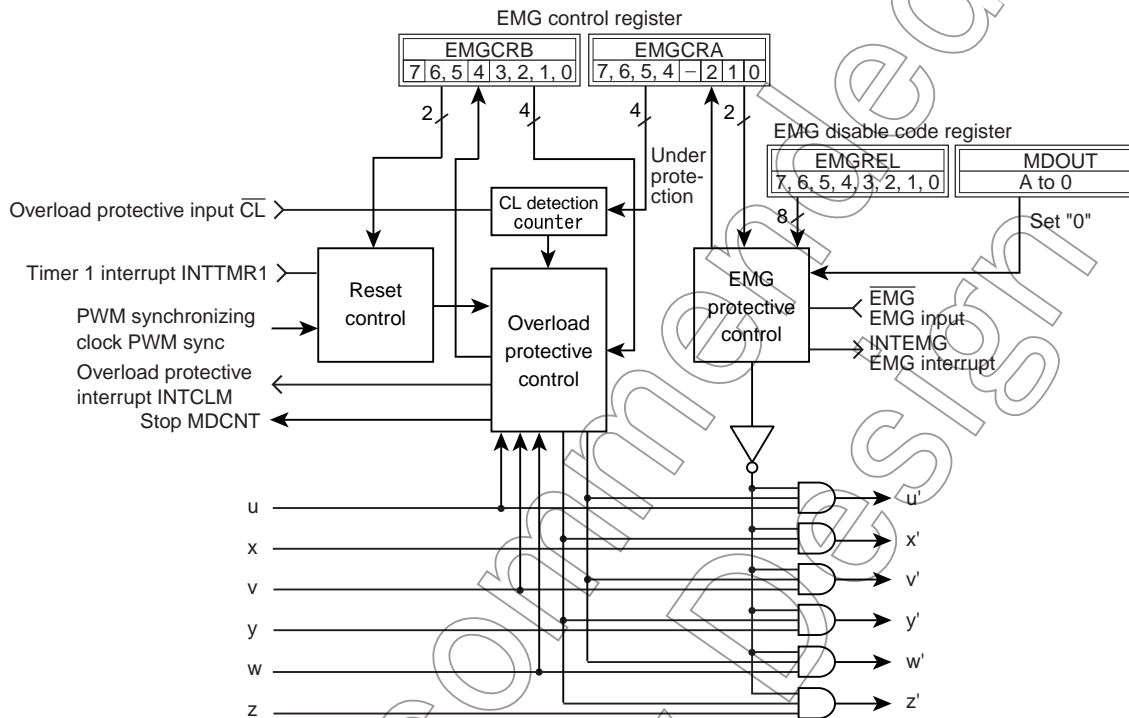


Figure 14-13 Configuration of the Protective Circuit

a. EMG protective circuit

This protective circuit is used for emergency stop, when the EMG protective circuit is enabled. When the signal on EMG input port goes active (negative edge triggered), the six ports are immediately disabled high-impedance against output and an EMG interrupt (INTEMG) is generated. The EMG Control Register (EMGCRA) is used to set EMG protection. If the EMGCRA<EMGST> shows the value “1” when read, it means that the EMG protective circuit is operating. To return from the EMG protective state, reset the MDOUT Register bits A to 0 and set the EMGCRA<RTE> to 1. Returning from the EMG protective state is effective when the EMG protective input has been released back high. To disable the EMG function, set data “5AH” and “A5H” sequentially in the EMG disable Register (EMGREL) and reset the EMGCRA<EMGEN> to 0. When the EMG function is disabled, EMG interrupts (INTEMG) are not generated.

The EMG protective circuit is initially enabled. Before disabling it, fully study on adequacy.

b. Overload protective circuit

The overload protective circuit is set by using the EMG Control Registers (EMGCRA/B). To activate overload protection, set the EMGCRB<CLEN> to 1 to enable the overload protective circuit. The circuit starts operating when the overload protective input is pulled low.

To return from overload state, there are three methods to use: return by a timer (EMGCRB<RTTM1>), return by PWM sync (EMGCRB<RTPWM>), or return manually (EMGCRB<RTCL>). These methods are usable when the overload protective input has been released back high.

The number of times the overload protective input is sampled can be set by using the EMG-CRA<CLCNT>. The sampling times can be set in the range of 1 to 15 times at 200 ns period (when  $f_c = 20$  MHz). If a low level is detected as many times as the specified number, overload protection is assumed.

The output disabled phases during overload protection are set by using the EMGCRB<CLMD>. This facility allows selecting to disable no phases, all phases, PWM phases, or all upper phases/all lower phases. When selected to disable all upper phases/all lower phases, port output is determined by their turn-on status immediately before being disabled. When two or more upper phases are active, all upper phases are turned on and all lower phases are turned off; when two or more lower phases are active, all upper phases are turned off and all lower phases are turned on.

When output phase are cut off, output is inactive (low in the case of high active). When the overload protective circuit is disabled, overload protective interrupts (INTCLM) are not generated.

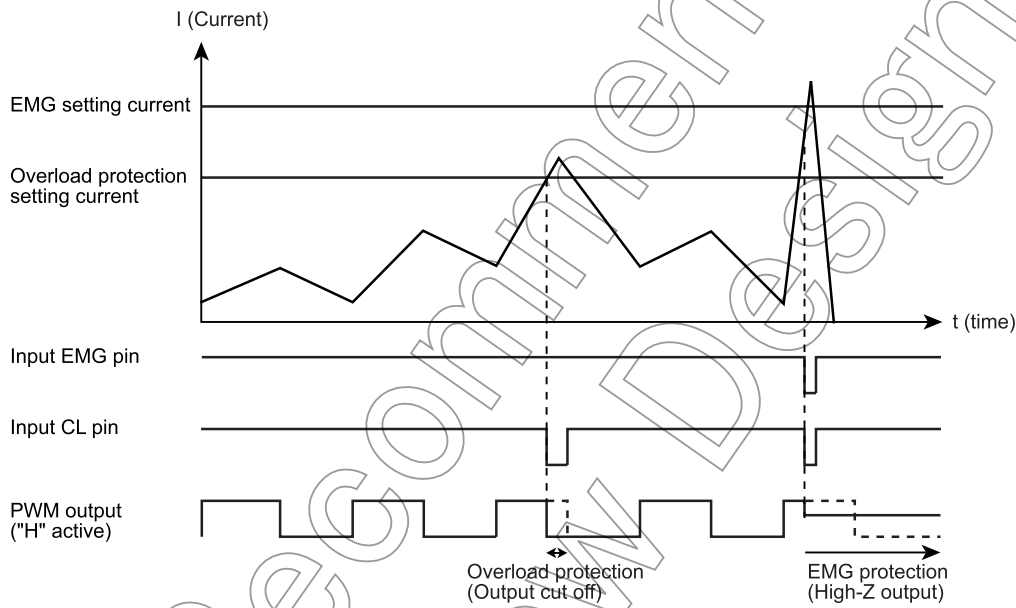


Figure 14-14 Example of Protection Circuit Operation



### 14.5.5 Functions of Protective Circuit Registers

EMGREL	EMG disable	The EMG protective circuit is disabled from the disabled state by writing "5AH" and "A5H" to this register in that order. After that, the EMGCRA Register needs to be set.
--------	-------------	----------------------------------------------------------------------------------------------------------------------------------------------------------------------------

EMGCRB

7	RTCL	Return from overload protective state	When this bit is set to 1, the motor control circuit is returned from overload protective state in software (e.g., by writing to this register). Also, the current state can be known by reading this bit. MDOUT outputs at return from the overload protective state remain as set before the overload protective input was driven active.
6	RTPWM	Return by PWM sync	When this bit is set to 1, the motor control circuit is returned from overload protective state by PWM sync. If RTCL is set to 1, RTCL has priority.
5	RTTM1	Return by timer sync	When this bit is set to 1, the motor control circuit is returned from overload protective state by Timer 1 sync. If RTCL is set to 1, RTCL has priority.
4	CLST	Overload protective state	The status of overload protection can be known by reading this bit.
3, 2	CLMD	Select output disabled phases during overload protection	Select the phases to be disabled against output during overload protection. This facility allows selecting to disable no phases, all phases, PWM phases, or all upper phases/all lower phases.
1	CNTST	Stop counter during overload protection	Can stop the PWM counter during overload protection.
0	CLEN	Enable/Disable overload protection	Enable or disable the overload protective function.

EMGCRA

7 to 4	CLCNT	Overload protection sampling time	Set the length of time the overload protective input port is sampled.
2	EMGST	EMG protective state	The status of EMG protection can be known by reading this bit.
1	RTE	Return from EMG protective state	The motor control circuit is returned from EMG protective state by setting this bit to "1". When returning, set the MDOUT Register A to 0 bits to "0". Then set the EMGCRA Register bit 1 to "1" and set MDOUT waveform output. Then set up the MDCRA Register.
0	EMGEN	Enable/Disable EMG protective circuit	The EMG protective circuit is activated by setting this bit to 1. This circuit initially is enabled. (To disable this circuit, make sure key code 5AH and A5H are written to the EMGREL1 Register beforehand.)

#### Protective Circuit Registers [Addresses (PMD1 and PMD2)]

EMGREL	7	6	5	4	3	2	1	0	
(01FBFH)	D7	D6	D5	D4	D3	D2	D1	D0	(Initial value: 0000 0000)
(01FEFH)									

7 to 0	EMGREL	EMG disable	Can disable by writing 5AH and then A5H.	W
--------	--------	-------------	------------------------------------------	---

Note: Read-modify-write instructions, such as a bit manipulation instruction, cannot access the EMGREL register because this register is write only.

EMGCRB  
(01FB1H)  
(01FE1H)

7	6	5	4	3	2	1	0
RTCL	RTPWM	RTTM1	CLST	CLMD	CNTST	CLEN	

(Initial value: 0000 0000)

7	RTCL	Return from overload protective state	0: No operation 1: Return from protective state	W
6	RTPWM	Enable/Disable return from overload protective state by PWM sync	0: Disable 1: Enable	R/W
5	RTTM1	Enable/Disable return from overload protective state by timer 1	0: Disable 1: Enable	
4	CLST	Overload protective state	0: No operation 1: Under protection	R
3, 2	CLMD	Select output disabled phases during overload protection	00: No phases disabled against output 01: All phases disabled against output 10: PWM phases disabled against output 11: All upper/All lower phases disabled against output (Note)	R/W
1	CNTST	Stop PWM counter during overload protection	0: Do not stop 1: Stop the counter	
0	CLEN	Enable/Disable overload protective circuit	0: Disable 1: Enable	

Note: If during overload protection the port output state in two or more upper phases is on, all lower phases are disabled and all upper phases are enabled for output; when two or more lower phases are on, all upper phases are disabled and all lower phases are enabled for output.

EMGCRA  
(01FB0H)  
(01FE0H)

7	6	5	4	3	2	1	0
CLCNT					EMGST	RTE	EMGEN

(Initial value: 0000 \*001)

7 to 4	CLCNT	Overload protection sampling number of times.	$2^2 f_c \times n$ (n = 1 to 15, 0 and 1 are set as 1 at 20 MHz)	R/W
2	EMGST	EMG protective state	0: No operation 1: Under protection	R
1	RTE	Return from EMG state	0: No operation 1: Return from protective state (Note 1)	W
0	EMGEN	Enable/Disable EMG protective circuit	0: Disable 1: Enable	R/W

Note 1: An instruction specifying a return from the EMG state is invalid if the  $\overline{\text{EMG}}$  input is "L".

Note 2: Read-modify-write instructions, such as a bit manipulation instruction, cannot access the EMGCRB or EMGCRA register because these registers contain write-only bits.

## 14.6 Electrical Angle Timer and Waveform Arithmetic Circuit

### Electrical Angle Timer

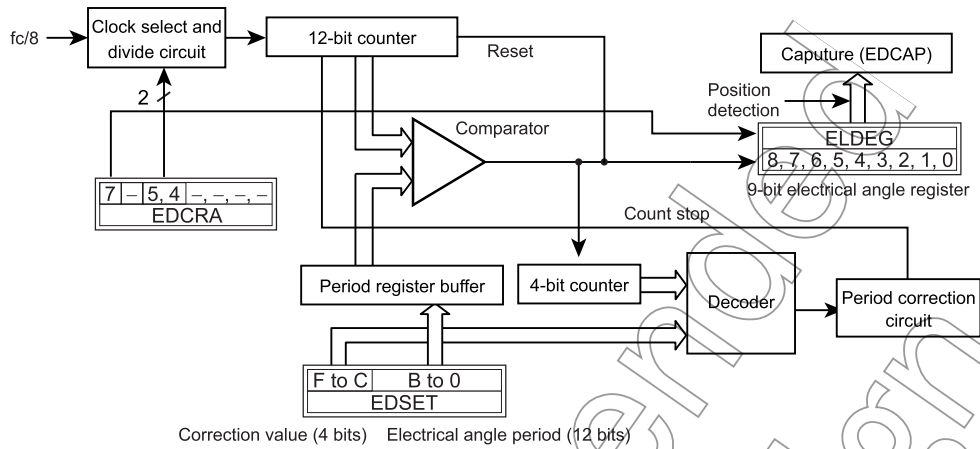


Figure 14-15 Electrical Angle Timer Circuit

### Waveform Arithmetic Circuit

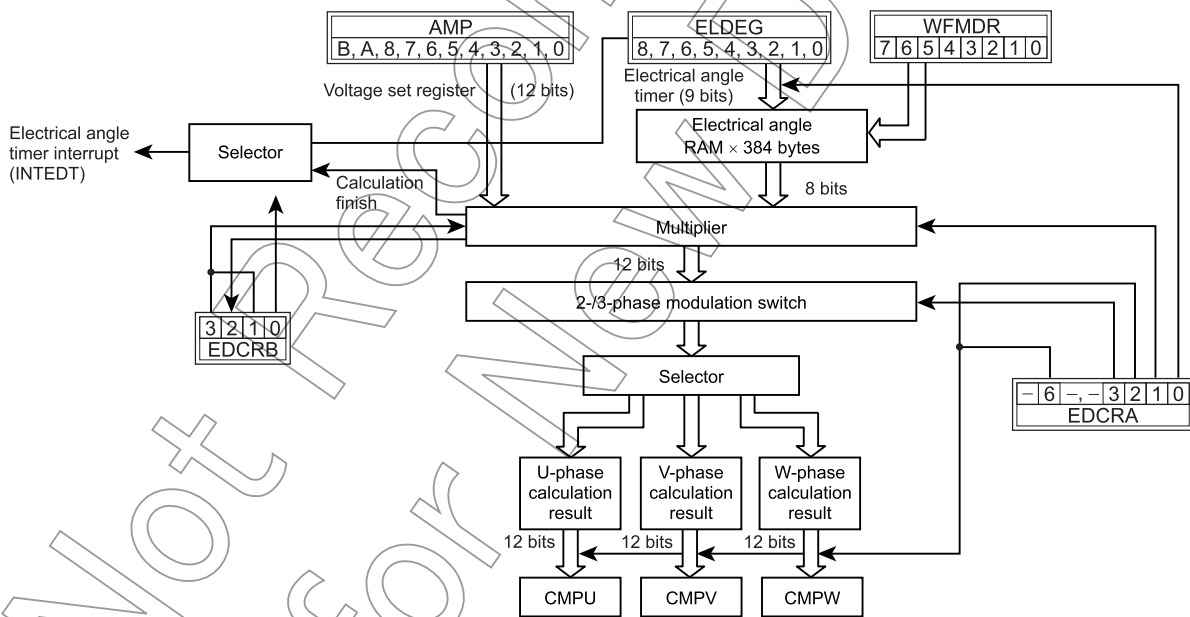


Figure 14-16 Waveform Arithmetic Circuit

### 14.6.1 Electrical Angle Timer and Waveform Arithmetic Circuit

The Electrical Angle Timer finishes counting upon reaching the value set by the Period Set Register (EDSET). The Electrical Angle Timer counts 360 degrees of electrical angle in the range of 0 to 383 (17FH) and is cleared to 0 upon reaching 383. In this way, it is possible to obtain the electrical angle of the frequency proportional to the value set by the Period Set Register. The period with which to count up can be corrected by using the Period Correction Register, allowing for fine adjustment of the frequency. The electrical angles counted by the Electrical Angle Timer are presented to the Waveform Arithmetic Circuit. An electrical angle timer interrupt signal is generated each time the Electrical Angle Timer finishes counting.

The Waveform Arithmetic Circuit has a sine wave data table, which is used to extract sine wave data based on the electrical angle data received from the Electrical Angle Timer. This sine wave data is multiplied by the value of the Voltage Amplitude Register. For 2-phase modulation, the product obtained by this multiplication is presented to the waveform synthesis circuit. For 3-phase modulation, waveform data is further calculated based on the product of multiplication and the electrical angle data and the value of the PWM Period Register. The calculation is performed each time the Electrical Angle Timer finishes counting or when a value is set in the Electrical Angle Register, and the calculation results consisting of the U phase, the V phase (+120 degrees), and the W phase (+240 degrees) are sequentially presented to the PWM waveform output circuit. The sine wave data table is stored in the RAM and requires initialization.

- To correct the period, set the number of times 'n' to be corrected in the Period Correction Register (EDSET Register F to C bits). The period is corrected by adding 1 to electrical angle counts 16 for 'n' times. For example, when a value 3 is set in the Period Correction Register, the period for 13 times out of electrical angle counts 16 is the value "mH" set in the Period Set Register, and that for 3 times is "m + 1H". (Correction is made almost at equal intervals.)
- Because the electrical angle counter (ELDEG) can be accessed even while the Electrical Angle Timer is operating, the electrical angles can be corrected during operation.
- The Electrical Angle Capture EDCAP captures the electrical angle value from the Electrical Angle Counter at the time the position is detected.
- When the waveform calculation function is enabled, waveform calculation is performed each time the electrical angle counter (ELDEG) are accessed for write or the Electrical Angle Timer finishes counting.
- The calculation is performed in 35 machine cycle of execution time, or 7  $\mu$ s (at 20 MHz).
- When transfer of calculation result to the CMP Registers is enabled (EDCRA<RWREN>), the calculation results are transferred to the CMPU to W Registers. (This applies only when the waveform calculation function is enabled with the EDCRA<CALCEN>.) The CMPU to W Registers are disabled against write while the transfer remains enabled. The calculation results can be read from the CMPU to W Registers while the waveform calculation function remains enabled.
- The calculated results can be modified and the modified data can be set in the CMPU to W Registers in software. This makes it possible to output any desired waveform other than sine waves.

If a transfer (EDCRA register bit 2) of the calculated results to the CMP register is disabled, read-accessing the CMPU to W registers can read the calculated results. (Before read-accessing these registers, make sure that the calculation is completed.)

- To initialize the entire RAM data of the sine wave data table, set the addresses at which to set, sequentially from 000H to 17FH, in the ELDEG Register, and write waveform data to the WFMDR Register each time. Make sure the Waveform Arithmetic Circuit is disabled when writing this data.

Note 1: The value set in the Period Set Register (EDSET Register EDT bits) must be equal to or greater than 010H. Any value smaller than this is assumed to be 010H.

Note 2: The sine wave data that is read consists of the U phase, the V phase whose electrical angle is +120 degrees relative to the U phase, and the W phase whose electrical angle is +240 degrees relative to the U phase.

Note 3: If a period corresponding to an electrical angle of one degree is shorter than the required calculation time, the previously calculated results are used.

14.6.1.1 Functions of the Electrical Angle Timer and Waveform Arithmetic Circuit Registers

EDCRB

3	CALCST	Start calculation by software	Forcefully start calculation. When this bit is written while the waveform arithmetic circuit is calculating, the calculation is terminated and then newly started.
2	CALCBSY	Calculation flag	By reading this bit, the operation status of the waveform arithmetic circuit can be obtained.
1	EDCALEN	Enable/disable calculation start synchronized with electrical angle	Select whether to start calculation when the electrical angle timer finishes counting or when a value is set in the electrical angle register. When disabled, calculation is only started when CALCST is set to 1.
0	EDISEL	Electrical angle interrupt	Set the electrical angle interrupt signal request timing to either when the electrical angle timer finishes counting or upon end of calculation.

EDCRA

7	EDCNT	Electrical angle count up/down	Set whether the electrical angle timer counts up or down.
6	EDRV	Select V-, W-phase	Select phase direction of V-phase and W-phase in relation to U-phase.
5, 4	EDCK	Select clock	Select the clock for the electrical angle timer. This setting can be altered even while the electrical angle timer is operating.
3	C2PEN	Switch between 2-phase and 3-phase modulations	Select the modulation method with which to perform waveform calculation. Two-phase modulation: DATA = ramdata (ELDEG) × AMP  Three-phase modulation: $DATA = \frac{MOPRD \pm ramdata(ELDEG) \times AMP}{2}$  Note: The ± sign during 3-phase modulation changes depending on the electrical angle. + for electrical angles 0 to 179 degrees (191) - for electrical angles 180 (192) to 360 (383) degrees
2	RWREN	Auto transfer calculation results to CPM registers	Enable/disable transfer of calculation results by the waveform arithmetic circuit. When the waveform calculation function is enabled while at the same time transfer is enabled, calculation results are set as U, V, and W-phase duty cycles of the PWM generation circuit and are reflected in the ports.
1	CALCEN	Enable/disable waveform calculation function	Enable/disable the waveform calculation function. Calculations are performed by the waveform arithmetic circuit by enabling the waveform calculation function. When the waveform calculation function is enabled, the calculated results can be read from the U, V, and W-phase compare registers (CMPU, V, W) of the PWM generation circuit.
0	EDTEN	Electrical angle timer	Enable/disable the electrical angle timer. When enabled, the electrical angle timer starts counting; when disabled, the electrical angle timer stops counting and is cleared to 0.

EDSET

F to C	EDTH	Correct electrical angle period	Correct the period by adding 1 to electrical angle counts 16 for “n” times. The timer counts the electrical angle period set value “m” for (16 - n) times and counts (m + 1) for “n” times
B to 0	EDT	Electrical angle period	Set the electrical angle period.

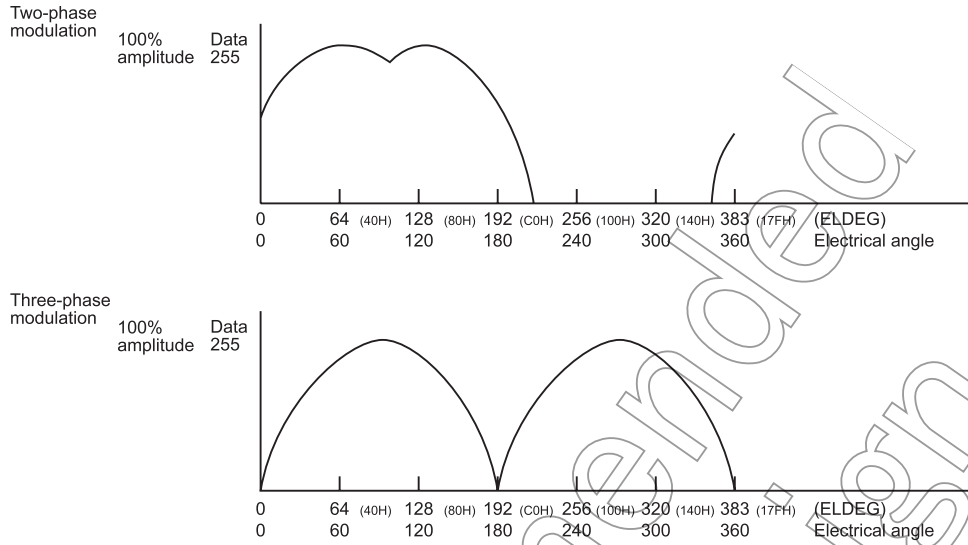
ELDEG	Electrical angle	Read the electrical angle. This register can also be set to initialize or correct the angle while counting. Any value greater than 17FH cannot be set.
-------	------------------	--------------------------------------------------------------------------------------------------------------------------------------------------------

AMP	Set voltage amplitude	Set the voltage amplitude. The waveform arithmetic circuit multiplies the data set here by the sine wave data read out from the sine wave RAM. The amplitude has its upper limit determined by the set value of the MDP RD register when performing this multiplication.
-----	-----------------------	--------------------------------------------------------------------------------------------------------------------------------------------------------------------------------------------------------------------------------------------------------------------------

EDCAP	Capture electrical angle	Capture the value from the electrical angle timer when the position is detected.
-------	--------------------------	----------------------------------------------------------------------------------

WFMDR	Set sine wave data	To initialize the entire RAM data of the sine wave table, set the addresses at which to set, sequentially from 000H to 17FH, in the ELDEG register, and write waveform data to the WFMDR register each time. Make sure the waveform arithmetic circuit is disabled when writing this data.
-------	--------------------	--------------------------------------------------------------------------------------------------------------------------------------------------------------------------------------------------------------------------------------------------------------------------------------------

Typical Settings of Sine Wave Data



Note: During 3-phase modulation, the sign changes at 180 degrees of electrical angle.

Figure 14-17 Typical Settings of Sine Wave Data

List of the Electrical Angle Timer and Waveform Arithmetic Circuit Registers [Addresses (PMD1 and PMD2)]

EDCRB	7	6	5	4	3	2	1	0	
(01FC1H)	-	-	-	-	CALCST	CALCBSY	EDCALEN	EDISEL	(Initial value: **** 0000)
(01FF1H)									

3	CALCST	Start calculation by software	0: No operation 1: Start calculation	W
2	CALCBSY	Calculation flag	0: Waveform Arithmetic Circuit stopped 1: Waveform Arithmetic Circuit calculating	R
1	EDCALEN	Enable/disable calculation start synchronized with electrical angle	0: Start calculation insync with electrical angle 1: Do not calculation insync with electrical angle	R/W
0	EDISEL	Electrical angle interrupt	0: Interrupt when the Electrical Angle Timer finishes counting 1: Interrupt upon end of calculation	

Note: Read-modify-write instructions, such as a bit manipulation instruction, cannot access the EDCRB register because this register is write only.

EDCRA (01FC0H) (01FF0H)	7	6	5	4	3	2	1	0	(Initial value: 0000 0000)
	EDCNT	EDRV	EDCK	C2PEN	RWREN	CALCEN	EDTEN		

7	EDCNT	Electrical angle count up/down	0: Count up 1: Count down	R/W
6	EDRV	Select V-, W-phase	0: V = U + 120°, W = U + 240° 1: V = U - 120°, W = U - 240°	
5, 4	EDCK	Select clock	00: fc/2 <sup>3</sup> (400 ns at 20 MHz) 01: fc/2 <sup>4</sup> (800 ns at 20 MHz) 10: fc/2 <sup>5</sup> (1.6 μs at 20 MHz) 11: fc/2 <sup>6</sup> (3.2 μs at 20 MHz)	
3	C2PEN	Switch between 2-/3-phase modulations	0: 2-phase modulation 1: 3-phase modulation	
2	RWREN	Transfer calculation result to CMP registers	0: Disable 1: Enable	
1	CALC	Enable/disable waveform calculation function	0: Disable 1: Enable	
0	EDTEN	Electrical angle Enable/disable mode timer	0: Disable 1: Enable	

Note: When changing the EDCRA<EDCK> setting, keep the EDCRA<EDTEN> bit reset "0" (Disable electrical angle timer).

EDSET (01FC3H, 01FC2H) (01FF3H, 01FF2H)	F	E	D	C	B	A	9	8	7	6	5	4	3	2	1	0	(Initial value: 00000000 00010000)
	EDTH						EDT										

F to C	EDTH	Correct period (n)	0 to 15 times	R/W
B to 0	EDT	Set period (m)	≥ 010H	

One period of the Electrical Angle Timer, T, is expressed by the equation below.

$$T = \left(m + \frac{n}{16}\right) \times 384 \times \text{set clock [s]} \quad \text{where } m = \text{set period, } n = \text{period correction}$$

ELDEG		F	E	D	C	B	A	9	8	7	6	5	4	3	2	1	0
(01FC5H, 01FC4H)		-	-	-	-	-	-	-	D8	D7	D6	D5	D4	D3	D2	D1	D0
(01FF5H, 01FF4H)																	

(Initial value: \*\*\*\*\*0 00000000)

8 to 0	ELDEG	Electrical angle	Set the Initially and the count values of electrical angle.	R/W
--------	-------	------------------	-------------------------------------------------------------	-----

AMP		F	E	D	C	B	A	9	8	7	6	5	4	3	2	1	0
(01FC7H, 01FC6H)		-	-	-	-	DB	DA	D9	D8	D7	D6	D5	D4	D3	D2	D1	D0
(01FF7H, 01FF6H)																	

(Initial value: \*\*\*\*0000 00000000)

B to 0	AMP	Set voltage	Set the voltage to be used during waveform calculation.	R/W
--------	-----	-------------	---------------------------------------------------------	-----

EDCAP		F	E	D	C	B	A	9	8	7	6	5	4	3	2	1	0
(01FC9H, 01FC8H)		-	-	-	-	-	-	-	D8	D7	D6	D5	D4	D3	D2	D1	D0
(01FF9H, 01FF8H)																	

(Initial value: \*\*\*\*\*0 00000000)

8 to 0	EDCAP	Captured value of electrical angle	Electrical angle timer value when position is detected.	R
--------	-------	------------------------------------	---------------------------------------------------------	---

WFMDR		7	6	5	4	3	2	1	0
(01FCAH)		D7	D6	D5	D4	D3	D2	D1	D0
(01FFAH)									

(Initial value: \*\*\*\*\*)

7 to 0	WFMDR	Sine wave data	Write sine wave data to RAM of sine wave	W
--------	-------	----------------	------------------------------------------	---

Note: Read-modify-write instructions, such as a bit manipulation instruction, cannot access the WFMDR register because this register is write only.

Not Recommended for New Design



14.6.1.2 List of PMD Related Control Registers

(1) Input/output Pins and Input/output Control Registers

PMD1 Input/Output Pins (P3, P4) and Port Input/Output Control Registers (P3CR, P4CR)

Name	Address	Bit	R or W	Description
P3DR	00003H	7	R/W	Overload protection ( $\overline{CL1}$ )
		6	R/W	EMG input (EMG1)
		5 to 0	R/W	U1/V1/W1/X1/Y1/Z1 outputs.
P4DR	00004H	2 to 0	R/W	Position signal inputs (PDU1, PDV1, PDW1).
P3CR	01F89H	7 to 0	R/W	P3 port input/output control (can be set bitwise). 0: Input mode 1: Output mode
P4CR	01F8AH	2, 1, 0	R/W	P0 port input/output control (can be set bitwise). 0: Input mode 1: Output mode

PMD2 Input/Output Pins (P5, P1) and Port Input/Output Control Registers (P5CR, P1CR)

Name	Address	Bit	R or W	Description
P5DR	00005H	0	R/W	Overload protection (CL2)
		1	R/W	EMG input (EMG2)
		2 to 7	R/W	U2/V2/W2/X2/Y2/Z2 outputs.
P1DR	00001H	5 to 7	R/W	Position signal inputs (PDU2, PDV2, PDW2).
P5CR	01F8BH	7 to 0	R/W	P3 port input/output control (can be set bitwise). 0: Input mode 1: Output mode
P1CR	0000BH	5, 6, 7	R/W	P0 port input/output control (can be set bitwise). 0: Input mode 1: Output mode

Note: When using these pins as PMD function or input port, set the Output Latch (P\*DR) to 1.

Example of the PMD Pin Port Setting

	Input/Output	P3DR	P3CR	P4DR	P4CR
CL1	Input	*	0	-	-
EMG1	Input	*	0	-	-
U1	Output	1	1	-	-
PDU1	Input	-	-	*	0

	Input/Output	P5DR	P5CR	P1DR	P1CR
CL2	Input	*	0	-	-
EMG2	Input	*	0	-	-
U2	Output	1	1	-	-
PDU2	Input	-	-	*	0

## (2) Motor Control Circuit Control Registers [Address Upper Stage: PMD1, Lower Stage: PMD2]

## Position Detection Control Register (PDCR) and Sampling Delay Register (SDREG)

Name	Address	Bit	R or W	Description
PDCRC	01FA2H 01FD2H	5, 4	R	Detect the position-detected position. 00: Within the current pulse 01: When PWM is off 10: Within the current pulse 11: Within the preceding pulse
		3	R	Monitor the sampling status. 0: Sampling idle 1: Sampling in progress
		2 to 0	R	Holds the status of the position signal input during unmatch detection mode. Bits 2, 1, and 0: W, V, and U phases
PDCRB	01FA1H 01FD1H	7, 6	R/W	Select the sampling input clock [Hz]. 00: $fc/2^2$ 01: $fc/2^3$ 10: $fc/2^4$ 11: $fc/2^5$
		5, 4	R/W	Sampling mode. 00: When PWM is on 01: Regularly 10: When lower phases are turned on
		3 to 0	R/W	Detection position match counts 1 to 15.
PDCRA	01FA0H 01FD0H	7	W	0: No operation 1: Stop sampling in software
		6	W	0: No operation 1: Start sampling in software
		5	R/W	Stop sampling using Timer 3. 0: Disable 1: Enable
		4	R/W	Start sampling using Timer 2. 0: Disable 1: Enable
		3	R/W	Number of position signal input pins. 0: Compare three pins (PDU/PDV/PDW) 1: Compare one pin (PDU) only
		2	R/W	Count occurrences of matching when PWM is on. 0: Subsequent to matching counts when PWM previously was on 1: Recount occurrences of matching each time PWM is on
		1	R/W	Position detection mode. 0: Ordinary mode 1: Unmatch detection mode
		0	R/W	Enable/Disable position detection function. 0: Disable 1: Enable (Sampling starts)
SDREG	01FA3H 01FD3H	6 to 0	R/W	Sampling delay. $2^3 \times n$ bits ( $n = 0$ to 6, maximum 50.8 $\mu$ s at 20 MHz).

Mode Timer Control Register (MTCR), Mode Capture Register (MCAP), and Compare Registers (CMP1, CMP2, CMP3)

Name	Address	Bit	R or W	Description
MTCRB	01FA5H 01FD5H	7	R/W	Debug output. 0: Disable 1: Enable (P67 for PMD1, P77 for PMD2)
		5	R	Mode timer overflow. 0: No overflow 1: Overflowed occurred
		3	R/W	Capture mode timer by overload protection. 0: Disable 1: Enable
		2	W	Capture mode timer by software. 0: No operation 1: Capture
		1	R/W	Capture mode timer by position detection. 0: Disable 1: Enable
MTCRA	01FA4H 01FD4H	7, 6, 5	R/W	Select clock for mode timer [Hz]. 000: $fc/2^3$ (400 ns at 20 MHz) 010: $fc/2^4$ (800 ns at 20 MHz) 100: $fc/2^5$ (1.6 $\mu$ s at 20 MHz) 110: $fc/2^6$ (3.2 $\mu$ s at 20 MHz) 001: $fc/2^7$ (6.4 $\mu$ s at 20 MHz) 011: Reserved 101: Reserved 111: Reserved
		4	R/W	Reset timer by Timer 3. 0: Disable 1: Enable
		3	R/W	Reset timer by overload protection. 0: Disable 1: Enable
		2	W	Reset timer by software. 0: No operation 1: Reset
		1	R/W	Reset timer by position detection. 0: Disable 1: Enable
		0	R/W	Enable/Disable mode timer. 0: Disable 1: Enable (timer starts)
		MCAP	01FA7H, 01FA6H 01FD7H, 01FD6H	F to 0
CMP1	01FA9H, 01FA8H 01FD9H, 01FD8H	F to 0	R/W	Compare Register 1.
CMP2	01FABH, 01FAAH 01FDBH, 01FDAH	F to 0	R/W	Compare Register 2.
CMP3	01FADH, 01FACH 01FDDH, 01FDCH	F to 0	R/W	Compare Register 3.

## PMD Control Register (MDCR), Dead Time Register (DTR), and PMD Output Register (MDOUT)

Name	Address	Bit	R or W	Description
MDCRB	01FAFH 01FDFH	1, 0	R/W	Select clock for PWM counter. 00: $fc/2$ (100 ns at 20 MHz) 01: $fc/2^2$ (200 ns at 20 MHz) 10: $fc/2^3$ (400 ns at 20 MHz) 11: $fc/2^4$ (800 ns at 20 MHz)
MDCRA	01FAEH 01FDEH	7	R/W	Select half-period interrupt 0: Interrupt every period as specified in PINT. 1: Interrupt every half-period only PINT=00.
		6	R/W	DUTY mode. 0: U phase in common 1: Three phases independent
		5	R/W	Upper-phase port polarity. 0: Active low 1: Active high
		4	R/W	Lower-phase port polarity. 0: Active low 1: Active high
		3, 2	R/W	Select PWM interrupt (trigger). 00: Interrupt once every period 01: Interrupt once 2 periods 10: Interrupt once 4 periods 11: Interrupt once 8 periods
		1	R/W	PWM mode. 0: PWM mode0 (edge: sawtooth wave) 1: PWM mode1 (center: triangular wave)
		0	R/W	Enable/disable waveform synthesis function. 0: Disable 1: Enable (waveform output)
DTR	01FBEH 01FEEH	5 to 0	R/W	Set dead time. $2^3/fc \times 6\text{bit}$ (maximum 25.2 $\mu\text{s}$ at 20 MHz).
MDOUT	01FB3H, 01FB2H 01FE3H, 01FE2H	F	R	0: Count up 1: Count down
		E, D, C	R/W	Comparison register for position detection. 6: W 5: V 4: U
		B	R/W	Select PWM synchronization. 0: Asynchronous with PWM period 1: Synchronized
		A	R/W	W-phase PWM output. 0: H/L level output 1: PWM waveform output
		9	R/W	V-phase PWM output. 0: H/L level output 1: PWM waveform output
		8	R/W	U-phase PWM output. 0: H/L level output 1: PWM waveform output
		7, 6	R/W	Select port output synchronizing signal. 00: Asynchronous 01: Synchronized to position detection 10: Synchronized to Timer 1 11: Synchronized to Timer 2
		5, 4	R/W	Control W-phase output
		3, 2	R/W	Control V-phase output
		1, 0	R/W	Control U-phase output

PWM Counter (MDCNT), PMD Period Register (MDPRD), and PMD Compare Registers (CMPU, CMPV, CMPW)

Name	Address	Bit	R or W	Description
MDCNT	01FB5H, 01FB4H 01FE5H, 01FE4H	B to 0	R	Read the PWM period counter value.
MDPRD	01FB7H, 01FB6H 01FE7H, 01FE6H	B to 0	R/W	PWM period MDPRD $\geq$ 010H.
CMPU	01FB9H, 01FB8H 01FE9H, 01FE8H	B to 0	R/W	Set U-phase PWM duty cycle.
CMPV	01FBBH, 01FBAH 01FEBH, 01FEAH	B to 0	R/W	Set V-phase PWM duty cycle.
CMPW	01FBDH, 01FBCH 01FEDH, 01FECH	B to 0	R/W	Set W-phase PWM duty cycle.

EMG Disable Code Register (EMGREL) and EMG Control Register (EMGCR)

Not Recommended for New Design

Name	Address	Bit	R or W	Description
EMGREL	01FBFH 01FEFH	7 to 0	W	Code input for disable EMG protection circuit. Can be disable by writing 5AH and then A5H.
EMGCRB	01FB1H 01FE1H	7	W	Return from overload protective state. 0: No operation 1: Return from protective state
		6	R/W	Condition for returning from overload protective state: Synchronized to PWM. 0: Disable 1: Enable
		5	R/W	Enable/Disable return from overload protective state by timer 1. 0: Disable 1: Enable
		4	R	Overload protective state. 0: No operation 1: Under protection
		3, 2	R/W	Select output disabled phases during overload protection. 00: No phases disabled against output 01: All phases disabled against output 10: PWM phases disabled against output 11: All upper/All lower phases disabled against output
		1	R/W	Stop PWM counter (MDCNT) during overload protection. 0: Do not stop 1: Stop
		0	R/W	Enable/Disable overload protective circuit. 0: Disable 1: Enable
		EMGCRA	01FB0H 01FE0H	7 to 4
2	R			EMG protective state. 0: No operation 1: Under protection
1	W			Return from EMG protective state. 0: No operation 1: Return from protective state
0	R/W			Enable/Disable function of the EMG protective circuit. 0: Disable 1: Enable (This circuit initially is enabled (= 1). To disable this circuit, make sure key code 5AH and A5H are written to the EMGREL1 Register beforehand.)

Electrical Angle Control Register (EDCR), Electrical Angle Period Register (EDSET), Electrical Angle Set Register (ELDEG), Voltage Set Register (AMP), and Electrical Angle Capture Register (EDCAP).

Name	Address	Bit	R or W	Description
EDCRB	01FC1H 01FF1H	3	W	0: No operation 1: Start calculation
		2	R	0: Waveform Arithmetic Circuit stopped 1: Waveform Arithmetic Circuit calculation
		1	R/W	0: Start calculation insync with electrical angle 1: Do not calculation insync with electrical angle
		0	R/W	0: Interrupt when the Electrical Angle Timer finishes counting 1: Interrupt upon end of calculation
EDCRA	01FC0H 01FF0H	7	R/W	0: Count up 1: Count down
		6	R/W	0: $V = U + 120^\circ$ , $W = U + 240^\circ$ 1: $V = U - 120^\circ$ , $W = U - 240^\circ$
		5, 4	R/W	Select clock. 00: $fc/2^3$ 01: $fc/2^4$ 10: $fc/2^5$ 11: $fc/2^6$
		3	R/W	Switch between 2/3-phase modulations. 0: Two-phase modulation 1: Three-phase modulation
		2	R/W	Transfer calculation result to CMP registers. 0: Disable 1: Enable
		1	R/W	Enable/disable waveform calculation function. 0: Disable 1: Enable
		0	R/W	Electrical angle timer. 0: Disable 1: Enable
EDSET	01FC3H, 01FC2H 01FF3H, 01FF2H	F to C	R/W	Correct period (n) 0 to 15 times.
		B to 0	R/W	(Set period (1/m counter) $\geq$ 010H)
ELDEG	01FC5H, 01FC4H 01FF5H, 01FF4H	8 to 0	R/W	Initially set and count values of electrical angle.
AMP	01FC7H, 01FC6H 01FF7H, 01FF6H	B to 0	R/W	Set voltage used during waveform calculation.
EDCAP	01FC9H, 01FC8H 01FF9H, 01FF8H	8 to 0	R	Electrical angle timer value when position is detected.
WFMDR	01FCAH 01FFAH	7 to 0	W	Set sine wave data.

Not Recommended  
for New Design



## 15. Asynchronous Serial interface (UART1)

The TMP88FW45AFG has an asynchronous serial interface (UART). It can connect the peripheral circuits through TXD and RXD pin. TXD and RXD pin are also used as the general port. For TXD pin, the corresponding general port should be set output mode (Set its output control register to "1" after its output port latch to "1"). For RXD pin, should be set input mode.

The asynchronous serial interface (UART1) can select the connection pin with the peripheral circuits. RXD1 and TXD1 correspond to P44 and P45 pins, RXD2 and TXD2 are to P00 and P01 pins. But the synchronous serial interface (SIO) also uses P44 and P45 pins, therefore these P44 and P45 are not available for UART when SIO is on working.

### 15.1 Configuration

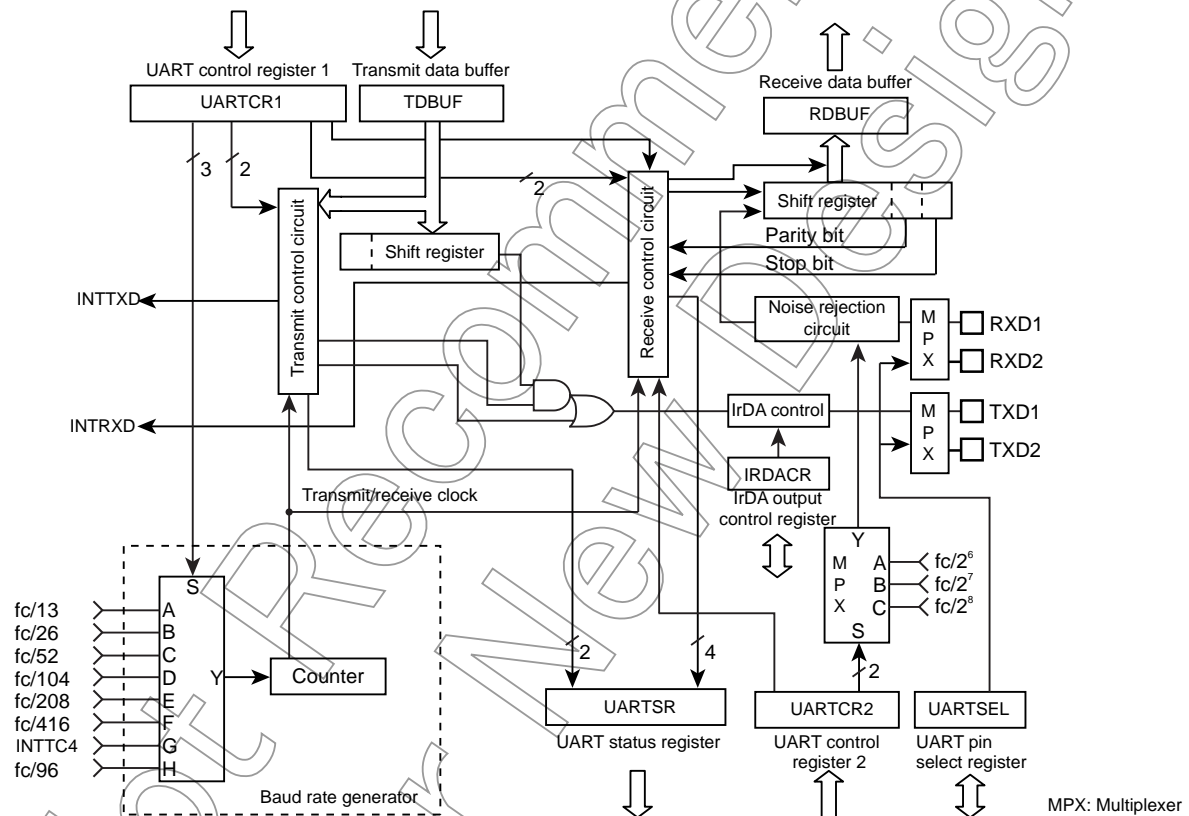


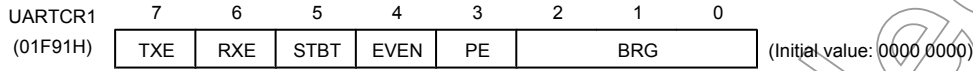
Figure 15-1 UART1 (Asynchronous Serial Interface)

## 15.2 Control

UART1 is controlled by the UART1 Control Registers (UARTCR1, UARTCR2). The operating status can be monitored using the UART status register (UARTSR).

TXD pin and RXD pin can be selected a port assignment by UART Pin Select Register (UARTSEL).

### UART1 Control Register1



TXE	Transfer operation	0: Disable 1: Enable	Write only
RXE	Receive operation	0: Disable 1: Enable	
STBT	Transmit stop bit length	0: 1 bit 1: 2 bits	
EVEN	Even-numbered parity	0: Odd-numbered parity 1: Even-numbered parity	
PE	Parity addition	0: No parity 1: Parity	
BRG	Transmit clock select	000: fc/13 [Hz] 001: fc/26 010: fc/52 011: fc/104 100: fc/208 101: fc/416 110: Input INTTC4 111: fc/96	

Note 1: When operations are disabled by setting UARTCR1<TXE and RXE> bits to "0", the setting becomes valid when data transmit or receive complete. When the transmit data is stored in the transmit data buffer, the data are not transmitted. Even if data transmit is enabled, until new data are written to the transmit data buffer, the current data are not transmitted.

Note 2: The transmit clock and the parity are common to transmit and receive.

Note 3: UARTCR1<RXE> and UARTCR1<TXE> should be set to "0" before UARTCR1<BRG> is changed.

Note 4: In case fc = 20MHz, the timer counter 4 (TC4) is available as a baud rate generator.

### UART1 Control Register2



RXDNC	Selection of RXD input noise rejection time	00: No noise rejection (Hysteresis input) 01: Rejects pulses shorter than 31/fc [s] as noise 10: Rejects pulses shorter than 63/fc [s] as noise 11: Rejects pulses shorter than 127/fc [s] as noise	Write only
STOPBR	Receive stop bit length	0: 1 bit 1: 2 bits	

Note 1: Settings of RXDNC are limited depending on the transfer clock specified by BRG. The combination "0" is available but please do not select the combination "-". The transfer clock is calculated by the following equation : Transfer clock [Hz] = INTTC4 source clock [Hz] ÷ TC4DR set value

BRG setting	Transfer clock [Hz]	RXDNC setting			
		00 (No noise rejection)	01 (Reject pulses shorter than 31/fc[s] as noise)	10 (Reject pulses shorter than 63/fc[s] as noise)	11 (Reject pulses shorter than 127/fc[s] as noise)
000	fc/13	0	0	0	-
110 (When the transfer clock generated by timer/counter interrupt is the same as the right side column)	fc/8	0	-	-	-
	fc/16	0	0	-	-
	fc/32	0	0	0	-
The setting except the above		0	0	0	0

**UART1 Status Register**

UARTSR (01F91H)

7	6	5	4	3	2	1	0
PERR	FERR	OERR	RBFL	TEND	TBEP		

(Initial value: 0000 11\*\*)

PERR	Parity error flag	0: No parity error 1: Parity error	Read only
FERR	Framing error flag	0: No framing error 1: Framing error	
OERR	Overrun error flag	0: No overrun error 1: Overrun error	
RBFL	Receive data buffer full flag	0: Receive data buffer empty 1: Receive data buffer full	
TEND	Transmit end flag	0: On transmitting 1: Transmit end	
TBEP	Transmit data buffer empty flag	0: Transmit data buffer full (Transmit data writing is finished) 1: Transmit data buffer empty	

Note: When an INTTXD is generated, TBEP flag is set to "1" automatically.

**UART1 Receive Data Buffer**

RDBUF (01F93H)

7	6	5	4	3	2	1	0

Read only (Initial value: 0000 0000)

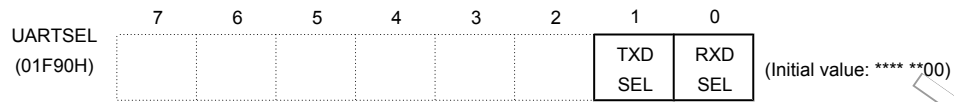
**UART1 Transmit Data Buffer**

TDBUF (01F93H)

7	6	5	4	3	2	1	0

Write only (Initial value: 0000 0000)

## UART Pin Select Register



RXDSEL	RXD connect pin select	0: RXD1 1: RXD2	R/W
TXDSEL	TXD connect pin select	0: TXD1 1: TXD2	

Note 1: Do not change UARTSEL register during UART operation.

Note 2: Set UARTSEL register before performing the setting terminal of a I/O port when changing a terminal.

Not Recommended for New Design

### 15.3 Transfer Data Format

In UART1, an one-bit start bit (Low level), stop bit (Bit length selectable at high level, by UARTCR1<STBT>), and parity (Select parity in UARTCR1<PE>; even- or odd-numbered parity by UARTCR1<EVEN>) are added to the transfer data. The transfer data formats are shown as follows.

PE	STBT	Frame Length									
		1	2	3	4	5	6	7	8	9	10
0	0										
0	1										
1	0										
1	1										

Figure 15-2 Transfer Data Format

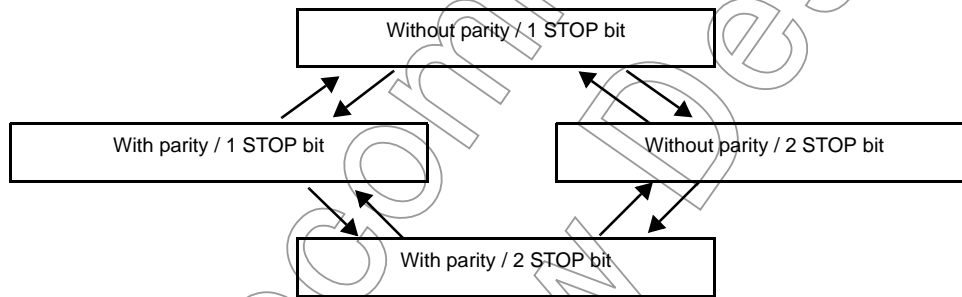


Figure 15-3 Caution on Changing Transfer Data Format

Note: In order to switch the transfer data format, perform transmit operations in the above Figure 15-3 sequence except for the initial setting.

## 15.4 Transfer Rate

The baud rate of UART1 is set of UARTCR1<BRG>. The example of the baud rate are shown as follows.

Table 15-1 Transfer Rate (Example)

BRG	Source Clock	
	16 MHz	8 MHz
000	76800 [baud]	38400 [baud]
001	38400	19200
010	19200	9600
011	9600	4800
100	4800	2400
101	2400	1200

When INTTC4 is used as the UART1 transfer rate (when UARTCR1<BRG>="110"), the transfer clock and transfer rate are determined as follows:

Transfer clock [Hz] = TC4 source clock [Hz] / TC4DR setting value

Transfer Rate [baud] = Transfer clock [Hz] / 16

## 15.5 Data Sampling Method

The UART1 receiver keeps sampling input using the clock selected by UARTCR1<BRG> until a start bit is detected in RXD pin input. RT clock starts detecting "L" level of the RXD pin. Once a start bit is detected, the start bit, data bits, stop bit(s), and parity bit are sampled at three times of RT7, RT8, and RT9 during one receiver clock interval (RT clock). (RT0 is the position where the bit supposedly starts.) Bit is determined according to majority rule (The data are the same twice or more out of three samplings).

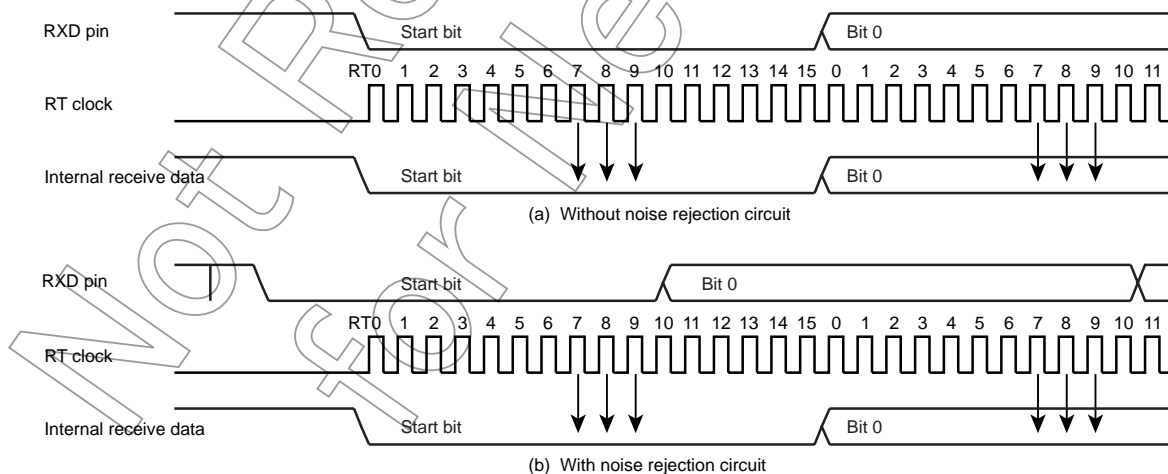


Figure 15-4 Data Sampling Method

## 15.6 STOP Bit Length

Select a transmit stop bit length (1 bit or 2 bits) by UARTCR1<STBT>.

## 15.7 Parity

Set parity / no parity by UARTCR1<PE> and set parity type (Odd- or Even-numbered) by UARTCR1<EVEN>.

## 15.8 Transmit/Receive Operation

### 15.8.1 Data Transmit Operation

Set UARTCR1<TXE> to “1”. Read UARTSR to check UARTSR<TBEP> = “1”, then write data in TDBUF (Transmit data buffer). Writing data in TDBUF zero-clears UARTSR<TBEP>, transfers the data to the transmit shift register and the data are sequentially output from the TXD pin. The data output include a one-bit start bit, stop bits whose number is specified in UARTCR1<STBT> and a parity bit if parity addition is specified. Select the data transfer baud rate using UARTCR1<BRG>. When data transmit starts, transmit buffer empty flag UARTSR<TBEP> is set to “1” and an INTTXD interrupt is generated.

While UARTCR1<TXE> = “0” and from when “1” is written to UARTCR1<TXE> to when send data are written to TDBUF, the TXD pin is fixed at high level. When transmitting data, first read UARTSR, then write data in TDBUF. Otherwise, UARTSR<TBEP> is not zero-cleared and transmit does not start.

### 15.8.2 Data Receive Operation

Set UARTCR1<RXE> to “1”. When data are received via the RXD pin, the receive data are transferred to RDBUF (Receive data buffer). At this time, the data transmitted includes a start bit and stop bit(s) and a parity bit if parity addition is specified. When stop bit(s) are received, data only are extracted and transferred to RDBUF (Receive data buffer). Then the receive buffer full flag UARTSR<RBFL> is set and an INTRXD interrupt is generated. Select the data transfer baud rate using UARTCR1<BRG>.

If an overrun error (OERR) occurs when data are received, the data are not transferred to RDBUF (Receive data buffer) but discarded; data in the RDBUF are not affected.

Note: When a receive operation is disabled by setting UARTCR1<RXE> bit to “0”, the setting becomes valid when data receive is completed. However, if a framing error occurs in data receive, the receive-disabling setting may not become valid. If a framing error occurs, be sure to perform a re-receive operation.

## 15.9 Status Flag

### 15.9.1 Parity Error

When parity determined using the receive data bits differs from the received parity bit, the parity error flag UARTSR<PERR> is set to “1”. The UARTSR<PERR> is cleared to “0” when the RDBUF is read after reading the UARTSR.

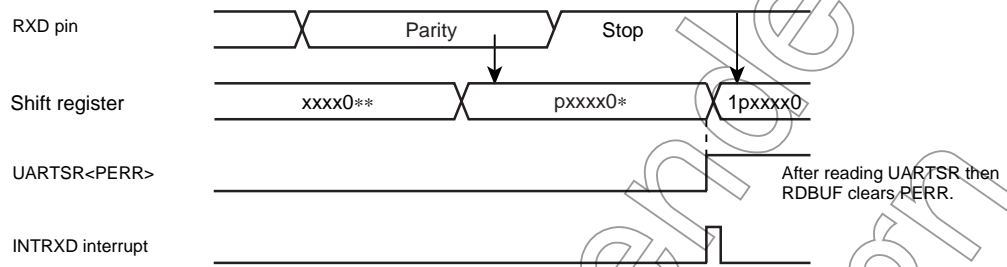


Figure 15-5 Generation of Parity Error

### 15.9.2 Framing Error

When “0” is sampled as the stop bit in the receive data, framing error flag UARTSR<FERR> is set to “1”. The UARTSR<FERR> is cleared to “0” when the RDBUF is read after reading the UARTSR.

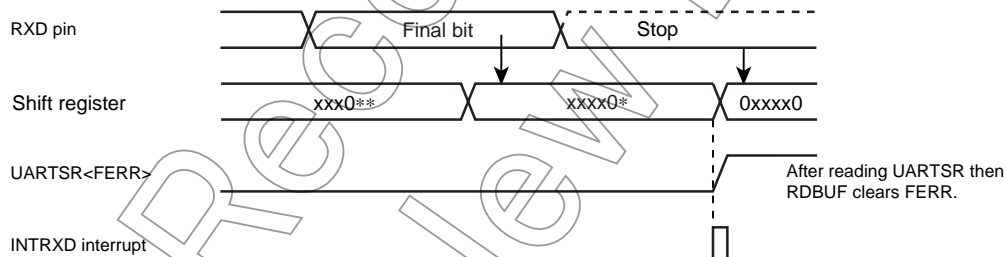


Figure 15-6 Generation of Framing Error

### 15.9.3 Overrun Error

When all bits in the next data are received while unread data are still in RDBUF, overrun error flag UARTSR<OERR> is set to “1”. In this case, the receive data is discarded; data in RDBUF are not affected. The UARTSR<OERR> is cleared to “0” when the RDBUF is read after reading the UARTSR.



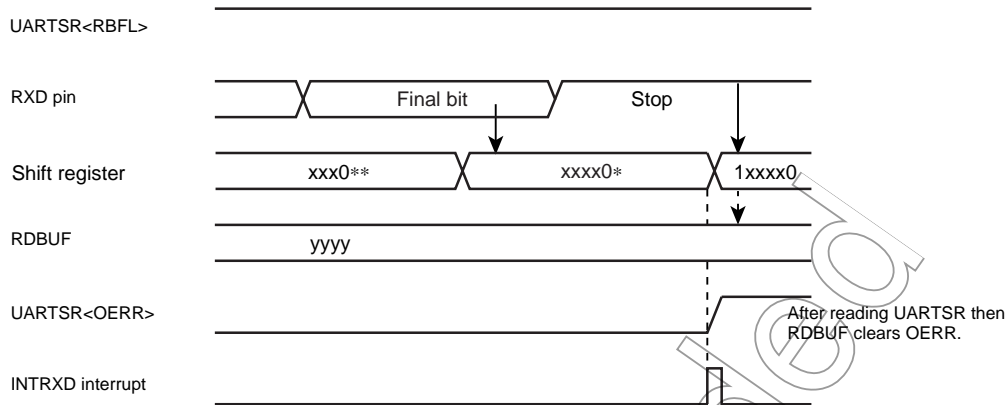


Figure 15-7 Generation of Overrun Error

Note: Receive operations are disabled until the overrun error flag UARTSR<OERR> is cleared.

### 15.9.4 Receive Data Buffer Full

Loading the received data in RDBUF sets receive data buffer full flag UARTSR<RBFL> to "1". The UARTSR<RBFL> is cleared to "0" when the RDBUF is read after reading the UARTSR.

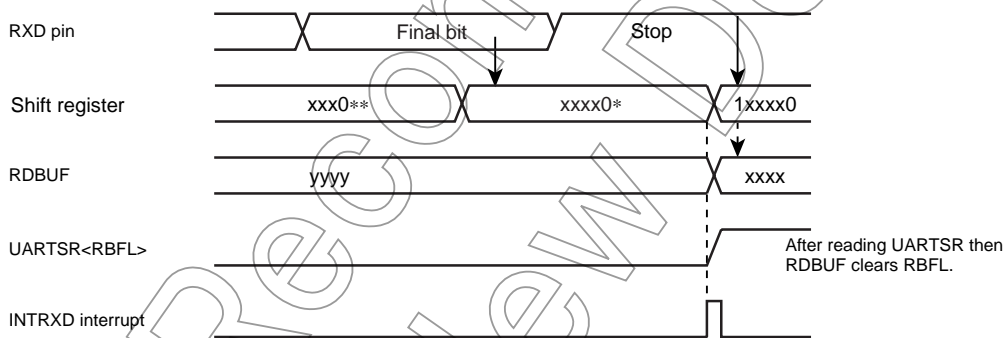


Figure 15-8 Generation of Receive Data Buffer Full

Note: If the overrun error flag UARTSR<OERR> is set during the period between reading the UARTSR and reading the RDBUF, it cannot be cleared by only reading the RDBUF. Therefore, after reading the RDBUF, read the UARTSR again to check whether or not the overrun error flag which should have been cleared still remains set.

### 15.9.5 Transmit Data Buffer Empty

When no data is in the transmit buffer TDBUF, that is, when data in TDBUF are transferred to the transmit shift register and data transmit starts, transmit data buffer empty flag UARTSR<TBEP> is set to "1". The UARTSR<TBEP> is cleared to "0" when the TDBUF is written after reading the UARTSR.

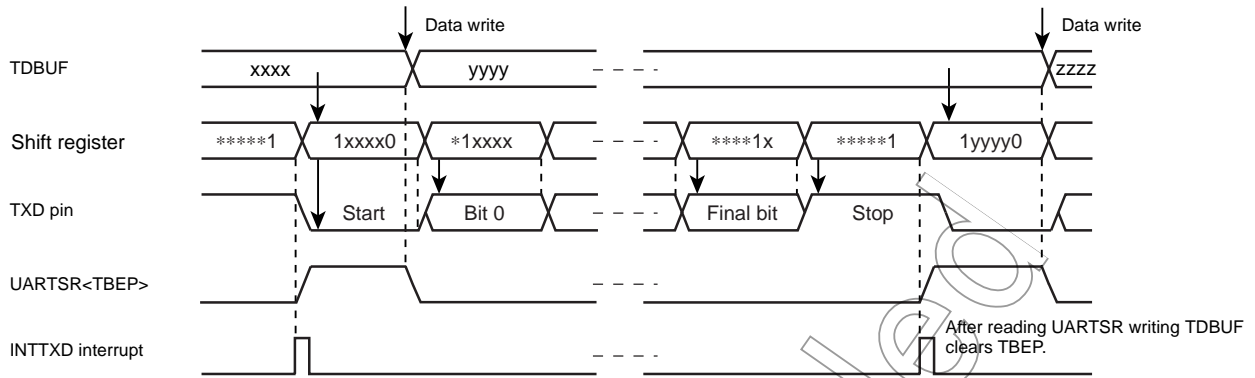


Figure 15-9 Generation of Transmit Data Buffer Empty

### 15.9.6 Transmit End Flag

When data are transmitted and no data is in TDBUF (UARTSR<TBEP> = "1"), transmit end flag UARTSR<TEND> is set to "1". The UARTSR<TEND> is cleared to "0" when the data transmit is stated after writing the TDBUF.

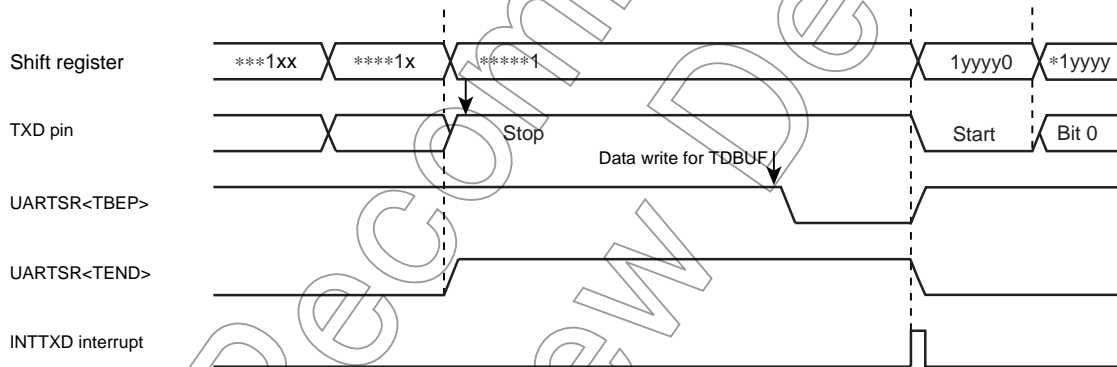


Figure 15-10 Generation of Transmit End Flag and Transmit Data Buffer Empty

## 16. Asynchronous Serial interface (UART2)

The TMP88FW45AFG has an asynchronous serial interface (UART). It can connect the peripheral circuits through TXD and RXD pin. TXD and RXD pin are also used as the general port. For TXD pin, the corresponding general port should be set output mode (Set its output control register to "1" after its output port latch to "1"). For RXD pin, should be set input mode.

RXD3 and TXD3 are correspond to P81 and P80 pins as the connection pins with the peripheral circuits in the asynchronous serial interface (UART2).

### 16.1 Configuration

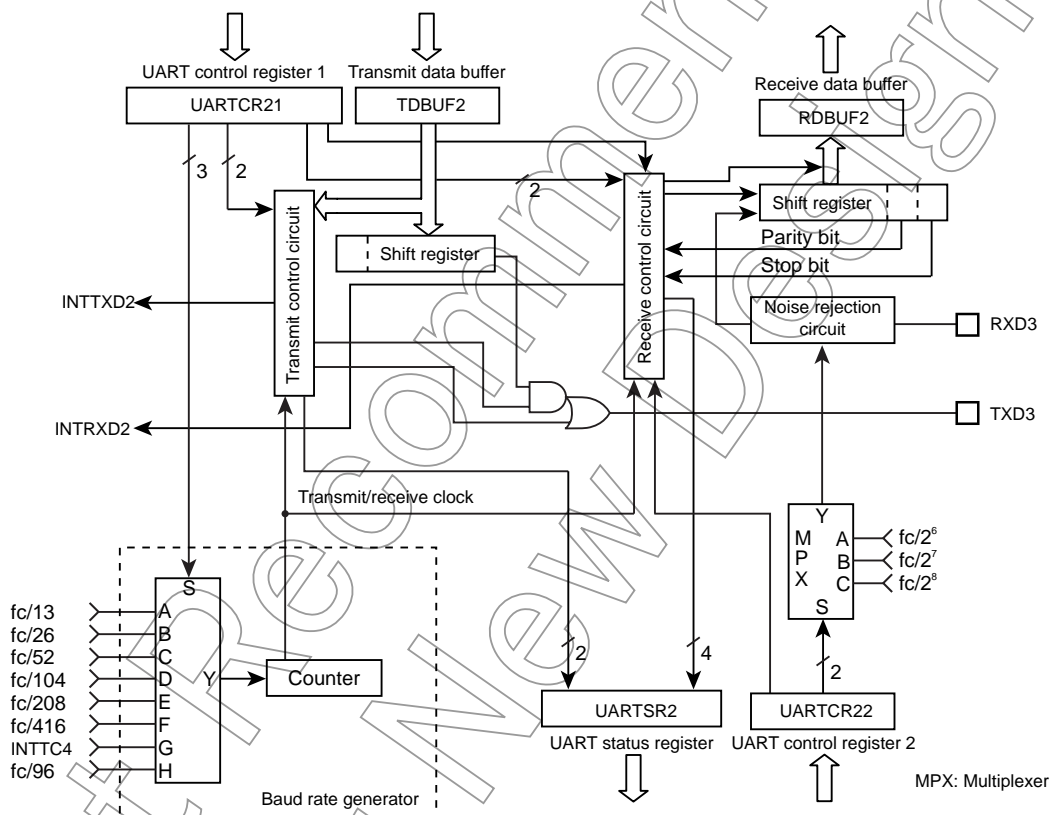
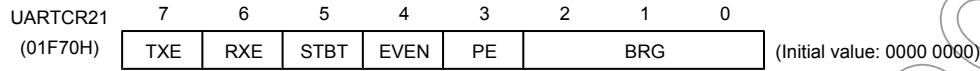


Figure 16-1 UART2 (Asynchronous Serial Interface)

## 16.2 Control

UART2 is controlled by the UART2 Control Registers (UARTCR21, UARTCR22). The operating status can be monitored using the UART status register (UARTSR2).

### UART2 Control Register1



TXE	Transfer operation	0: Disable 1: Enable	Write only
RXE	Receive operation	0: Disable 1: Enable	
STBT	Transmit stop bit length	0: 1 bit 1: 2 bits	
EVEN	Even-numbered parity	0: Odd-numbered parity 1: Even-numbered parity	
PE	Parity addition	0: No parity 1: Parity	
BRG	Transmit clock select	000: fc/13 [Hz] 001: fc/26 010: fc/52 011: fc/104 100: fc/208 101: fc/416 110: Input INTTC4 111: fc/96	

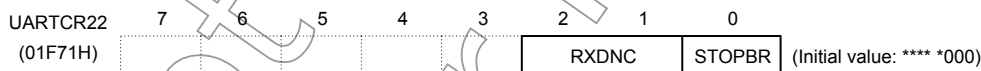
Note 1: When operations are disabled by setting UARTCR21<TXE> and RXE> bits to "0", the setting becomes valid when data transmit or receive complete. When the transmit data is stored in the transmit data buffer, the data are not transmitted. Even if data transmit is enabled, until new data are written to the transmit data buffer, the current data are not transmitted.

Note 2: The transmit clock and the parity are common to transmit and receive.

Note 3: UARTCR21<RXE> and UARTCR21<TXE> should be set to "0" before UARTCR21<BRG> is changed.

Note 4: In case fc = 20MHz, the timer counter 4 (TC4) is available as a baud rate generator.

### UART2 Control Register2



RXDNC	Selection of RXD input noise rejectio time	00: No noise rejection (Hysteresis input) 01: Rejects pulses shorter than 31/fc [s] as noise 10: Rejects pulses shorter than 63/fc [s] as noise 11: Rejects pulses shorter than 127/fc [s] as noise	Write only
STOPBR	Receive stop bit length	0: 1 bit 1: 2 bits	

Note 1: Settings of RXDNC are limited depending on the transfer clock specified by BRG. The combination "0" is available but please do not select the combination "-". The transfer clock is calculated by the following equation : Transfer clock [Hz] =INTTC4 sourcec clock [Hz] ÷ TC4DR set value

BRG setting	Transfer clock [Hz]	RXDNC setting			
		00 (No noise rejection)	01 (Reject pulses shorter than 31/fc[s] as noise)	10 (Reject pulses shorter than 63/fc[s] as noise)	11 (Reject pulses shorter than 127/fc[s] as noise)
000	fc/13	0	0	0	-
110 (When the transfer clock generated by timer/counter interrupt is the same as the right side column)	fc/8	0	-	-	-
	fc/16	0	0	-	-
	fc/32	0	0	0	-
The setting except the above		0	0	0	0

**UART2 Status Register**

UARTSR2 (01F70H)

7	6	5	4	3	2	1	0
PERR	FERR	OERR	RBFL	TEND	TBEP		

(Initial value: 0000 11\*\*)

PERR	Parity error flag	0: No parity error 1: Parity error	Read only
FERR	Framing error flag	0: No framing error 1: Framing error	
OERR	Overrun error flag	0: No overrun error 1: Overrun error	
RBFL	Receive data buffer full flag	0: Receive data buffer empty 1: Receive data buffer full	
TEND	Transmit end flag	0: On transmitting 1: Transmit end	
TBEP	Transmit data buffer empty flag	0: Transmit data buffer full (Transmit data writing is finished) 1: Transmit data buffer empty	

Note: When an INTTXD is generated, TBEP flag is set to "1" automatically.

**UART2 Receive Data Buffer**

RDBUF2 (01F72H)

7	6	5	4	3	2	1	0

Read only (Initial value: 0000 0000)

**UART2 Transmit Data Buffer**

TDBUF2 (01F72H)

7	6	5	4	3	2	1	0

Write only (Initial value: 0000 0000)

### 16.3 Transfer Data Format

In UART2, an one-bit start bit (Low level), stop bit (Bit length selectable at high level, by UARTCR21<STBT>), and parity (Select parity in UARTCR21<PE>; even- or odd-numbered parity by UARTCR21<EVEN>) are added to the transfer data. The transfer data formats are shown as follows.

PE	STBT	Frame Length											
		1	2	3	4	5	6	7	8	9	10	11	12
0	0												
0	1												
1	0												
1	1												

Figure 16-2 Transfer Data Format

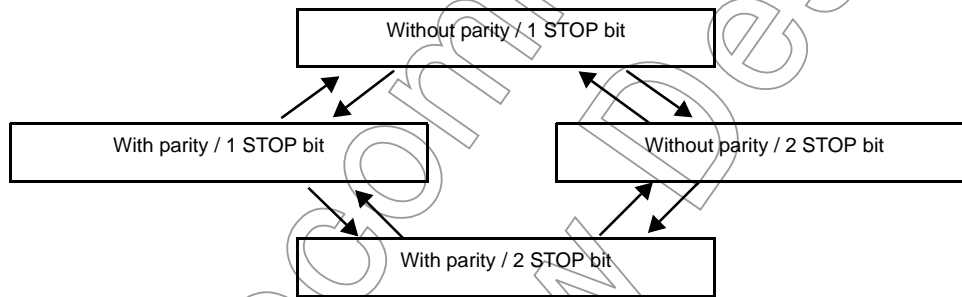


Figure 16-3 Caution on Changing Transfer Data Format

Note: In order to switch the transfer data format, perform transmit operations in the above Figure 16-3 sequence except for the initial setting.

## 16.4 Transfer Rate

The baud rate of UART2 is set of UARTCR21<BRG>. The example of the baud rate are shown as follows.

Table 16-1 Transfer Rate (Example)

BRG	Source Clock	
	16 MHz	8 MHz
000	76800 [baud]	38400 [baud]
001	38400	19200
010	19200	9600
011	9600	4800
100	4800	2400
101	2400	1200

When INTTC4 is used as the UART2 transfer rate (when UARTCR21<BRG> = "110"), the transfer clock and transfer rate are determined as follows:

$$\text{Transfer clock [Hz]} = \text{TC4 source clock [Hz]} / \text{TC4DR setting value}$$

$$\text{Transfer Rate [baud]} = \text{Transfer clock [Hz]} / 16$$

## 16.5 Data Sampling Method

The UART2 receiver keeps sampling input using the clock selected by UARTCR21<BRG> until a start bit is detected in RXD pin input. RT clock starts detecting "L" level of the RXD pin. Once a start bit is detected, the start bit, data bits, stop bit(s), and parity bit are sampled at three times of RT7, RT8, and RT9 during one receiver clock interval (RT clock). (RT0 is the position where the bit supposedly starts.) Bit is determined according to majority rule (The data are the same twice or more out of three samplings).

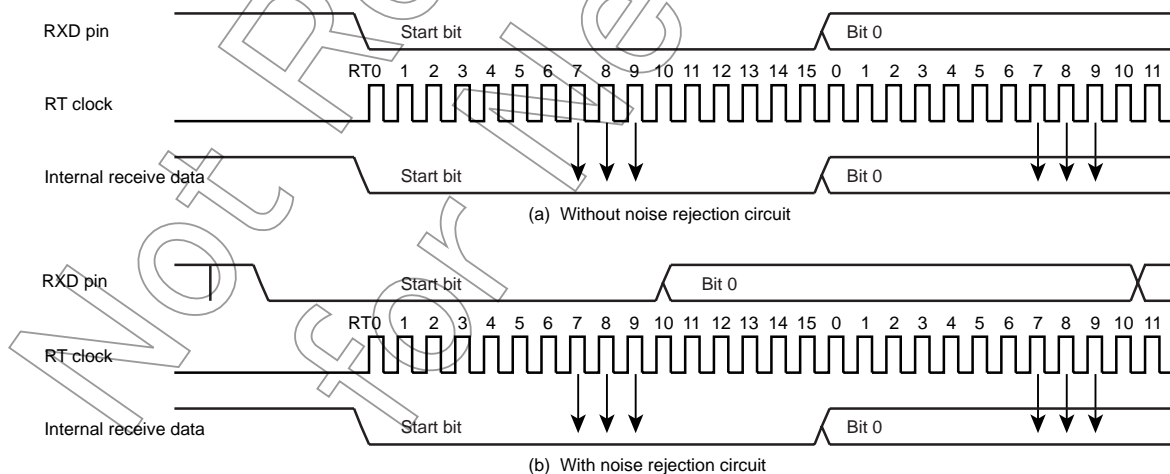


Figure 16-4 Data Sampling Method

## 16.6 STOP Bit Length

Select a transmit stop bit length (1 bit or 2 bits) by UARTCR21<STBT>.

## 16.7 Parity

Set parity / no parity by UARTCR21<PE> and set parity type (Odd- or Even-numbered) by UARTCR21<EVEN>.

## 16.8 Transmit/Receive Operation

### 16.8.1 Data Transmit Operation

Set UARTCR21<TXE> to "1". Read UARTSR2 to check UARTSR2<TBEP> = "1", then write data in TDBUF2 (Transmit data buffer). Writing data in TDBUF2 zero-clears UARTSR2<TBEP>, transfers the data to the transmit shift register and the data are sequentially output from the TXD pin. The data output include a one-bit start bit, stop bits whose number is specified in UARTCR21<STBT> and a parity bit if parity addition is specified. Select the data transfer baud rate using UARTCR21<BRG>. When data transmit starts, transmit buffer empty flag UARTSR2<TBEP> is set to "1" and an INTTXD interrupt is generated.

While UARTCR21<TXE> = "0" and from when "1" is written to UARTCR21<TXE> to when send data are written to TDBUF2, the TXD pin is fixed at high level. When transmitting data, first read UARTSR2, then write data in TDBUF2. Otherwise, UARTSR2<TBEP> is not zero-cleared and transmit does not start.

### 16.8.2 Data Receive Operation

Set UARTCR21<RXE> to "1". When data are received via the RXD pin, the receive data are transferred to RDBUF2 (Receive data buffer). At this time, the data transmitted includes a start bit and stop bit(s) and a parity bit if parity addition is specified. When stop bit(s) are received, data only are extracted and transferred to RDBUF2 (Receive data buffer). Then the receive buffer full flag UARTSR2<RBFL> is set and an INTRXD interrupt is generated. Select the data transfer baud rate using UARTCR21<BRG>.

If an overrun error (OERR) occurs when data are received, the data are not transferred to RDBUF2 (Receive data buffer) but discarded; data in the RDBUF2 are not affected.

Note: When a receive operation is disabled by setting UARTCR21<RXE> bit to "0", the setting becomes valid when data receive is completed. However, if a framing error occurs in data receive, the receive-disabling setting may not become valid. If a framing error occurs, be sure to perform a re-receive operation.



## 16.9 Status Flag

### 16.9.1 Parity Error

When parity determined using the receive data bits differs from the received parity bit, the parity error flag UARTSR2<PERR> is set to “1”. The UARTSR2<PERR> is cleared to “0” when the RDBUF2 is read after reading the UARTSR2.

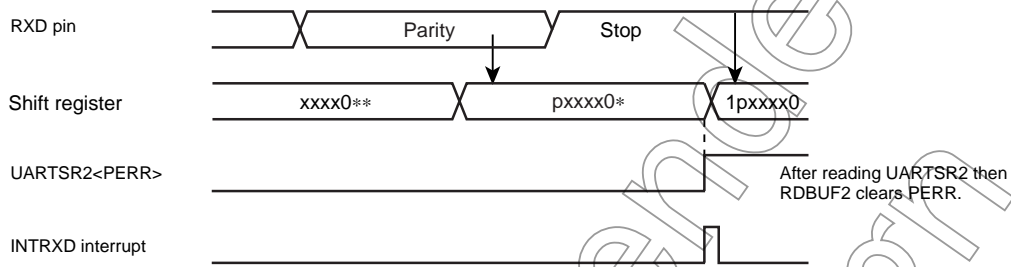


Figure 16-5 Generation of Parity Error

### 16.9.2 Framing Error

When “0” is sampled as the stop bit in the receive data, framing error flag UARTSR2<FERR> is set to “1”. The UARTSR2<FERR> is cleared to “0” when the RDBUF2 is read after reading the UARTSR2.

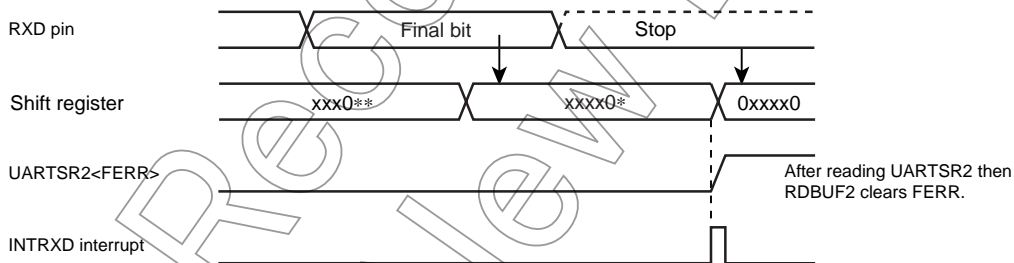


Figure 16-6 Generation of Framing Error

### 16.9.3 Overrun Error

When all bits in the next data are received while unread data are still in RDBUF2, overrun error flag UARTSR2<OERR> is set to “1”. In this case, the receive data is discarded; data in RDBUF2 are not affected. The UARTSR2<OERR> is cleared to “0” when the RDBUF2 is read after reading the UARTSR2.

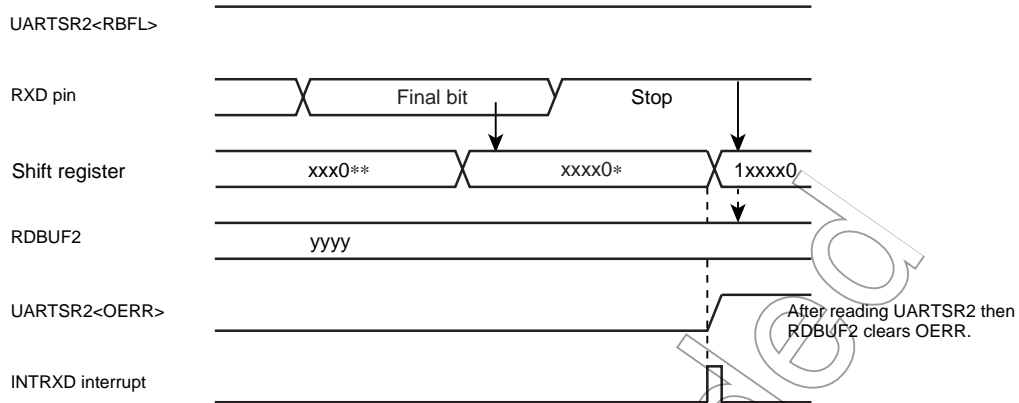


Figure 16-7 Generation of Overrun Error

Note: Receive operations are disabled until the overrun error flag UARTSR2<OERR> is cleared.

### 16.9.4 Receive Data Buffer Full

Loading the received data in RDBUF2 sets receive data buffer full flag UARTSR2<RBFL> to "1". The UARTSR2<RBFL> is cleared to "0" when the RDBUF2 is read after reading the UARTSR2.

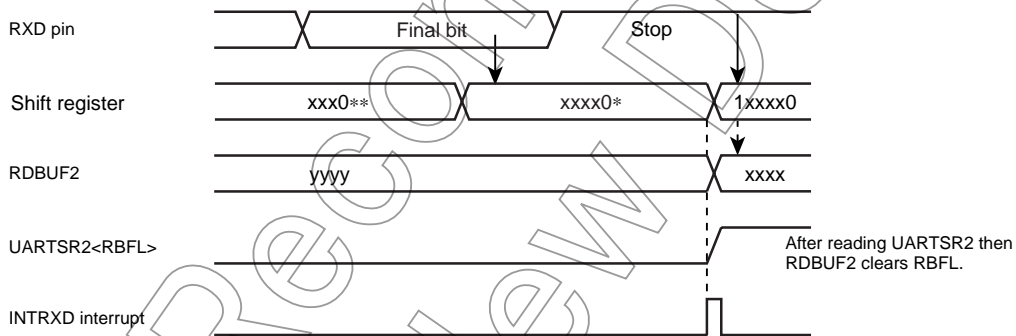


Figure 16-8 Generation of Receive Data Buffer Full

Note: If the overrun error flag UARTSR2<OERR> is set during the period between reading the UARTSR2 and reading the RDBUF2, it cannot be cleared by only reading the RDBUF2. Therefore, after reading the RDBUF2, read the UARTSR2 again to check whether or not the overrun error flag which should have been cleared still remains set.

### 16.9.5 Transmit Data Buffer Empty

When no data is in the transmit buffer TDBUF2, that is, when data in TDBUF2 are transferred to the transmit shift register and data transmit starts, transmit data buffer empty flag UARTSR2<TBEP> is set to "1". The UARTSR2<TBEP> is cleared to "0" when the TDBUF2 is written after reading the UARTSR2.

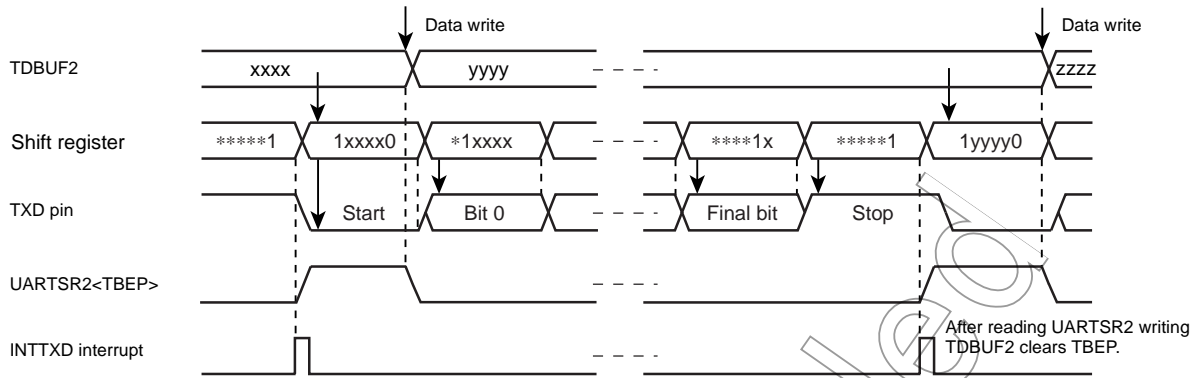


Figure 16-9 Generation of Transmit Data Buffer Empty

### 16.9.6 Transmit End Flag

When data are transmitted and no data is in TDBUF2 (UARTSR2<TBEP> = "1"), transmit end flag UARTSR2<TEND> is set to "1". The UARTSR2<TEND> is cleared to "0" when the data transmit is stated after writing the TDBUF2.

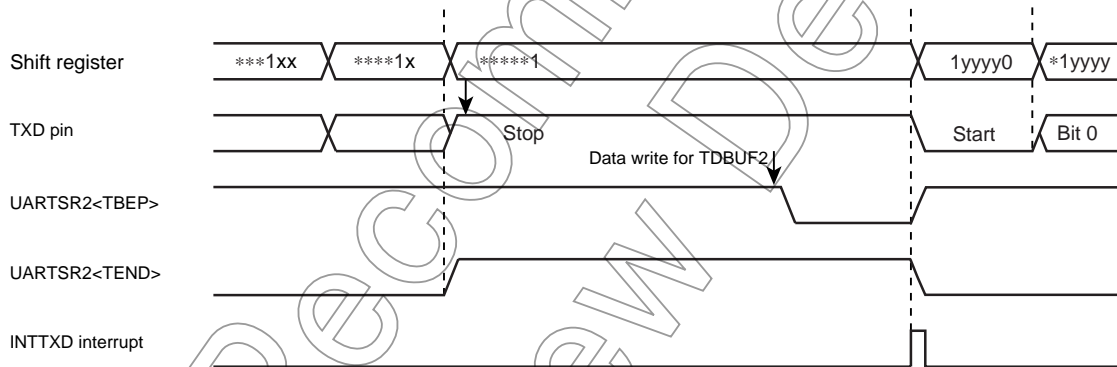


Figure 16-10 Generation of Transmit End Flag and Transmit Data Buffer Empty

Not Recommended  
for New Design

## 17. Synchronous Serial Interface (SIO)

The TMP88FW45AFG has a clocked-synchronous 8-bit serial interface. Serial interface has an 8-byte transmit and receive data buffer that can automatically and continuously transfer up to 64 bits of data.

Serial interface is connected to outside peripheral devices via SO, SI,  $\overline{\text{SCK}}$  port.

### 17.1 Configuration

SIO control / status register

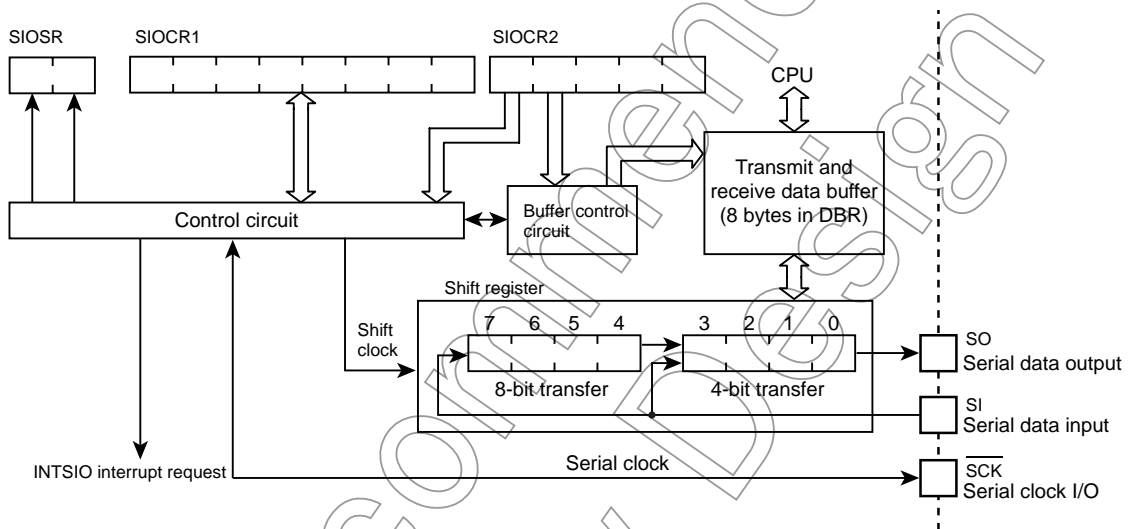


Figure 17-1 Serial Interface

## 17.2 Control

The serial interface is controlled by SIO control registers (SIOCR1/SIOCR2). The serial interface status can be determined by reading SIO status register (SIOSR).

The transmit and receive data buffer is controlled by the SIOCR2<BUF>. The data buffer is assigned to address 01F98H to 01F9FH for SIO in the DBR area, and can continuously transfer up to 8 words (bytes or nibbles) at one time. When the specified number of words has been transferred, a buffer empty (in the transmit mode) or a buffer full (in the receive mode or transmit/receive mode) interrupt (INTSIO) is generated.

When the internal clock is used as the serial clock in the 8-bit receive mode and the 8-bit transmit/receive mode, a fixed interval wait can be applied to the serial clock for each word transferred. Four different wait times can be selected with SIOCR2<WAIT>.

### SIO Control Register 1

SIOCR1 (1F96H)	7	6	5	4	3	2	1	0	(Initial value: 0000 0000)
	SIOS	SIOINH	SIOM			SCK			

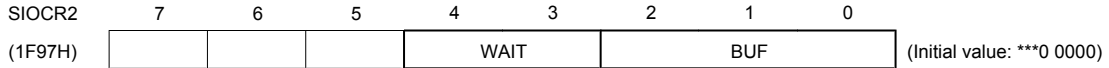
SIOS	Indicate transfer start / stop	0: Stop 1: Start							
SIOINH	Continue / abort transfer	0: Continuously transfer 1: Abort transfer (Automatically cleared after abort)							
SIOM	Transfer mode select	000: 8-bit transmit mode 010: 4-bit transmit mode 100: 8-bit transmit / receive mode 101: 8-bit receive mode 110: 4-bit receive mode Except the above: Reserved							Write only
SCK	Serial clock select	NORMAL, IDLE mode							Write only
			DV1CK = 0	DV1CK = 0					
		000	$fc/2^{13}$	$fc/2^{14}$					
		001	$fc/2^8$	$fc/2^9$					
		010	$fc/2^7$	$fc/2^8$					
		011	$fc/2^6$	$fc/2^7$					
		100	$fc/2^5$	$fc/2^6$					
101	$fc/2^4$	$fc/2^5$							
110	Reserved								
111	External clock (Input from SCK pin)								

Note 1: fc; High-frequency clock [Hz]

Note 2: Set SIOCR1<SIOS> to "0" and SIOCR1<SIOINH> to "1" when setting the transfer mode or serial clock.

Note 3: SIOCR1 is write-only register, which cannot access any of in read-modify-write instruction such as bit operate, etc.

SIO Control Register 2



WAIT	Wait control	Always sets "00" except 8-bit transmit / receive mode. 00: $T_f = T_D$ (Non wait) 01: $T_f = 2T_D$ ( Wait) 10: $T_f = 4T_D$ (Wait) 11: $T_f = 8T_D$ (Wait)	
BUF	Number of transfer words (Buffer address in use)	000: 1 word transfer      01F98H 001: 2 words transfer    01F98H ~ 01F99H 010: 3 words transfer    01F98H ~ 01F9AH 011: 4 words transfer    01F98H ~ 01F9BH 100: 5 words transfer    01F98H ~ 01F9CH 101: 6 words transfer    01F98H ~ 01F9DH 110: 7 words transfer    01F98H ~ 01F9EH 111: 8 words transfer    01F98H ~ 01F9FH	Write only

- Note 1: The lower 4 bits of each buffer are used during 4-bit transfers. Zeros (0) are stored to the upper 4bits when receiving.
- Note 2: Transmitting starts at the lowest address. Received data are also stored starting from the lowest address to the highest address. ( The first buffer address transmitted is 01F98H ).
- Note 3: The value to be loaded to BUF is held after transfer is completed.
- Note 4: SIOCR2 must be set when the serial interface is stopped (SIOF = 0).
- Note 5: \*: Don't care
- Note 6: SIOCR2 is write-only register, which cannot access any of in read-modify-write instruction such as bit operate, etc.
- Note 7:  $T_f$ : Frame time,  $T_D$ : Data transfer time

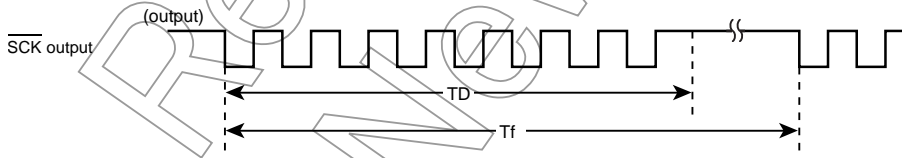
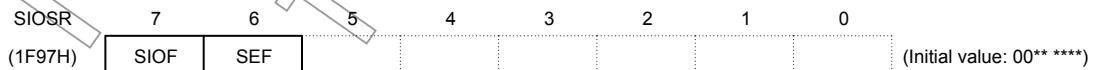


Figure 17-2 Frame time ( $T_f$ ) and Data transfer time ( $T_D$ )

SIO Status Register



SIOF	Serial transfer operating status monitor	0: Transfer terminated 1: Transfer in process	
SEF	Shift operating status monitor	0: Shift operation terminated 1: Shift operation in process	Read only

- Note 1: After SIOCR1<SIOS> is cleared to "0", SIOSR<SIOF> is cleared to "0" at the termination of transfer or the setting of SIOCR1<SIOINH> to "1".

## 17.3 Serial clock

### 17.3.1 Clock source

Internal clock or external clock for the source clock is selected by  $\text{SIOCR1}\langle\text{SCK}\rangle$ .

#### 17.3.1.1 Internal clock

Any of six frequencies can be selected. The serial clock is output to the outside on the  $\overline{\text{SCK}}$  pin. The  $\overline{\text{SCK}}$  pin goes high when transfer starts.

When data writing (in the transmit mode) or reading (in the receive mode or the transmit/receive mode) cannot keep up with the serial clock rate, there is a wait function that automatically stops the serial clock and holds the next shift operation until the read/write processing is completed.

Table 17-1 Serial Clock Rate

NORMAL, IDLE mode		
SCK	Clock	Baud Rate
000	$fc/2^{13}$	2.44 Kbps
001	$fc/2^8$	78.13 Kbps
010	$fc/2^7$	156.25 Kbps
011	$fc/2^6$	312.50 Kbps
100	$fc/2^5$	625.00 Kbps
101	$fc/2^4$	1250.00 Kbps
110	-	-
111	External	External

Note: 1 Kbit = 1024 bit ( $fc = 20$  MHz)

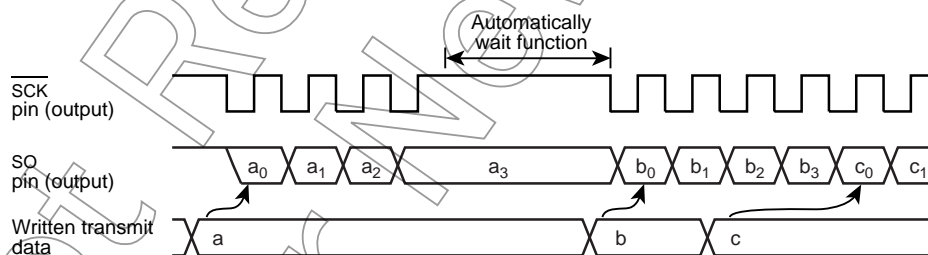


Figure 17-3 Automatic Wait Function (at 4-bit transmit mode)

#### 17.3.1.2 External clock

An external clock connected to the  $\overline{\text{SCK}}$  pin is used as the serial clock. In this case, the  $\overline{\text{SCK}}$  (P43) port should be set to input mode. To ensure shifting, a pulse width of more than  $2^4/fc$  is required. This pulse is needed for the shift operation to execute certainly. Actually, there is necessary processing time for interrupting, writing, and reading. The minimum pulse is determined by setting the mode and the program.



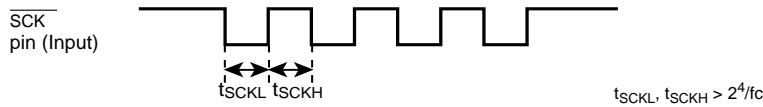


Figure 17-4 External clock pulse width

### 17.3.2 Shift edge

The leading edge is used to transmit, and the trailing edge is used to receive.

#### 17.3.2.1 Leading edge

Transmitted data are shifted on the leading edge of the serial clock (falling edge of the SCK pin input/output).

#### 17.3.2.2 Trailing edge

Received data are shifted on the trailing edge of the serial clock (rising edge of the SCK pin input/output).

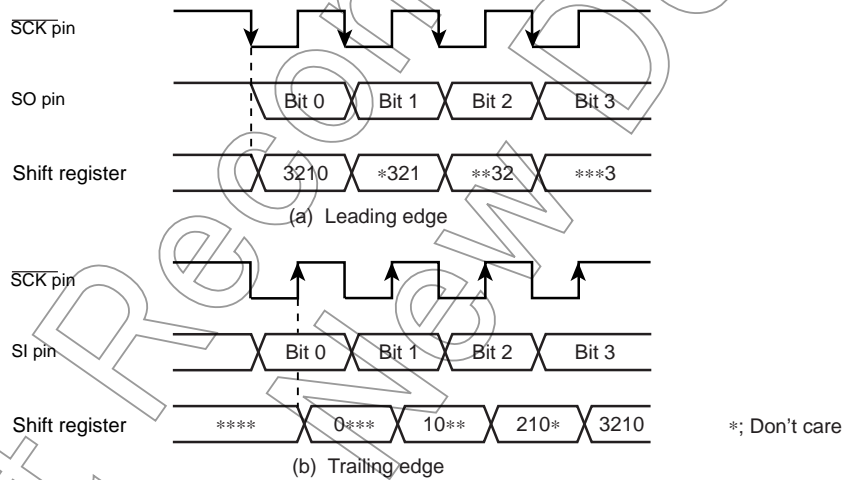


Figure 17-5 Shift edge

### 17.4 Number of bits to transfer

Either 4-bit or 8-bit serial transfer can be selected. When 4-bit serial transfer is selected, only the lower 4 bits of the transmit/receive data buffer register are used. The upper 4 bits are cleared to "0" when receiving.

The data is transferred in sequence starting at the least significant bit (LSB).

### 17.5 Number of words to transfer

Up to 8 words consisting of 4 bits of data (4-bit serial transfer) or 8 bits (8-bit serial transfer) of data can be transferred continuously. The number of words to be transferred can be selected by SIOCR2<BUF>.

An INTSIO interrupt is generated when the specified number of words has been transferred. If the number of words is to be changed during transfer, the serial interface must be stopped before making the change. The number of words can be changed during automatic-wait operation of an internal clock. In this case, the serial interface is not required to be stopped.

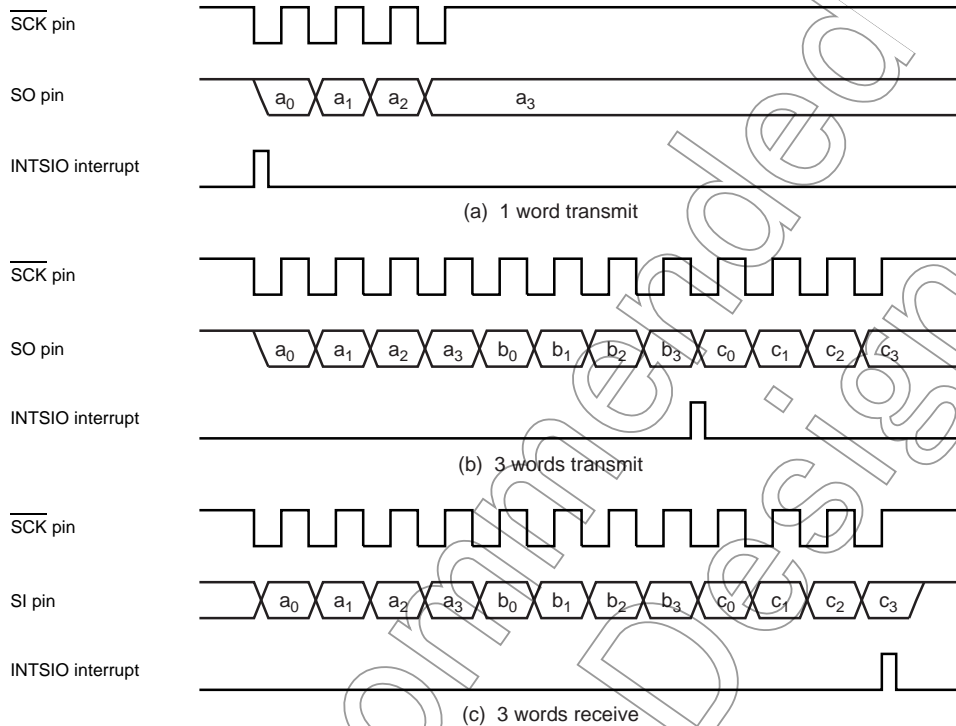


Figure 17-6 Number of words to transfer (Example: 1word = 4bit)

## 17.6 Transfer Mode

SIOCR1<SIOM> is used to select the transmit, receive, or transmit/receive mode.

### 17.6.1 4-bit and 8-bit transfer modes

In these modes, firstly set the SIO control register to the transmit mode, and then write first transmit data (number of transfer words to be transferred) to the data buffer registers (DBR).

After the data are written, the transmission is started by setting SIOCR1<SIOS> to "1". The data are then output sequentially to the SO pin in synchronous with the serial clock, starting with the least significant bit (LSB). As soon as the LSB has been output, the data are transferred from the data buffer register to the shift register. When the final data bit has been transferred and the data buffer register is empty, an INTSIO (Buffer empty) interrupt is generated to request the next transmitted data.

When the internal clock is used, the serial clock will stop and an automatic-wait will be initiated if the next transmitted data are not loaded to the data buffer register by the time the number of data words specified with the SIOCR2<BUF> has been transmitted. Writing even one word of data cancels the automatic-wait; therefore, when transmitting two or more words, always write the next word before transmission of the previous word is completed.

Note: Automatic waits are also canceled by writing to a DBR not being used as a transmit data buffer register; therefore, during SIO do not use such DBR for other applications. For example, when 3 words are transmitted, do not use the DBR of the remained 5 words.

When an external clock is used, the data must be written to the data buffer register before shifting next data. Thus, the transfer speed is determined by the maximum delay time from the generation of the interrupt request to writing of the data to the data buffer register by the interrupt service program.

The transmission is ended by clearing SIOCR1<SIOS> to “0” or setting SIOCR1<SIOINH> to “1” in buffer empty interrupt service program.

SIOCR1<SIOS> is cleared, the operation will end after all bits of words are transmitted.

That the transmission has ended can be determined from the status of SIOSR<SIOF> because SIOSR<SIOF> is cleared to “0” when a transfer is completed.

When SIOCR1<SIOINH> is set, the transmission is immediately ended and SIOSR<SIOF> is cleared to “0”.

When an external clock is used, it is also necessary to clear SIOCR1<SIOS> to “0” before shifting the next data; If SIOCR1<SIOS> is not cleared before shift out, dummy data will be transmitted and the operation will end.

If it is necessary to change the number of words, SIOCR1<SIOS> should be cleared to “0”, then SIOCR2<BUF> must be rewritten after confirming that SIOSR<SIOF> has been cleared to “0”.

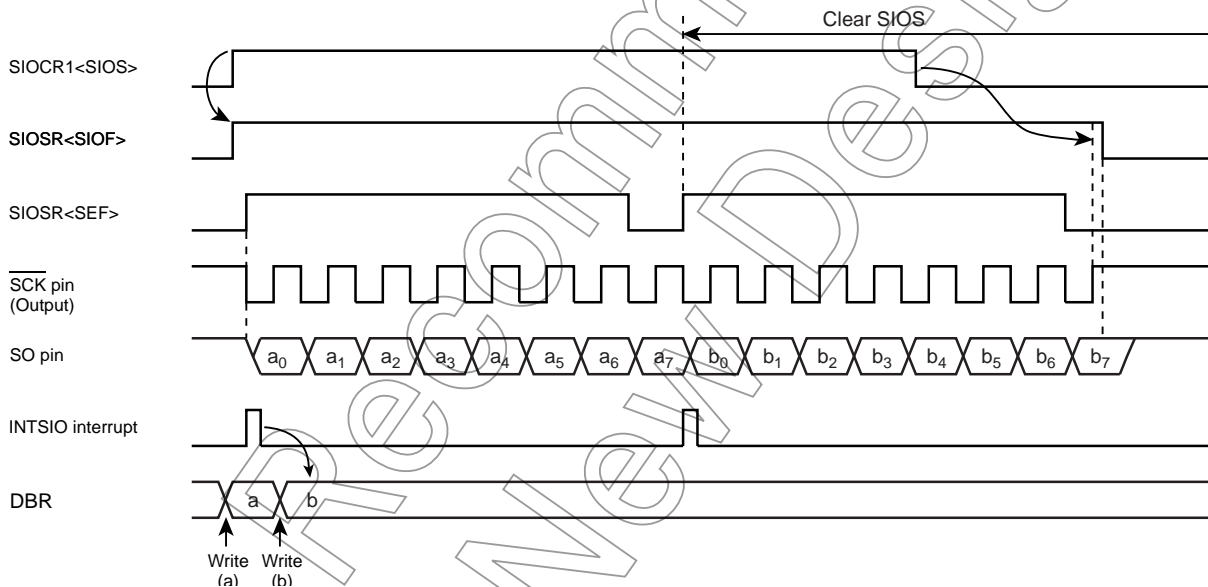


Figure 17-7 Transfer Mode (Example: 8bit, 1word transfer, Internal clock)

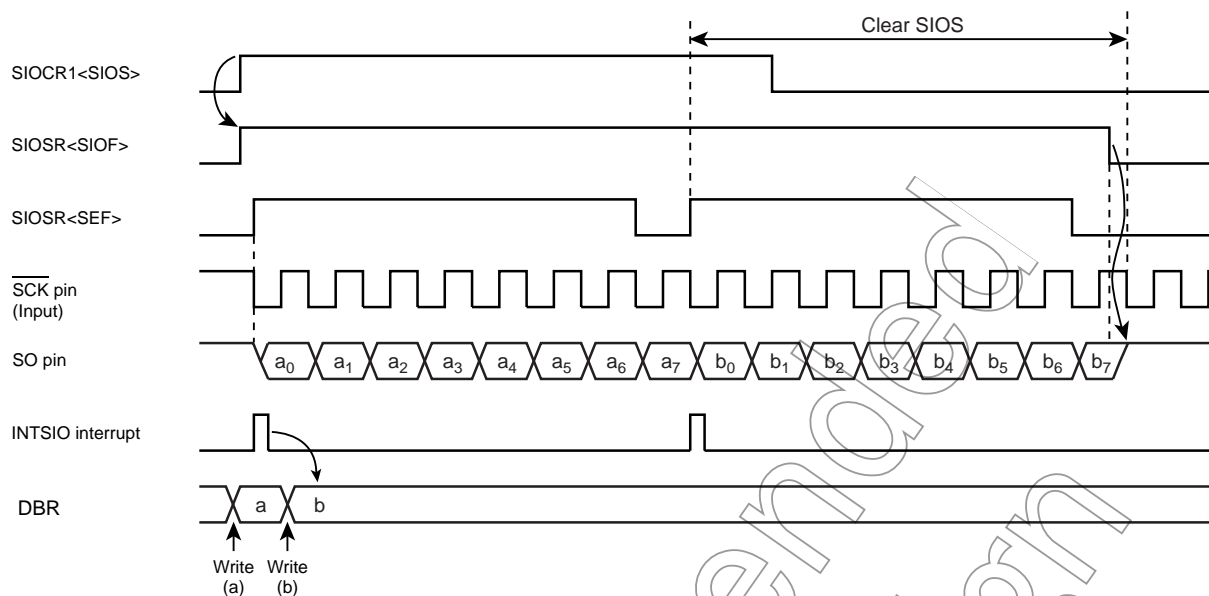


Figure 17-8 Transfer Mode (Example: 8bit, 1word transfer, External clock)

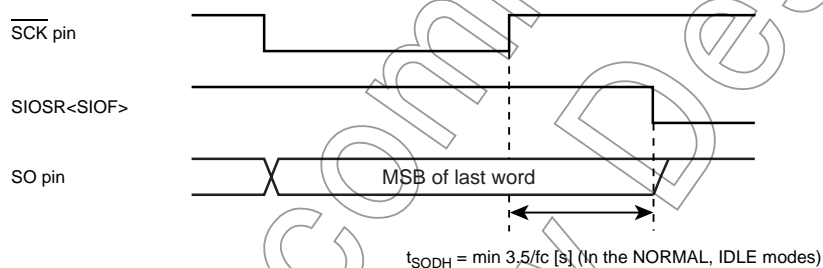


Figure 17-9 Transmitted Data Hold Time at End of Transfer

### 17.6.2 4-bit and 8-bit receive modes

After setting the control registers to the receive mode, set SIOCR1<SIOS> to "1" to enable receiving. The data are then transferred to the shift register via the SI pin in synchronous with the serial clock. When one word of data has been received, it is transferred from the shift register to the data buffer register (DBR). When the number of words specified with the SIOCR2<BUF> has been received, an INTSIO (Buffer full) interrupt is generated to request that these data be read out. The data are then read from the data buffer registers by the interrupt service program.

When the internal clock is used, and the previous data are not read from the data buffer register before the next data are received, the serial clock will stop and an automatic-wait will be initiated until the data are read. A wait will not be initiated if even one data word has been read.

Note: Waits are also canceled by reading a DBR not being used as a received data buffer register is read; therefore, during SIO do not use such DBR for other applications.

When an external clock is used, the shift operation is synchronized with the external clock; therefore, the previous data are read before the next data are transferred to the data buffer register. If the previous data have not been read, the next data will not be transferred to the data buffer register and the receiving of any more data will be canceled. When an external clock is used, the maximum transfer speed is determined by the delay between the time when the interrupt request is generated and when the data received have been read.

The receiving is ended by clearing SIOCR1<SIOS> to “0” or setting SIOCR1<SIOINH> to “1” in buffer full interrupt service program.

When SIOCR1<SIOS> is cleared, the current data are transferred to the buffer. After SIOCR1<SIOS> cleared, the receiving is ended at the time that the final bit of the data has been received. That the receiving has ended can be determined from the status of SIOSR<SIOF>. SIOSR<SIOF> is cleared to “0” when the receiving is ended. After confirmed the receiving termination, the final receiving data is read. When SIOCR1<SIOINH> is set, the receiving is immediately ended and SIOSR<SIOF> is cleared to “0”. (The received data is ignored, and it is not required to be read out.)

If it is necessary to change the number of words in external clock operation, SIOCR1<SIOS> should be cleared to “0” then SIOCR2<BUF> must be rewritten after confirming that SIOSR<SIOF> has been cleared to “0”. If it is necessary to change the number of words in internal clock, during automatic-wait operation which occurs after completion of data receiving, SIOCR2<BUF> must be rewritten before the received data is read out.

Note: The buffer contents are lost when the transfer mode is switched. If it should become necessary to switch the transfer mode, end receiving by clearing SIOCR1<SIOS> to “0”, read the last data and then switch the transfer mode.

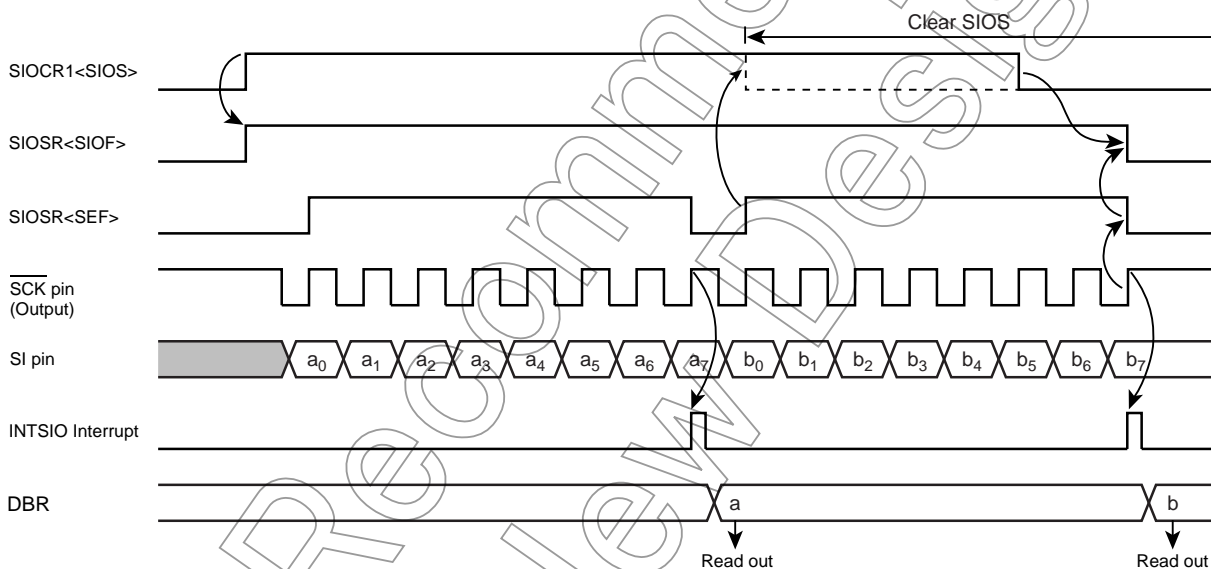


Figure 17-10 Receive Mode (Example: 8bit, 1word transfer, Internal clock)

### 17.6.3 8-bit transfer / receive mode

After setting the SIO control register to the 8-bit transmit/receive mode, write the data to be transmitted first to the data buffer registers (DBR). After that, enable the transmit/receive by setting SIOCR1<SIOS> to “1”. When transmitting, the data are output from the SO pin at leading edges of the serial clock. When receiving, the data are input to the SI pin at the trailing edges of the serial clock. When the all receive is enabled, 8-bit data are transferred from the shift register to the data buffer register. An INTSIO interrupt is generated when the number of data words specified with the SIOCR2<BUF> has been transferred. Usually, read the receive data from the buffer register in the interrupt service. The data buffer register is used for both transmitting and receiving; therefore, always write the data to be transmitted after reading the all received data.

When the internal clock is used, a wait is initiated until the received data are read and the next transfer data are written. A wait will not be initiated if even one transfer data word has been written.

When an external clock is used, the shift operation is synchronized with the external clock; therefore, it is necessary to read the received data and write the data to be transmitted next before starting the next shift operation. When an external clock is used, the transfer speed is determined by the maximum delay between generation of an interrupt request and the received data are read and the data to be transmitted next are written.

The transmit/receive operation is ended by clearing SIOCR1<SIOS> to “0” or setting SIOCR1<SIOINH> to “1” in INTSIO interrupt service program.

When SIOCR1<SIOS> is cleared, the current data are transferred to the buffer. After SIOCR1<SIOS> cleared, the transmitting/receiving is ended at the time that the final bit of the data has been transmitted.

That the transmitting/receiving has ended can be determined from the status of SIOSR<SIOF>. SIOSR<SIOF> is cleared to “0” when the transmitting/receiving is ended.

When SIOCR1<SIOINH> is set, the transmit/receive operation is immediately ended and SIOSR<SIOF> is cleared to “0”.

If it is necessary to change the number of words in external clock operation, SIOCR1<SIOS> should be cleared to “0”, then SIOCR2<BUF> must be rewritten after confirming that SIOSR<SIOF> has been cleared to “0”.

If it is necessary to change the number of words in internal clock, during automatic-wait operation which occurs after completion of transmit/receive operation, SIOCR2<BUF> must be rewritten before reading and writing of the receive/transmit data.

Note: The buffer contents are lost when the transfer mode is switched. If it should become necessary to switch the transfer mode, end receiving by clearing SIOCR1<SIOS> to “0”, read the last data and then switch the transfer mode.

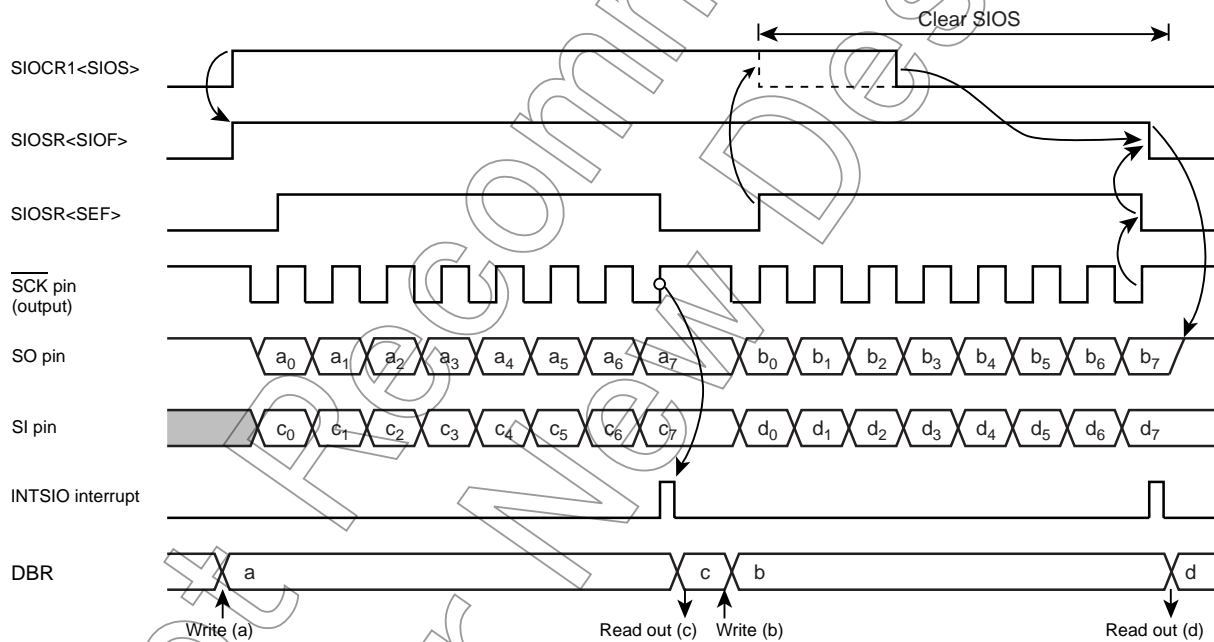


Figure 17-11 Transfer / Receive Mode (Example: 8bit, 1word transfer, Internal clock)

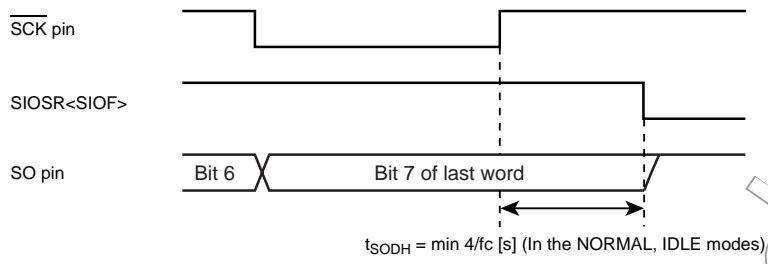


Figure 17-12 Transmitted Data Hold Time at End of Transfer / Receive

Not Recommended for New Design

Not Recommended  
for New Design



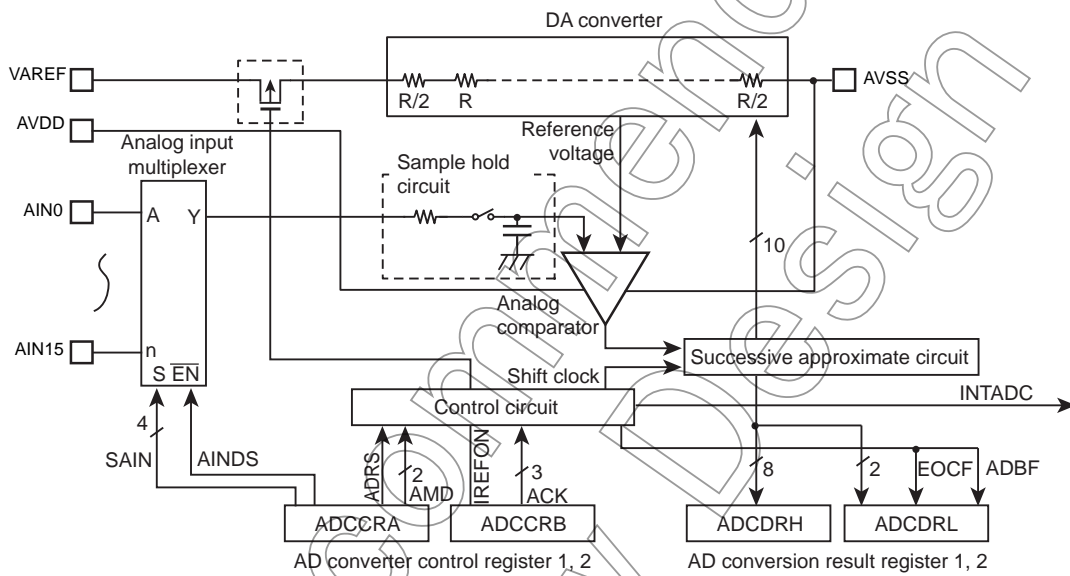
## 18. 10-bit AD Converter (ADC)

The TMP88FW45AFG have a 10-bit successive approximation type AD converter.

### 18.1 Configuration

The circuit configuration of the 10-bit AD converter is shown in Figure 18-1.

It consists of control register ADCCRA and ADCCRB, converted value register ADCDRH and ADCDRL, a DA converter, a sample-hold circuit, a comparator, and a successive comparison circuit.



Note: Before using AD converter, set appropriate value to I/O port register combining a analog input port. For details, see the section on "I/O ports".

Figure 18-1 10-bit AD Converter

## 18.2 Register configuration

The AD converter consists of the following four registers:

1. AD converter control register 1 (ADCCRA)

This register selects the analog channels and operation mode (Software start or repeat) in which to perform AD conversion and controls the AD converter as it starts operating.

2. AD converter control register 2 (ADCCRB)

This register selects the AD conversion time and controls the connection of the DA converter (Ladder resistor network).

3. AD converted value register 1 (ADCDRH)

This register used to store the digital value after being converted by the AD converter.

4. AD converted value register 2 (ADCDRL)

This register monitors the operating status of the AD converter.

### AD Converter Control Register 1

ADCCRA (0026H)	7	6	5	4	3	2	1	0
	ADRS	AMD	AINDS	SAIN			(Initial value: 0001 0000)	

ADRS	AD conversion start	0: - 1: AD conversion start	R/W
AMD	AD operating mode	00: AD operation disable 01: Software start mode 10: Reserved 11: Repeat mode	
AINDS	Analog input control	0: Analog input enable 1: Analog input disable	
SAIN	Analog input channel select	0000: AIN0 0001: AIN1 0010: AIN2 0011: AIN3 0100: AIN4 0101: AIN5 0110: AIN6 0111: AIN7 1000: AIN8 1001: AIN9 1010: AIN10 1011: AIN11 1100: AIN12 1101: AIN13 1110: AIN14 1111: AIN15	

Note 1: Select analog input channel during AD converter stops (ADCDRL<ADBF> = "0").

Note 2: When the analog input channel is all use disabling, the ADCCRA<AINDS> should be set to "1".

Note 3: During conversion, Do not perform port output instruction to maintain a precision for all of the pins because analog input port use as general input port. And for port near to analog input, Do not input intense signaling of change.

Note 4: The ADCCRA<ADRS> is automatically cleared to "0" after starting conversion.

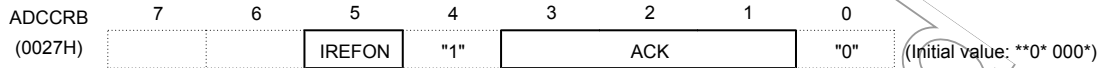
Note 5: Do not set ADCCRA<ADRS> newly again during AD conversion. Before setting ADCCRA<ADRS> newly again, check ADCDRL<EOCF> to see that the conversion is completed or wait until the interrupt signal (INTADC) is generated (e.g., interrupt handling routine).

Note 6: After STOP mode is started, AD converter control register1 (ADCCRA) is all initialized and no data can be written in this register. Therefore, to use AD converter again, set the ADCCRA newly after returning to NORMAL mode.

Note 7: After RESET, ADCCRA<SAIN> is initialized Reserved setting. Therefore, set the appropriate analog input channel to ADCCRA<SAIN> when use AD converter.

Note 8: After ADCCRA is set to 00H, AD conversion can not be started for four cycles. Thus, four NOPs must be inserted before setting the ADCCRA<ADRS>.

AD Converter Control Register 2



IREFON	DA converter (Ladder resistor) connection control	0: Connected only during AD conversion 1: Always connected	
ACK	AD conversion time select (Refer to the following table about the conversion time)	000: 39/fc 001: Reserved 010: 78/fc 011: 156/fc 100: 312/fc 101: 624/fc 110: 1248/fc 111: Reserved	R/W

- Note 1: Always set bit0 in ADCCRB to "0" and set bit4 in ADCCRB to "1".
- Note 2: When a read instruction for ADCCRB, bit6 to 7 in ADCCRB read in as undefined data.
- Note 3: After STOP mode is started, AD converter control register2 (ADCCRB) is all initialized and no data can be written in this register. Therefore, to use AD converter again, set the ADCCRB newly after returning to NORMAL mode.

Table 18-1 ACK setting and Conversion time (at CGCR<DV1CK>="0")

Condition ACK	Conversion time	20 MHz	16 MHz	8 MHz
000	39/fc	-	-	-
001	Reserved			
010	78/fc	-	-	-
011	156/fc	-	-	19.5 μs
100	312/fc	15.6 μs	19.5 μs	39.0 μs
101	624/fc	31.2 μs	39.0 μs	78.0 μs
110	1248/fc	62.4 μs	78.0 μs	156.0 μs
111	Reserved			

Table 18-2 ACK setting and Conversion time (at CGCR<DV1CK>="1")

Condition ACK	Conversion time	20 MHz	16 MHz	8 MHz
000	39/fc	-	-	-
001	Reserved			
010	78/fc	-	-	-
011	156/fc	-	-	19.5 μs
100	312/fc	15.6 μs	19.5 μs	39.0 μs
101	624/fc	31.2 μs	39.0 μs	78.0 μs
110	1248/fc	62.4 μs	78.0 μs	156.0 μs
111	Reserved			

- Note 1: Setting for "-" in the above table are inhibited. fc: High Frequency oscillation clock [Hz]
- Note 2: Set conversion time setting should be kept more than the following time by Analog reference voltage (VAREF).

- VAREF = 4.5 to 5.5 V      15.6  $\mu$ s and more

### AD Converted value Register 1

ADCDRH (0029H)	7	6	5	4	3	2	1	0	(Initial value: 0000 0000)
	AD09	AD08	AD07	AD06	AD05	AD04	AD03	AD02	

### AD Converted value Register 2

ADCDRL (0028H)	7	6	5	4	3	2	1	0	(Initial value: 0000 ****)
	AD01	AD00	EOCF	ADBF					

EOCF	AD conversion end flag	0: Before or during conversion 1: Conversion completed	Read only
ADBF	AD conversion BUSY flag	0: During stop of AD conversion 1: During AD conversion	

Note 1: The ADCDRL<EOCF> is cleared to "0" when reading the ADCDRH. Therefore, the AD conversion result should be read to ADCDRL more first than ADCDRH.

Note 2: The ADCDRL<ADBF> is set to "1" when AD conversion starts, and cleared to "0" when AD conversion finished. It also is cleared upon entering STOP mode.

Note 3: If a read instruction is executed for ADCDRL, read data of bit3 to bit0 are unstable.

## 18.3 Function

### 18.3.1 Software Start Mode

After setting ADCCRA<AMD> to “01” (software start mode), set ADCCRA<ADRS> to “1”. AD conversion of the voltage at the analog input pin specified by ADCCRA<SAIN> is thereby started.

After completion of the AD conversion, the conversion result is stored in AD converted value registers (ADCDRH, ADCDRL) and at the same time ADCDRL<EOCF> is set to 1, the AD conversion finished interrupt (INTADC) is generated.

ADRS is automatically cleared after AD conversion has started. Do not set ADCCRA<ADRS> newly again (Restart) during AD conversion. Before setting ADCCRA<ADRS> newly again, check ADCDRL<EOCF> to see that the conversion is completed or wait until the interrupt signal (INTADC) is generated (e.g., interrupt handling routine).

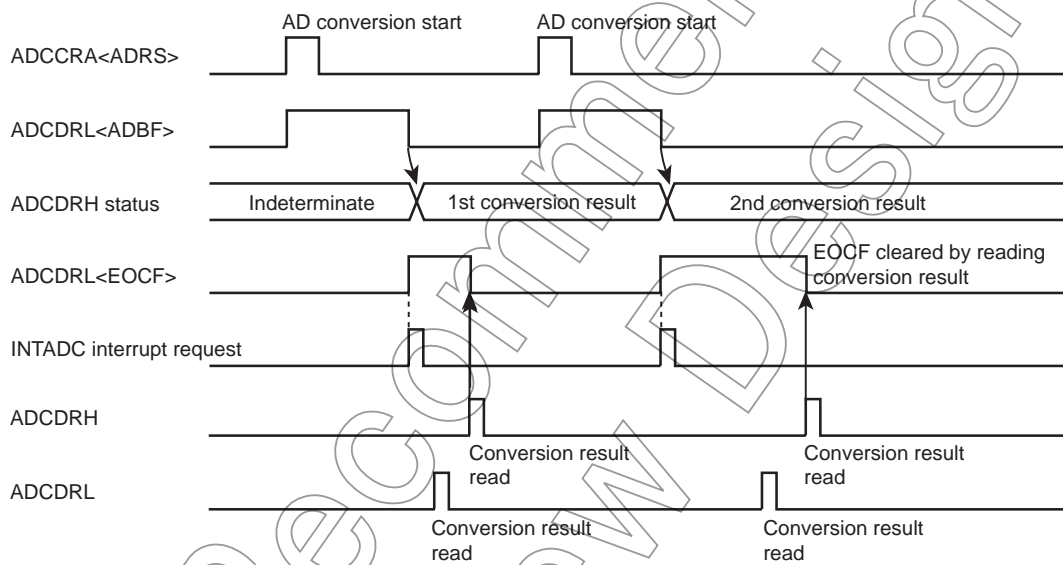


Figure 18-2 Software Start Mode

### 18.3.2 Repeat Mode

AD conversion of the voltage at the analog input pin specified by ADCCRA<SAIN> is performed repeatedly. In this mode, AD conversion is started by setting ADCCRA<ADRS> to “1” after setting ADCCRA<AMD> to “11” (Repeat mode).

After completion of the AD conversion, the conversion result is stored in AD converted value registers (ADCDRH, ADCDRL) and at the same time ADCDRL<EOCF> is set to 1, the AD conversion finished interrupt (INTADC) is generated.

In repeat mode, each time one AD conversion is completed, the next AD conversion is started. To stop AD conversion, set ADCCRA<AMD> to “00” (Disable mode) by writing 0s. The AD convert operation is stopped immediately. The converted value at this time is not stored in the AD converted value register.

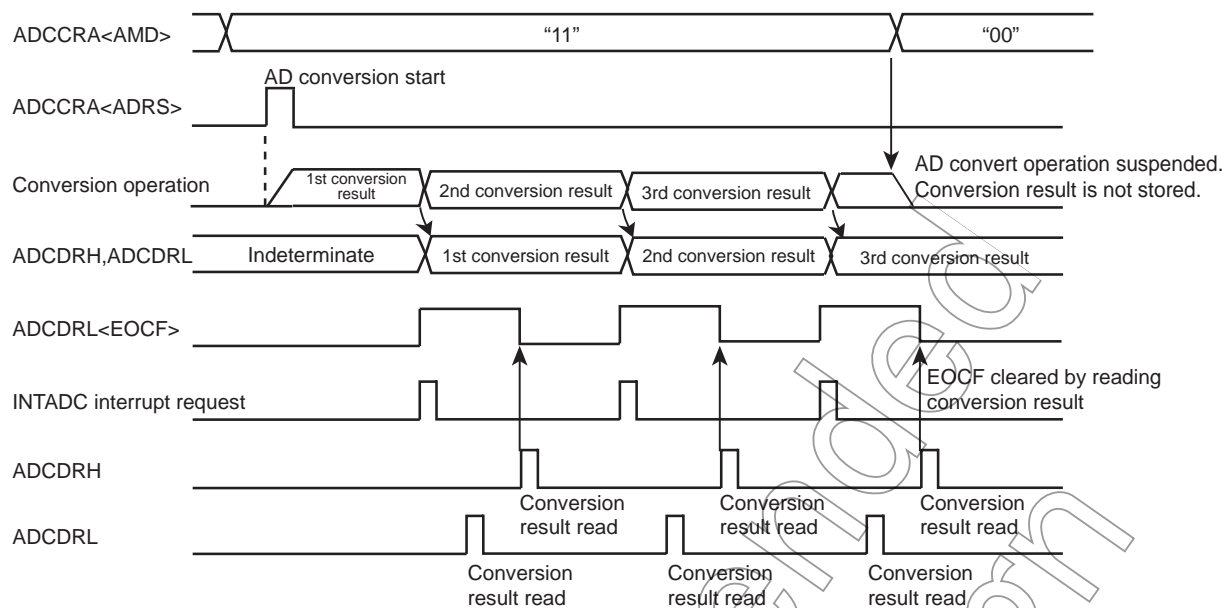


Figure 18-3 Repeat Mode

### 18.3.2.1 Register Setting

- Set up the AD converter control register 1 (ADCCRA) as follows:
  - Choose the channel to AD convert using AD input channel select (SAIN).
  - Specify analog input enable for analog input control (AINDS).
  - Specify AMD for the AD converter control operation mode (software or repeat mode).
- Set up the AD converter control register 2 (ADCCRB) as follows:
  - Set the AD conversion time using AD conversion time (ACK). For details on how to set the conversion time, refer to Figure 18-1, Figure 18-2 and AD converter control register 2.
  - Choose IREFON for DA converter control.
- After setting up (1) and (2) above, set AD conversion start (ADRS) of AD converter control register 1 (ADCCRA) to "1". If software start mode has been selected, AD conversion starts immediately.
- After an elapse of the specified AD conversion time, the AD converted value is stored in AD converted value register 1 (ADCDRH) and the AD conversion finished flag (EOCF) of AD converted value register 2 (ADCDRL) is set to "1", upon which time AD conversion interrupt INTADC is generated.
- EOCF is cleared to "0" by a read of the conversion result. However, if reconverted before a register read, although EOCF is cleared the previous conversion result is retained until the next conversion is completed.

Example :After selecting the conversion time 15.6  $\mu$ s at 20 MHz and the analog input channel AIN4 pin, perform AD conversion once. After checking EOCF, read the converted value, store the lower 2 bits in address 0009EH and store the upper 8 bits in address 0009FH in RAM. The operation mode is software start mode.

```

: (port setting)      :                               ;Set port register appropriately before setting AD
:                               ; converter registers.
:                               ; (Refer to section I/O port in details)
LD      (ADCCRA) , 00100100B    ; Select Software start mode, Analog input enable,
                                ; and AIN4
LD      (ADCCRB) , 00011000B    ;Select conversion time(312/fc) and operation mode

SLOOP : SET      (ADCCRA) . 7    ; ADRS = 1(AD conversion start)
        TEST     (ADCDRB) . 5    ; EOCF= 1 ?
        JRS      T, SLOOP

        LD      A , (ADCDRL)     ; Read result data
        LD      (9EH) , A
        LD      A , (ADCDRH)     ; Read result data
        LD      (9FH) , A

```

## 18.4 STOP mode during AD Conversion

When standby mode (STOP mode) is entered forcibly during AD conversion, the AD convert operation is suspended and the AD converter is initialized (ADCCRA and ADCCRB are initialized to initial value). Also, the conversion result is indeterminate. (Conversion results up to the previous operation are cleared, so be sure to read the conversion results before entering standby mode (STOP mode).) When restored from standby mode (STOP mode), AD conversion is not automatically restarted, so it is necessary to restart AD conversion. Note that since the analog reference voltage is automatically disconnected, there is no possibility of current flowing into the analog reference voltage.

## 18.5 Analog Input Voltage and AD Conversion Result

The analog input voltage is corresponded to the 10-bit digital value converted by the AD as shown in Figure 18-4.

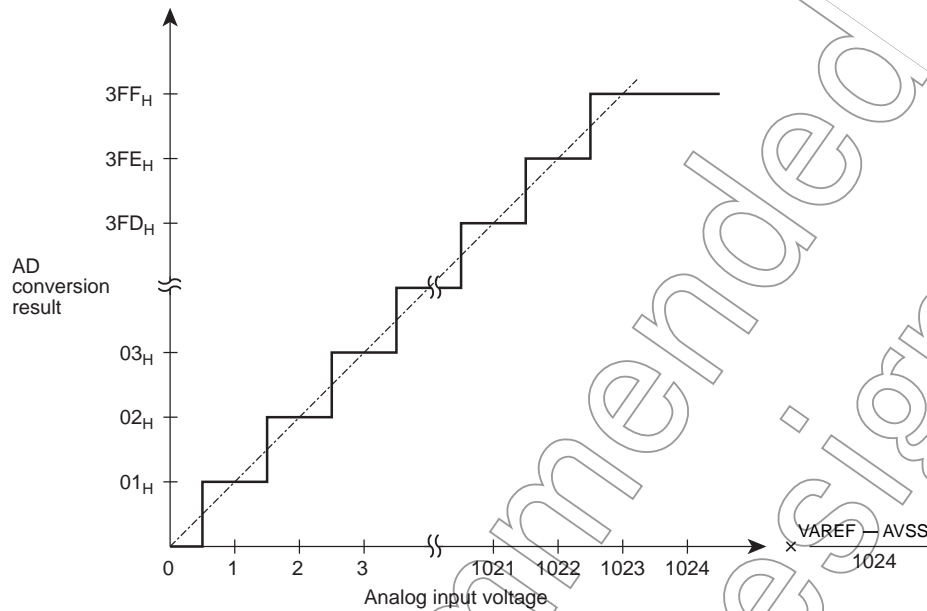


Figure 18-4 Analog Input Voltage and AD Conversion Result (Typ.)



## 18.6 Precautions about AD Converter

### 18.6.1 Analog input pin voltage range

Make sure the analog input pins (AIN0 to AIN15) are used at voltages within VAREF to AVSS. If any voltage outside this range is applied to one of the analog input pins, the converted value on that pin becomes uncertain. The other analog input pins also are affected by that.

### 18.6.2 Analog input shared pins

The analog input pins (AIN0 to AIN15) are shared with input/output ports. When using any of the analog inputs to execute AD conversion, do not execute input/output instructions for all other ports. This is necessary to prevent the accuracy of AD conversion from degrading. Not only these analog input shared pins, some other pins may also be affected by noise arising from input/output to and from adjacent pins.

### 18.6.3 Noise Countermeasure

The internal equivalent circuit of the analog input pins is shown in Figure 18-5. The higher the output impedance of the analog input source, more easily they are susceptible to noise. Therefore, make sure the output impedance of the signal source in your design is 5 k $\Omega$  or less. Toshiba also recommends attaching a capacitor external to the chip.

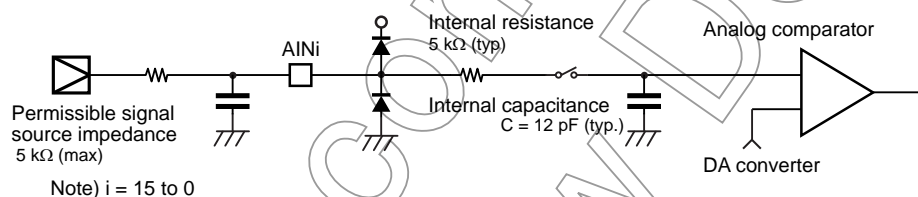


Figure 18-5 Analog Input Equivalent Circuit and Example of Input Pin Processing

Not Recommended  
for New Design

## 19. 8-Bit High-speed PWM ( $\overline{\text{HPWM0}}$ and $\overline{\text{HPWM1}}$ )

The TMP88FW45AFG contains two-channels of high-speed PWM. The high-speed PWM works in such a way that when data are written to the data registers for the respective channels, waveforms differing from each other can be output.

The high-speed PWM is shared with ports, P02 ( $\overline{\text{HPWM0}}$ ) and P03 ( $\overline{\text{HPWM1}}$ ). When using these pins for high-speed PWM, set the port output latches for P02 and P03 to 1.

### 19.1 Configuration

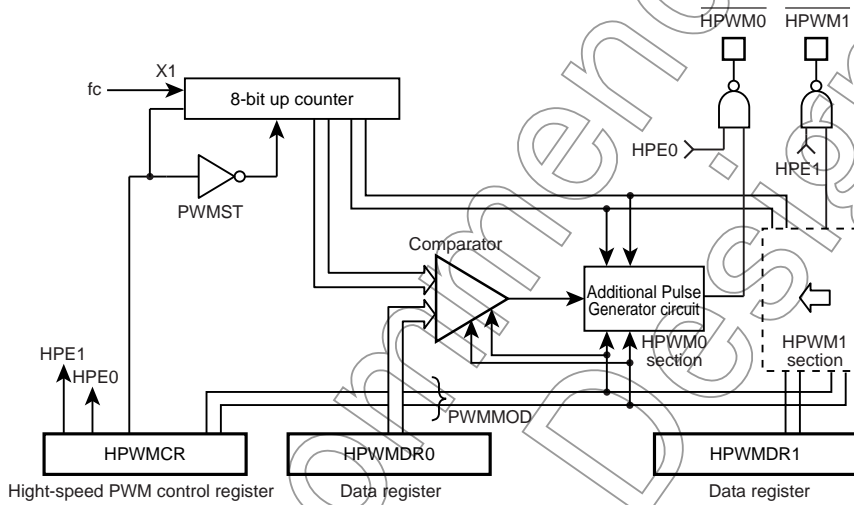
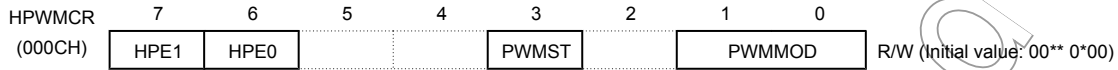


Figure 19-1 High-speed PWM ( $\overline{\text{HPWM0}}$  and  $\overline{\text{HPWM1}}$ )

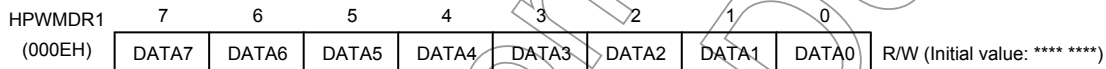
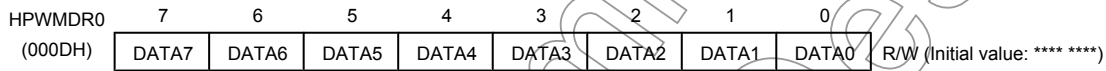
## 19.2 Control

### Control Register



PWMMOD	Select PWM mode	00: Mode 0 (8 bits) 01: Mode 1 (7 bits) 10: Mode 2 (6 bits) 11: Reserved	R/W
PWMST	Run/stop 8-bit up counter	0: STOP 1: RUN	
HPE0	Control HPWM0 output	0: Disable 1: Enable	
HPE1	Control HPWM1 output	0: Disable 1: Enable	

### Data Register



Note 1: The PWM output pulse width varies with the clock duty cycle.

Note 2: For the data registers, set data 10H to F0H.

Note 3: When HPWMCR<PWMST> = 0, the internal counter is cleared and data "1" is output to the port.

Note 4: Before selecting PWM mode, make sure HPWMCR<PWMST> = 0.

Note 5: Before entering STOP mode, set HPWMCR<PWMST, HPE0, and HPE1> all to 0.

Note 6: If HPWMCR<HPE0 or HPE1> is altered in the middle of PWM period, the waveform may be distorted. To avoid waveform distortion, make sure HPWMCR<PWMST> = 0 when enabling HPWM output.

## 19.3 Functional Description

The high-speed PWM is controlled using the Control Register (HPWMCR) and Data Registers (HPWMDR0, 1). Before writing to these registers, set the HPWMCR<PWMST> = 1 to make them ready for setup. When the HPWMCR<PWMST> is set to 0, each control register is reset, so that the high-speed PWM can be reset in software.

### 19.3.1 Operation modes

The high-speed PWM has the following three modes of operation:

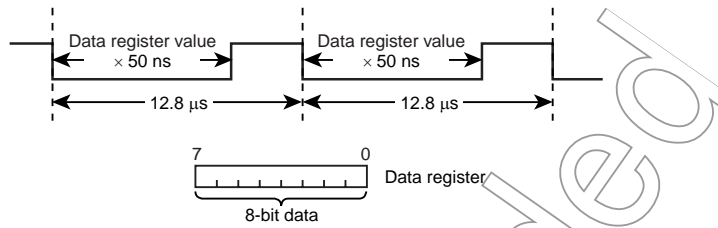
- 8-bit mode: ( $T = 2^8 \times \text{clock period}$ ,  $f \approx 78 \text{ kHz}$ )
- 7-bit mode: ( $T = 2^7 \times \text{clock period}$ ,  $f \approx 156 \text{ kHz}$ )
- 6-bit mode: ( $T = 2^6 \times \text{clock period}$ ,  $f \approx 313 \text{ kHz}$ )

Note: These values apply to the case where the source clock (X1) is 20 MHz.

Use the HPWMCR<PWMMOD> to select operation mode. Note that operation mode is common to both channels, and cannot be set separately for each channel.

19.3.1.1 8-bit mode

In 8-bit mode, it is possible to generate a pulse with 12.8  $\mu$ s period and approximately 78 kHz frequency (when X1 = 20 MHz).



The minimum width of the pulse is 0.8  $\mu$ s (data “10”), and the maximum width of the pulse is 12.0  $\mu$ s (data “F0”).

Pulse width = 8-bit data  $\times$  50 ns

Figure 19-2 shows a typical waveform in 8-bit mode. (The values are for X1 = 20 MHz.)

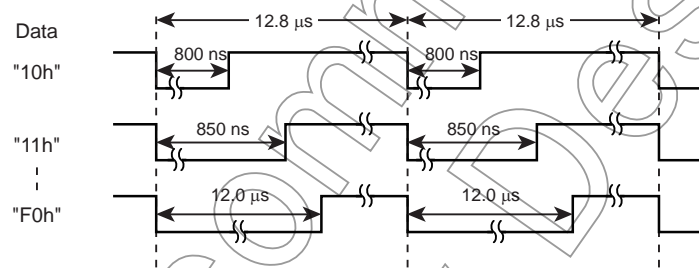
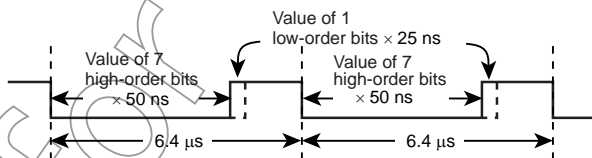


Figure 19-2 8-Bit Mode

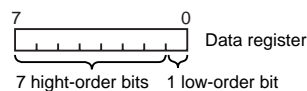
19.3.1.2 7-bit mode

In 7-bit mode, it is possible to generate a pulse with 6.4  $\mu$ s period and approximately 156 kHz frequency (when X1 = 20 MHz).



In 7-bit mode, the period is comprised of 7 bits (period =  $2^7 \times 50$  ns) and one other bit provides a 25 ns resolution (half period of the source clock (X1)). Therefore, when the one low-order bit = 1, a plus-25 ns pulse is output.

The minimum width of the pulse is 0.4  $\mu$ s (data “10”), and the maximum width of the pulse is 6.0  $\mu$ s (data “F0”: “78” + “0”).



Pulse width = (7 high-order Bits of data × 50 ns) + (1 low-order Bit of data × 25 ns)

Figure 19-3 shows a typical waveform in 7-bit mode. (The values are for X1 = 20 MHz.)

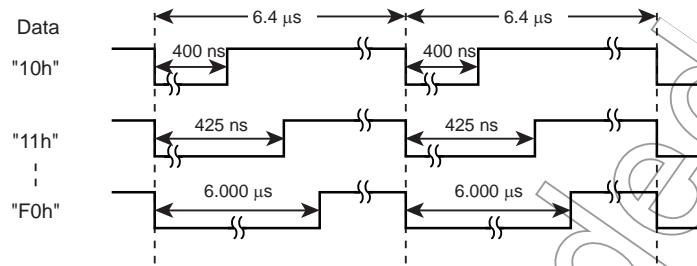
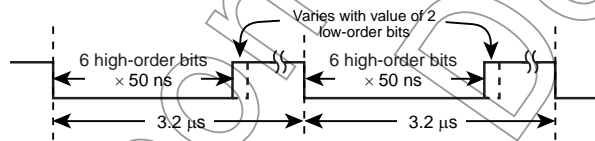


Figure 19-3 7-Bit Mode

Note: The resolution of the LSB 1 bit (25 nsec) is a typical value and its precision is not guaranteed.

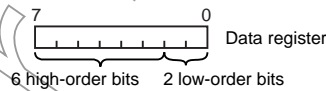
19.3.1.3 6-bit mode

In 6-bit mode, it is possible to generate a pulse with 3.2 μs period and approximately 313 kHz frequency (when X1 = 20 MHz).



In 6-bit mode, the period is comprised of 6 bits (period = 2<sup>6</sup> × 50 ns) and two other bits provide a 12.5 ns resolution. However, because the actually obtained resolution is 25 ns, said resolution is accomplished artificially. To obtain a 12.5 ns resolution, the first, second, and third pulses are output by adding 25 ns, 0 ns, and 25 ns, respectively. In this way, a 12.5 ns resolution is realized as being “equivalent to.”

The minimum equivalent width of the pulse is 0.2 μs (data “10”), and the maximum equivalent width of the pulse is 3.0 μs (data “F0”: “3B” + “0”).



Pulse width = (6 high-order bits of data × 50 ns) + (2 low-order bits of data \*)

\* The equivalent plus times in 2 low-order bits of data are shown below.

2-bit data	Equivalent plus time
0 0	0 ns
0 1	12.5 ns
1 0	25 ns
1 1	37.5 ns

Figure 19-4 Shows a typical waveform in 6-bit mode. (The values are for X1 = 20 MHz.)

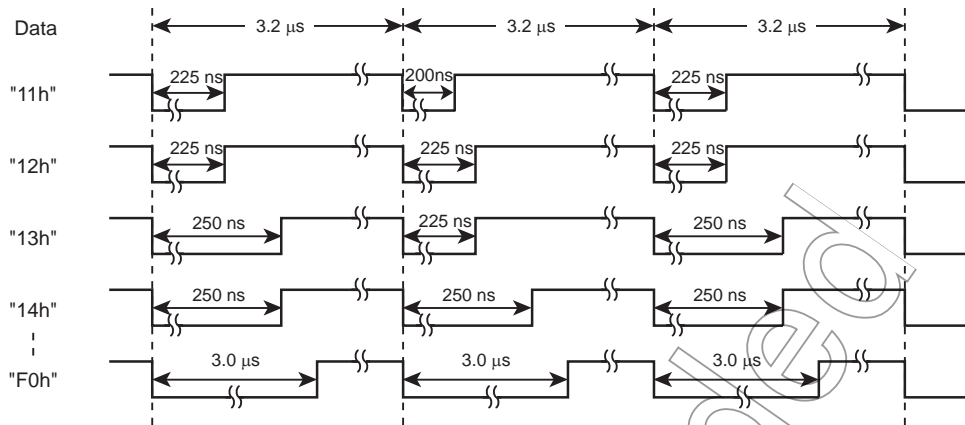


Figure 19-4 6-Bit Mode

Note: The resolution of the LSB 2 bit (12.5 nsec) is a typical value and its precision is not guaranteed.

### 19.3.2 Setting output data

To set output data, write it to the Data Registers (HPWMDR0 and 1).

Example: To output a 5.75 μs waveform in 7-bit mode using HPWM0 when the source clock (X1) = 20 MHz



Because the resolution in 7-bit mode is 50 ns, to output a 5.75 μs pulse

$$5.75 \mu\text{s} \div 50 \text{ ns} = 115 = 73\text{H}$$

Because 73H is placed in the 7 high-order bits, the value is shifted one bit to become E6H. Therefore, set E6H in the Data Register (HPWMDR0).

Not for New Design

Not Recommended  
for New Design



## 20. Flash Memory

TMP88FW45AFG has 122880 bytes flash memory (address: 04000H to 21EFFH and FFF00H to FFFFH). The write and erase operations to the flash memory are controlled in the following three types of mode.

- MCU mode

The flash memory is accessed by the CPU control in the MCU mode. This mode is used for software bug correction and firmware change after shipment of the device since the write operation to the flash memory is available by retaining the application behavior.

- Serial PROM mode

The flash memory is accessed by the CPU control in the serial PROM mode. Use of the serial interface (UART) enables the flash memory to be controlled by the small number of pins. TMP88FW45AFG in the serial PROM mode supports on-board programming which enables users to program flash memory after the microcontroller is mounted on a user board.

- Parallel PROM mode

The parallel PROM mode allows the flash memory to be accessed as a stand-alone flash memory by the program writer provided by the third party. High-speed access to the flash memory is available by controlling address and data signals directly. For the support of the program writer, please ask Toshiba sales representative.

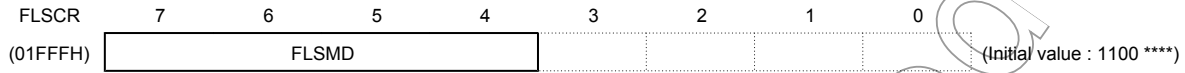
In the MCU and serial PROM modes, the flash memory control register (FLSCR) is used for flash memory control. This chapter describes how to access the flash memory using the flash memory control register (FLSCR) in the MCU and serial PROM modes.

Not Recommended for New Design

## 20.1 Flash Memory Control

The flash memory is controlled via the flash memory control register (FLSCR) and flash memory standby control register (FLSSTB).

### Flash Memory Control Register



FLSMD	Flash memory command sequence execution control	1100: Disable command sequence execution 0011: Enable command sequence execution Others: Reserved	R/W
-------	-------------------------------------------------	---------------------------------------------------------------------------------------------------------	-----

Note 1: The command sequence of the flash memory can be executed only when FLSCR<FLSMD>="0011B". In other cases, any attempts to execute the command sequence are ineffective.

Note 2: FLSCR<FLSMD> must be set to either "1100B" or "0011B".

Note 3: Bits 3 to 0 in FLSCR register are always read as don't care.

### 20.1.1 Flash Memory Command Sequence Execution Control (FLSCR<FLSMD>)

The flash memory can be protected from inadvertent write due to program error or microcontroller misoperation. This write protection feature is realized by disabling flash memory command sequence execution via the flash memory control register (write protect). To enable command sequence execution, set FLSCR<FLSMD> to "0011B". To disable command sequence execution, set FLSCR<FLSMD> to "1100B". After reset, FLSCR<FLSMD> is initialized to "1100B" to disable command sequence execution. Normally, FLSCR<FLSMD> should be set to "1100B" except when the flash memory needs to be written or erased.

## 20.2 Command Sequence

The command sequence in the MCU and the serial PROM modes consists of six commands (JEDEC compatible), as shown in Table 20-1.

Table 20-1 Command Sequence

	Command Sequence	1st Bus Write Cycle		2nd Bus Write Cycle		3rd Bus Write Cycle		4th Bus Write Cycle		5th Bus Write Cycle		6th Bus Write Cycle	
		Address	Data	Address	Data	Address	Data	Address	Data	Address	Data	Address	Data
1	1 Byte program	04555H	AAH	04AAAH	55H	04555H	A0H	BA (Note 1)	Data (Note 1)	-	-	-	-
2	Sector Erase (4-kbyte Erase)	04555H	AAH	04AAAH	55H	04555H	80H	04555H	AAH	04AAAH	55H	SA (Note 2)	30H
3	Chip Erase (All Erase)	04555H	AAH	04AAAH	55H	04555H	80H	04555H	AAH	04AAAH	55H	04555H	10H
4	Product ID Entry	04555H	AAH	04AAAH	55H	04555H	90H	-	-	-	-	-	-
5	Product ID Exit	XXH	F0H	-	-	-	-	-	-	-	-	-	-
	Product ID Exit	04555H	AAH	04AAAH	55H	04555H	F0H	-	-	-	-	-	-
6	Security Program	04555H	AAH	04AAAH	55H	04555H	A5H	04F7FH	00H	-	-	-	-

Note 1: Set the address and data to be written.

Note 2: Set the address which is the specified sector. (The area to be erased is specified with the upper 8 bits of the address.)  
(Example) In case "Sector 1", SA is "0x05yyy".

### 20.2.1 Byte Program

This command writes the flash memory for each byte unit. The addresses and data to be written are specified in the 4th bus write cycle. Each byte can be programmed in a maximum of 40  $\mu$ s. The next command sequence cannot be executed until the write operation is completed. To check the completion of the write operation, perform read operations repeatedly until the same data is read twice from the same address in the flash memory. During the write operation, any consecutive attempts to read from the same address is reversed bit 6 of the data (toggling between 0 and 1).

Note: To rewrite data to Flash memory addresses at which data (including FFH) is already written, make sure to erase the existing data by "sector erase" or "chip erase" before rewriting data.

### 20.2.2 Sector Erase (4-kbyte Erase)

This command erases the flash memory in units of 4 kbytes. The flash memory area to be erased is specified by the upper 4 bits of the 6th bus write cycle address. For example, to erase 4 kbytes from F000H to FFFFH, specify one of the addresses in F000H-FFFFH as the 6th bus write cycle. The sector erase command is effective only in the MCU and serial PROM modes, and it cannot be used in the parallel PROM mode.

A maximum of 30 ms is required to erase 4 kbytes. The next command sequence cannot be executed until the erase operation is completed. To check the completion of the erase operation, perform read operations repeatedly for data polling until the same data is read twice from the same address in the flash memory. During the erase operation, any consecutive attempts to read from the same address is reversed bit 6 of the data (toggling between 0 and 1).

### 20.2.3 Chip Erase (All Erase)

This command erases the entire flash memory in approximately 30 ms. The next command sequence cannot be executed until the erase operation is completed. To check the completion of the erase operation, perform read operations repeatedly for data polling until the same data is read twice from the same address in the flash memory. During the erase operation, any consecutive attempts to read from the same address is reversed bit 6 of the data (toggling between 0 and 1). After the chip is erased, all bytes contain FFH.

### 20.2.4 Product ID Entry

This command activates the Product ID mode. In the Product ID mode, the vendor ID, the flash ID, and the security program status can be read from the flash memory.

Table 20-2 Values To Be Read in the Product ID Mode

Cell	Address	Meaning	Read Value
1	04000H	Vendor ID	98H
	04001H	Flash macro ID	41H
	04002H	Flash size	1DH: 120 kbytes 0EH: 60 kbytes 0BH: 48 kbytes 07H: 32 kbytes 05H: 24 kbytes 03H: 16 kbytes 01H: 8 kbytes 00H: 4 kbytes
	04F7FH	Security program status	FFH: Security program disabled Other than FFH: Security program enabled

Note: The value at address 04002H (flash size) depends on the size of flash memory incorporated in each product. For example, if the product has 16-kbyte flash memory, "03H" is read from address 04002H.

### 20.2.5 Product ID Exit

This command is used to exit the Product ID mode.

### 20.2.6 Security Program

This command enables the read/write protection setting in the flash memory. When the security program is enabled, the flash memory cannot be read and cannot be written in the parallel PROM mode. In the serial PROM mode, the flash write and RAM loader commands cannot be executed.

To disable the security program setting, it is necessary to execute the chip erase command sequence. Whether or not the security program is enabled can be checked by reading 04F7FH in the Product ID mode. For details, see Table 20-2.

It takes a maximum of 40  $\mu$ s to set security program in the flash memory. The next command sequence cannot be executed until this operation is completed. To check the completion of the security program operation, perform read operations repeatedly for data polling until the same data is read twice from the same address in the flash memory. During the security program operation, any attempts to read from the same address is reversed bit 6 of the data (toggling between 0 and 1).

## 20.3 Toggle Bit (D6)

After the byte program, chip erase, and security program command sequence is executed, any consecutive attempts to read from the same address is reversed bit 6 (D6) of the data (toggling between 0 and 1) until the operation is completed. Therefore, this toggle bit provides a software mechanism to check the completion of each operation. Usually perform read operations repeatedly for data polling until the same data is read twice from the same address in the flash memory. After the byte program, chip erase, or security program command sequence is executed, the initial read of the toggle bit always produces a "1".

## 20.4 Access to the Flash Memory Area

When the write, erase and security program are set in the flash memory, read and fetch operations cannot be performed in the entire flash memory area. Therefore, to perform these operations in the entire flash memory area, access to the flash memory area by the control program in the BOOTROM or RAM area. (The flash memory program cannot write to the flash memory.) The serial PROM or MCU mode is used to run the control program in the BOOTROM or RAM area.

Note 1: The flash memory can be written or read for each byte unit. Erase operations can be performed either in the entire area or in units of 4 kbytes, whereas read operations can be performed by an one transfer instruction. However, the command sequence method is adopted for write and erase operations, requiring several-byte transfer instructions for each operation.

Note 2: To rewrite data to Flash memory addresses at which data (including FFH) is already written, make sure to erase the existing data by "sector erase" or "chip erase" before rewriting data.

### 20.4.1 Flash Memory Control in the Serial PROM Mode

The serial PROM mode is used to access to the flash memory by the control program provided in the BOOTROM area. Since almost of all operations relating to access to the flash memory can be controlled simply by the communication data of the serial interface (UART), these functions are transparent to the user. For the details of the serial PROM mode, see "Serial PROM Mode."

To access to the flash memory by using peripheral functions in the serial PROM mode, run the RAM loader command to execute the control program in the RAM area. The procedures to execute the control program in the RAM area is shown in "20.4.1.1 How to write to the flash memory by executing the control program in the RAM area (in the RAM loader mode within the serial PROM mode)".

#### 20.4.1.1 How to write to the flash memory by executing the control program in the RAM area (in the RAM loader mode within the serial PROM mode)

(Steps 1 and 2 are controlled by the BOOTROM, and steps 3 to 9 are controlled by the control program executed in the RAM area.)

1. Transfer the write control program to the RAM area in the RAM loader mode.
2. Jump to the RAM area.
3. Disable (DI) the interrupt master enable flag (IMF←"0").
4. Set FLSCR<FLSMD> to "0011B" (to enable command sequence execution).
5. Execute the erase command sequence.
6. Read the same flash memory address twice.  
(Repeat step 6 until the same data is read by two consecutive reads operations.)
7. Execute the write command sequence.
8. Read the same flash memory address twice.  
(Repeat step 8 until the same data is read by two consecutive reads operations.)
9. Set FLSCR<FLSMD> to "1100B" (to disable command sequence execution).

Note 1: Before writing to the flash memory in the RAM area, disable interrupts by setting the interrupt master enable flag (IMF) to "0". Usually disable interrupts by executing the DI instruction at the head of the write control program in the RAM area.

Note 2: Since the watchdog timer is disabled by the BOOTROM in the RAM loader mode, it is not required to disable the watchdog timer by the RAM loader program.

Example :After chip erasure, the program in the RAM area writes data 3FH to address F000H.

```

DI                : Disable interrupts (IMF← "0")
LD      (FLSCR),0011_1000B  : Enable command sequence execution.
LD      IX,04555H
LD      IY,04AAAH
LD      HL,0F000H
;#### Flash Memory Chip erase Process ####
LD      (IX),0AAH           : 1st bus write cycle
LD      (IY),55H           : 2nd bus write cycle
LD      (IX),80H           : 3rd bus write cycle
LD      (IX),0AAH           : 4th bus write cycle
LD      (IY),55H           : 5th bus write cycle
LD      (IX),10H           : 6th bus write cycle
sLOOP1: LD      A,(IX)
        CMP     A,(IX)
        JR      NZ,sLOOP1   : Loop until the same value is read.
;#### Flash Memory Write Process ####
LD      (IX),0AAH           : 1st bus write cycle
LD      (IY),55H           : 2nd bus write cycle
LD      (IX),0A0H           : 3rd bus write cycle
LD      (HL),3FH           : 4th bus write cycle, (F000H) = 3FH
sLOOP2: LD      A,(HL)
        CMP     A,(HL)
        JR      NZ,sLOOP2   : Loop until the same value is read.
LD      (FLSCR),1100_1000B  : Disable command sequence execution.
sLOOP3: JP      sLOOP3

```

Not Recommended for New Design

## 20.4.2 Flash Memory Control in the MCU mode

In the MCU mode, write operations are performed by executing the control program in the RAM area. Before execution of the control program, copy the control program into the RAM area or obtain it from the external using the communication pin. The procedures to execute the control program in the RAM area in the MCU mode are described below.

### 20.4.2.1 How to write to the flash memory by executing a user write control program in the RAM area (in the MCU mode)

(Steps 1 and 2 are controlled by the program in the flash memory, and steps 3 through 11 are controlled by the control program in the RAM area.)

1. Transfer the write control program to the RAM area.
2. Jump to the RAM area.
3. Disable (DI) the interrupt master enable flag (IMF ← "0").
4. Disable the watchdog timer, if it is used.
5. Set FLSCR<FLSMD> to "0011B" (to enable command sequence execution).
6. Execute the erase command sequence.
7. Read the same flash memory address twice.  
(Repeat step 7 until the same data is read by two consecutive read operations.)
8. Execute the write command sequence.
9. Read the same flash memory address twice.  
(Repeat step 9 until the same data is read by two consecutive read operations.)
10. Set FLSCR<FLSMD> to "1100B" (to disable command sequence execution).
11. Jump to the flash memory area.

Note 1: Before writing to the flash memory in the RAM area, disable interrupts by setting the interrupt master enable flag (IMF) to "0". Usually disable interrupts by executing the DI instruction at the head of the write control program in the RAM area.

Note 2: When writing to the flash memory, do not intentionally use non-maskable interrupts (the watchdog timer must be disabled if it is used). If a non-maskable interrupt occurs while the flash memory is being written, unexpected data is read from the flash memory (interrupt vector), resulting in malfunction of the microcontroller.

Example :After sector erasure (E000H-EFFFH), the program in the RAM area writes data 3FH to address E000H.

```

DI                : Disable interrupts (IMF←"0")
LD                (WDTCR2),4EH    : Clear the WDT binary counter.
LDW              (WDTCR1),0B101H  : Disable the WDT.
LD               (FLSCR),0011_1000B : Enable command sequence execution.
LD               IX,04555H
LD               IY,04AAAH
LD               HL,0E000H
;#### Flash Memory Sector Erase Process ####
LD               (IX),0AAH        : 1st bus write cycle
LD               (IY),55H        : 2nd bus write cycle
LD               (IX),80H        : 3rd bus write cycle
LD               (IX),0AAH        : 4th bus write cycle
LD               (IY),55H        : 5th bus write cycle
LD               (HL),30H        : 6th bus write cycle
sLOOP1:          LD               A,(IX)
CMP              A,(IX)
JR               NZ,sLOOP1       : Loop until the same value is read.
;#### Flash Memory Write Process ####
LD               (IX),0AAH        : 1st bus write cycle
LD               (IY),55H        : 2nd bus write cycle
LD               (IX),0A0H        : 3rd bus write cycle
LD               (HL),3FH        : 4th bus write cycle, (E000H)=3FH
sLOOP2:          LD               A,(HL)
CMP              A,(HL)
JR               NZ,sLOOP2       : Loop until the same value is read.
LD               (FLSCR),1100_1000B : Disable command sequence execution.
JP               (XXXXH)         : Jump to the flash memory area.

```

Example :This write control program reads data from address F000H and stores it to 98H in the RAM area.

```

LD               A,(0F000H)       : Read data from address F000H.
LD               (98H),A         : Store data to address 98H.

```



## 21. Serial PROM Mode

### 21.1 Outline

The TMP88FW45AFG has a 4096 byte BOOTROM (Mask ROM) for programming to flash memory. The BOOTROM is available in the serial PROM mode, and controlled by TEST, BOOT, RESET and some pins. Communication is performed via UART. The serial PROM mode has seven types of operating mode: Flash memory writing, RAM loader, Flash memory SUM output, Product ID code output, Flash memory status output, Flash memory erasing and Flash memory security program setting. Memory address mapping in the serial PROM mode differs from that in the MCU mode. Figure 21-1 shows memory address mapping in the serial PROM mode.

Table 21-1 Operating Range in the Serial PROM Mode

Parameter	Min	Max	Unit
Power supply	4.5	5.5	V
High frequency (Note)	8	20	MHz

Note 1: Though included in above operating range, some of high frequencies are not supported in the serial PROM mode. For details, refer to "Table 21-5".

Note 2: In Serial PROM mode, accessing to registers of oscillation frequency detection is disabled. Therefore oscillation frequency detection is not available in the Serial PROM mode.

### 21.2 Memory Mapping

The Figure 21-1 shows memory mapping in the Serial PROM mode and MCU mode.

In the serial PROM mode, the BOOTROM (Mask ROM) is mapped in addresses from 3000H to 3FFFH.

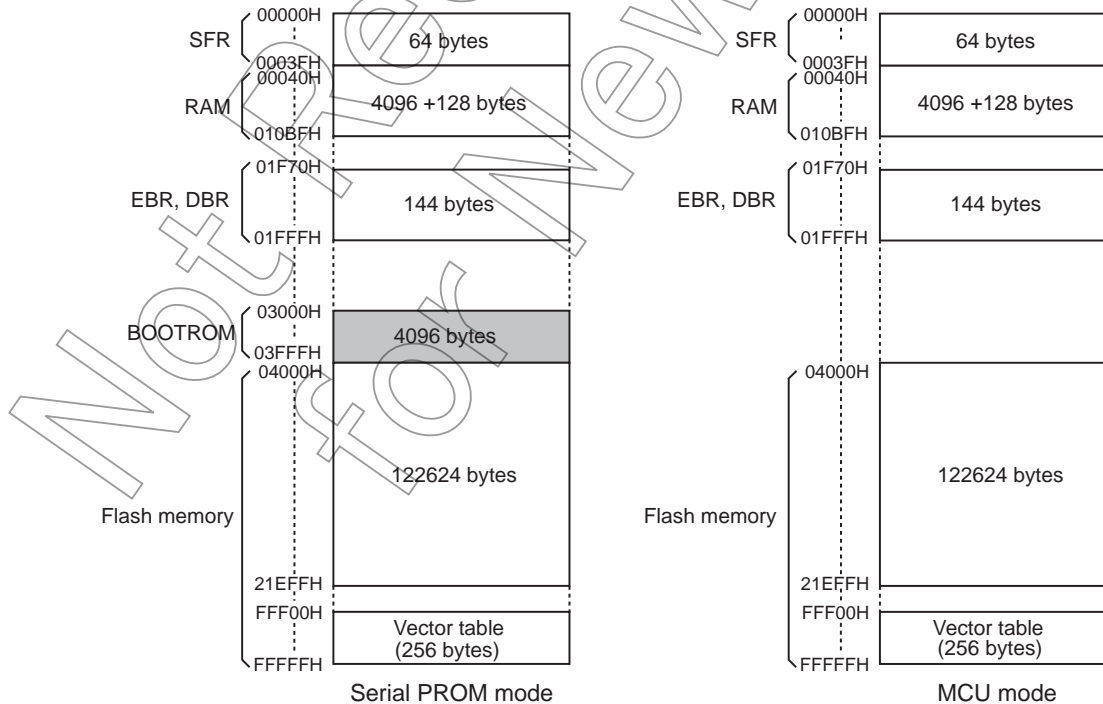



Figure 21-1 Memory Address Maps

## 21.3 Serial PROM Mode Setting

### 21.3.1 Serial PROM Mode Control Pins

To execute on-board programming, activate the serial PROM mode. Table 21-2 shows pin setting to activate the serial PROM mode.

Table 21-2 Serial PROM Mode Setting

Pin	Setting
P10, P11	Low
TEST pin	High
BOOT/RXD1 pin	High
RESET pin	

Note: The BOOT pin is shared with the UART communication pin (RXD1 pin) in the serial PROM mode. This pin is used as UART communication pin after activating serial PROM mode

### 21.3.2 Pin Function

In the serial PROM mode, TXD1 (P45) and RXD1 (P44) are used as a serial interface pin.

Table 21-3 Pin Function in the Serial PROM Mode

Pin Name (Serial PROM Mode)	Input/ Output	Function	Pin Name (MCU Mode)
TXD1	Output	Serial data output (Note 3)	P45
BOOT/RXD1	Input/Input	Serial PROM mode control/Serial data input	P44
RESET	Input	Serial PROM mode control	RESET
TEST	Input	Fixed to high	TEST
VDD, AVDD	Power supply	4.5 to 5.5 V	
VSS, AVSS	Power supply	0 V	
VAREF	Power supply	Leave open or apply input reference voltage.	
P10, P11	Input	Fixed to low	
I/O ports except P45, P44	I/O	These ports are in the high-impedance state in the serial PROM mode. The input level is fixed to the port inputs with a hardware feature to prevent overlap current. (The port inputs are invalid.) To make the port inputs valid, set the pin of the SPCR register to "1" by the RAM loader control program.	
XIN	Input	Self-oscillate with an oscillator.	(Note 2)
XOUT	Output		

Note 1: During on-board programming with other parts mounted on a user board, be careful not to affect these communication control pins.

Note 2: Operating range of high frequency in serial PROM mode is 8 MHz to 20 MHz.

Note 3: TXD port is set as an open-drain port in serial PROM mode and it needs a pull-up resistor.

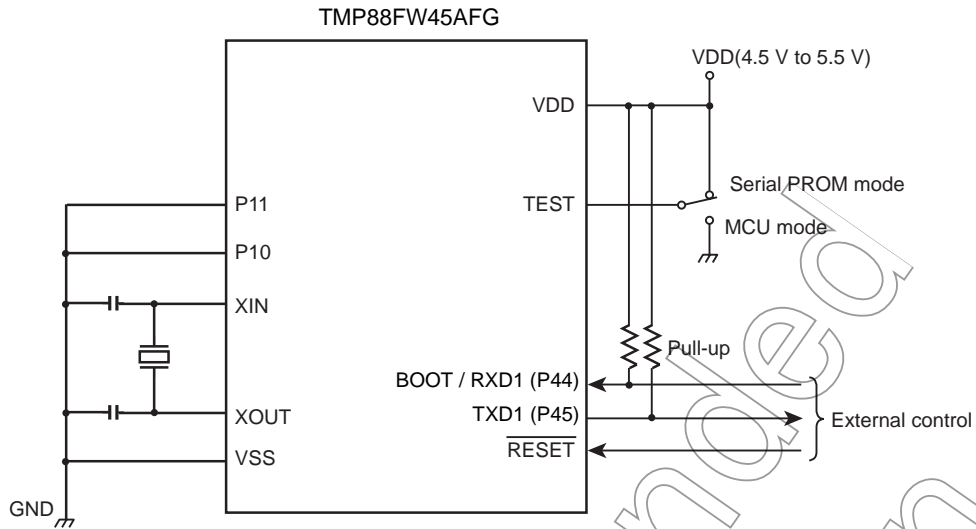


Figure 21-2 Serial PROM Mode Pin Setting

Note 1: For connection of other pins, refer to "Table 21-3 Pin Function in the Serial PROM Mode".

### 21.3.3 Example Connection for On-Board Writing

Figure 21-3 shows an example connection to perform on-board writing.

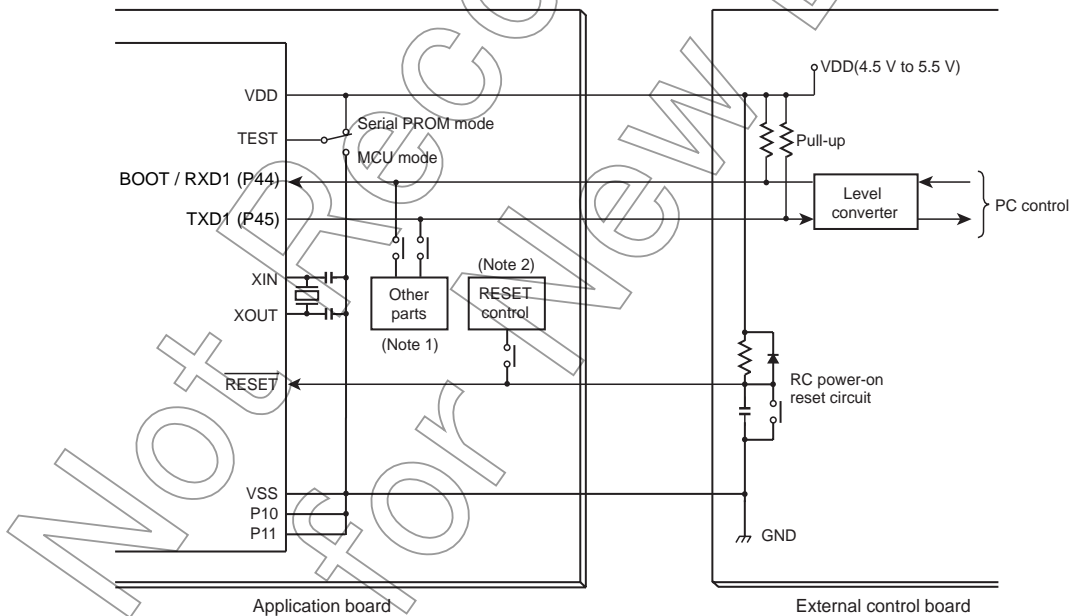


Figure 21-3 Example Connection for On-Board Writing

Note 1: When other parts on the application board effect the UART communication in the serial PROM mode, isolate these pins by a jumper or switch.

Note 2: When the reset control circuit on the application board effects activation of the serial PROM mode, isolate the pin by a jumper or switch.

Note 3: For connection of other pins, refer to "Table 21-3 Pin Function in the Serial PROM Mode".

### 21.3.4 Activating the Serial PROM Mode

The following is a procedure to activate the serial PROM mode. "Figure 21-4 Serial PROM Mode Timing" shows a serial PROM mode timing.

1. Supply power to the VDD pin.
2. Set the  $\overline{\text{RESET}}$  pin to low.
3. Set the TEST pin and BOOT/RXD1 pins to high. And set P10,P11 pins to low.
4. Wait until the power supply and clock oscillation stabilize.
5. Set the  $\overline{\text{RESET}}$  pin to high.
6. Input the matching data (5AH) to the BOOT/RXD1 pin after setup sequence. For details of the setup timing, refer to "21.16 UART Timing".

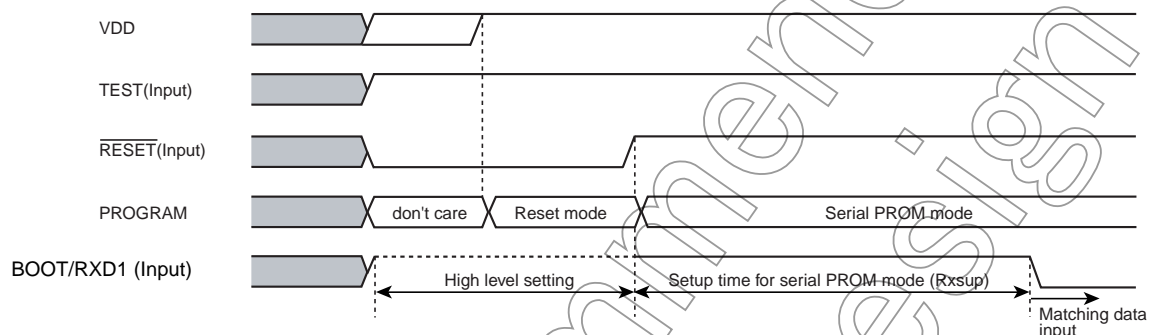


Figure 21-4 Serial PROM Mode Timing

## 21.4 Interface Specifications for UART

The following shows the UART communication format used in the serial PROM mode.

To perform on-board programming, the communication format of the write controller must also be set in the same manner.

The default baud rate is 9600 bps regardless of operating frequency of the microcontroller. The baud rate can be modified by transmitting the baud rate modification data shown in Table 21-4 to TMP88FW45AFG. The Table 21-5 shows an operating frequency and baud rate. The frequencies which are not described in Table 21-5 can not be used.

- Baud rate (Default): 9600 bps
- Data length: 8 bits
- Parity addition: None
- Stop bit: 1 bit

Table 21-4 Baud Rate Modification Data

Baud rate modification data	04H	05H	06H	07H	0AH	18H	28H
Baud rate (bps)	76800	62500	57600	38400	31250	19200	9600

Table 21-5 Operating Frequency and Baud Rate in the Serial PROM Mode

(Note 3)	Reference Baud Rate (bps)		76800		62500		57600		38400		31250		19200		9600	
	Baud Rate Modification Data		04H		05H		06H		07H		0AH		18H		28H	
	Ref. Frequency (MHz)	Rating (MHz)	Baud rate (bps)	(%)	(bps)	(%)	(bps)	(%)	(bps)	(%)	(bps)	(%)	(bps)	(%)	(bps)	(%)
1	8	7.64 to 8.39	-	-	62500	0.00	-	-	38462	+0.16	31250	0.00	19231	+0.16	9615	+0.16
2	9.8304	9.40 to 10.32	76800	0.00	-	-	-	-	38400	0.00	-	-	19200	0.00	9600	0.00
	10	9.40 to 10.32	78125	+1.73	-	-	-	-	39063	+1.73	-	-	19531	+1.73	9766	+1.73
3	12	11.75 to 12.90	-	-	-	-	57692	+0.16	-	-	31250	0.00	18750	-2.34	9375	-2.34
	12.288	11.75 to 12.90	-	-	-	-	59077	+2.56	-	-	32000	+2.40	19200	0.00	9600	0.00
	12.5	11.75 to 12.90	-	-	60096	-3.85	60096	+4.33	-	-	30048	-3.85	19531	+1.73	9766	+1.73
4	14.7456	14.10 to 15.48	-	-	-	-	57600	0.00	38400	0.00	-	-	19200	0.00	9600	0.00
5	16	15.27 to 16.77	76923	+0.16	62500	0.00	-	-	38462	+0.16	31250	0.00	19231	+0.16	9615	+0.16
6	18	17.62 to 19.35	-	-	-	-	-	-	-	-	-	-	20089	+4.63	9975	+2.34
	19.668	18.80 to 20.64	76800	0.00	-	-	-	-	38400	0.00	30720	-1.70	19200	0.00	9600	0.00
7	20	18.80 to 20.64	76923	+1.73	-	-	-	-	39063	+0.16	31250	0.00	19531	+1.73	9766	+1.73

Note 1: "Ref. Frequency" and "Rating" show frequencies available in the serial PROM mode. Though the frequency is supported in the serial PROM mode, the serial PROM mode may not be activated correctly due to the frequency difference in the external controller (such as personal computer) and oscillator, and load capacitance of communication pins.

Note 2: It is recommended that the total frequency difference is within  $\pm 3\%$  so that auto detection is performed correctly by the reference frequency.

Note 3: The external controller must transmit the matching data (5AH) repeatedly till the auto detection of baud rate is performed. This number indicates the number of times the matching data is transmitted for each frequency.

## 21.5 Operation Command

The eight commands shown in Table 21-6 are used in the serial PROM mode. After reset release, the TMP88FW45AFG waits for the matching data (5AH).

Table 21-6 Operation Command in the Serial PROM Mode

Command Data	Operating Mode	Description
5AH	Setup	Matching data. Execute this command after releasing the reset.
F0H	Flash memory erasing	Erases the flash memory area (address 4000H to 21EFFH, and FFF00 to FFFFFH).
30H	Flash memory writing	Writes to the flash memory area (address 4000H to 21EFFH, and FFF00 to FFFFFH).
60H	RAM loader	Writes to the specified RAM area (address 0040H to 10BFH).
90H	Flash memory SUM output	Outputs the 2-byte checksum upper byte and lower byte in this order for the entire area of the flash memory (address 4000H to 21EFFH, and FFF00 to FFFFFH).
C0H	Product ID code output	Outputs the product ID code (13-byte data).
C3H	Flash memory status output	Outputs the status code (7-byte data) such as the security program condition.
FAH	Flash memory security program setting	Enables the security program.

## 21.6 Operation Mode

The serial PROM mode has seven types of modes, that are (1) Flash memory erasing, (2) Flash memory writing, (3) RAM loader, (4) Flash memory SUM output, (5) Product ID code output, (6) Flash memory status output and (7) Flash memory security program setting modes. Description of each mode is shown below.

### 1. Flash memory erasing mode

The flash memory is erased by the chip erase (erasing an entire flash area) or sector erase (erasing sectors in 4-kbyte units). The erased area is filled with FFH. When the security program is enabled, the sector erase in the flash erasing mode can not be performed. To disable the security program, perform the chip erase. Before erasing the flash memory, TMP88FW45AFG checks the passwords except a blank product. If the password is not matched, the flash memory erasing mode is not activated.

### 2. Flash memory writing mode

Data is written to the specified flash memory address for each byte unit. The external controller must transmit the write data in the Intel Hex format (Binary). If no error is encountered till the end record, TMP88FW45AFG calculates the checksum for the entire flash memory area (4000H to 21EFFH, and FFF00H to FFFFFH), and returns the obtained result to the external controller. When the security program is enabled, the flash memory writing mode is not activated. In this case, perform the chip erase command beforehand in the flash memory erasing mode. Before activating the flash memory writing mode, TMP88FW45AFG checks the password except a blank product. If the password is not matched, flash memory writing mode is not activated.

### 3. RAM loader mode

The RAM loader transfers the data in Intel Hex format sent from the external controller to the internal RAM. When the transfer is completed normally, the RAM loader calculates the checksum. After transmitting the results, the RAM loader jumps to the RAM address specified with the first data record in order to execute the user program. When the security program is enabled, the RAM loader mode is not activated. In this case, perform the chip erase beforehand in the flash memory erasing mode. Before activating the RAM loader mode, TMP88FW45AFG checks the password except a blank product. If the password is not matched, flash RAM loader mode is not activated.

### 4. Flash memory SUM output mode

The checksum is calculated for the entire flash memory area (4000H to 21EFFH, and FFF00H to FFFFFH), and the result is returned to the external controller. Since the BOOTROM does not support the operation command to read the flash memory, use this checksum to identify programs when managing revisions of application programs.

5. Product ID code output mode

The code used to identify the product is output. The code to be output consists of 21-byte data, which includes the information indicating the area of the ROM incorporated in the product. The external controller reads this code, and recognizes the product to write.

(In the case of TMP88FW45AFG, the addresses from 4000H to 21EFFH, and FFF00H to FFFFFH become the ROM area.)

6. Flash memory status output mode

The status of the area from FFFE0H to FFFFFH, and the security program condition are output as 7-byte code. The external controller reads this code to recognize the flash memory status.

7. Flash memory security program setting mode

This mode disables reading and writing the flash memory data in parallel PROM mode. In the serial PROM mode, the flash memory writing and RAM loader modes are disabled. To disable the flash memory security program, perform the chip erase in the flash memory erasing mode.

Not Recommended  
for New Design

### 21.6.1 Flash Memory Erasing Mode (Operating command: F0H)

Table 21-7 shows the flash memory erasing mode.

Table 21-7 Flash Memory Erasing Mode

	Transfer Byte	Transfer Data from the External Controller to TMP88FW45AFG	Baud Rate	Transfer Data from TMP88FW45AFG to the External Controller
BOOT ROM	1st byte 2nd byte	Matching data (5AH) -	9600 bps 9600 bps	- (Automatic baud rate adjustment) OK: Echo back data (5AH) Error: No data transmitted
	3rd byte 4th byte	Baud rate change data (Table 21-4) -	9600 bps 9600 bps	OK: Echo back data Error: A1H × 3, A3H × 3, 62H × 3 (Note 1)
	5th byte 6th byte	Operation command data (F0H) -	Modified baud rate Modified baud rate	- OK: Echo back data (F0H) Error: A1H × 3, A3H × 3, 63H × 3 (Note 1)
	7th byte 8th byte	Password count storage address bit 23 to 16 (Note 4, 5)	Modified baud rate Modified baud rate	- OK: Nothing transmitted Error: Nothing transmitted
	9th byte 10th byte	Password count storage address bit 15 to 08 (Note 4, 5)	Modified baud rate Modified baud rate	- OK: Nothing transmitted Error: Nothing transmitted
	11th byte 12th byte	Password count storage address bit 07 to 00 (Note 4, 5)	Modified baud rate Modified baud rate	- OK: Nothing transmitted Error: Nothing transmitted
	13th byte 14th byte	Password comparison start address bit 23 to 16 (Note 4, 5)	Modified baud rate Modified baud rate	- OK: Nothing transmitted Error: Nothing transmitted
	15th byte 16th byte	Password comparison start address bit 15 to 08 (Note 4, 5)	Modified baud rate Modified baud rate	- OK: Nothing transmitted Error: Nothing transmitted
	17th byte 18th byte	Password comparison start address bit 07 to 00 (Note 4, 5)	Modified baud rate Modified baud rate	- OK: Nothing transmitted Error: Nothing transmitted
	19th byte : m'th byte	Password string (Note 4, 5) -	Modified baud rate Modified baud rate	- OK: Nothing transmitted Error: Nothing transmitted
	n'th - 2 byte	Erase area specification (Note 2)	Modified baud rate	-
	n'th - 1 byte	-	Modified baud rate	OK: Checksum (Upper byte) (Note 3) Error: Nothing transmitted
	n'th byte	-	Modified baud rate	OK: Checksum (Lower byte) (Note 3) Error: Nothing transmitted
	n'th + 1 byte	(Wait for the next operation command data)	Modified baud rate	-

Note 1: "xxH × 3" indicates that the device enters the halt condition after transmitting 3 bytes of xxh.

Note 2: Refer to "21.13 Specifying the Erasure Area".

Note 3: Refer to "21.8 Checksum (SUM)".

Note 4: Refer to "21.10 Passwords".

Note 5: Do not transmit the password string for a blank product.

Note 6: When a password error occurs, TMP88FW45AFG stops UART communication and enters the halt mode. Therefore, when a password error occurs, initialize TMP88FW45AFG by the RESET pin and reactivate the serial PROM mode.

Note 7: If an error occurs during transfer of a password address or a password string, TMP88FW45AFG stops UART communication and enters the halt condition. Therefore, when a password error occurs, initialize TMP88FW45AFG by the RESET pin and reactivate the serial PROM mode.



## Description of the flash memory erasing mode

1. The 1st through 4th bytes of the transmitted and received data contain the same data as in the flash memory writing mode.
2. The 5th byte of the received data contains the command data in the flash memory erasing mode (F0H).
3. When the 5th byte of the received data contains the operation command data shown in Table 21-6, the device echoes back the value which is the same data in the 6th byte position of the received data (in this case, F0H). If the 5th byte of the received data does not contain the operation command data, the device enters the halt condition after sending 3 bytes of the operation command error code (63H).
4. The 7th thorough m'th bytes of the transmitted and received data contain the same data as in the flash memory writing mode. In the case of a blank product, do not transmit a password string. (Do not transmit a dummy password string.)
5. The n'th - 2 byte contains the erasure area specification data. The upper 4 bits and lower 4 bits specify the start address and end address of the erasure area, respectively. For the detailed description, see "21.13 Specifying the Erasure Area".
6. The n'th - 1 byte and n'th byte contain the upper and lower bytes of the checksum, respectively. For how to calculate the checksum, refer to "21.8 Checksum (SUM)". Checksum is calculated unless a receiving error or Intel Hex format error occurs. After sending the end record, the external controller judges whether the transmission is completed correctly by receiving the checksum sent by the device.
7. After sending the checksum, the device waits for the next operation command data.

Not Recommended for New Designs

## 21.6.2 Flash Memory Writing Mode (Operation command: 30H)

Table 21-8 shows flash memory writing mode process.

Table 21-8 Flash Memory Writing Mode Process

	Transfer Byte	Transfer Data from External Controller to TMP88FW45AFG	Baud Rate	Transfer Data from TMP88FW45AFG to External Controller
BOOT ROM	1st byte 2nd byte	Matching data (5AH) -	9600 bps 9600 bps	- (Automatic baud rate adjustment) OK: Echo back data (5AH) Error: Nothing transmitted
	3rd byte 4th byte	Baud rate modification data (See Table 21-4) -	9600 bps 9600 bps	OK: Echo back data Error: A1H × 3, A3H × 3, 62H × 3 (Note 1)
	5th byte 6th byte	Operation command data (30H) -	Modified baud rate Modified baud rate	- OK: Echo back data (30H) Error: A1H × 3, A3H × 3, 63H × 3 (Note 1)
	7th byte 8th byte	Password count storage address bit 23 to 16 (Note 4)	Modified baud rate	- OK: Nothing transmitted Error: Nothing transmitted
	9th byte 10th byte	Password count storage address bit 15 to 08 (Note 4)	Modified baud rate	- OK: Nothing transmitted Error: Nothing transmitted
	11th byte 12th byte	Password count storage address bit 07 to 00 (Note 4)	Modified baud rate	- OK: Nothing transmitted Error: Nothing transmitted
	13th byte 14th byte	Password comparison start address bit 23 to 16 (Note 4)	Modified baud rate	- OK: Nothing transmitted Error: Nothing transmitted
	15th byte 16th byte	Password comparison start address bit 15 to 08 (Note 4)	Modified baud rate	- OK: Nothing transmitted Error: Nothing transmitted
	17th byte 18th byte	Password comparison start address bit 07 to 00 (Note 4)	Modified baud rate	- OK: Nothing transmitted Error: Nothing transmitted
	19th byte : m'th byte	Password string (Note 5) -	Modified baud rate	- OK: Nothing transmitted Error: Nothing transmitted
	m'th + 1/byte : n'th - 2 byte	Intel Hex format (binary) (Note 2)	Modified baud rate	- -
	n'th - 1 byte	-	Modified baud rate	OK: SUM (Upper byte) (Note 3) Error: Nothing transmitted
	n'th byte	-	Modified baud rate	OK: SUM (Lower byte) (Note 3) Error: Nothing transmitted
	n'th + 1 byte	(Wait state for the next operation com- mand data)	Modified baud rate	-

Note 1: "xxH × 3" indicates that the device enters the halt condition after sending 3 bytes of xxH. For details, refer to "21.7 Error Code".

Note 2: Refer to "21.9 Intel Hex Format (Binary)".

Note 3: Refer to "21.8 Checksum (SUM)".

Note 4: Refer to "21.10 Passwords".

Note 5: If addresses from FFFE0H to FFFFFH are filled with "FFH", the passwords are not compared because the device is considered as a blank product. Transmitting a password string is not required. Even in the case of a blank product, it is required to specify the password count storage address and the password comparison start address. Transmit these data

from the external controller. If a password error occurs due to incorrect password count storage address or password comparison start address, TMP88FW45AFG stops UART communication and enters the halt condition. Therefore, when a password error occurs, initialize TMP88FW45AFG by the RESET pin and reactivate the serial ROM mode.

Note 6: If the security program is enabled or a password error occurs, TMP88FW45AFG stops UART communication and enters the halt condition. In this case, initialize TMP88FW45AFG by the RESET pin and reactivate the serial ROM mode.

Note 7: If an error occurs during the reception of a password address or a password string, TMP88FW45AFG stops UART communication and enters the halt condition. In this case, initialize TMP88FW45AFG by the RESET pin and reactivate the serial PROM mode.

Note 8: Do not write only the address from FFFE0H to FFFFFH when all flash memory data is the same. If only these area are written, the subsequent operation can not be executed due to password error.

Note 9: To rewrite data to Flash memory addresses at which data (including FFH) is already written, make sure to erase the existing data by "sector erase" or "chip erase" before rewriting data.

#### Description of the flash memory writing mode

1. The 1st byte of the received data contains the matching data. When the serial PROM mode is activated, TMP88FW45AFG (hereafter called device), waits to receive the matching data (5AH). Upon reception of the matching data, the device automatically adjusts the UART's initial baud rate to 9600 bps.
2. When receiving the matching data (5AH), the device transmits an echo back data (5AH) as the second byte data to the external controller. If the device can not recognize the matching data, it does not transmit the echo back data and waits for the matching data again with automatic baud rate adjustment. Therefore, the external controller should transmit the matching data repeatedly till the device transmits an echo back data. The transmission repetition count varies depending on the frequency of device. For details, refer to Table 21-5.
3. The 3rd byte of the received data contains the baud rate modification data. The five types of baud rate modification data shown in Table 21-4 are available. Even if baud rate is not modified, the external controller should transmit the initial baud rate data (28H: 9600 bps).
4. Only when the 3rd byte of the received data contains the baud rate modification data corresponding to the device's operating frequency, the device echoes back data the value which is the same data in the 4th byte position of the received data. After the echo back data is transmitted, baud rate modification becomes effective. If the 3rd byte of the received data does not contain the baud rate modification data, the device enters the halts condition after sending 3 bytes of baud rate modification error code (62H).
5. The 5th byte of the received data contains the command data (30H) to write the flash memory.
6. When the 5th byte of the received data contains the operation command data shown in Table 21-6, the device echoes back the value which is the same data in the 6th byte position of the received data (in this case, 30H). If the 5th byte of the received data does not contain the operation command data, the device enters the halt condition after sending 3 bytes of the operation command error code (63H).
7. The 7th byte contains the data for 23 to 16 bits of the password count storage address. When the data received with the 7th byte has no receiving error, the device does not send any data. If a receiving error or password error occurs, the device does not send any data and enters the halt condition.
8. The 9th byte contains the data for 15 to 8 bits of the password count storage address. When the data received with the 9th byte has no receiving error, the device does not send any data. If a receiving error or password error occurs, the device does not send any data and enters the halt condition.
9. The 11th byte contains the data for 7 to 0 bits of the password count storage address. When the data received with the 11th byte has no receiving error, the device does not send any data. If a receiving error or password error occurs, the device does not send any data and enters the halt condition.
10. The 13th byte contains the data for 23 to 16 bits of the password comparison start address. When the data received with the 13th byte has no receiving error, the device does not send any data. If a receiving error or password error occurs, the device does not send any data and enters the halt condition.
11. The 15th byte contains the data for 15 to 8 bits of the password comparison start address. When the data received with the 15th byte has no receiving error, the device does not send any data. If a receiving error or password error occurs, the device does not send any data and enters the halt condition.
12. The 17th byte contains the data for 7 to 0 bits of the password comparison start address. When the data received with the 17th byte has no receiving error, the device does not send any data. If a receiving error or password error occurs, the device does not send any data and enters the halt condition.
13. The 19th through m'th bytes contain the password data. The number of passwords becomes the data (N) stored in the password count storage address. The external password data is compared with N-byte

data from the address specified by the password comparison start address. The external controller should send N-byte password data to the device. If the passwords do not match, the device enters the halt condition without returning an error code to the external controller. If the addresses from FFFE0H to FFFFFH are filled with "FFH", the passwords are not compared because the device is considered as a blank product.

14. The  $m^{\text{th}} + 1$  through  $n^{\text{th}} - 2$  bytes of the received data contain the binary data in the Intel Hex format. No received data is echoed back to the external controller. After receiving the start mark (3AH for ":") in the Intel Hex format, the device starts data record reception. Therefore, the received data except 3AH is ignored until the start mark is received. After receiving the start mark, the device receives the data record, that consists of data length, address, record type, write data and checksum. Since the device starts checksum calculation after receiving an end record, the external controller should wait for the checksum after sending the end record. If a receiving error or Intel Hex format error occurs, the device enters the halts condition without returning an error code to the external controller.
15. The  $n^{\text{th}} - 1$  and  $n^{\text{th}}$  bytes contain the checksum upper and lower bytes. For details on how to calculate the SUM, refer to "21.8 Checksum (SUM)". The checksum is calculated only when the end record is detected and no receiving error or Intel Hex format error occurs. After sending the end record, the external controller judges whether the transmission is completed correctly by receiving the checksum sent by the device.
16. After transmitting the checksum, the device waits for the next operation command data.

Not Recommended for New Designs

### 21.6.3 RAM Loader Mode (Operation Command: 60H)

Table 21-9 shows RAM loader mode process.

Table 21-9 RAM Loader Mode Process

	Transfer Bytes	Transfer Data from External Controller to TMP88FW45AFG	Baud Rate	Transfer Data from TMP88FW45AFG to External Controller
BOOT ROM	1st byte 2nd byte	Matching data (5AH) -	9600 bps 9600 bps	- (Automatic baud rate adjustment) OK: Echo back data (5AH) Error: Nothing transmitted
	3rd byte 4th byte	Baud rate modification data (See Table 21-4) -	9600 bps 9600 bps	- OK: Echo back data Error: A1H × 3, A3H × 3, 62H × 3 (Note 1)
	5th byte 6th byte	Operation command data (60H) -	Modified baud rate Modified baud rate	- OK: Echo back data (60H) Error: A1H × 3, A3H × 3, 63H × 3 (Note 1)
	7th byte 8th byte	Password count storage address bit 23 to 16 (Note 4)	Modified baud rate	- OK: Nothing transmitted Error: Nothing transmitted
	9th byte 10th byte	Password count storage address bit 15 to 08 (Note 4)	Modified baud rate	- OK: Nothing transmitted Error: Nothing transmitted
	11th byte 12th byte	Password count storage address bit 07 to 00 (Note 4)	Modified baud rate	- OK: Nothing transmitted Error: Nothing transmitted
	13th byte 14th byte	Password comparison start address bit 23 to 16 (Note 4)	Modified baud rate	- OK: Nothing transmitted Error: Nothing transmitted
	15th byte 16th byte	Password comparison start address bit 15 to 08 (Note 4)	Modified baud rate	- OK: Nothing transmitted Error: Nothing transmitted
	17th byte 18th byte	Password comparison start address bit 07 to 00 (Note 4)	Modified baud rate	- OK: Nothing transmitted Error: Nothing transmitted
	19th byte : m'th byte	Password string (Note 5) -	Modified baud rate	- OK: Nothing transmitted Error: Nothing transmitted
	m'th + 1 byte : n'th - 2 byte	Intel Hex format (Binary) (Note-2)	Modified baud rate Modified baud rate	- -
	n'th - 1 byte	-	Modified baud rate	OK: SUM (Upper byte) (Note 3) Error: Nothing transmitted
	n'th byte	-	Modified baud rate	OK: SUM (Lower byte) (Note 3) Error: Nothing transmitted
	RAM	-	The program jumps to the start address of RAM in which the first transferred data is written.	

Note 1: "xxH × 3" indicates that the device enters the halt condition after sending 3 bytes of xxH. For details, refer to "21.7 Error Code".

Note 2: Refer to "21.9 Intel Hex Format (Binary)".

Note 3: Refer to "21.8 Checksum (SUM)".

Note 4: Refer to "21.10 Passwords".

Note 5: If addresses from FFFE0H to FFFFFH are filled with "FFH", the passwords are not compared because the device is considered as a blank product. Transmitting a password string is not required. Even in the case of a blank product, it is required to specify the password count storage address and the password comparison start address. Transmit these data

from the external controller. If a password error occurs due to incorrect password count storage address or password comparison start address, TMP88FW45AFG stops UART communication and enters the halt condition. Therefore, when a password error occurs, initialize TMP88FW45AFG by the RESET pin and reactivate the serial ROM mode.

- Note 6: After transmitting a password string, the external controller must not transmit only an end record. If receiving an end record after a password string, the device may not operate correctly.
- Note 7: If the security program is enabled or a password error occurs, TMP88FW45AFG stops UART communication and enters the halt condition. In this case, initialize TMP88FW45AFG by the RESET pin and reactivate the serial PROM mode.
- Note 8: If an error occurs during the reception of a password address or a password string, TMP88FW45AFG stops UART communication and enters the halt condition. In this case, initialize TMP88FW45AFG by the RESET pin and reactivate the serial PROM mode.
- Note 9: To re-write data for the address of flash memory which has already written data (include "FF" ), make sure to erase the data first by the sector erase or chip erase, and then write new data to the flash memory.

#### Description of RAM loader mode

1. The 1st through 4th bytes of the transmitted and received data contains the same data as in the flash memory writing mode.
2. In the 5th byte of the received data contains the RAM loader command data (60H).
3. When the 5th byte of the received data contains the operation command data shown in Table 21-6, the device echoes back the value which is the same data in the 6th byte position (in this case, 60H). If the 5th byte does not contain the operation command data, the device enters the halt condition after sending 3 bytes of operation command error code (63H).
4. The 7th through m'th bytes of the transmitted and received data contain the same data as in the flash memory writing mode.
5. The m'th + 1 through n'th - 2 bytes of the received data contain the binary data in the Intel Hex format. No received data is echoed back to the external controller. After receiving the start mark (3AH for ":" ) in the Intel Hex format, the device starts data record reception. Therefore, the received data except 3AH is ignored until the start mark is received. After receiving the start mark, the device receives the data record, that consists of data length, address, record type, write data and checksum. The writing data of the data record is written into RAM specified by address. Since the device starts checksum calculation after receiving an end record, the external controller should wait for the checksum after sending the end record. If a receiving error or Intel Hex format error occurs, the device enters the halts condition without returning an error code to the external controller.
6. The n'th - 1 and n'th bytes contain the checksum upper and lower bytes. For details on how to calculate the SUM, refer to "21.8 Checksum (SUM)". The checksum is calculated only when the end record is detected and no receiving error or Intel Hex format error occurs. After sending the end record, the external controller judges whether the transmission is completed correctly by receiving the checksum sent by the device.
7. After transmitting the checksum to the external controller, the boot program jumps to the RAM address that is specified by the first received data record.

Note 1: To rewrite data to Flash memory addresses at which data (including FFH) is already written, make sure to erase the existing data by "sector erase" or "chip erase" before rewriting data.

## 21.6.4 Flash Memory SUM Output Mode (Operation Command: 90H)

Table 21-10 shows flash memory SUM output mode process.

Table 21-10 Flash Memory SUM Output Process

	Transfer Bytes	Transfer Data from External Controller to TMP88FW45AFG	Baud Rate	Transfer Data from TMP88FW45AFG to External Controller
BOOT ROM	1st byte 2nd byte	Matching data (5AH) -	9600 bps 9600 bps	- (Automatic baud rate adjustment) OK: Echo-back data (5AH) Error: Nothing transmitted
	3rd byte 4th byte	Baud rate modification data (See Table 21-4) -	9600 bps 9600 bps	- OK: Echo back data Error: A1H × 3, A3H × 3, 62H × 3 (Note 1)
	5th byte 6th byte	Operation command data (90H) -	Modified baud rate Modified baud rate	- OK: Echo back data (90H) Error: A1H × 3, A3H × 3, 63H × 3 (Note 1)
	7th byte	-	Modified baud rate	OK: SUM (Upper byte) (Note 2) Error: Nothing transmitted
	8th byte	-	Modified baud rate	OK: SUM (Lower byte) (Note 2) Error: Nothing transmitted
	9th byte	(Wait for the next operation command data)	Modified baud rate	-

Note 1: "xxH × 3" indicates that the device enters the halt condition after sending 3 bytes of xxH. For details, refer to "21.7 Error Code".

Note 2: Refer to "21.8 Checksum (SUM)".

### Description of the flash memory SUM output mode

1. The 1st through 4th bytes of the transmitted and received data contains the same data as in the flash memory writing mode.
2. The 5th byte of the received data contains the command data in the flash memory SUM output mode (90H).
3. When the 5th byte of the received data contains the operation command data shown in Table 21-6, the device echoes back the value which is the same data in the 6th byte position of the received data (in this case, 90H). If the 5th byte of the received data does not contain the operation command data, the device enters the halt condition after transmitting 3 bytes of operation command error code (63H).
4. The 7th and the 8th bytes contain the upper and lower bits of the checksum, respectively. For how to calculate the checksum, refer to "21.8 Checksum (SUM)".
5. After sending the checksum, the device waits for the next operation command data.

### 21.6.5 Product ID Code Output Mode (Operation Command: C0H)

Table 21-11 shows product ID code output mode process.

Table 21-11 Product ID Code Output Process

	Transfer Bytes	Transfer Data from External Controller to TMP88FW45AFG	Baud Rate	Transfer Data from TMP88FW45AFG to External Controller	
BOOT ROM	1st byte 2nd byte	Matching data (5AH) -	9600 bps 9600 bps	- (Automatic baud rate adjustment) OK: Echo back data (5AH) Error: Nothing transmitted	
	3rd byte 4th byte	Baud rate modification data (Table 21-4) -	9600 bps 9600 bps	- OK: Echo back data Error: A1H × 3, A3H × 3, 62H × 3 (Note 1)	
	5th byte 6th byte	Operation command data (C0H) -	Modified baud rate Modified baud rate	- OK: Echo back data (C0H) Error: A1H × 3, A3H × 3, 63H × 3 (Note 1)	
	7th byte		Modified baud rate	3AH Start mark	
	8th byte		Modified baud rate	12H The number of transfer data (from 9th to 26th bytes)	
	9th byte		Modified baud rate	03H Length of address (3 bytes)	
	10th byte		Modified baud rate	3DH Reserved data	
	11th byte		Modified baud rate	00H Reserved data	
	12th byte		Modified baud rate	00H Reserved data	
	13th byte		Modified baud rate	00H Reserved data	
	14th byte		Modified baud rate	02H ROM block count (2 block)	
	15th byte		Modified baud rate	00H First address of ROM block 1 (Upper byte)	
	16th byte		Modified baud rate	40H First address of ROM block 1 (Middle byte)	
	17th byte		Modified baud rate	00H First address of ROM block 1 (Lower byte)	
	18th byte		Modified baud rate	02H End address of ROM block 1 (Upper byte)	
	19th byte		Modified baud rate	1EH End address of ROM block 1 (Middle byte)	
	20th byte		Modified baud rate	FFH End address of ROM block 1 (Lower byte)	
	21st byte		Modified baud rate	0FH First address of ROM block 2 (Upper byte)	
	22nd byte		Modified baud rate	FFH First address of ROM block 2 (Middle byte)	
	23rd byte		Modified baud rate	00H First address of ROM block 2 (Lower byte)	
	24th byte		Modified baud rate	0FH End address of ROM block 2 (Upper byte)	
	25th byte		Modified baud rate	FFH End address of ROM block 2 (Middle byte)	
	26th byte		Modified baud rate	FFH End address of ROM block 2 (Lower byte)	
	27th byte		Modified baud rate	44H Checksum of transferred data (9th through 26th byte)	
	28th byte		(Wait for the next operation command data)	Modified baud rate	-



Note: "xxH × 3" indicates that the device enters the halt condition after sending 3 bytes of xxH. For details, refer to "21.7 Error Code".

#### Description of Product ID code output mode

1. The 1st through 4th bytes of the transmitted and received data contain the same data as in the flash memory writing mode.
2. The 5th byte of the received data contains the product ID code output mode command data (C0H).
3. When the 5th byte contains the operation command data shown in Table 21-6, the device echoes back the value which is the same data in the 6th byte position of the received data (in this case, C0H). If the 5th byte data does not contain the operation command data, the device enters the halt condition after sending 3 bytes of operation command error code (63H).
4. The 9th through 26th bytes contain the product ID code. For details, refer to "21.11 Product ID Code".
5. After sending the checksum, the device waits for the next operation command data.

Not Recommended for New Design

## 21.6.6 Flash Memory Status Output Mode (Operation Command: C3H)

Table 21-12 shows Flash memory status output mode process.

Table 21-12 Flash Memory Status Output Mode Process

	Transfer Bytes	Transfer Data from External Controller to TMP88FW45AFG	Baud Rate	Transfer Data from TMP88FW45AFG to External Controller
BOOT ROM	1st byte 2nd byte	Matching data (5AH) -	9600 bps 9600 bps	- (Automatic baud rate adjustment) OK: Echo back data (5AH) Error: Nothing transmitted
	3rd byte 4th byte	Baud rate modification data (See Table 21-4) -	9600 bps 9600 bps	- OK: Echo back data Error: A1H × 3, A3H × 3, 62H × 3 (Note 1)
	5th byte 6th byte	Operation command data (C3H) -	Modified baud rate Modified baud rate	- OK: Echo back data (C3H) Error: A1H × 3, A3H × 3, 63H × 3 (Note 1)
	7th byte		Modified baud rate	3AH Start mark
	8th byte		Modified baud rate	04H Byte count (from 9th to 12th byte)
	9th byte		Modified baud rate	00H Status code 1 to 03H
	10th byte		Modified baud rate	00H Reserved data
	11th byte		Modified baud rate	00H Reserved data
	12th byte		Modified baud rate	00H Reserved data
	13th byte		Modified baud rate	Checksum 2's complement for the sum of 9th through 12th bytes 9th byte Checksum 00H: 00H 01H: FFH 02H: FEH 03H: FDH
	14th byte	(Wait for the next operation command data)	Modified baud rate	-

Note 1: "xxH × 3" indicates that the device enters the halt condition after sending 3 bytes of xxH. For details, refer to "21.7 Error Code".

Note 2: For the details on status code 1, refer to "21.12 Flash Memory Status Code".

### Description of Flash memory status output mode

1. The 1st through 4th bytes of the transmitted and received data contain the same data as in the Flash memory writing mode.
2. The 5th byte of the received data contains the flash memory status output mode command data (C3H).
3. When the 5th byte contains the operation command data shown in Table 21-6, the device echoes back the value which is the same data in the 6th byte position of the received data (in this case, C3H). If the 5th byte does not contain the operation command data, the device enters the halt condition after sending 3 bytes of operation command error code (63H).
4. The 9th through 13th bytes contain the status code. For details on the status code, refer to "21.12 Flash Memory Status Code".
5. After sending the status code, the device waits for the next operation command data.

### 21.6.7 Flash Memory Security Program Setting Mode (Operation Command: FAH)

Table 21-13 shows Flash memory security program setting mode process.

Table 21-13 Flash Memory Security Program Setting Mode Process

	Transfer Bytes	Transfer Data from External Controller to TMP88FW45AFG	Baud Rate	Transfer Data from TMP88FW45AFG to External Controller
BOOT ROM	1st byte 2nd byte	Matching data (5AH) -	9600 bps 9600 bps	- (Automatic baud rate adjustment) OK: Echo back data (5AH) Error: Nothing transmitted
	3rd byte 4th byte	Baud rate modification data (See Table 21-4) -	9600 bps 9600 bps	- OK: Echo back data Error: A1H × 3, A3H × 3, 62H × 3 (Note 1)
	5th byte 6th byte	Operation command data (FAH) -	Modified baud rate Modified baud rate	- OK: Echo back data (FAH) Error: A1H × 3, A3H × 3, 63H × 3 (Note 1)
	7th byte 8th byte	Password count storage address 23 to 16 (Note 2)	Modified baud rate Modified baud rate	- OK: Nothing transmitted Error: Nothing transmitted
	9th byte 10th byte	Password count storage address 15 to 08 (Note 2)	Modified baud rate Modified baud rate	- OK: Nothing transmitted Error: Nothing transmitted
	11th byte 12th byte	Password count storage address 07 to 00 (Note 2)	Modified baud rate Modified baud rate	- OK: Nothing transmitted Error: Nothing transmitted
	13th byte 14th byte	Password comparison start address 23 to 16 (Note 2)	Modified baud rate Modified baud rate	- OK: Nothing transmitted Error: Nothing transmitted
	15th byte 16th byte	Password comparison start address 15 to 08 (Note 2)	Modified baud rate Modified baud rate	- OK: Nothing transmitted Error: Nothing transmitted
	17th byte 18th byte	Password comparison start address 07 to 00 (Note 2)	Modified baud rate Modified baud rate	- OK: Nothing transmitted Error: Nothing transmitted
	19th byte : m'th byte	Password string (Note 2) -	Modified baud rate Modified baud rate	- OK: Nothing transmitted Error: Nothing transmitted
	n'th byte	-	Modified baud rate	OK: FBH (Note 3) Error: Nothing transmitted
	n+1th byte	(Wait for the next operation command/data)	Modified baud rate	-

Note 1: "xxH × 3" indicates that the device enters the halt condition after sending 3 bytes of xxH. For details, refer to "21.7 Error Code".

Note 2: Refer to "21.10 Passwords".

Note 3: If the security program is enabled for a blank product or a password error occurs for a non-blank product, TMP88FW45AFG stops UART communication and enters the halt mode. In this case, initialize TMP88FW45AFG by the RESET pin and reactivate the serial PROM mode.

Note 4: If an error occurs during reception of a password address or a password string, TMP88FW45AFG stops UART communication and enters the halt mode. In this case, initialize TMP88FW45AFG by the RESET pin and reactivate the serial PROM mode.

---

#### Description of the Flash memory security program setting mode

1. The 1st through 4th bytes of the transmitted and received data contain the same data as in the Flash memory writing mode.
2. The 5th byte of the received data contains the command data in the flash memory status output mode (FAH).
3. When the 5th byte of the received data contains the operation command data shown in Table 21-6, the device echoes back the value which is the same data in the 6th byte position of the received data (in this case, FAH). If the 5th byte does not contain the operation command data, the device enters the halt condition after transmitting 3 bytes of operation command error code (63H).
4. The 7th through m'th bytes of the transmitted and received data contain the same data as in the flash memory writing mode.
5. The n'th byte contains the status to be transmitted to the external controller in the case of the successful security program.

Not Recommended  
for New Design

## 21.7 Error Code

When detecting an error, the device transmits the error code to the external controller, as shown in Table 21-14.

Table 21-14 Error Code

Transmit Data	Meaning of Error Data
62H, 62H, 62H	Baud rate modification error.
63H, 63H, 63H	Operation command error.
A1H, A1H, A1H	Framing error in the received data.
A3H, A3H, A3H	Overrun error in the received data.

Note: If a password error occurs, TMP88FW45AFG does not transmit an error code.

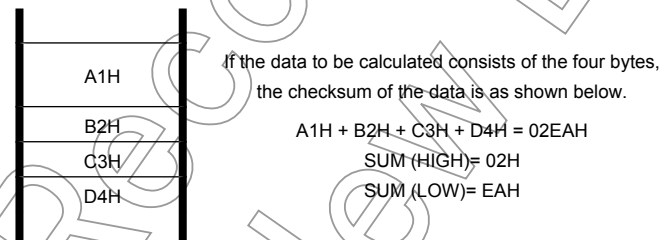
## 21.8 Checksum (SUM)

### 21.8.1 Calculation Method

The checksum (SUM) is calculated with the sum of all bytes, and the obtained result is returned as a word.

The data is read for each byte unit and the calculated result is returned as a word.

Example:



The checksum which is transmitted by executing the flash memory write command, RAM loader command, or flash memory SUM output command is calculated in the manner, as shown above.

### 21.8.2 Calculation data

The data used to calculate the checksum is listed in Table 21-15.

Table 21-15 Checksum Calculation Data

Operating Mode	Calculation Data	Description
Flash memory writing mode	Data in the entire area of the flash memory	Even when a part of the flash memory is written, the checksum of the entire flash memory area (04000H to 21EFFH, and FFF00H to FFFFFH) is calculated. The data length, address, record type and checksum in Intel Hex format are not included in the checksum.
Flash memory SUM output mode		
RAM loader mode	RAM data written in the first received RAM address through the last received RAM address	The length of data, address, record type and checksum in Intel Hex format are not included in the checksum.
Product ID Code Output mode	9th through 18th bytes of the transferred data	For details, refer to "21.11 Product ID Code".
Flash Memory Status Output mode	9th through 12th bytes of the transferred data	For details, refer to "21.12 Flash Memory Status Code"
Flash Memory Erasing mode	All data in the erased area of the flash memory (the whole or part of the flash memory)	When the sector erase is executed, only the erased area is used to calculate the checksum. In the case of the chip erase, an entire area of the flash memory is used.

Not Recommended for New Design

## 21.9 Intel Hex Format (Binary)

1. After receiving the checksum of a data record, the device waits for the start mark (3AH “:”) of the next data record. After receiving the checksum of a data record, the device ignores the data except 3AH transmitted by the external controller.
2. After transmitting the checksum of end record, the external controller must transmit nothing, and wait for the 2-byte receive data (upper and lower bytes of the checksum).
3. If a receiving error or Intel Hex format error occurs, the device enters the halt condition without returning an error code to the external controller. The Intel Hex format error occurs in the following case:

When the record type is not 00H, 01H, or 02H

When a checksum error occurs

When the data length of an extended record (record type = 02H) is not 02H

When the device receives the data record after receiving an extended record (record type = 02H) with extended address of 1000H or larger.

When the data length of the end record (record type = 01H) is not 00H

## 21.10 Passwords

The consecutive eight or more-byte data in the flash memory area can be specified to the password. TMP88FW45AFG compares the data string specified to the password with the password string transmitted from the external controller. The area in which passwords can be specified is located at addresses 04000H to 21EFFH, and FFF00H to FFFFFH. The area from FFA0H to FFFFH can not be specified as the passwords area.

If addresses from FFFE0H through FFFFFH are filled with “FFH”, the passwords are not compared because the product is considered as a blank product. Even in this case, the password count storage addresses and password comparison start address must be specified. Table 21-16 shows the password setting in the blank product and non-blank product.

Table 21-16 Password Setting in the Blank Product and Non-Blank Product

Password	Blank Product (Note 1)	Non-Blank Product
PNSA (Password count storage address)	$04000H \leq PNSA \leq 21EFFH$	$04000H \leq PNSA \leq 21EFFH$
PCSA (Password comparison start address)	$04000H \leq PCSA \leq 21EFFH$	$04000H \leq PCSA \leq 21F00H - N$
N (Password count)	*	$8 \leq N$
Password string setting	Not required (Note 5)	Required (Note 2)

Note 1: When addresses from FFFE0H through FFFFFH are filled with “FFH”, the product is recognized as a blank product.

Note 2: The data including the same consecutive data (three or more bytes) can not be used as a password. (This causes a password error data. TMP88FW45AFG transmits no data and enters the halt condition.)

Note 3: \*: Don't care.

Note 4: When the above condition is not met, a password error occurs. If a password error occurs, the device enters the halt condition without returning the error code.

Note 5: In the flash memory writing mode or RAM loader mode, the blank product receives the Intel Hex format data immediately after receiving PCSA without receiving password strings. In this case, the subsequent processing is performed correctly because the blank product ignores the data except the start mark (3AH “:”) as the Intel Hex format data, even if the external controller transmits the dummy password string. However, if the dummy password string contains “3AH”, it is detected as the start mark erroneously. The microcontroller enters the halt mode. If this causes the problem, do not transmit the dummy password strings.

Note 6: In the flash memory erasing mode, the external controller must not transmit the password string for the blank product.

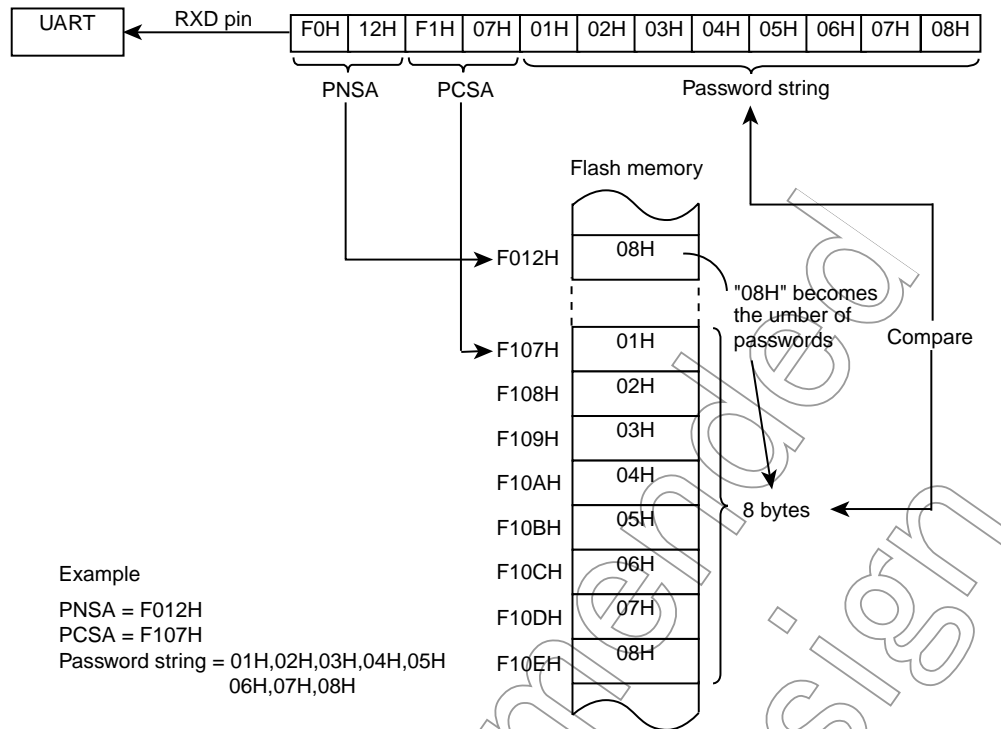


Figure 21-5 Password Comparison

### 21.10.1 Password String

The password string transmitted from the external controller is compared with the specified data in the flash memory. When the password string is not matched to the data in the flash memory, the device enters the halt condition due to the password error.

### 21.10.2 Handling of Password Error

If a password error occurs, the device enters the halt condition. In this case, reset the device to reactivate the serial PROM mode.

### 21.10.3 Password Management during Program Development

If a program is modified many times in the development stage, confusion may arise as to the password. Therefore, it is recommended to use a fixed password in the program development stage.

Example :Specify PNSA to F000H, and the password string to 8 bytes from address F001H  
 (PCSA becomes F001H.)

Password Section code abs = 0F000H

DB 08H : PNSA definition

DB "CODE1234" : Password string definition



## 21.11 Product ID Code

The product ID code is the 21-byte data containing the start address and the end address of ROM. Table 21-17 shows the product ID code format.

Table 21-17 Product ID Code Format

Data	Description	In the Case of TMP88FW45AFG
1st	Start Mark (3AH)	3AH
2nd	The number of transfer data (18 bytes from 3rd to 20th byte)	12H
3rd	Address length (3 bytes)	03H
4th	Reserved data	3DH
5th	Reserved data	00H
6th	Reserved data	00H
7th	Reserved data	00H
8th	ROM block count	02H
9th	The first address of ROM block 1 (Upper byte)	00H
10th	The first address of ROM block 1 (Middle byte)	40H
11th	The first address of ROM block 1 (Lower byte)	00H
12th	The end address of ROM block 1 (Upper byte)	02H
13th	The end address of ROM block 1 (Middle byte)	1EH
14th	The end address of ROM block 1 (Lower byte)	FFH
15th	The first address of ROM block 2 (Upper byte)	0FH
16th	The first address of ROM block 2 (Middle byte)	FFH
17th	The first address of ROM block 2 (Lower byte)	00H
18th	The end address of ROM block 2 (Upper byte)	0FH
19th	The end address of ROM block 2 (Middle byte)	FFH
20th	The end address of ROM block 2 (Lower byte)	FFH
21th	Checksum of the transferred data (2's compliment for the sum of 3rd through 20th bytes)	44H

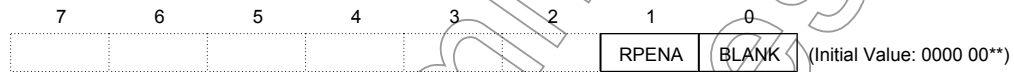
## 21.12 Flash Memory Status Code

The flash memory status code is the 7-byte data including the security program status and the status of the data from FFFE0H to FFFFFH. Table 21-18 shows the flash memory status code.

Table 21-18 Flash Memory Status Code

Data	Description	In the Case of TMP88FW45AFG	
1st	Start mark	3AH	
2nd	Transferred data count (3rd through 6th byte)	04H	
3rd	Status code	00H to 03H (See figure below)	
4th	Reserved data	00H	
5th	Reserved data	00H	
6th	Reserved data	00H	
7th	Checksum of the transferred data (2's compliment for the sum of 3rd through 6th data)	3rd byte	checksum
		00H	00H
		01H	FFH
		02H	FEH
		03H	FDH

Status Code 1



RPENA	Flash memory read security program status	0: Security program is disabled. 1: Security program is enabled.
BLANK	The status from FFFE0H to FFFFFH.	0: All data is FFH in the area from FFFE0H to FFFFFH. 1: The value except FFH is included in the area from FFFE0H to FFFFFH.

Some operation commands are limited by the flash memory status code 1. If the security program is enabled, flash memory writing mode command and RAM loader mode command can not be executed. Erase all flash memory before executing these command.

RPENA	BLANK	Flash Memory Writing Mode	RAM Loader Mode	Flash memory SUM Output Mode	Product ID Code Output Mode	Flash Memory Status Output Mode	Flash Memory Erasing Mode	Security program Setting Mode
0	0	O	O	O	O	O	O	x
0	1	Pass	Pass	O	O	O	Pass	Pass
1	0	x	x	O	O	O	O	x
1	1	x	x	O	O	O	Pass	Pass

Note: O: The command can be executed.

Pass: The command can be executed with a password.

x: The command can not be executed.

(After echoing the command back to the external controller, TMP88FW45AFG stops UART communication and enters the halt condition.)

### 21.13 Specifying the Erasure Area

In the flash memory erasing mode, the erasure area of the flash memory is specified by n-2 byte data.

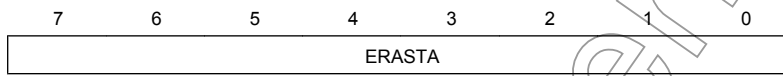
The address of an erasure area is specified by ERAREA.

The sector erase (flash memory erasing every 4K bytes) is performed if the address data from "00H" to "1DH" is specified by ERAREA.

The chip erase (all flash memory erasing) is performed if the address data from "C0H" to "FFH" is specified by ERAREA. At the same time, the security program for flash memory is also disabled.

Therefore, make sure to execute the chip erase (not sector erase) to disable the security program for flash memory. Executing the sector erase while the security program is enabled results in an infinite loop.

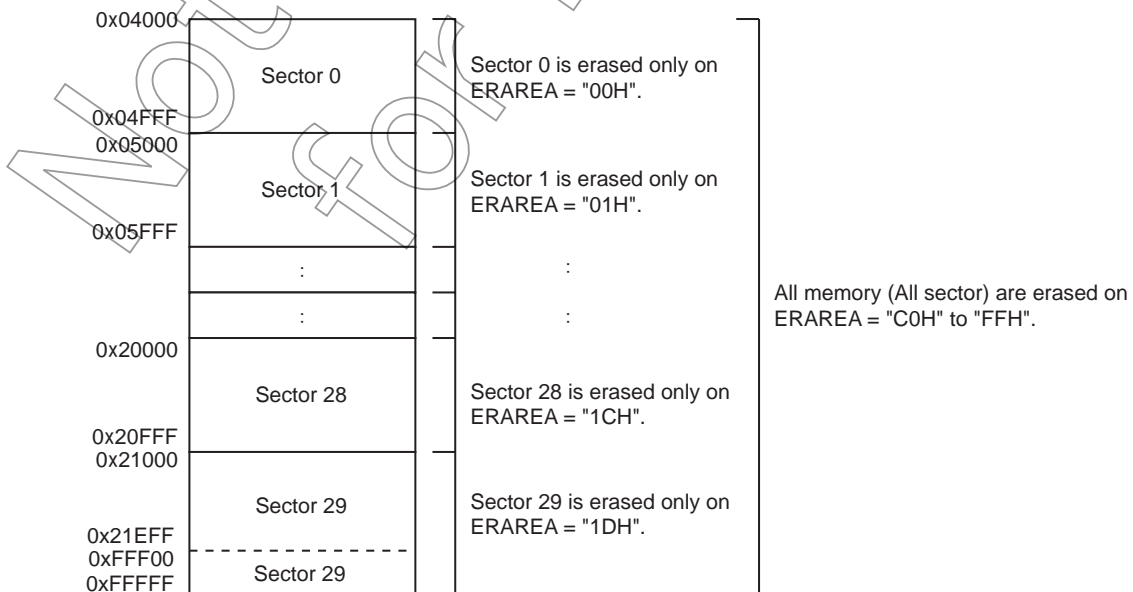
Erasure Area Specification Data (n-2 byte data)



ERAREA	Select the erase area	00H: Sector 0 erase
		01H: Sector 1 erase
		02H: Sector 2 erase
		03H: Sector 3 erase
		04H: Sector 4 erase
		05H: Sector 5 erase
		06H: Sector 6 erase
		07H: Sector 7 erase
		:
		:
		1DH: Sector 29 erase
		C0H: Chip erase
		:
		:
		FFH: Chip erase

Note 1: When the sector erase is executed for the area containing no flash cell, TMP88FW45AFG stops the UART communication and enters the halt condition.

Note 2: Executing the sector erase while the security program is enabled results in an infinite loop.



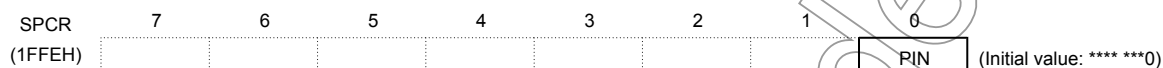
Not Recommended  
for New Design

## 21.14 Port Input Control Register

In the serial PROM mode, the input level is fixed to the all ports except P45 and P44 ports with a hardware feature to prevent overlap current to unused ports. (All port inputs and peripheral function inputs shared with the ports become invalid.) Therefore, to access to the flash memory in the RAM loader mode without UART communication, port inputs must be valid. To make port inputs valid, set the pin of the port input control register (SPCR) to “1”.

The SPCR register is not operated in the MCU mode.

### Port Input Control Register



PIN	Port input control in the serial PROM mode	0 : Invalid port inputs (The input level is fixed with a hardware feature.) 1 : Valid port inputs	R/W
-----	--------------------------------------------	------------------------------------------------------------------------------------------------------	-----

Note 1: The SPCR register can be read or written only in the serial PROM mode. When the write instruction is executed to the SPCR register in the MCU mode, the port input control can not be performed. When the read instruction is executed for the SPCR register in the MCU mode, read data of bit7 to 1 are unstable.

Note 2: All I/O ports except P45 and P44 ports are controlled by the SPCR register.

Not Recommended for New Designs



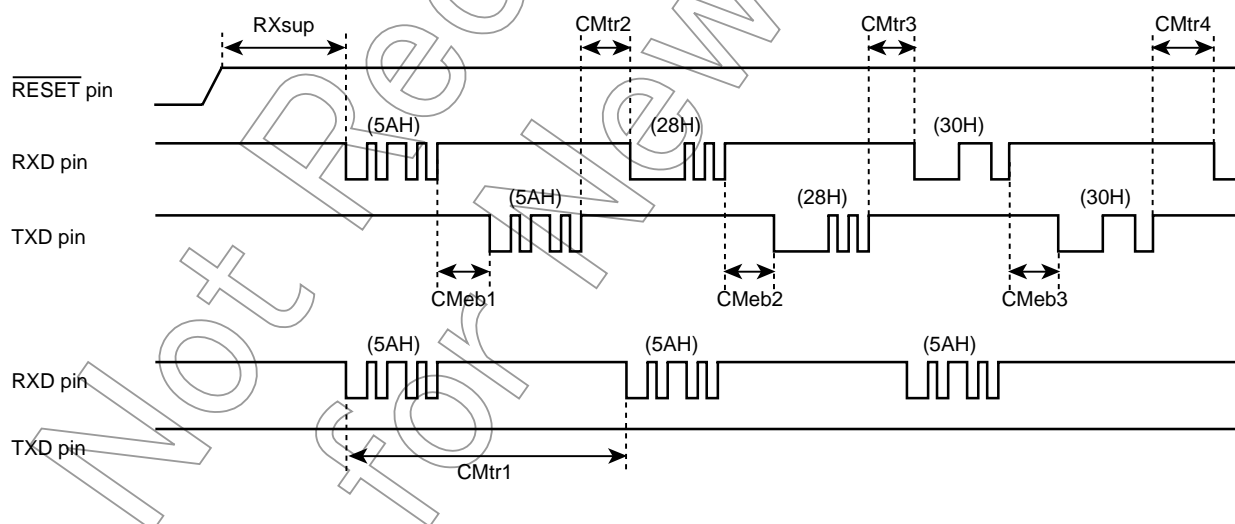
## 21.16 UART Timing

Table 21-19 UART Timing-1 (VDD = 4.5 to 5.5 V, fc = 8 to 20 MHz, Topr = -10 to 40°C)

Parameter	Symbol	Clock Frequency (fc)	Minimum Required Time	
			At fc = 8 MHz	At fc = 20 MHz
Time from matching data reception to the echo back	CMeb1	Approx. 930	116.3 μs	46.5 μs
Time from baud rate modification data reception to the echo back	CMeb2	Approx. 980	122.5 μs	49.0 μs
Time from operation command reception to the echo back	CMeb3	Approx. 800	100 μs	40 μs
Checksum calculation time	CKsm	Approx. 7864500	0.98 s	0.39 s
Erasure time of an entire flash memory	CEall	-	30 ms	30 ms
Erasure time for a sector of a flash memory (in 4-kbyte units)	CEsec	-	15 ms	15 ms

Table 21-20 UART Timing-2 (VDD = 4.5 to 5.5 V, fc = 8 to 20 MHz, Topr = -10 to 40°C)

Parameter	Symbol	Clock Frequency (fc)	Minimum Required Time	
			At fc = 8 MHz	At fc = 20 MHz
Time from the reset release to the acceptance of start bit of RXD pin	RXsup	2100	262.5 μs	105.0 μs
Matching data transmission interval	CMtr1	28500	3.56 ms	1.43 ms
Time from the echo back of matching data to the acceptance of baud rate modification data	CMtr2	380	47.5 μs	19.0 μs
Time from the echo back of baud rate modification data to the acceptance of an operation command	CMtr3	650	81.25 μs	32.5 μs
Time from the echo back of operation command to the acceptance of password count storage addresses (Upper byte)	CMtr4	800	100 μs	40 μs



Not Recommended  
for New Design



## 22. Input/Output Circuitry

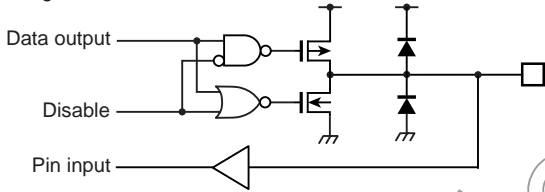
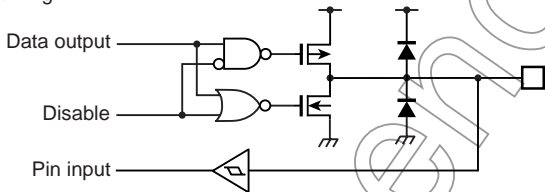
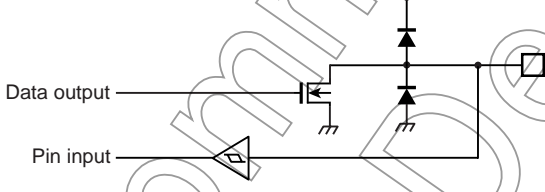
### 22.1 Control pins

The input/output circuitries of the TMP88FW45AFG control pins are shown below.

Control Pin	I/O	Input/Output Circuitry	Remark
XIN XOUT	Input Output		High-frequency resonator connecting pins $R_f = 1.2 \text{ M}\Omega$ (typ.) $R_O = 0.5 \text{ k}\Omega$ (typ.)
RESET	Input		Hysteresis input Pull-up resistor included $R_{IN} = 220 \text{ k}\Omega$ (typ.)
TEST	Input		Fix the TEST pin at "L" level in MCU mode. $R = 100\Omega$ (typ.).

### 22.2 Input/output ports

Port	I/O	Input/output Circuit	Remark
P0 P3 P4 P5 P8	I/O		Tri-state output Programmable open-drain P3, P4, P5: Large-current port Hysteresis input
P9	I/O		Tri-state output Programmable open-drain

Port	I/O	Input/output Circuit	Remark
P6 P7	I/O	<p>Initial "High-Z"</p> 	Tri-state output
P1	I/O	<p>Initial "High-Z"</p> 	Tri-state output Hysteresis input
P2	I/O	<p>Initial "High-Z"</p> 	Open-drain output Hysteresis input

Not Recommended for New Design

## 23. Electrical Characteristics

### 23.1 Absolute Maximum Ratings

The absolute maximum ratings are rated values which must not be exceeded during operation, even for an instant. Any one of the ratings must not be exceeded. If any absolute maximum rating is exceeded, a device may break down or its performance may be degraded, causing it to catch fire or explode resulting in injury to the user. Thus, when designing products which include this device, ensure that no absolute maximum rating value will ever be exceeded.

(V<sub>SS</sub> = 0 V)

Parameter	Symbol	Pins	Ratings	Unit	
Supply voltage	V <sub>DD</sub>		-0.3 to 6.0	V	
Input voltage	V <sub>IN</sub>		-0.3 to V <sub>DD</sub> + 0.3	V	
Output voltage	V <sub>OUT1</sub>		-0.3 to V <sub>DD</sub> + 0.3	V	
Output current (Per 1 pin)	I <sub>OH</sub>	P0,P1,P3,P4,P5,P6, P7,P8,P9 ports	-1.8		
	I <sub>OL1</sub>	P0,P1,P2,P6,P7,P8, P9 ports	-3.2		
	I <sub>OL2</sub>	P3,P4,P5 ports	30		
Output current (Total)	Σ I <sub>OUT1</sub>	P0,P1,P2,P6,P7,P8,P9 ports	60	mA	Total current (Normal ports) (Except P3,P4,P5)
	Σ I <sub>OUT2</sub>	P3 port	60		Total current (8 pins) P3 large current port
	Σ I <sub>OUT3</sub>	P4 port	60		Total current (8 pins) P4 large current port
	Σ I <sub>OUT4</sub>	P5 port	60		Total current (8 pins) P3 large current port
Power dissipation	P <sub>D</sub>	T <sub>opr</sub> = 85 °C	350	mW	QFP
Soldering temperature (time)	T <sub>sld</sub>		260 (10 s)	°C	
Storage temperature	T <sub>stg</sub>		-55 to 125		
Operating temperature	T <sub>opr</sub>		-40 to 85		

Not for New

## 23.2 Operating Conditions

The Operating Conditions show the conditions under which the device be used in order for it to operate normally while maintaining its quality. If the device is used outside the range of Operating Conditions (power supply voltage, operating temperature range, or AC/DC rated values), it may operate erratically. Therefore, when designing your application equipment, always make sure its intended working conditions will not exceed the range of Operating Conditions.

(V<sub>SS</sub> = 0 V, Topr = -40 to 85°C)

Parameter	Symbol	Pins	Ratings	Min	Max	Unit
Supply voltage	V <sub>DD</sub>		NORMAL / IDLE / STOP modes	4.5	5.5	V
Input high level	V <sub>IH1</sub>	Normal input ports (P6,P7,P9)	V <sub>DD</sub> ≥ 4.5 V	V <sub>DD</sub> × 0.70	V <sub>DD</sub>	
	V <sub>IH2</sub>	Hysteresis input ports (P0,P1,P2,P3,P4,P5, P8, RESET)		V <sub>DD</sub> × 0.75		
Input low level	V <sub>IL1</sub>	Normal input ports (P6,P7,P9)	V <sub>DD</sub> ≥ 4.5 V	0	V <sub>DD</sub> × 0.30	
	V <sub>IL2</sub>	Hysteresis input ports (P0,P1,P2,P3,P4,P5, P8, RESET)		V <sub>DD</sub> × 0.25		
Clock frequency	fc	XIN, XOUT	V <sub>DD</sub> = 4.5 to 5.5 V	8.0	20.0	

### 23.2.1 MCU mode (Flash Programming or erasing)

(V<sub>SS</sub> = 0 V, Topr = -10 to 40°C)

Parameter	Symbol	Pins	Ratings	Min	Max	Unit
Supply voltage	V <sub>DD</sub>		NORMAL / IDLE / STOP modes	4.5	5.5	V
Input high level	V <sub>IH1</sub>	Normal input ports (P6,P7,P9)	V <sub>DD</sub> ≥ 4.5 V	V <sub>DD</sub> × 0.70	V <sub>DD</sub>	
	V <sub>IH2</sub>	Hysteresis input ports (P0,P1,P2,P3,P4,P5, P8, RESET)		V <sub>DD</sub> × 0.75		
Input low level	V <sub>IL1</sub>	Normal input ports (P6,P7,P9)	V <sub>DD</sub> ≥ 4.5 V	0	V <sub>DD</sub> × 0.30	
	V <sub>IL2</sub>	Hysteresis input ports (P0,P1,P2,P3,P4,P5, P8, RESET)		V <sub>DD</sub> × 0.25		
Clock frequency	fc	XIN, XOUT	V <sub>DD</sub> = 4.5 to 5.5 V	8.0	20.0	

23.2.2 MCU mode (Except Flash Programming or erasing)

(V<sub>SS</sub> = 0 V, Topr = -40 to 85°C)

Parameter	Symbol	Pins	Ratings	Min	Max	Unit
Supply voltage	V <sub>DD</sub>		NORMAL / IDLE / STOP modes	4.5	5.5	V
Input high level	V <sub>IH1</sub>	Normal input ports (P6,P7,P9)	V <sub>DD</sub> ≥ 4.5 V	V <sub>DD</sub> × 0.70	V <sub>DD</sub>	
	V <sub>IH2</sub>	Hysteresis input ports (P0,P1,P2,P3,P4,P5, P8, RESET)		V <sub>DD</sub> × 0.75		
Input low level	V <sub>IL1</sub>	Normal input ports (P6,P7,P9)	V <sub>DD</sub> ≥ 4.5 V	0	V <sub>DD</sub> × 0.30	
	V <sub>IL2</sub>	Hysteresis input ports (P0,P1,P2,P3,P4,P5, P8, RESET)		V <sub>DD</sub> × 0.25		
Clock frequency	f <sub>c</sub>	XIN, XOUT	V <sub>DD</sub> = 4.5 to 5.5 V	8.0	20.0	MHz

23.2.3 Serial PROM mode

(V<sub>SS</sub> = 0 V, Topr = -10 to 40°C)

Parameter	Symbol	Pins	Ratings	Min	Max	Unit
Supply voltage	V <sub>DD</sub>		NORMAL / IDLE / STOP modes	4.5	5.5	V
Input high level	V <sub>IH1</sub>	Normal input ports (P6,P7,P9)	V <sub>DD</sub> ≥ 4.5 V	V <sub>DD</sub> × 0.70	V <sub>DD</sub>	
	V <sub>IH2</sub>	Hysteresis input ports (P0,P1,P2,P3,P4,P5, P8, RESET)		V <sub>DD</sub> × 0.75		
Input low level	V <sub>IL1</sub>	Normal input ports (P6,P7,P9)	V <sub>DD</sub> ≥ 4.5 V	0	V <sub>DD</sub> × 0.30	
	V <sub>IL2</sub>	Hysteresis input ports (P0,P1,P2,P3,P4,P5, P8, RESET)		V <sub>DD</sub> × 0.25		
Clock frequency	f <sub>c</sub>	XIN, XOUT	V <sub>DD</sub> = 4.5 to 5.5 V	8.0	20.0	MHz

## 23.3 DC Characteristics

(V<sub>SS</sub> = 0 V, T<sub>opr</sub> = -40 to 85 °C)

Parameter	Symbol	Pins	Condition	Min	Typ.	Max	Unit
Input current	I <sub>IN1</sub>	TEST	V <sub>DD</sub> = 5.5 V, V <sub>IN</sub> = 5.5 V/0 V	-	-	±2	μA
	I <sub>IN2</sub>	Sink open drain, tri - state port					
	I <sub>IN3</sub>	RESET, STOP					
Input resistance	R <sub>IN2</sub>	RESET	V <sub>DD</sub> = 5.5 V, V <sub>IN</sub> = 5.5 V	90	220	510	kΩ
Output leakage current	I <sub>LO1</sub>	Sink open drain, tri - state port	V <sub>DD</sub> = 5.5 V, V <sub>OUT</sub> = 5.5 V/0 V	-	-	±2	μA
Output high voltage	V <sub>OH</sub>	Tri - state port	V <sub>DD</sub> = 4.5 V, I <sub>OH</sub> = -0.7 mA	4.1	-	-	V
Output low current	I <sub>OL1</sub>	P0,P1,P2,P6,P7,P8,P9 ports	V <sub>DD</sub> = 4.5 V, V <sub>OL</sub> = 0.4 V	-	1.6	-	mA
	I <sub>OL2</sub>	P3,P4,P5 ports	V <sub>DD</sub> = 4.5 V, V <sub>OL</sub> = 1.0 V	-	20	-	
Peak current on intermittent operation (Note 4)	I <sub>DD-P</sub>		V <sub>DD</sub> = 5.5 V	-	10	-	mA
Supply current in NORMAL mode	I <sub>DD</sub>		V <sub>DD</sub> = 5.5 V V <sub>IN</sub> = 5.3 V/0.2 V f <sub>c</sub> = 16 MHz V <sub>TEST</sub> = 5.3 V / 0.1 V (Note 6)	-	15	22	
Supply current in IDLE mode				-	8	14.5	
Supply current in STOP mode				V <sub>DD</sub> = 5.5 V V <sub>IN</sub> = 5.3 V/0.2 V V <sub>TEST</sub> = 5.3 V / 0.1 V (Note 6)	-	2	

Note 1: Typical values show those at T<sub>opr</sub> = 25 °C and V<sub>DD</sub> = 5 V.

Note 2: Input current (I<sub>IN1</sub>, I<sub>IN3</sub>): The current through pull-up or pull-down resistor is not included.

Note 3: I<sub>DD</sub> does not include I<sub>REF</sub>.

Note 4: When a program is executing in the flash memory or when data is being read from the flash memory, the flash memory operates in an intermittent manner, causing peak currents in the operation current, as shown in Figure 23-1.

In this case, the supply current I<sub>DD</sub> (in NORMAL mode) is defined as the sum of the average peak current and MCU current.

Note 5: The circuit of a power supply must be designed such as to enable the supply of a peak current. This peak current causes the supply voltage in the device to fluctuate. Connect a bypass capacitor of about 0.1 μF near the power supply of the device to stabilize its operation.

Note 6: V<sub>TEST</sub> shows input low voltage to TEST pin.

Note 7: To execute the Program, Erase and Security Program commands on the flash memory, the temperature must be kept within T<sub>opr</sub> = - 10 to 40 degree celsius. If this temperature range is not observed , operation cannot be guaranteed.

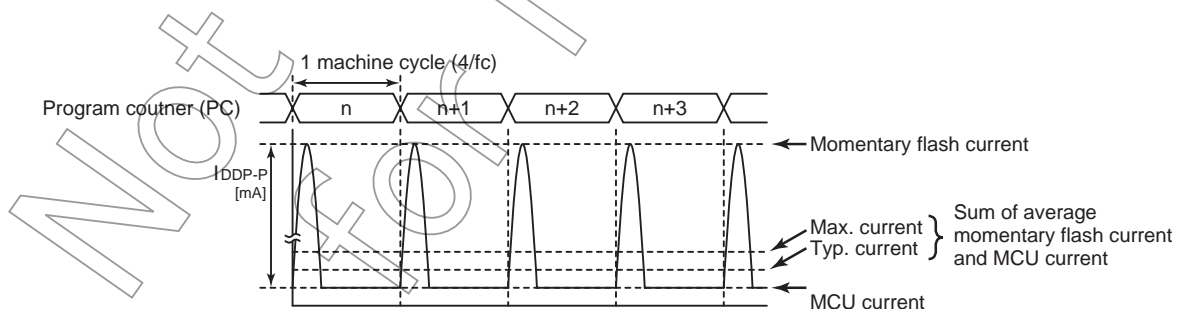


Figure 23-1 Intermittent Operation of Flash Memory

## 23.4 AD Characteristics

( $V_{SS} = 0.0\text{ V}$ ,  $4.5\text{ V} \leq V_{DD} \leq 5.5\text{ V}$ ,  $T_{opr} = -40\text{ to }85\text{ }^\circ\text{C}$ )

Parameter	Symbol	Condition	Min	Typ.	Max		Unit
					8 bit	10 bit	
Analog reference voltage	$V_{AREF}$	$AV_{DD} = V_{AREF}$ , $V_{SS} = 0.0\text{ V}$	$V_{DD} - 1.0$	-	$V_{DD}$		V
Analog input voltage	$V_{AIN}$		$V_{ASS}$	-	$V_{AREF}$		
Power supply current of analog reference voltage	$I_{REF}$	$V_{DD} = AV_{DD} = V_{AREF} = 5.5\text{ V}$ $V_{SS} = AV_{SS} = 0.0\text{ V}$	-	0.5	1.0		mA
Non linearity error			-	-	$\pm 1$	$\pm 2$	LSB
Zero point error		$V_{DD} = AV_{DD} = 5.0\text{ V}$ , $V_{SS} = AV_{SS} = 0.0\text{ V}$	-	-	$\pm 1$	$\pm 2$	
Full scale error		$V_{AREF} = 5.0\text{ V}$	-	-	$\pm 1$	$\pm 2$	
Total error			-	-	$\pm 2$	$\pm 4$	

Note 1: The total error includes all errors except a quantization error, and is defined as a maximum deviation from the ideal conversion line.

Note 2: Conversion time is different in recommended value by power supply voltage.

Note 3: The voltage to be input on the AIN input pin must not exceed the range between  $V_{AREF}$  and  $V_{SS}$ . If a voltage outside this range is input, conversion values will become unstable and conversion values of other channels will also be affected.

Note 4: Analog reference voltage range:  $\Delta V_{AREF} = V_{AREF} - V_{SS}$

Note 5: When AD converter is not used, fix the  $AV_{DD}$  and  $V_{AREF}$  pin on the  $V_{DD}$  level.

## 23.5 AC Characteristics

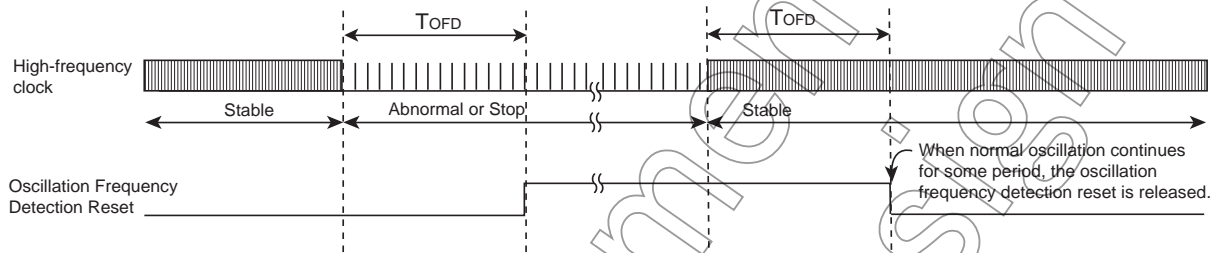
( $V_{SS} = 0\text{ V}$ ,  $4.5\text{ V} \leq V_{DD} \leq 5.5\text{ V}$ ,  $T_{opr} = -40\text{ to }85\text{ }^\circ\text{C}$ )

Parameter	Symbol	Condition	Min	Typ.	Max	Unit
Machine cycle time	$t_{cy}$	NORMAL mode	0.2	-	0.5	$\mu\text{s}$
		IDLE mode				
High-level clock pulse width	$t_{WCH}$	For external clock operation (XIN input) $f_c = 20\text{ MHz}$	25	-	-	ns
Low-level clock pulse width	$t_{WCL}$					

## 23.6 Oscillation Frequency Detection AC Characteristics

( $V_{SS} = 0\text{ V}$ ,  $V_{DD} = 4.5\text{ to }5.5\text{ V}$ ,  $T_{opr} = -40\text{ to }85^\circ\text{C}$ )

Parameter	Symbol	Condition	Min	Typ.	Max	Unit
Oscillation Frequency Detection Time	$t_{OFD}$		-	30	50	$\mu\text{s}$
Detecting low frequency	$f_{DETL}$	CLKSMN = 20H	8.8	-	-	MHz
Detecting high frequency	$f_{DETH}$	CLKSMX = 40H	-	-	20	



## 23.7 Flash Characteristics

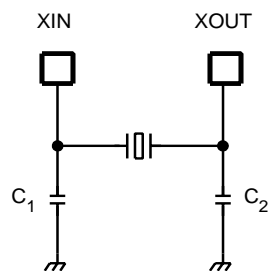
### Write Characteristics

( $V_{SS} = 0\text{ V}$ )

Parameter	Condition	Min	Typ.	Max.	Unit
Number of guaranteed writes to flash memory	$T_{opr} = -10\text{ to }40^\circ\text{C}$	-	-	100	Times



## 23.8 Recommended Oscillating Conditions



(1) High-frequency Oscillation

Note 1: To ensure stable oscillation, the resonator position, load capacitance, etc. must be appropriate. Because these factors are greatly affected by board patterns, please be sure to evaluate operation on the board on which the device will actually be mounted.

Note 2: The product numbers and specifications of the resonators by Murata Manufacturing Co., Ltd. are subject to change. For up-to-date information, please refer to the following URL:

<http://www.murata.com>

## 23.9 Handling Precaution

- The solderability test conditions for lead-free products (indicated by the suffix G in product name) are shown below.

1. When using the Sn-37Pb solder bath

Solder bath temperature = 230°C

Dipping time = 5 seconds

Number of times = once

R-type flux used

2. When using the Sn-3.0Ag-0.5Cu solder bath

Solder bath temperature = 245°C

Dipping time = 5 seconds

Number of times = once

R-type flux used

Note: The pass criterion of the above test is as follows: Solderability rate until forming  $\geq 95\%$

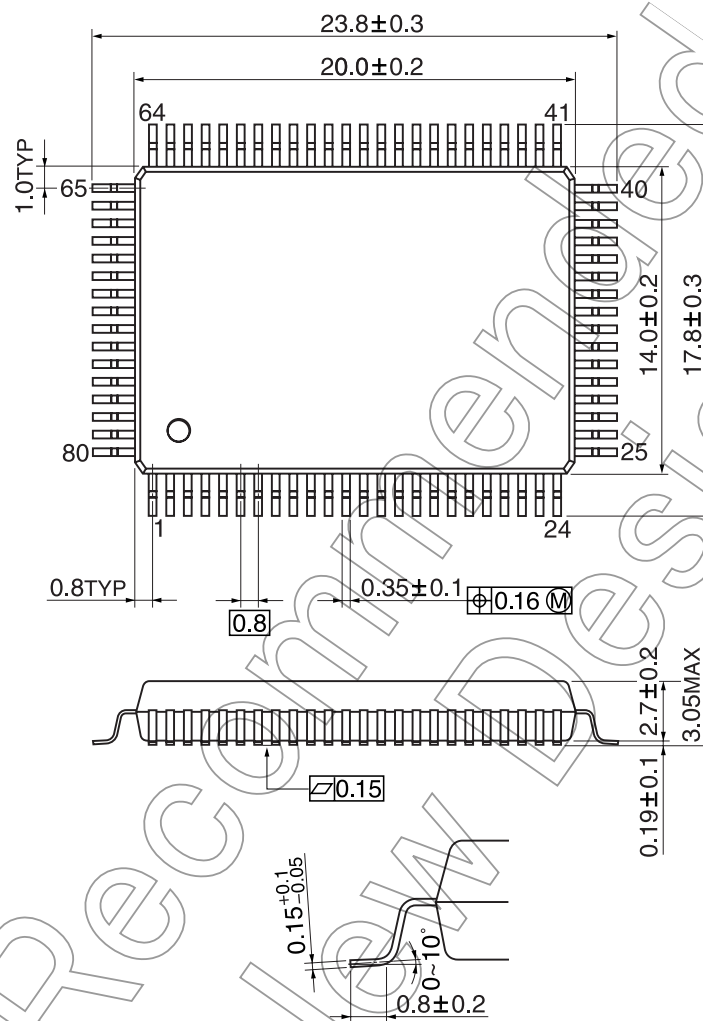
- When using the device (oscillator) in places exposed to high electric fields such as cathode-ray tubes, we recommend electrically shielding the package in order to maintain normal operating condition.

Not Recommended  
for New Design

## 24. Package Dimensions

QFP80-P-1420-0.80B Rev 01

Unit: mm



Not Recommended for New Design

Not Recommended  
for New Design

This is a technical document that describes the operating functions and electrical specifications of the 8-bit microcontroller series TLCS-870/X (LSI).

Toshiba provides a variety of development tools and basic software to enable efficient software development.

These development tools have specifications that support advances in microcomputer hardware (LSI) and can be used extensively. Both the hardware and software are supported continuously with version updates.

The recent advances in CMOS LSI production technology have been phenomenal and microcomputer systems for LSI design are constantly being improved. The products described in this document may also be revised in the future. Be sure to check the latest specifications before using.

Toshiba is developing highly integrated, high-performance microcomputers using advanced MOS production technology and especially well proven CMOS technology.

We are prepared to meet the requests for custom packaging for a variety of application areas.

We are confident that our products can satisfy your application needs now and in the future.

Not Recommended  
for New Design

Not Recommended  
for New Design