

# *Genuine Aircraft Hardware Co.*

## **NAS1832 thru NAS1836, Inserts**

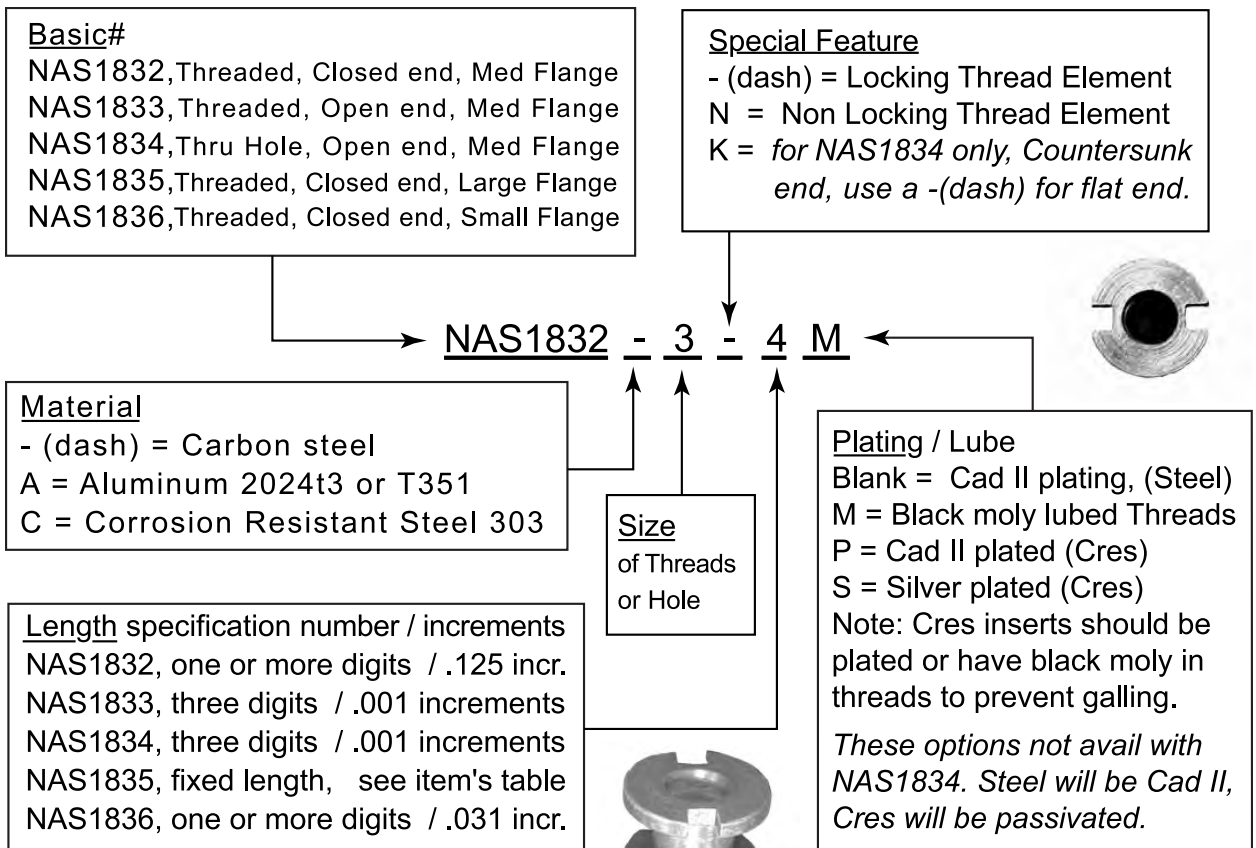
### **For Composite or Honeycomb Panel Fastening**

All original Text, Tables, and Drawings are Copyright 1994-2010 reproduction by permission only.

These **NAS1832 thru NAS1836**, Potted in Inserts are the standard for fastening in composite or honeycomb panels. The panel is first prepared by drilling or routing a hole or holes in the panel as necessary, depending on whether or not the insert is a through hole insert or a closed end insert. After preparing the hole and securing the insert in place with the NAS1837 adhesive tab (comes with inserts), then the adhesive or epoxy as recommended by the panel or aircraft manufacturer is forced in through one of the potting holes until it is forced out of the other hole or slot which acts as a vent hole. After the proper curing time and procedures are followed, remove the tab, clean up as required and then fasten items to the newly installed insert as appropriate.

**Please use Part Number Diagram, Tables and pictures, to select inserts**

When selecting length on all except NAS1833 and NAS1834, allow .040"min between insert and back skin



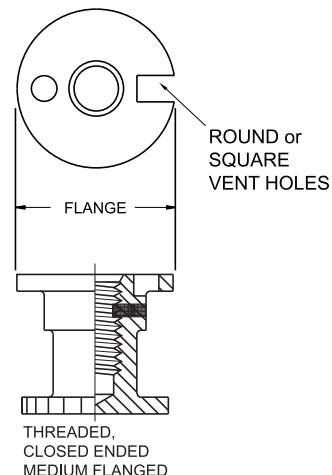
Continued.....

*Genuine Aircraft Hardware Co.*

**NAS1832 thru NAS1836, Inserts**

**For Composite or Honeycomb Panel Fastening....Continued**

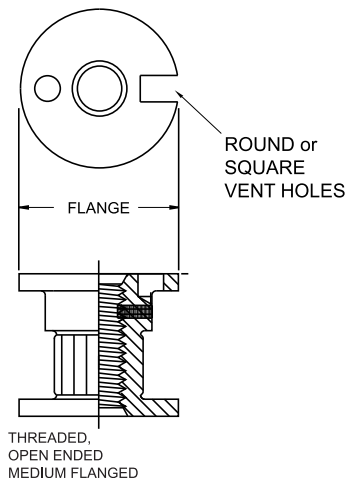
NAS1832 series, Potted in Insert, Medium Flange, Threaded with Closed End				
NAS1832	Threads	Flange	Installation Hole size	Length Minimum
-06	6-32	.560	.561-.566	.370
-08	8-32			
-3	10-32			
-4	1/4-28	.685	.686-.691	.500
-5	5/16-24			
-6	3/8-24	.841	.842-.847	



Note:

Do not specify less than minimum lengths shown on Tables !

NAS1833 series, Potted in Insert, Medium Flange, Threaded with Open End				
NAS1833	Threads	Flange	Installation Hole size	Length Minimum
-06	6-32	.560	.561-.566	.250
-08	8-32			
-3	10-32			
-4	1/4-28	.685	.686-.691	.312
-5	5/16-24			
-6	3/8-24	.841	.842-.847	



Installation Tabs are supplied with each Insert

If you need extras see the part numbers below for each series and size of insert

NAS1832, 1833, and 1834 all use the tab with part # **NAS1837T3** for thread sizes 06,08 & 3.  
NAS1832, 1833, and 1834 all use the tab with part # **NAS1837T6** for thread sizes 4 and 5.  
NAS1835, all use **NAS1837T7** they only come in thread sizes 3 and 4.  
NAS1836 sizes 06, 08 & 3, use **NAS1837T2**, for size 4 use **NAS1837T4**

Continued.....

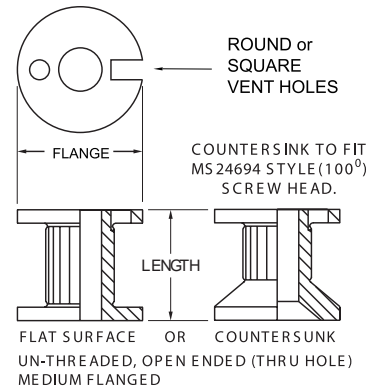
# Genuine Aircraft Hardware Co.

## **NAS1832 thru NAS1836, Inserts**

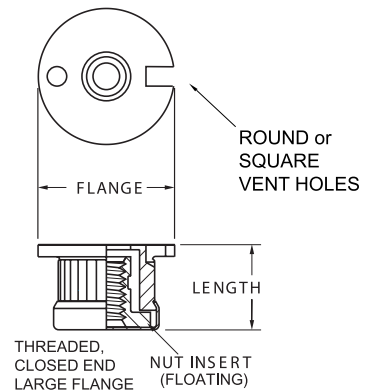
### For Composite or Honeycomb Panel Fastening....Continued

All original Text, Tables, and Drawings are Copyright 1994-2010 reproduction by permission only.

NAS1834 series, Potted in Insert, Medium Flange, UN-Threaded with Open End, Plain or Countersunk Bottom				
NAS1834	Thru-Hole Size	Flange	Installation Hole size	Length Minimum
-06	.139-.145	.560	.561-.566	.250
-08	.168-.174			
-3	.195-.201			
-4	.256-.263	.685	.686-.691	.312
-5	.315-.322			
-6	.376-.383			



NAS1835 series, Potted in Insert, Large Flange, Floating Nut Element, Closed End.				
NAS1835	Threads	Flange	Installation Hole size	Length
-08	8-32	.685	.686-.691	.37
-3	10-32			.43
-4	1/4-28	.748	.749-.755	.56
-5	5/16-24	.810	.811-.817	.75
-6	3/8-24	.873	.874-.880	.81



NAS1836 series, Potted in Insert, Small Flange, Threaded with Closed End				
NAS1836	Threads	Flange	Installation Hole size	Length Minimum
-06	6-32	.451	.452-.457	.217
-08	8-32			
-3	10-32			
-4	1/4-28	.498	.499-.504	.279

