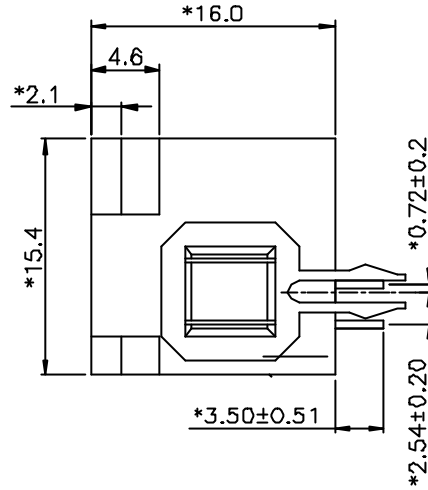
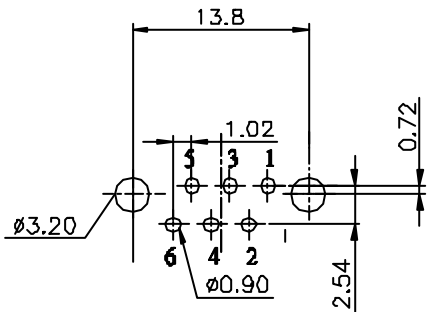
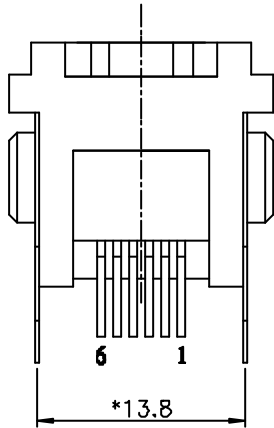
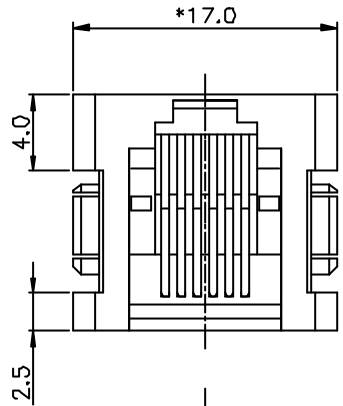


REVISION RECORD				
REV	ECO	DESCRIPTION	DRFT	CHKD
△		ADD PART NUMBER	CZH	8/14/02



NOTES:

ELECTRICAL:

- VOLTAGE RATING : 125 VAC RMS MIN.
- CURRENT RATING : 1.5 AMP MIN
- CONTACT RESISTANCE : 30 MILLIOHMS MAX.
- INSULATION RESISTANCE: 1000 MEGOHMS MIN @ 500 VDC
- DIELECTRIC STRENGTH : 1000 VAC RMS 60Hz, 1MIN.

MECHANICAL:

- HOUSING MATERIAL : GLASS FILLED POLYESTER UL94V-0.
- CONTACT MATERIAL : PHOSPHOR BRONZE Ø0.46mm.
- PLATING : GOLD PLATING OVER NICKEL.
- OPERATING LIFE : 750 CYCLES MIN.
- PCB RETENTION PRE-SOLDER : 1 LB MIN
- PCB RETENTION POST-SOLDER: 10 LBS MIN

ENVIRONMENTAL:

- STORAGE: -40°C TO +85°C.
- OPERATION: 0°C TO 70°C.

MATES WITH MODULAR PLUG CONFORMING TO FCC PART 6B, SUBPART F. CUL FILE NO. E183191

PART NUMBER:ESH6X-20LX1X △

NO OF CONTACT	1- 3u"	2- 6u"
2-2 CONTACTS	3-15u"	4-30u"
4-4 CONTACTS	5-50u"	6-Pd 20u"
6-6 CONTACTS		

- 1-A06-0100 BK
- 2-A06-0110 GY
- 5-A06-1020 WT
- 6-A06-0120 V

PC Board Layout Component Side Shown

DETACHED LIST	← MIN (INCH) →	DFTO SAMMY	DATE 03/13/02	FULL RISE ELECTRONIC CO., LTD
	TOLERANCES EXCEPT AS NOTED	CHKD SAMMY	DATE 9/12/02	
	MIN ±0.20	APPV LUSH-ENG	DATE 9/12/02	
	±0.00 ±0.15			
	±0.00 ±0.076			
ANGLES ±		QTY :		TITLE
		FINISH :		TOP ENTRY METAL FOOT PCB JACK
THIRD ANGLE PROJECTION		SCALE 3:1		DRAWING NO. GE5H3019
				/PART NO. SEE NOTE
				SIZE A3
				REV 1
				DO NOT SCALE DRAWING
				SHEET X OF Y