

2 • ROW Connectors

Cable to
Board or
Panel

WTA-WTA

Examples:

PLUG:	WTA	26	PC	JT
RECEPTACLE:	WTA	26	SAD9	JL

PLUG

RECEPTACLE

SERIES	
WTA = 2-row, straight, plug, no mntg. ears.	WTA = 2-row, straight, receptacle, no mntg. ears.

NUMBER OF CONTACTS	
10,14,20,24,26,30,36,40,44,50,54,56,60,66,70	10,14,20,24,26,30,36,40,44,50,54,56,60,66,70

TYPE OF CONTACTS	
PC = Pin, straight, solder cup	SAC = Socket, straight, solder cup, closed entry
PD9 = Pin, straight, dip solder, .140	SAD9 = Socket, straight, dip solder, .140
PD11 = Pin, straight, dip solder, .172	SAD11 = Socket, straight, dip solder, .172
PF3 = Pin, straight, flex-circuit, .050	SAD15 = Socket, straight, dip solder, .234
PF6 = Pin, straight, flex-circuit, .093	SAF3 = Socket, straight, flex-circuit, .050
	SAF6 = Socket, straight, flex-circuit, .093
	SAW40 = Socket, straight, Wire Wrap, .625

WARNING: When interchanging contacts, position of male and female hardware is automatically reversed.

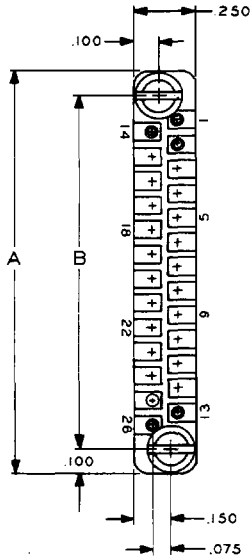
SAC = Socket, straight, solder cup, closed entry	PC = Pin, straight, solder cup
SAD9 = Socket, straight, dip solder, .140	PD9 = Pin, straight, dip solder, .140
SAD11 = Socket, straight, dip solder, .172	PD11 = Pin, straight, dip solder, .172
SAD15 = Socket, straight, dip solder, .234	PF3 = Pin, straight, flex-circuit, .050
SAF3 = Socket, straight, flex-circuit, .050	PF6 = Pin, straight, flex-circuit, .093
SAF6 = Socket, straight, flex-circuit, .093	PW40 = Pin, straight, Wire Wrap, .625

TYPE OF HARDWARE	
JT = Turning jackset, .500	J = Fixed jackset
JTA = Turning jackset, .200	JL = Fixed jackset, long
JTB = Hex turning jackset, .200	
JTL = Long turning jackset, .700	

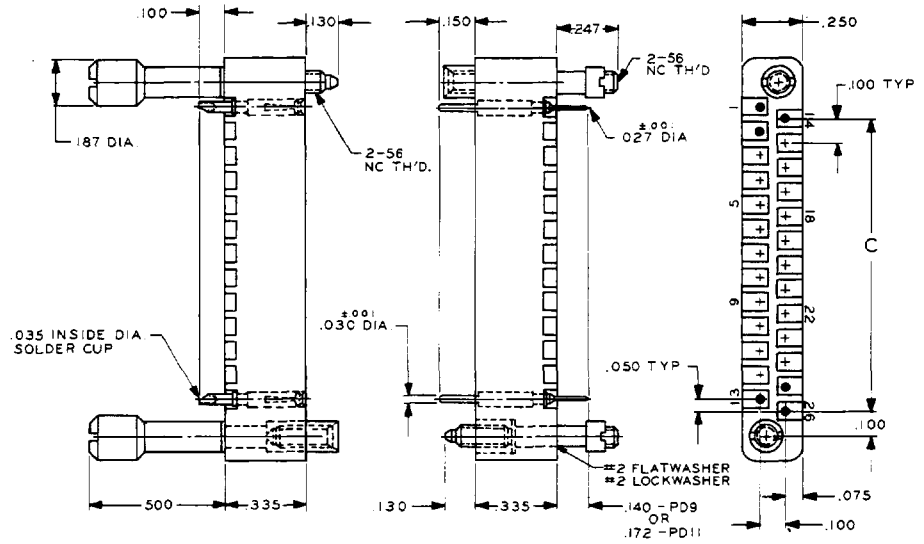
NOTES

- Face seal gaskets: order separately. See "Gaskets" under next tab for instructions.
- JT jackscrew set accepts WTD Hoods; JTL accepts WTA Hoods. See "Accessories" under next tab for instructions.
- Because solder cup contacts rotate in the molding, they will not normally line up as shown on drawing.

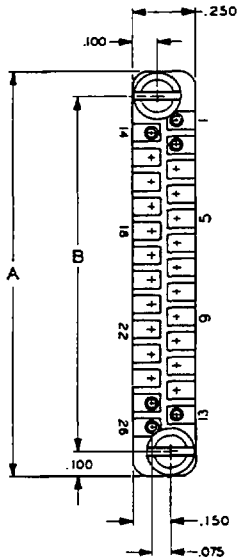
2-79



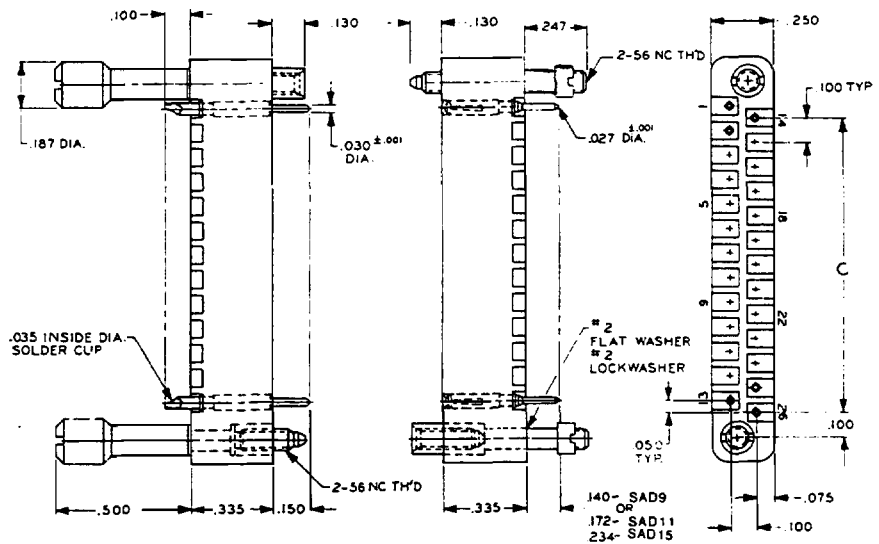
EXAMPLE: WTA26SACJT



EXAMPLE: WTA26PD9JL



EXAMPLE: WTA26PCJT



EXAMPLE: WTA26SAD9JL

SIZE	A	B	C
10	.850	.650	.400
14	1.050	.850	.600
20	1.350	1.150	.900
24	1.550	1.350	1.100
26	1.650	1.450	1.200
30	1.850	1.650	1.400
36	2.150	1.950	1.700
40	2.350	2.150	1.900
44	2.550	2.350	2.100
50	2.850	2.650	2.400
54	3.050	2.850	2.600
56	3.150	2.950	2.700
60	3.350	3.150	2.900
66	3.650	3.450	3.200
70	3.850	3.650	3.400

WTA-WTA
DIMENSIONS

2-80