

RoHS Compliant Product
A suffix of "-C" specifies halogen & lead-free

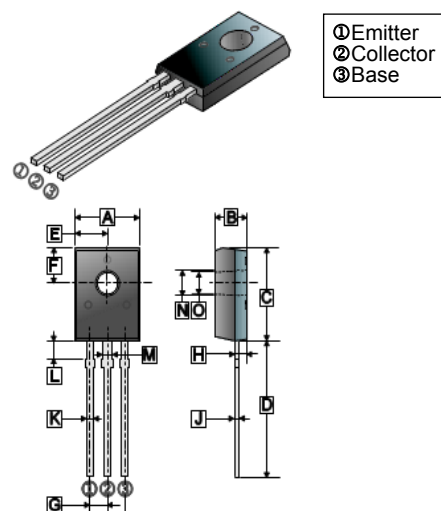
FEATURES

- Low frequency power amplifier
- High Current
- Low Speed Switching

CLASSIFICATION OF h_{FE}

Product-Rank	B772C-R	B772C-O	B772C-Y	B772C-GR
Range	60~120	100~200	160~320	200~400

TO-126C



REF.	Millimeter		REF.	Millimeter	
	Min.	Max.		Min.	Max.
A	7.80	8.20	H	0.80	1.60
B	3.00	3.40	J	0.45	0.60
C	10.80	11.20	K	0.66	0.86
D	15.30	15.70	L	1.30	1.50
E	3.90	4.10	M	1.17	1.37
F	4.04	4.24	N	3.10	3.30
G	2.28 TYP.		O	2.70	2.90

ABSOLUTE MAXIMUM RATINGS ($T_A=25^\circ\text{C}$ unless otherwise specified)

Parameter	Symbol	Rating	Unit
Collector to Base Voltage	V_{CBO}	-40	V
Collector to Emitter Voltage	V_{CEO}	-30	V
Emitter to Base Voltage	V_{EBO}	-6	V
Collector Current - Continuous	I_C	-3	A
Collector Power Dissipation	P_C	1.25	W
Junction, Storage Temperature	T_J, T_{STG}	-55~150	$^\circ\text{C}$

ELECTRICAL CHARACTERISTICS ($T_A=25^\circ\text{C}$ unless otherwise specified)

Parameter	Symbol	Min.	Typ.	Max.	Unit	Test Conditions
Collector to Base Breakdown Voltage	$V_{(BR)CBO}$	-40	-	-	V	$I_C = -100\mu\text{A}, I_E = 0$
Collector to Emitter Breakdown Voltage	$V_{(BR)CEO}$	-30	-	-	V	$I_C = -10\text{mA}, I_B = 0$
Emitter to Base Breakdown Voltage	$V_{(BR)EBO}$	-6	-	-	V	$I_E = -100\mu\text{A}, I_C = 0$
Collector Cut - Off Current	I_{CBO}	-	-	-1	μA	$V_{CB} = -40\text{V}, I_E = 0$
Collector Cut - Off Current	I_{CEO}	-	-	-10	μA	$V_{CE} = -30\text{V}, I_B = 0$
Emitter Cut - Off Current	I_{EBO}	-	-	-1	μA	$V_{EB} = -6\text{V}, I_C = 0$
DC Current Gain	h_{FE}	60	-	400		$V_{CE} = -2\text{V}, I_C = -1\text{A}$
		32	-	-		$V_{CE} = -2\text{V}, I_C = -100\text{mA}$
Collector to Emitter Saturation Voltage	$V_{CE(sat)}$	-	-	-0.5	V	$I_C = -2\text{A}, I_B = -200\text{mA}$
Base-emitter saturation voltage	$V_{BE(sat)}$	-	-	-1.5	V	$I_C = -2\text{A}, I_B = -200\text{mA}$
Transition Frequency	f_T	50	-	-	MHz	$V_{CE} = -5\text{V}, I_C = -100\text{mA}$ $f = 10\text{MHz}$

CHARACTERISTIC CURVES

