

40mm sq.

San Ace 40

10mm thick, 15mm thick (GA type), 15mm thick,
20mm thick (GA type), 20mm thick
28mm thick (GA type), 28mm thick (GE type)
28mm thick (GV type), 28mm thick



General Specifications

- Material Frame: Plastics (Flammability: UL94V-0),
Impeller: Plastics (Flammability: UL94V-0)
- Expected Life Refer to specifications (L10:Survival rate:90% at 60°C ,
rated voltage, and continuously run in a free air state)
- Lead Wire ⊕red ⊖black or blue (Sensor) yellow
- Storage Temperature -20°C to +70°C (Non-condensing)

40×40×28mm (Mass : 50g) **GV type**

Specifications

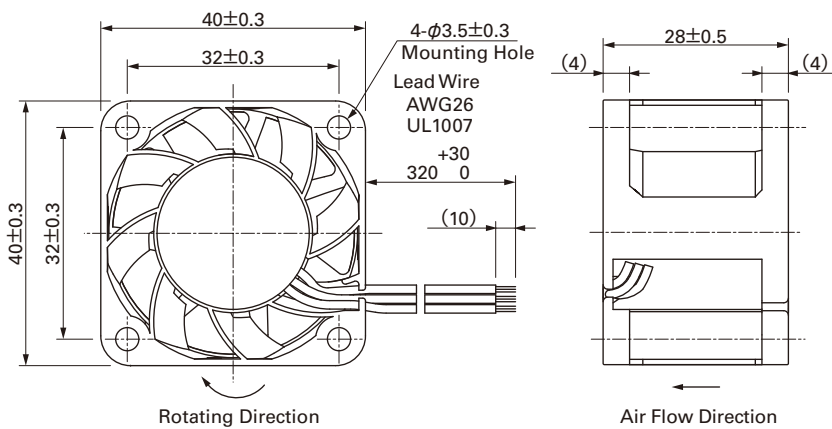
The following nos. **have pulse sensors and ribs**. For ribless, append "1" to the model no.

Model No.	Rated Voltage [V]	Operating Voltage Range [V]	Rated Current [A]	Rated Input [W]	Rated Speed [min ⁻¹]	Max. Air Flow [m ³ /min] [CFM]	Max. Static Pressure [Pa] [inchH ₂ O]	SPL [dB(A)]	Operating Temperature [°C]	Expected Life [h]
9GV0412K301	12	10.8 to 12.6	0.84	10.08	16,500	0.76 26.8	415 1.668	58	- 20 to +60	40,000
9GV0412J301		7 to 13.2	0.60	7.20	14,700	0.68 24.0	330 1.325	55		
9GV0412G301			0.47	5.64	13,000	0.60 21.1	260 1.044	52		
9GV0412H301			0.31	3.72	11,600	0.53 18.7	207 0.831	49		
9GV0412C301			0.15	1.80	8,300	0.37 13.1	100 0.402	41	- 20 to +70	

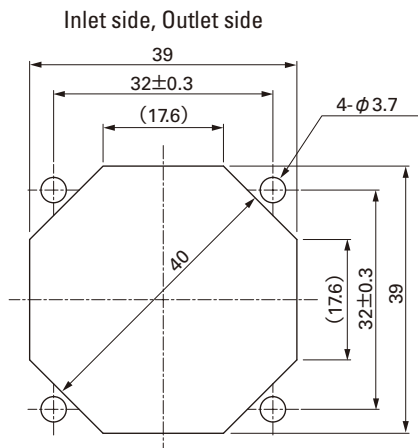
Available options: ⇒ **Without Sensor**

Please inquire as the availability of these functions depend on the model. ⇒ **Lock Sensor** **PWM Control**

Dimensions (Unit : mm) (With ribs)



Reference dimension of mounting holes and vent opening (Unit : mm)

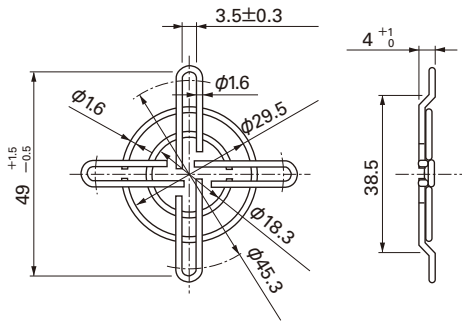


Options (Unit : mm)

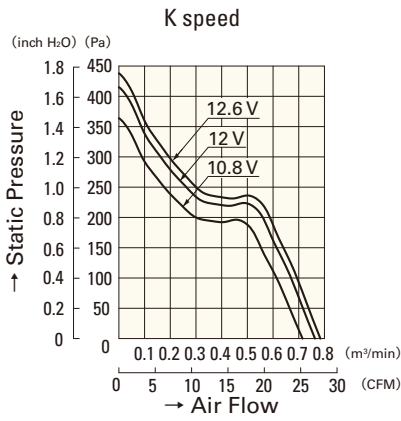
Finger guards

Model : 109-059 Surface treatment : Nickel-chrome plating (silver) Color

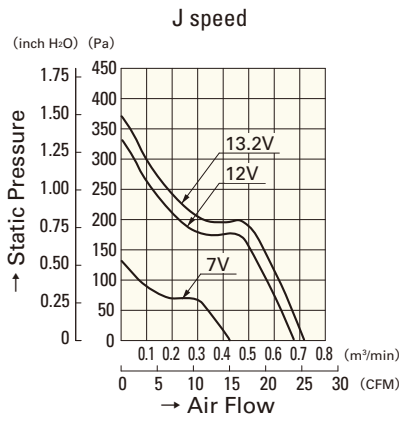
Inlet side, Outlet side



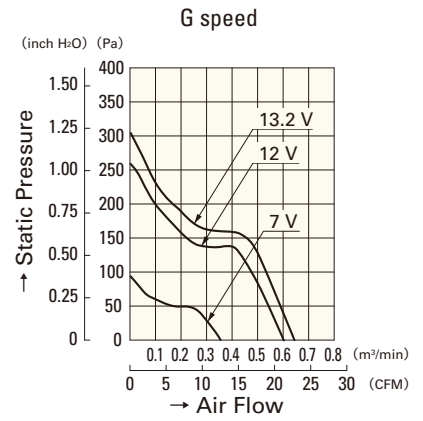
Air Flow - Static Pressure Characteristics



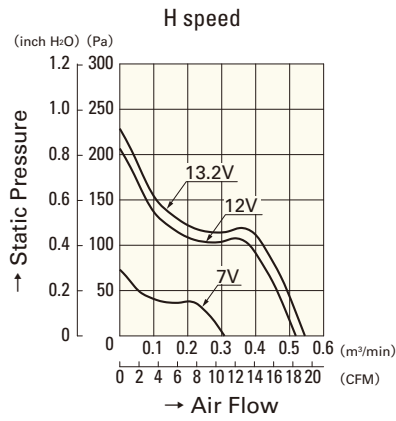
9GV0412K301



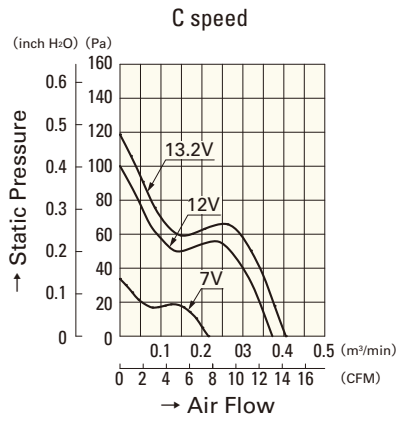
9GV0412J301



9GV0412G301



9GV0412H301



9GV0412C301