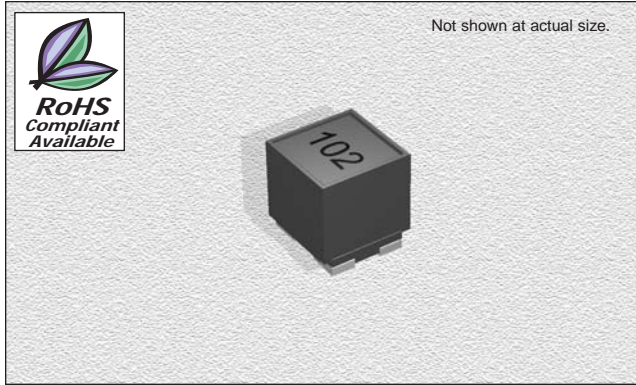


CTDLW5B Series

From 190 Ω to 3000 Ω



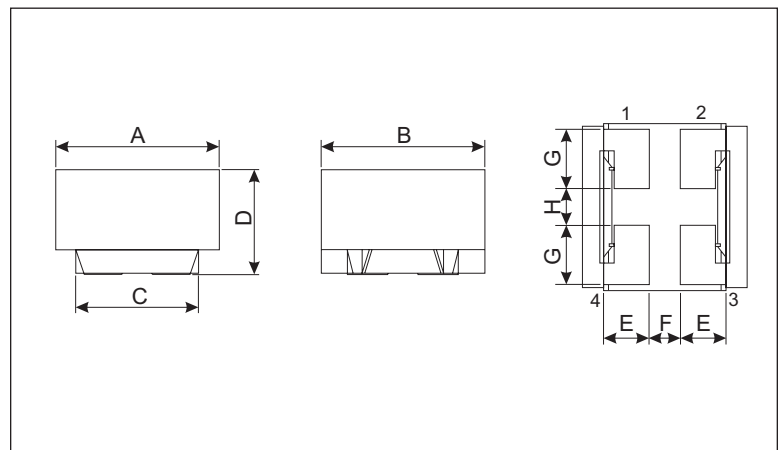
SPECIFICATIONS

Impedance tolerance ±25%
 CTDLW5BE Please specify "F" for RoHS Compliant

Part Number	Impedance 100MHz (Ω)	Rated Current (mA)	DCR Max. (mΩ)	Rated Voltage (Vdc)	Insulation Resistance (Ω) Min.
CTDLW5B_-191	190	5000	20	50	10M
CTDLW5B_-351	350	2000	40	50	10M
CTDLW5B_-102	1000	1500	60	50	10M
CTDLW5B_-152	1500	1000	100	50	10M
CTDLW5B_-302	3000	500	130	50	10M

PHYSICAL DIMENSIONS

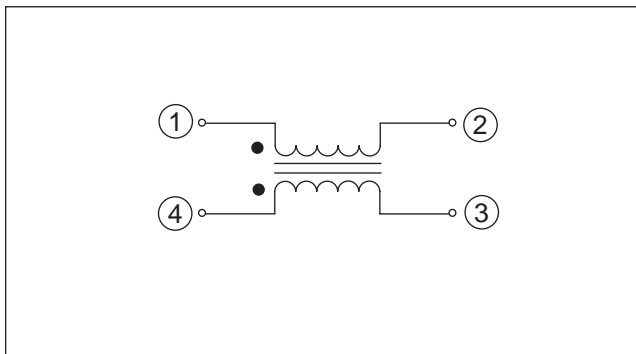
Size	A	B	C	D Max.	E	F	G	H
mm	5.0±0.3	5.0±0.3	3.6±0.3	5.0	1.3±0.3	0.9±0.3	1.7±0.3	1.3±0.3
inches	.19±.01	.19±.01	.14±.01	.19	.05±.01	.04±0.01	.07±.01	.05±.01



CHARACTERISTICS

- Description:** SMD Common Mode Choke
- Applications:** Ideal for DC power lines in AC adapters of portable equipment.
- Operating Temperature:** -25°C to +85°C
- Impedance Tolerance:** ±25%
- Testing:** Tested on a HP4285A at 100MHz
- Packaging:** Tape & Reel
- Marking:** Parts are marked with impedance code
- Miscellaneous:** RoHS Compliant available
- Additional Information:** Additional electrical & physical information available upon request
- Samples available. See website for ordering information.**

EQUIVALENT CIRCUIT



02.07.06