

RFMD®

RFPA2013 and RFPA2189

GaAs HBT Power Amplifier, 0.5W, 400 to 2700MHz



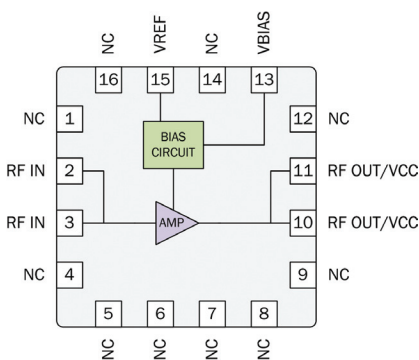
The RFPA2189 and RFPA2013 from RFMD are equivalent amplifiers packaged in a SOT-89 and 3 x 3mm QFN, respectively. Specifically designed for wireless infrastructure applications, the RFPA2189 is a single-stage GaAs HBT power amplifier (PA). The device offers ultra-linear operation at a comparably low DC power, making it ideal for next-generation radios that require high efficiency. External matching for the RFPA2189 allows for use across various radio platforms within the 400 to 2700MHz range. The device also offers low noise figure, making it an excellent solution for second- and third-stage low noise amplifiers (LNAs).

SPECIFICATIONS

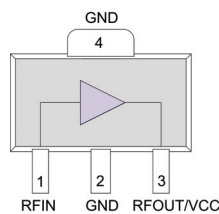
*Freq Range (MHz)	Noise Figure (dB)	Gain (dB)	P1dB (dBm)	OIP3 (dBm)	Vcc (V)	Package (mm)	Availability	Part Number
400 to 2700	3.8	15.7	27.0	41.5	5.0	3 x 3 QFN	NOW	RFPA2013
400 to 2700	2.8	19.5	27.5	43.0	5.0	SOT-89	NOW	RFPA2189

*Data measured at 2140MHz

RFPA2013



RFPA2189



FEATURES

- -60dBc APCR at 16dBm WCDMA
- 0.5W output power (P1dB)
- Excellent linearity to DC power ratio
- Noise figure = 3.0dB at 880MHz
- Single supply 5V operation
- Class 1C (1000V) HBM ESD
- RFPA2013 offers power-down capabilities
- Applications include: GaAs pre-driver for base station amplifiers; PA stage for commercial wireless infrastructure; 2nd- or 3rd-stage LNAs; class AB operation for GSM, DCS, PCS, UMTS, WiMAX, LTE transceiver applications

Order RFMD® products online at www.rfmd.com/rfmdExpress.

For sales or technical support, contact your authorized local sales representative (see www.rfmd.com/globalsales).

Register to receive RFMD's latest product releases with our Email Component Alerts at www.rfmd.com/emailalert.

7628 Thorndike Rd., Greensboro, NC 27409-9421 USA • Phone 336.664.1233



These products comply with RFMD's green packaging standards.

RFMD® is a trademark of RFMD, LLC. All other trade names, trademarks and registered trademarks are the property of their respective owners. ©2011 RFMD.

MPG.RFPA2189.0611.175



Mobility. Connectivity. Energy.