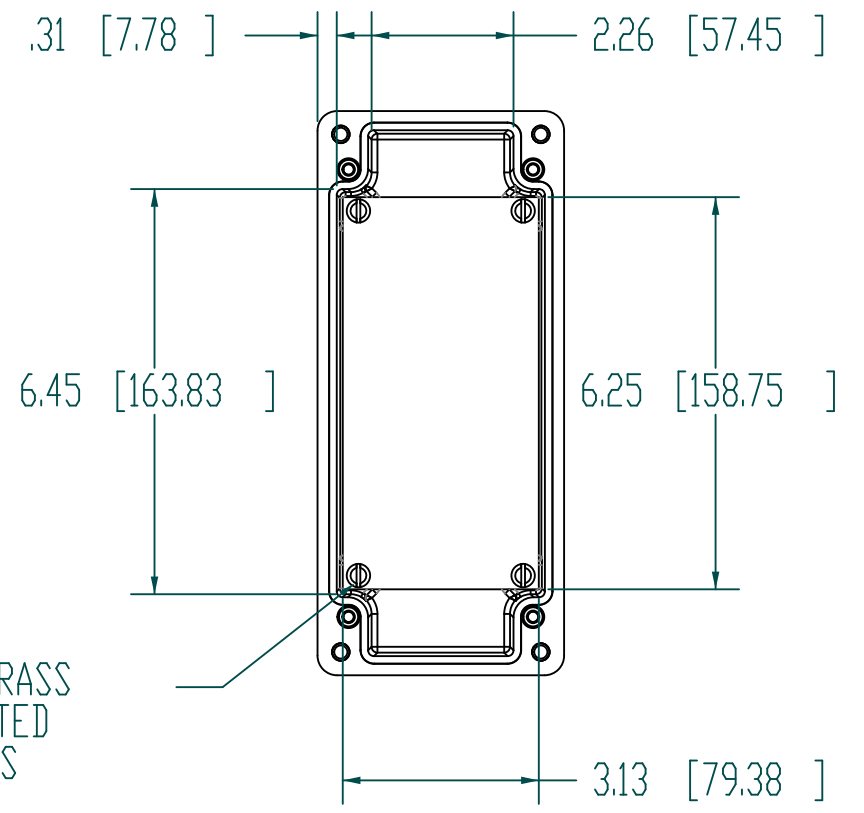
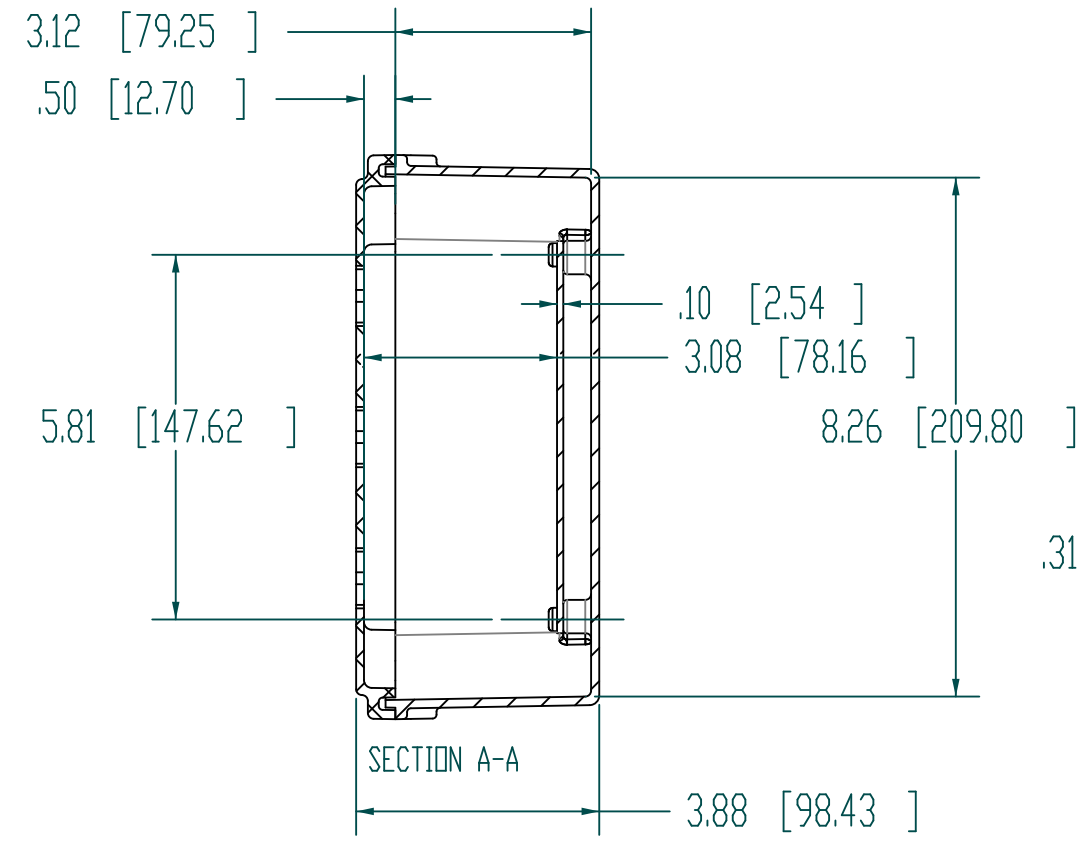
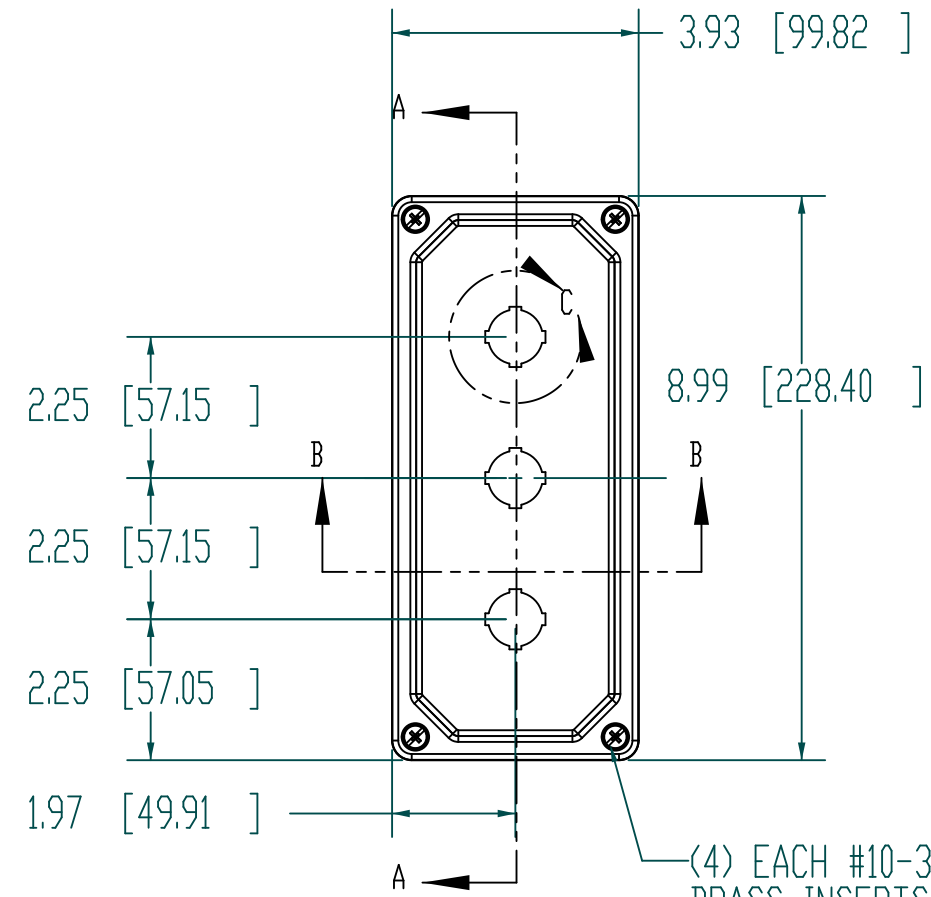
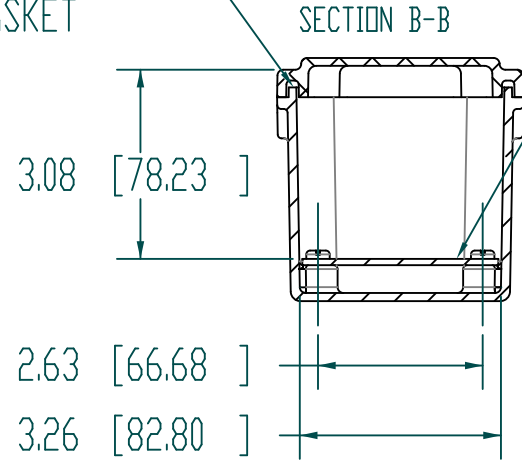


DATE	REV.	DESCRIPTION	DR	CK	REL

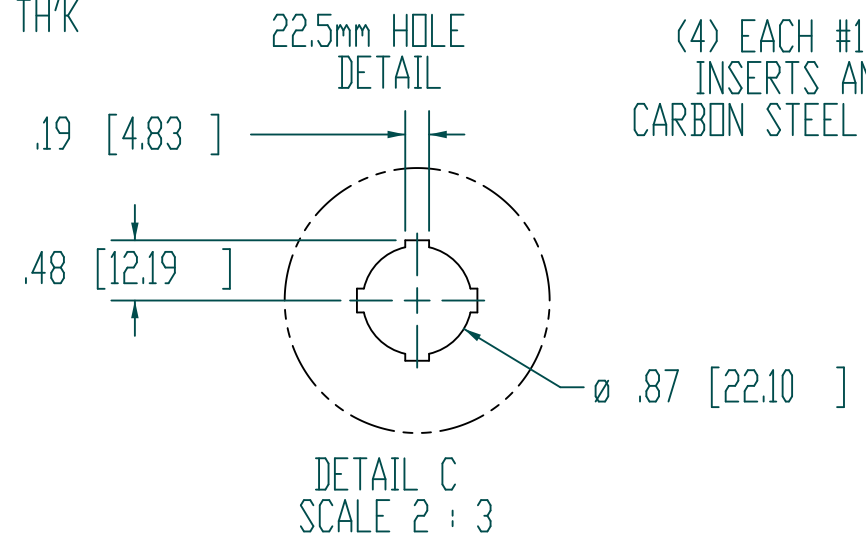


(4) EACH #10-32 BRASS INSERTS, AND STAINLESS STEEL COVER SCREWS

CLOSED CELL NEOPRENE GASKET

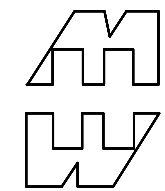


OPTIONAL BACK PANEL ALUMINUM- 0.100 TH'K FIBERGLASS- 0.125 TH'K



(4) EACH #10-32 BRASS INSERTS AND PLATED CARBON STEEL SCREWS

MATERIAL:
BOX & COVER- COMPRESSION MOLDED FIBERGLASS REINFORCED POLYESTER



PART No. PJ944P223
for more information visit
www.hammfg.com
Data subject to change without notice
Drawing Not to Scale