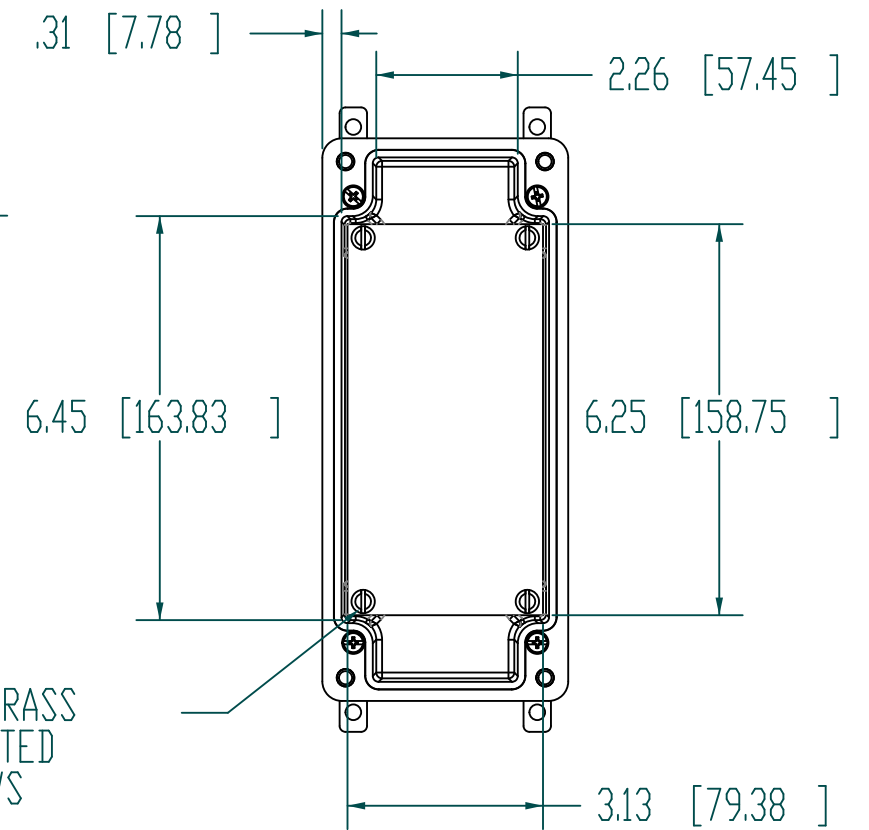
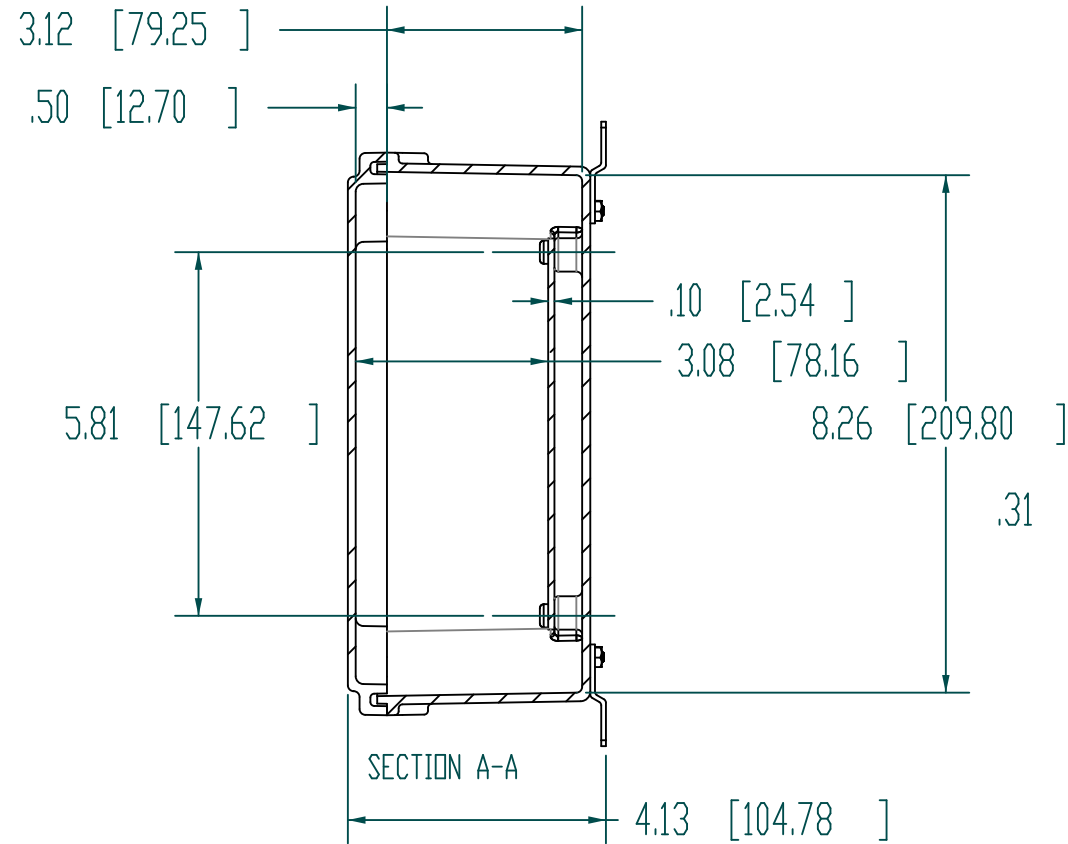
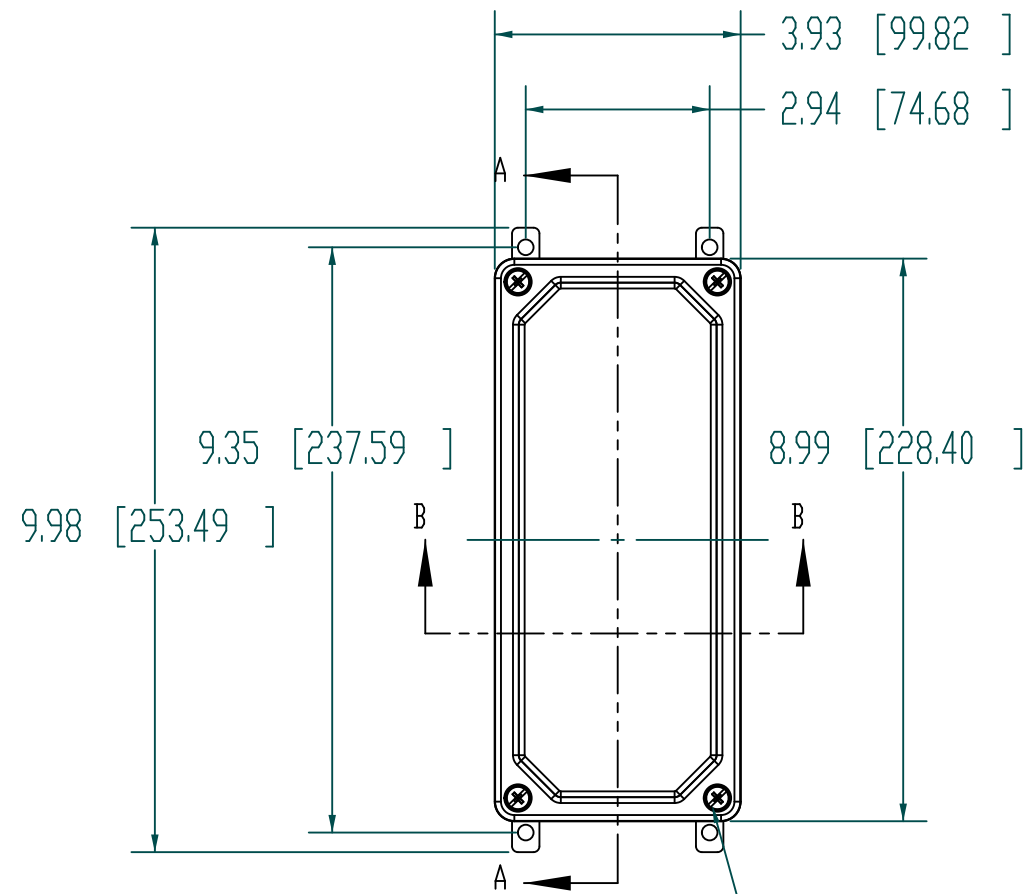
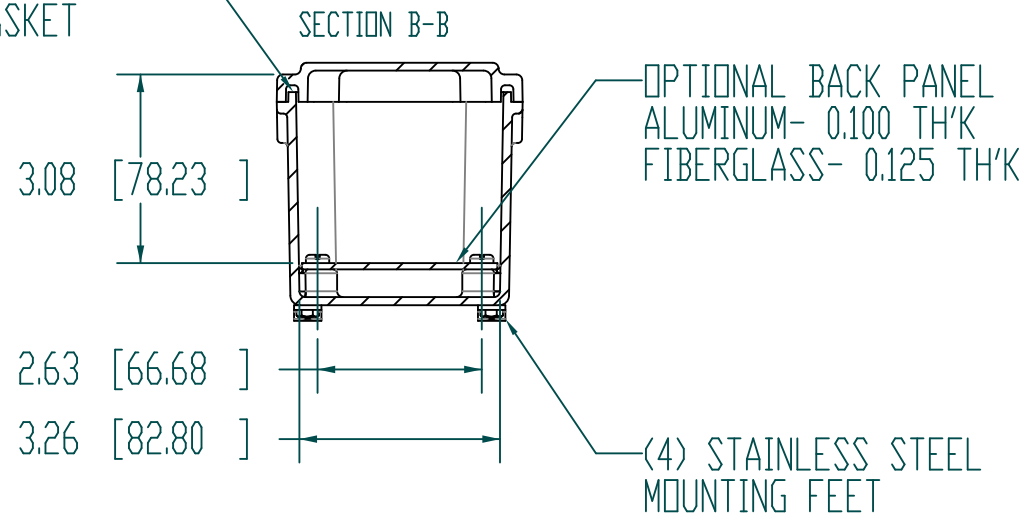


DATE	REV.	DESCRIPTION	DR	CK	REL



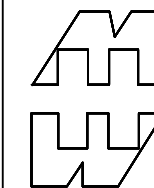
(4) EACH #10-32  
BRASS INSERTS,  
AND STAINLESS STEEL  
COVER SCREWS

CLOSED CELL  
NEOPRENE  
GASKET



(4) EACH #10-32 BRASS  
INSERTS AND PLATED  
CARBON STEEL SCREWS

MATERIAL:  
BOX & COVER- COMPRESSION MOLDED FIBERGLASS REINFORCED POLYESTER



PART No. PJ944  
for more information visit  
[www.hammfg.com](http://www.hammfg.com)  
Data subject to change without notice  
Drawing Not to Scale