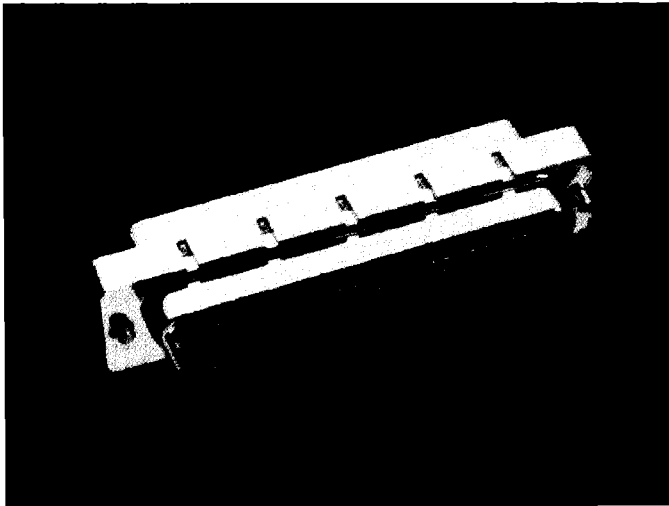


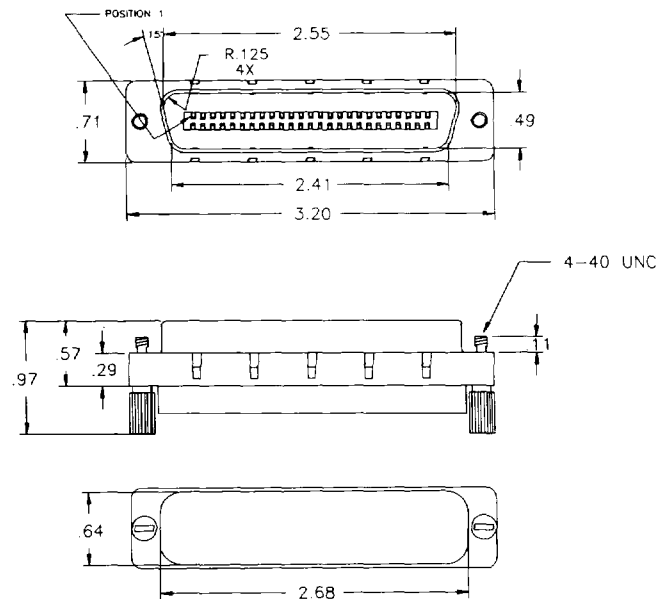
Alternative 2 SCSI External Shielded Style



DM850 (Male)



This pluggable male terminator installs onto a .085" center miniature ribbon I/O port. This device creates impedance to prevent reflection of data experienced on the cable system. It is used as end termination, providing there are at least two (2) I/O ports available on the final peripheral device.



Features

- Mechanical polarization for proper orientation
- 100% electrically tested
- Press-fit technology
- Custom configurations available
- .085" Contact spacing
- 4-40 thumb screws
- Internal shielding for electrostatic dissipation and radio frequency interference per VDE and FCC specifications
- Available with Pin 1 open (Differential)

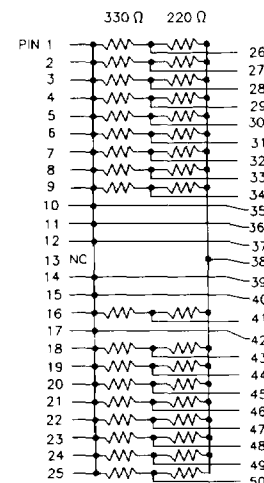
Specifications

Contact Material: Copper alloy
Contact Plating: .000030" Au/.000050" Ni Selective
Insulator Material: Thermoplastic PBT 94V-0 rated
Housing Material: Thermoplastic Cu/Ni/Cr

PART NUMBER	NO. OF ROW/POS	BUS INTERFACE DESCRIPTION
DM850-09-0	25/50	SCSI SINGLE-ENDED
DM850-08-0	25/50	SCSI DIFFERENTIAL

Standard Terminations

Single Ended



Differential

