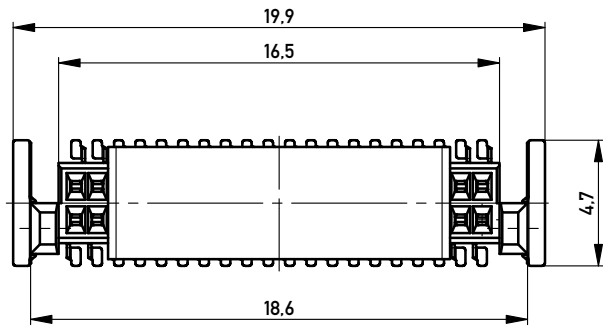
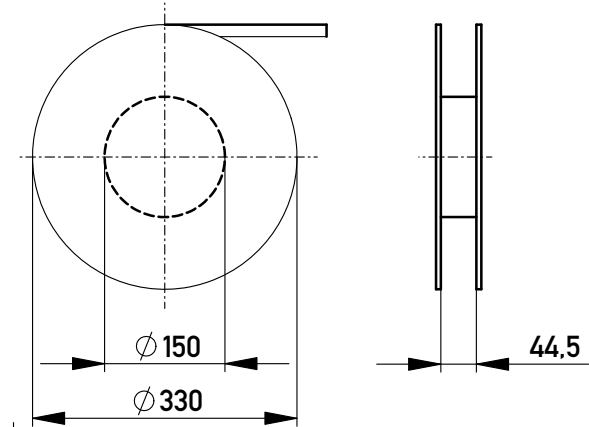
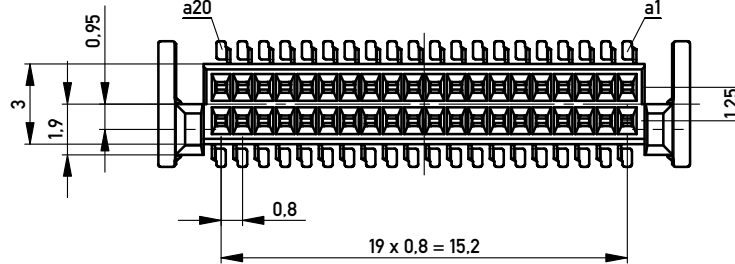


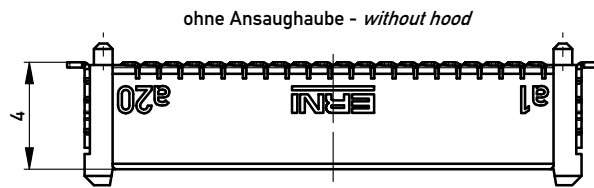
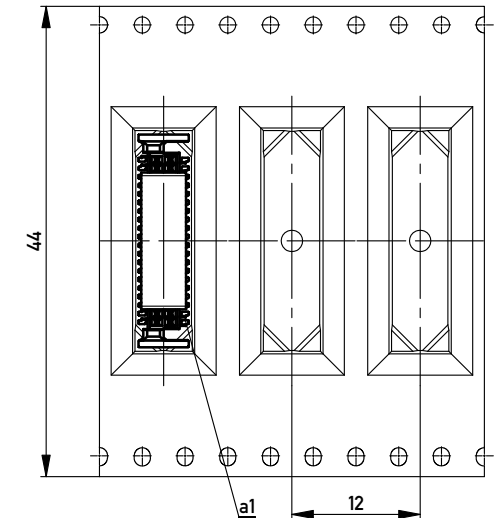
Verpackt in Gurtverpackung - Tape on Reel Packaging
 Verpackungseinheit: 840 Stück - Packaging unit: 840 pcs



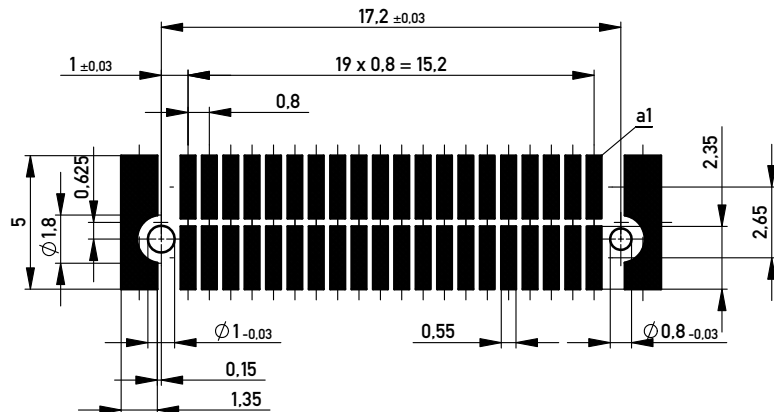
ohne Ansaughaube - without hood



Abspulrichtung - Reel off Direction



Leiterplatten-Layout Vorschlag für SMT
 PCB-Layout Proposal for SMT



Anforderungsstufe 2
 Performance Level 2

Kontaktbereich vergoldet
 Mating Area gold plating

Anschlussbereich verzinkt 4-6 µm
 Terminal Area 4-6 µm tin plating

Koplanarität der Anschlüsse ≤ 0.1 mm
 Coplanarity Area of Termination ≤ 0.1 mm

Copyright by ERNI GmbH
 Proprietary notice pursuant to ISO 9006 to be observed.

Information:		Tolerances	Scale 5:1
All rights reserved. Only for Information. To ensure that this is the latest version of this drawing, please contact one of the ERNI companies before using.		All Dimensions in mm	
Subject to modification without prior notice. Drawing will not be updated.		Designation	
www.ERNI.com		0,8 DRC-B, F 4mm, 40 polig 0,8 DRC-B, F 4mm, 40 pin	
ERNI		294005	
Index	Date	Class	DRCB
			I A3